



US00D718064S

(12) **United States Design Patent**
Chamberlain

(10) **Patent No.:** **US D718,064 S**

(45) **Date of Patent:** **** Nov. 25, 2014**

(54) **SHOE LACE HOLDER**

(56) **References Cited**

(71) Applicant: **Lacejam Limited**, Upper Hut (NZ)

U.S. PATENT DOCUMENTS

(72) Inventor: **Peter Brett Chamberlain**, Upper Hunt (NZ)

D281,036 S *	10/1985	Martin, Jr.	D6/315
D552,796 S *	10/2007	Petruccelli	D28/73
7,806,629 B2 *	10/2010	McCoy	405/184.4
D649,791 S *	12/2011	Holzapfel	D6/323
D656,731 S *	4/2012	Brusa	D3/318

(73) Assignee: **Lacejam Limited**, Upper Hutt (NZ)

* cited by examiner

(**) Term: **14 Years**

Primary Examiner — Derrick Holland

(21) Appl. No.: **29/485,312**

Assistant Examiner — Lauren Calve

(22) Filed: **Mar. 18, 2014**

(74) *Attorney, Agent, or Firm* — Inventa Capital PLC

(30) **Foreign Application Priority Data**

(57) **CLAIM**

Sep. 26, 2013 (NZ) 418098

I claim the ornamental design for a shoe lace holder, as shown and described.

(51) **LOC (10) Cl.** **06-08**

DESCRIPTION

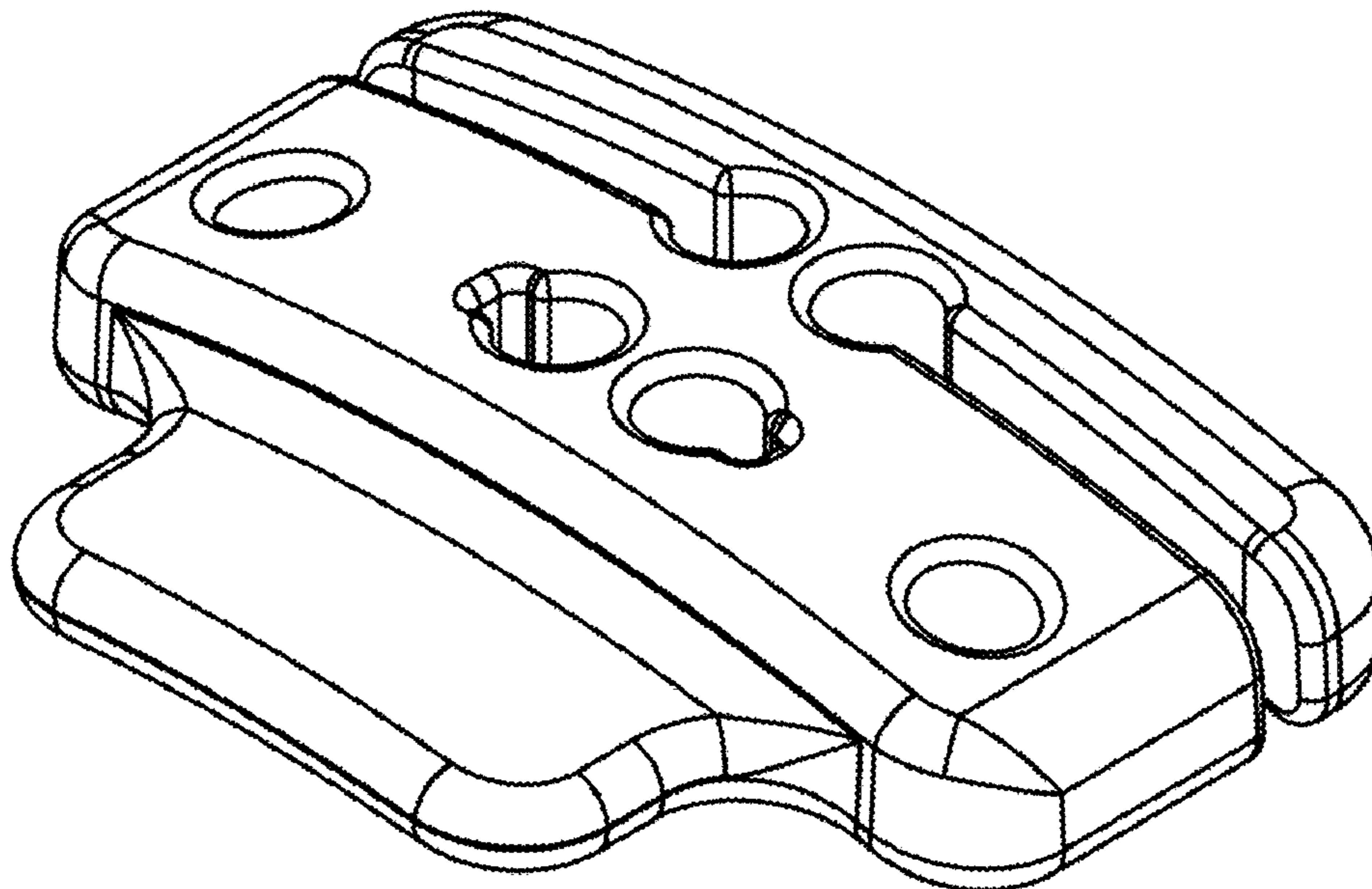
(52) **U.S. Cl.**
USPC **D6/315**

(58) **Field of Classification Search**
CPC A47G 25/28; A47G 25/36; A47G 25/34;
A47G 29/00; A47G 33/10
USPC D6/315-328; 223/85-98; 211/10, 13.1,
211/60.1, 61, 85.3, 85.5, 86.01, 113, 119;
D2/978; D3/200, 201, 306, 310, 318;
248/682, 690, 691, 903

FIG. 1 is a perspective view of a shoe lace holder;
FIG. 2 is a top view of the shoe lace holder;
FIG. 3 is a bottom view of the shoe lace holder;
FIG. 4 is a right side view of the shoe lace holder;
FIG. 5 is a left side view of the shoe lace holder;
FIG. 6 is a front view of the shoe lace holder; and,
FIG. 7 is a back view of the shoe lace holder.

See application file for complete search history.

1 Claim, 3 Drawing Sheets



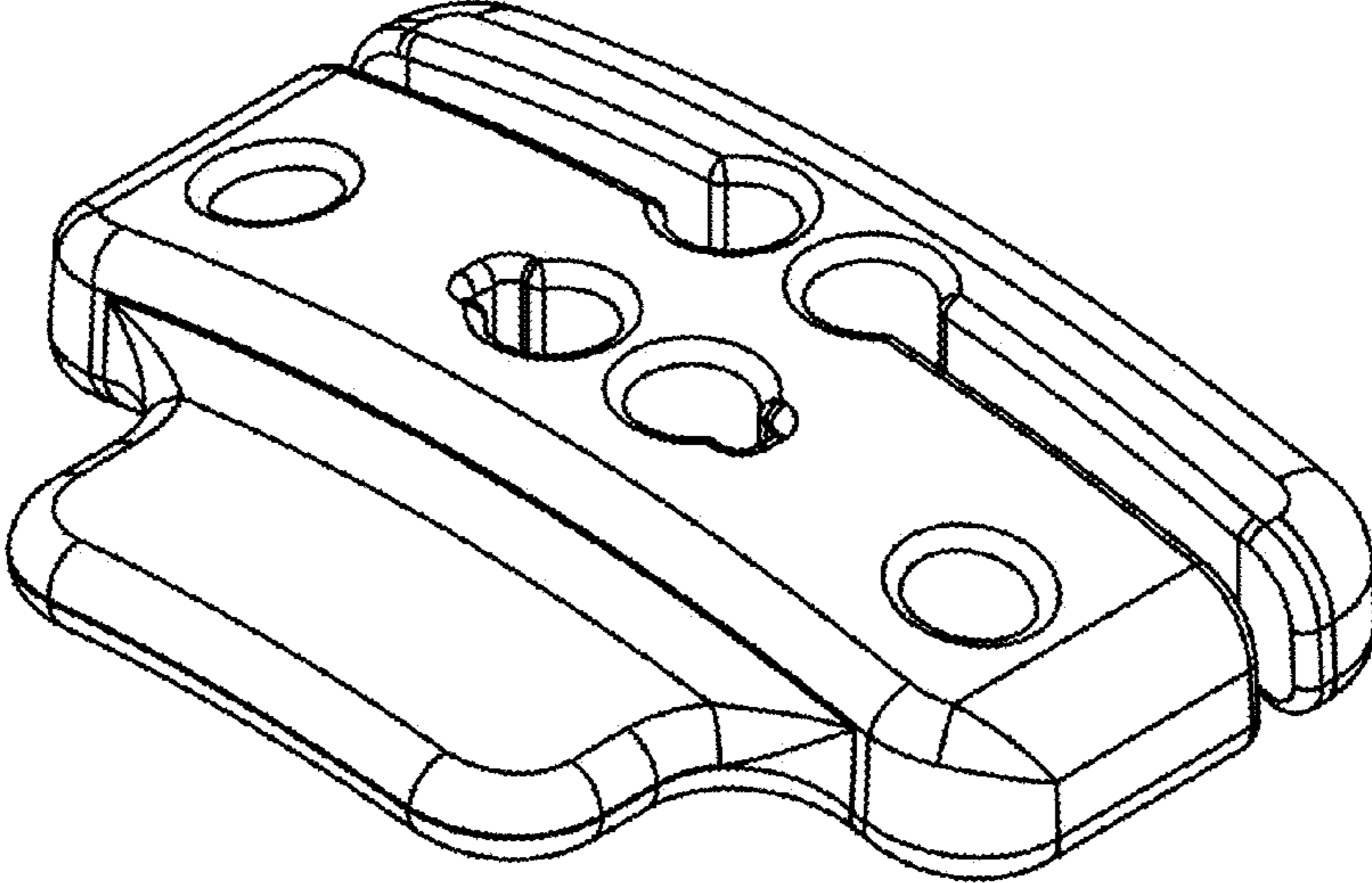


FIGURE 1

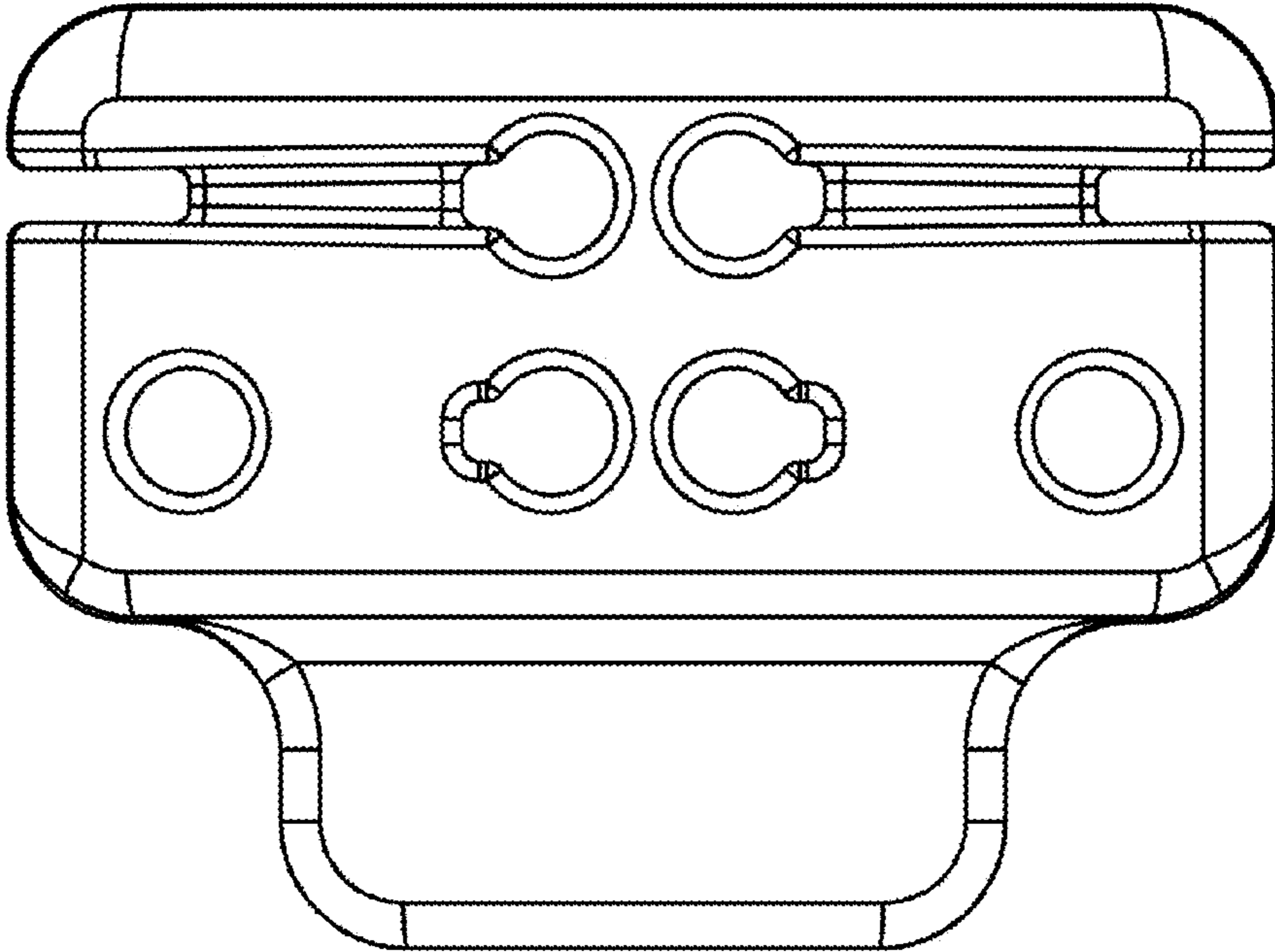


FIGURE 2

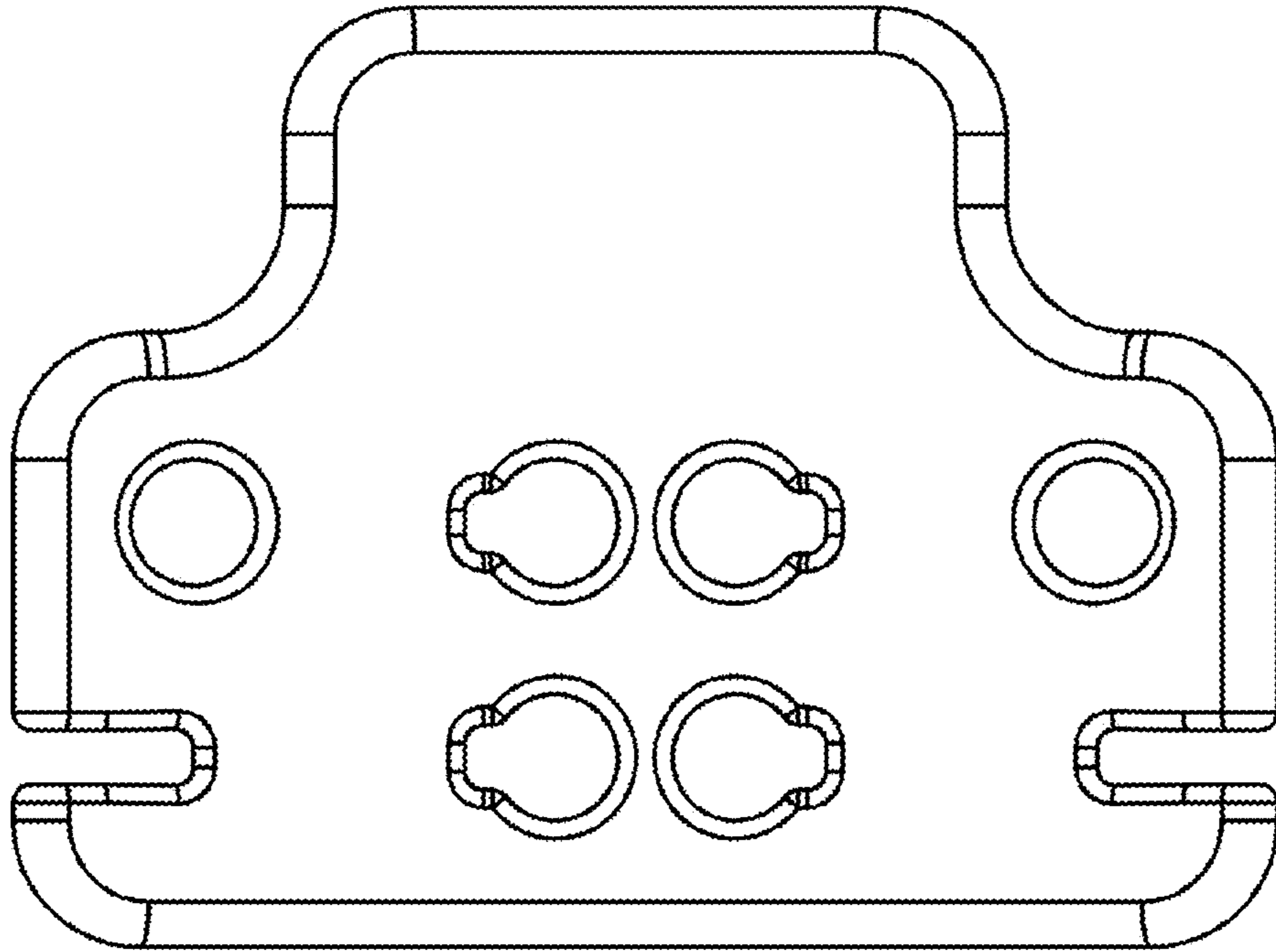


FIGURE 3

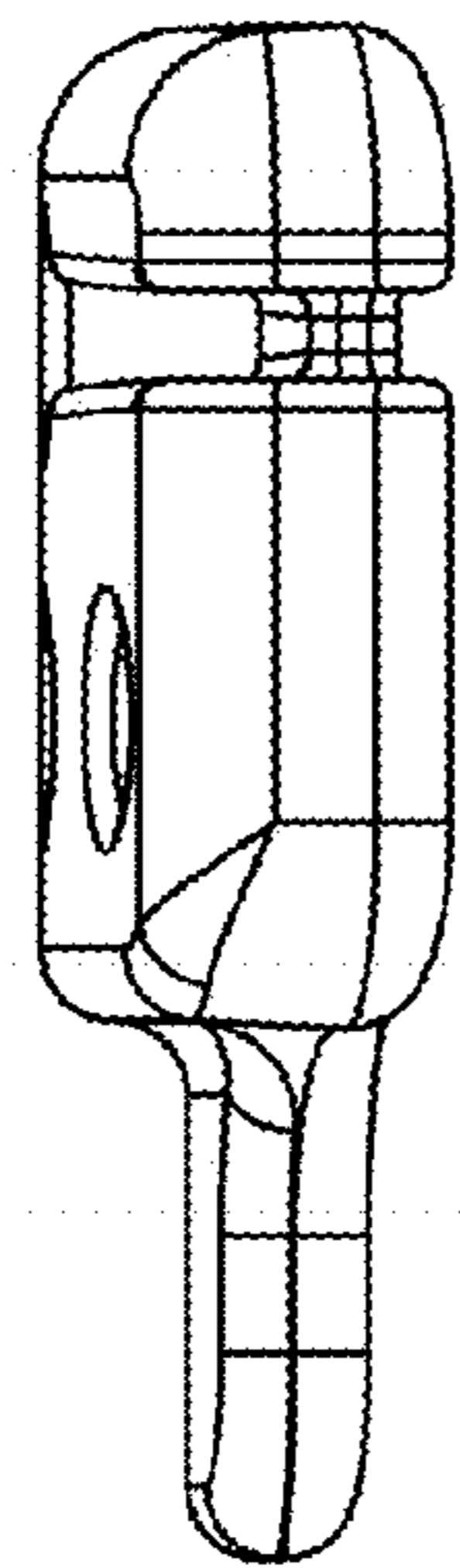


FIGURE 4

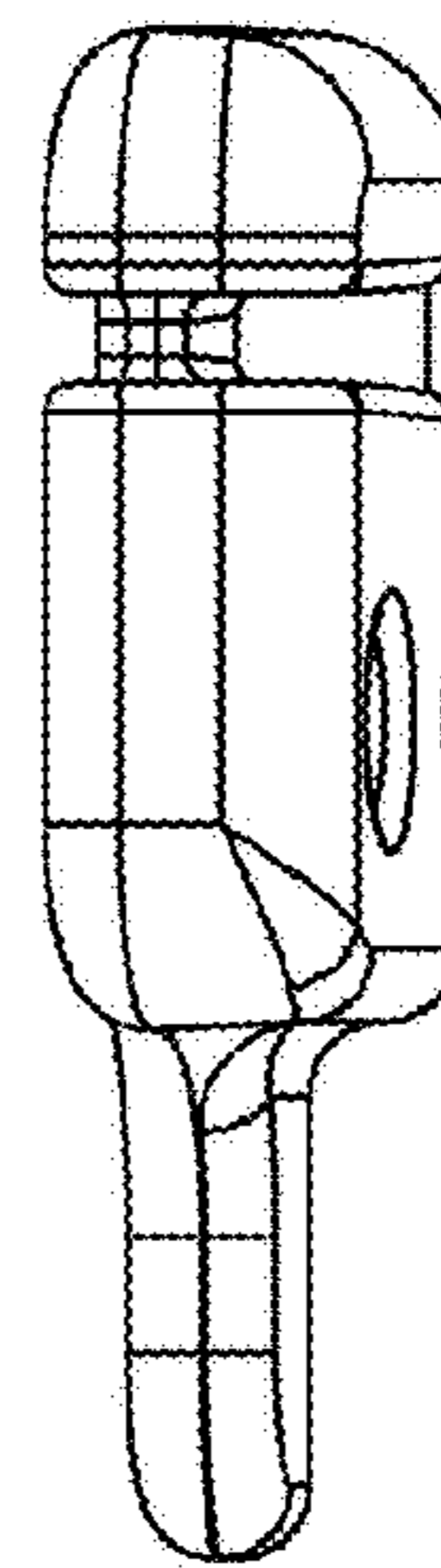


FIGURE 5

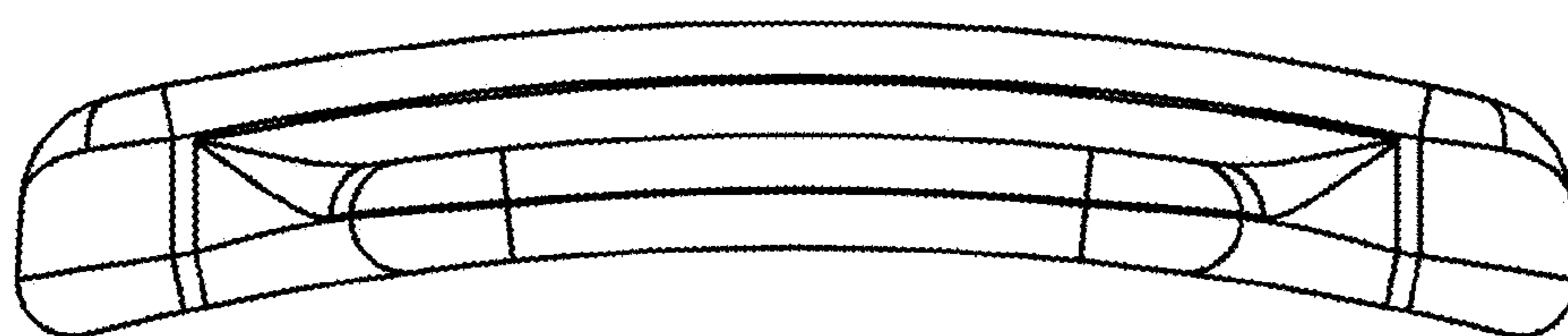


FIGURE 6



FIGURE 7