



US00D718063S

(12) **United States Design Patent**  
**Lee**

(10) **Patent No.:** **US D718,063 S**  
(45) **Date of Patent:** **\*\* Nov. 25, 2014**

(54) **HOLDER FOR STRAIGHT TIES AND BOW TIES**

(71) Applicant: **In Y. Lee**, Flushing, NY (US)

(72) Inventor: **In Y. Lee**, Flushing, NY (US)

(\*\*) Term: **14 Years**

(21) Appl. No.: **29/455,670**

(22) Filed: **May 23, 2013**

(51) **LOC (10) CL.** ..... **06-08**

(52) **U.S. Cl.**  
USPC ..... **D6/315**

(58) **Field of Classification Search**  
CPC ..... A47G 25/28; A47G 25/32; A47G 25/743;  
A47G 25/36; A47G 25/34; A47G 25/74;  
A47G 25/905; A47F 5/0006; A47F 7/00;  
A47F 7/19; A47F 7/0028  
USPC ..... D6/315-328; 223/85-98; 211/10, 13.1,  
211/85.2, 87.01, 113  
See application file for complete search history.

(56) **References Cited**

**U.S. PATENT DOCUMENTS**

2,626,735 A \* 1/1953 Gwinn et al. .... 223/87  
3,204,838 A \* 9/1965 Pulitzer ..... 223/87

3,243,087 A \* 3/1966 Pulitzer ..... 223/87  
D301,522 S \* 6/1989 Kolton et al. .... D6/315  
5,429,284 A \* 7/1995 Kolton et al. .... 223/85  
D447,877 S \* 9/2001 Shaffer ..... D6/315  
D672,159 S \* 12/2012 Lee ..... D6/315

\* cited by examiner

*Primary Examiner* — Derrick Holland

*Assistant Examiner* — Lauren Calve

(74) *Attorney, Agent, or Firm* — Notaro, Michalos & Zaccaria P.C.

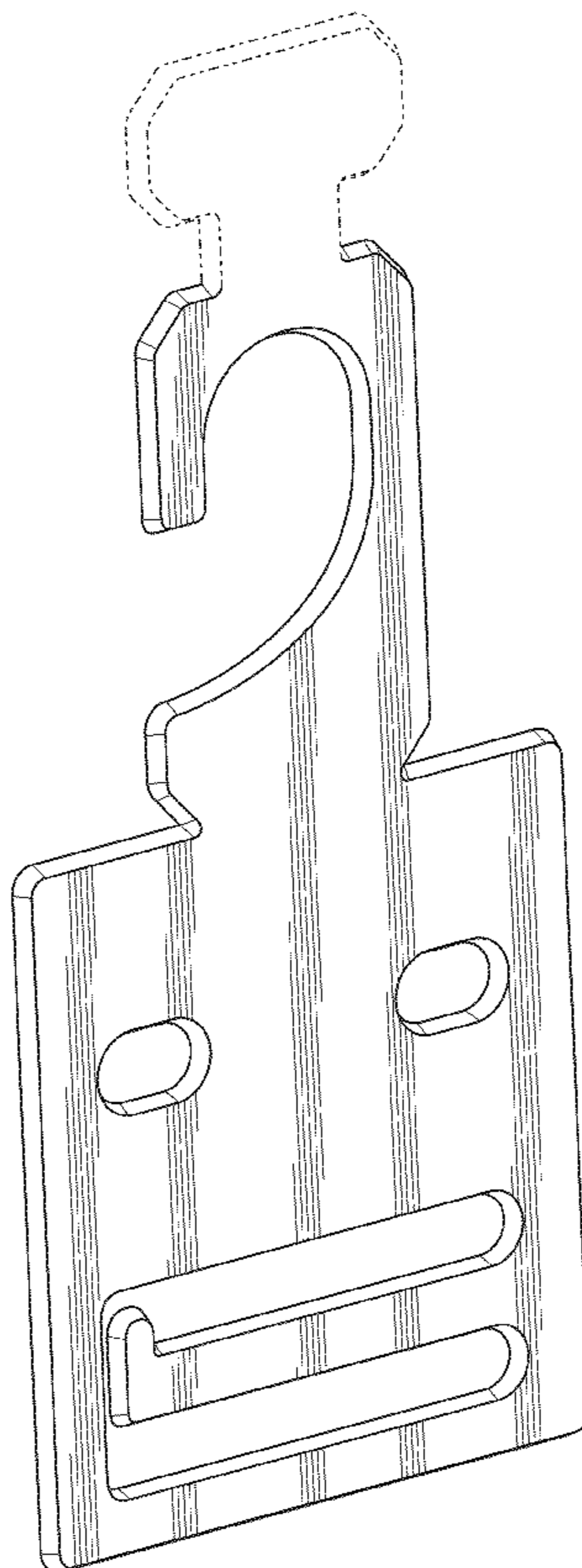
(57) **CLAIM**

The ornamental design for a holder for straight ties and bow ties, as shown and described.

**DESCRIPTION**

FIG. 1 is a front, top, right perspective view of a holder for straight ties and bow ties showing my new design; FIG. 2 is a front elevational view thereof; FIG. 3 is a rear elevational view thereof; FIG. 4 is a right side elevational view thereof; FIG. 5 is a left side elevational view thereof; FIG. 6 is a top plan view thereof; and, FIG. 7 is a bottom plan view thereof. The broken lines shown represent unclaimed subject matter and form no part of the claimed design.

**1 Claim, 5 Drawing Sheets**



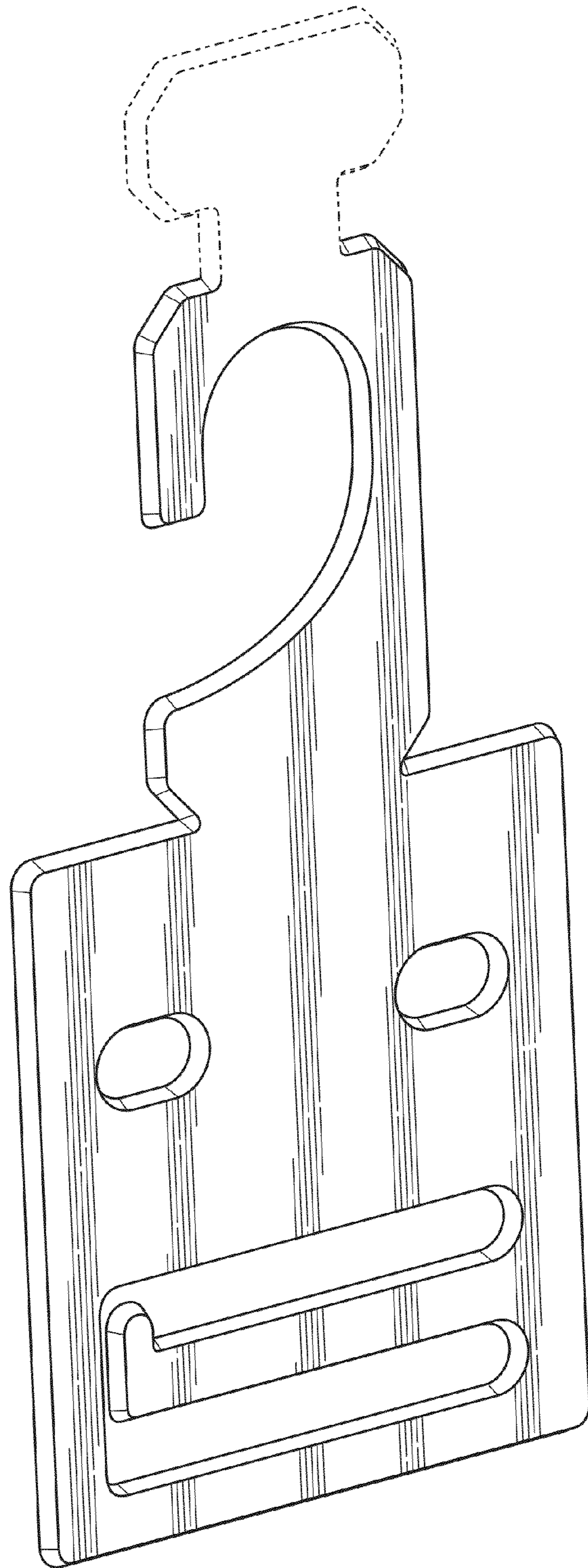


FIG. 1

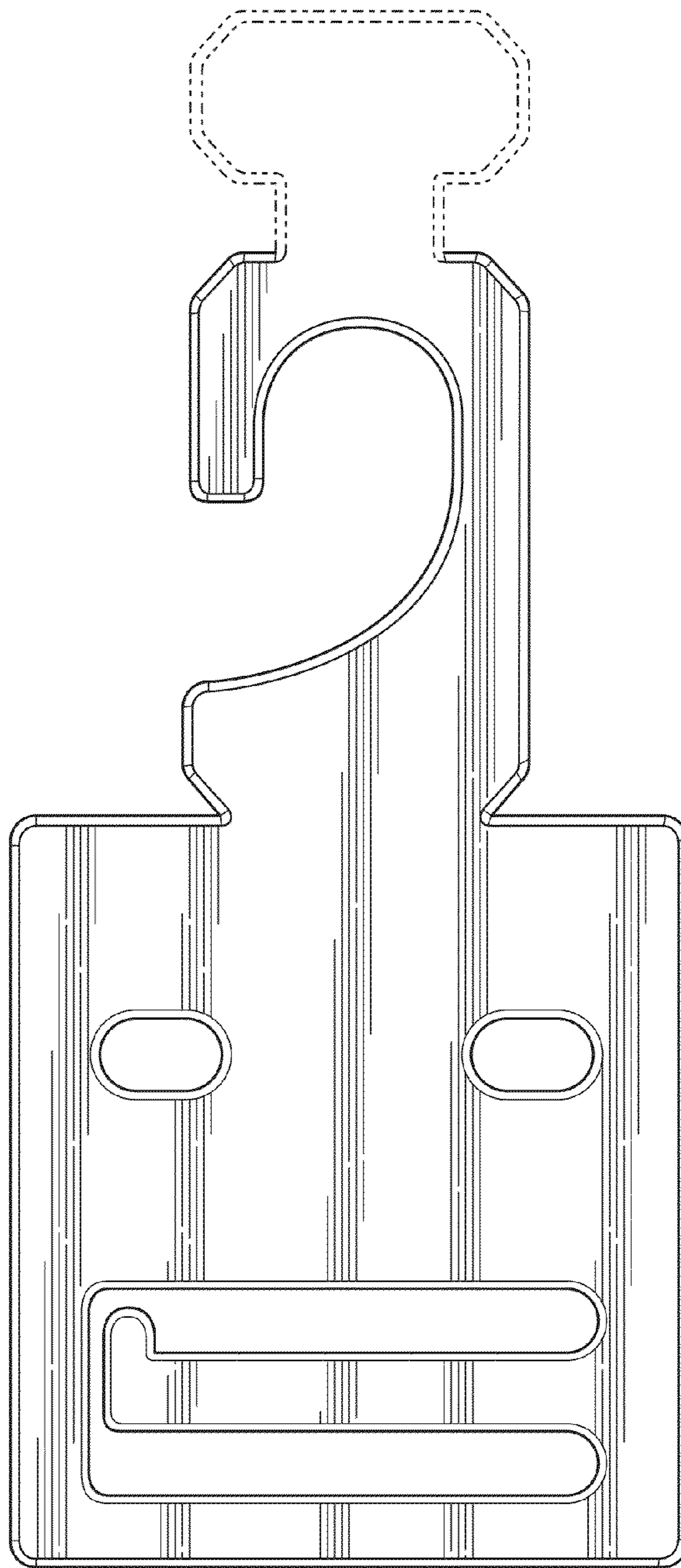


FIG. 2

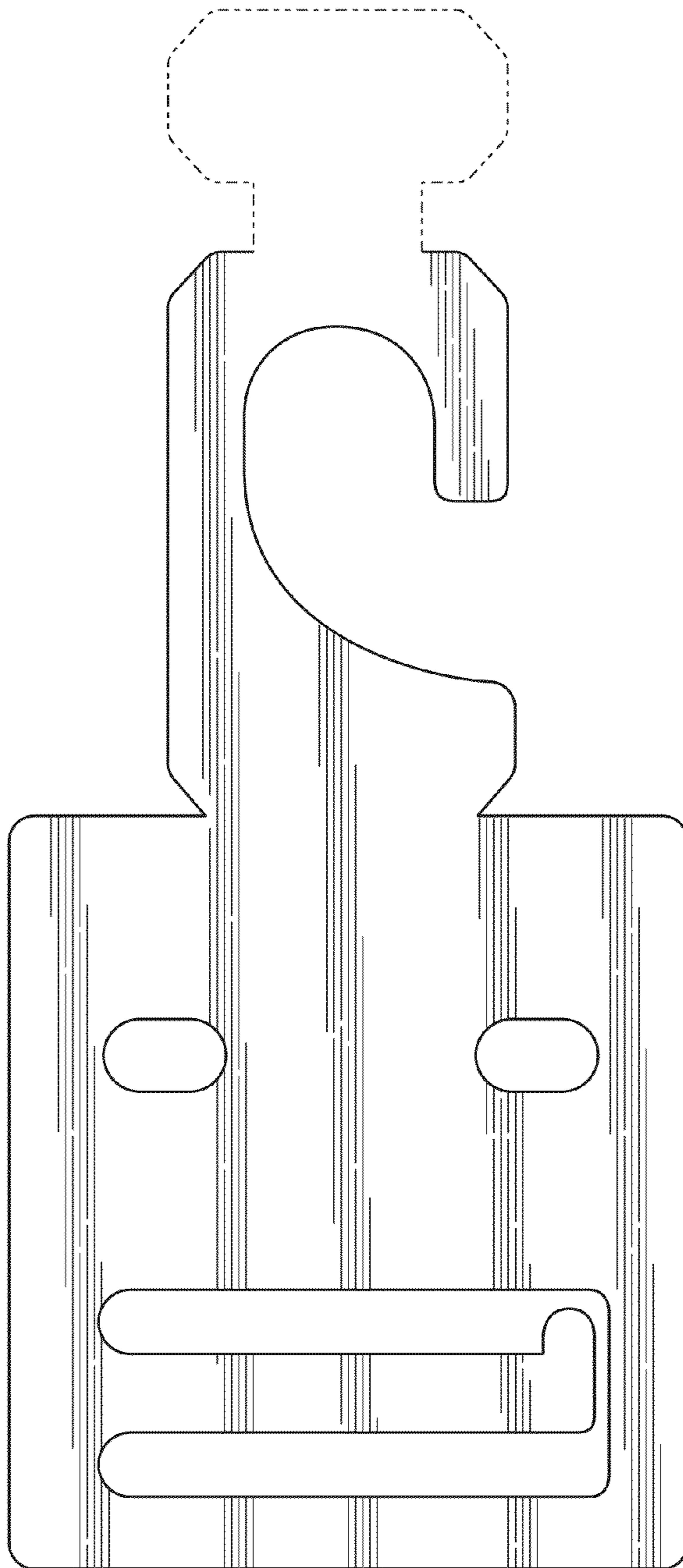


FIG. 3



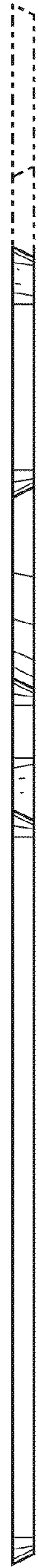


FIG. 4

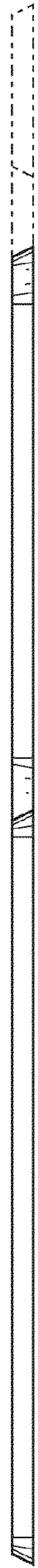


FIG. 5



FIG. 6



FIG. 7