



US00D718061S

(12) **United States Design Patent**  
**Wu**

(10) **Patent No.:** **US D718,061 S**

(45) **Date of Patent:** **\*\* Nov. 25, 2014**

(54) **HEAT PIPE**

(71) Applicant: **Asia Vital Components Co., Ltd.**, New Taipei (TW)

(72) Inventor: **Chun-Ming Wu**, New Taipei (TW)

(73) Assignee: **Asia Vital Components Co., Ltd.**, New Taipei (TW)

(\*\*) Term: **14 Years**

(21) Appl. No.: **29/481,948**

(22) Filed: **Feb. 12, 2014**

(51) **LOC (10) Cl.** ..... **23-03**

(52) **U.S. Cl.**  
USPC ..... **D5/23**

(58) **Field of Classification Search**  
USPC ..... D23/405, 407, 409, 410, 415-422, 499,  
D23/403; D7/403, 404, 407; D13/100;  
44/530, 550; 126/39 E, 144, 148, 242,  
126/243, 258, 500, 540

See application file for complete search history.

(56) **References Cited**

**U.S. PATENT DOCUMENTS**

1,412,768	A *	4/1922	Barber	.....	239/516
3,547,100	A *	12/1970	Usui	.....	126/206
D263,494	S *	3/1982	Markum et al.	.....	D23/417
5,184,948	A *	2/1993	Iwahori	.....	431/153
D395,199	S *	6/1998	Haring et al.	.....	D7/407
D443,354	S *	6/2001	Johnston	.....	D23/415
7,447,030	B2 *	11/2008	Hwang et al.	.....	361/700
7,460,370	B2 *	12/2008	Cheng et al.	.....	361/700
7,568,517	B2 *	8/2009	Hwang et al.	.....	165/80.2
7,688,590	B2 *	3/2010	Cheng et al.	.....	361/700
7,779,894	B2 *	8/2010	Peng et al.	.....	165/80.3
D667,538	S *	9/2012	Wu	.....	D23/415
2003/0019492	A1 *	1/2003	Williams	.....	126/41 R
2007/0068659	A1 *	3/2007	Hwang et al.	.....	165/121

2007/0251675	A1 *	11/2007	Hwang et al.	.....	165/104.33
2008/0011454	A1 *	1/2008	Hwang et al.	.....	165/80.3
2008/0023176	A1 *	1/2008	Peng et al.	.....	165/80.3
2008/0093056	A1 *	4/2008	Hwang et al.	.....	165/104.33
2008/0105410	A1 *	5/2008	Hwang et al.	.....	165/104.33
2008/0156460	A1 *	7/2008	Hwang et al.	.....	165/80.3
2009/0044927	A1 *	2/2009	Hwang et al.	.....	165/80.3
2010/0091450	A1 *	4/2010	Hung et al.	.....	361/679.52
2012/0043058	A1 *	2/2012	Hwang et al.	.....	165/104.26
2012/0292007	A1 *	11/2012	Chiu et al.	.....	165/247
2013/0168056	A1 *	7/2013	Wu	.....	165/104.26

\* cited by examiner

*Primary Examiner* — Karen S Acker

(74) *Attorney, Agent, or Firm* — C. G. Mersereau; Nikolai & Mersereau, P.A.

(57) **CLAIM**

The ornamental design for a heat pipe, as shown and described.

**DESCRIPTION**

FIG. 1 is a top perspective view of a heat pipe showing my design;

FIG. 2 is a front view thereof;

FIG. 3 is a rear view thereof;

FIG. 4 is a left view thereof;

FIG. 5 is a right view thereof;

FIG. 6 is a top plan view thereof;

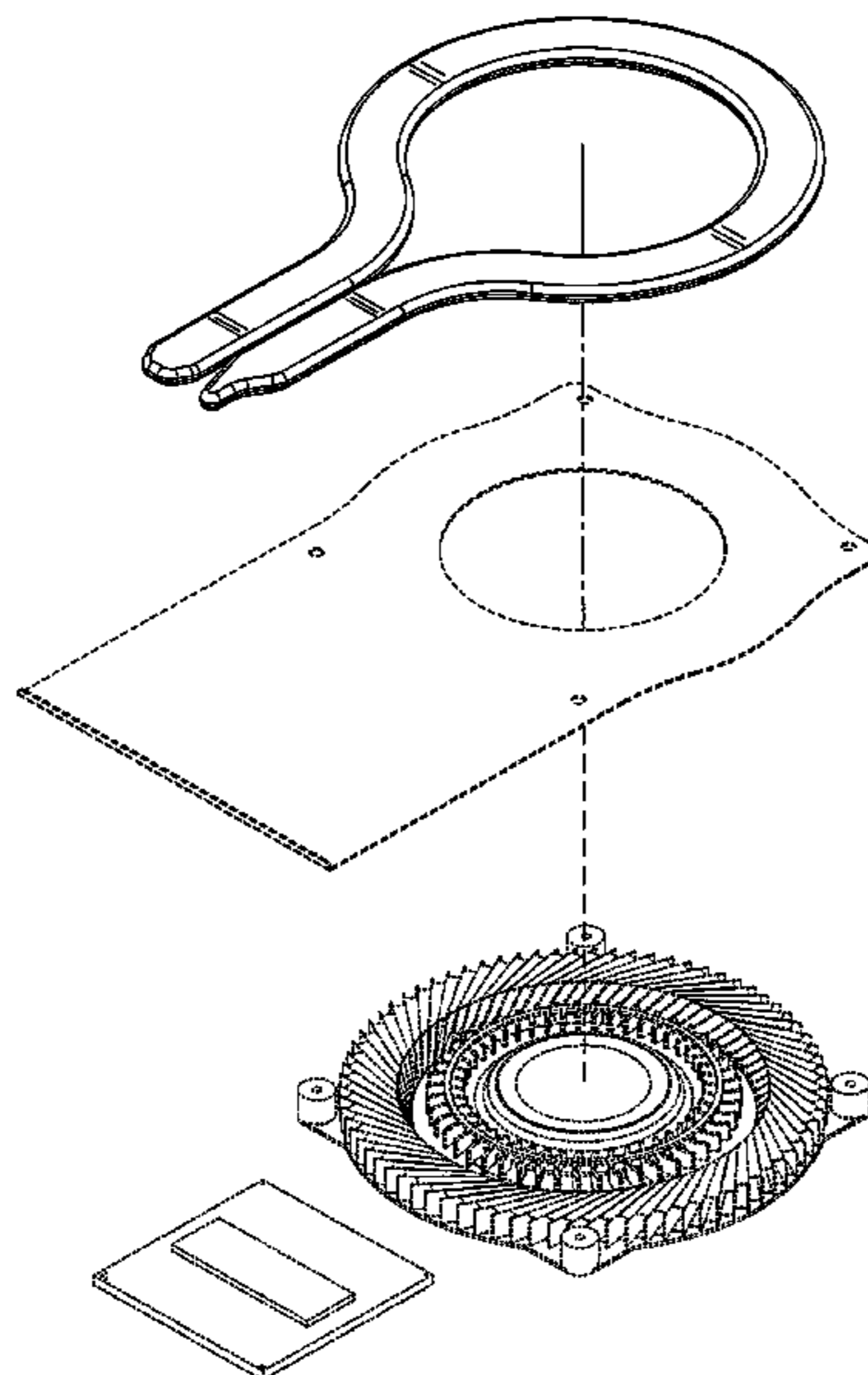
FIG. 7 is a bottom plan view thereof;

FIG. 8 is a bottom perspective view of the design of FIG. 1 positioned above the unassembled parts of a heat sink that is not claimed; and,

FIG. 9 is a bottom perspective view of the design of FIG. 1, in an environment of use connected to a heat sink that is not part of the claim.

The broken lines in FIGS. 8-9 represent environmental subject matter that is not included in the claim.

**1 Claim, 9 Drawing Sheets**



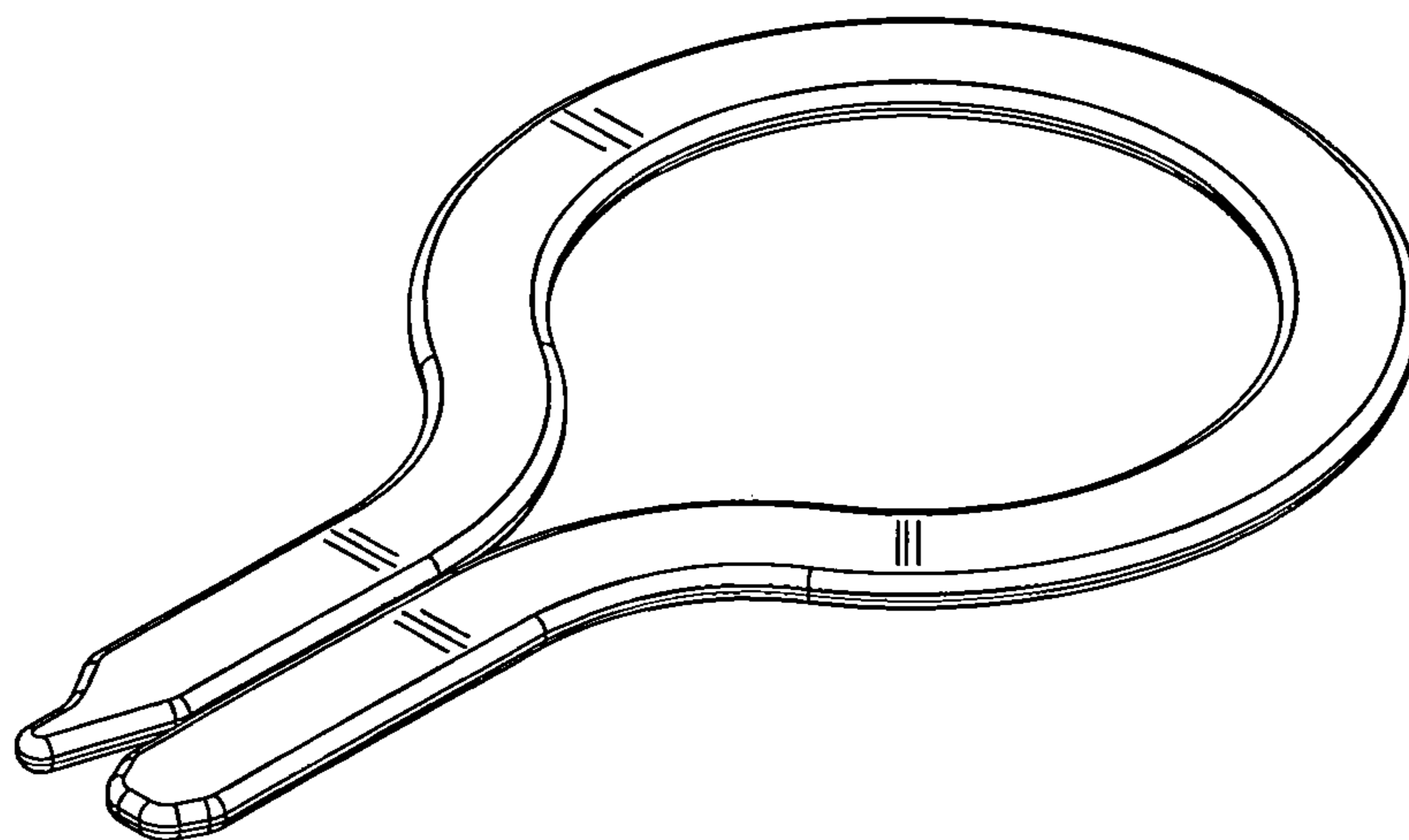


Fig. 1

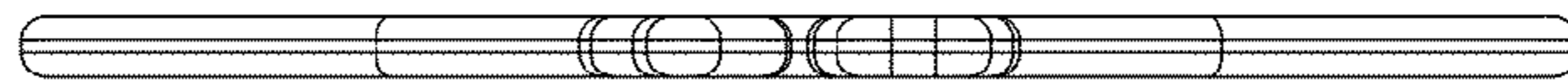


Fig. 2



Fig. 3

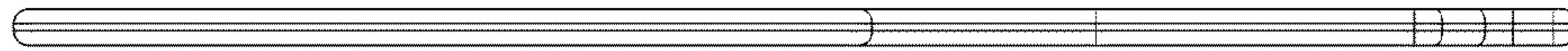


Fig. 4



Fig. 5

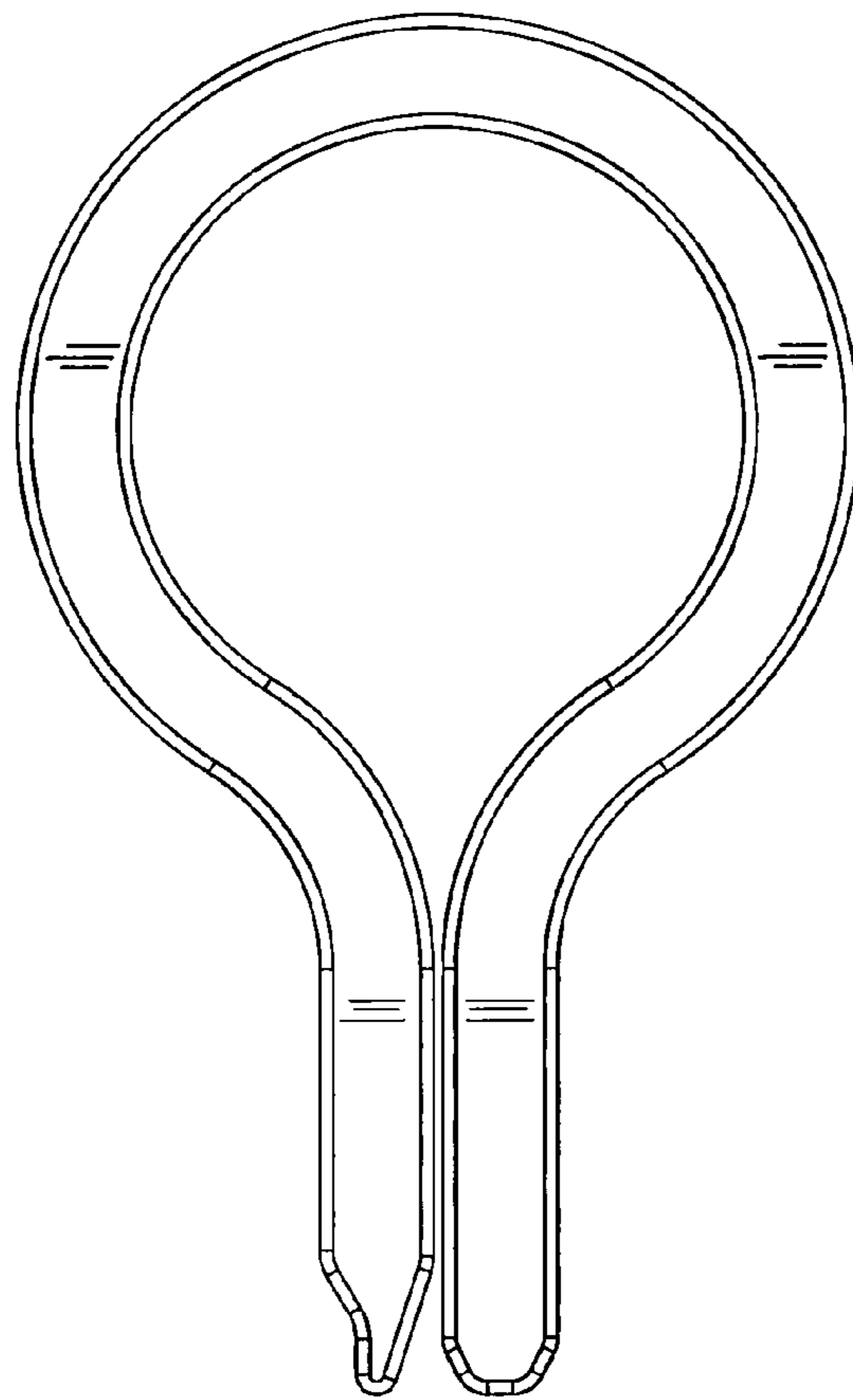


Fig. 6

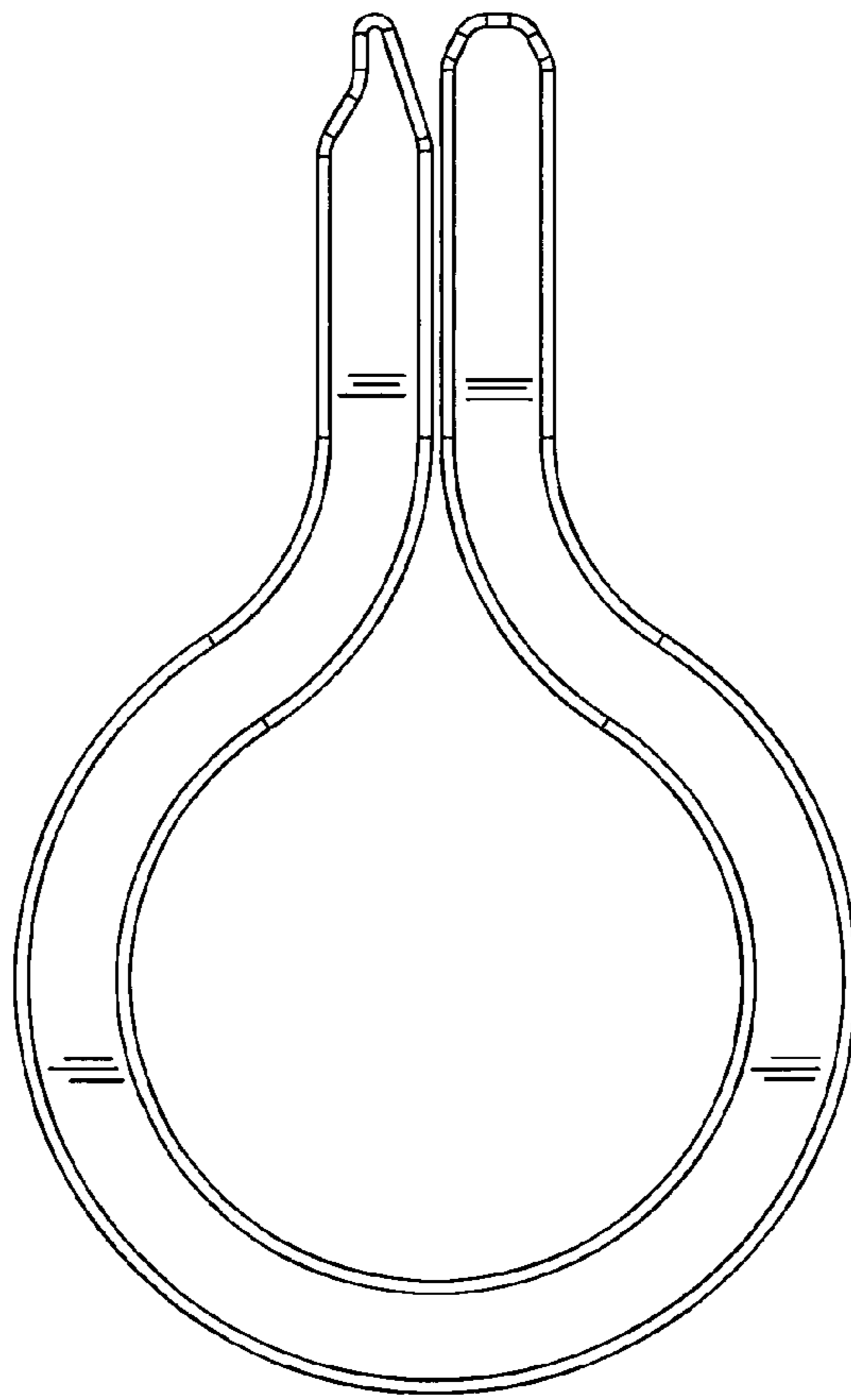


Fig. 7



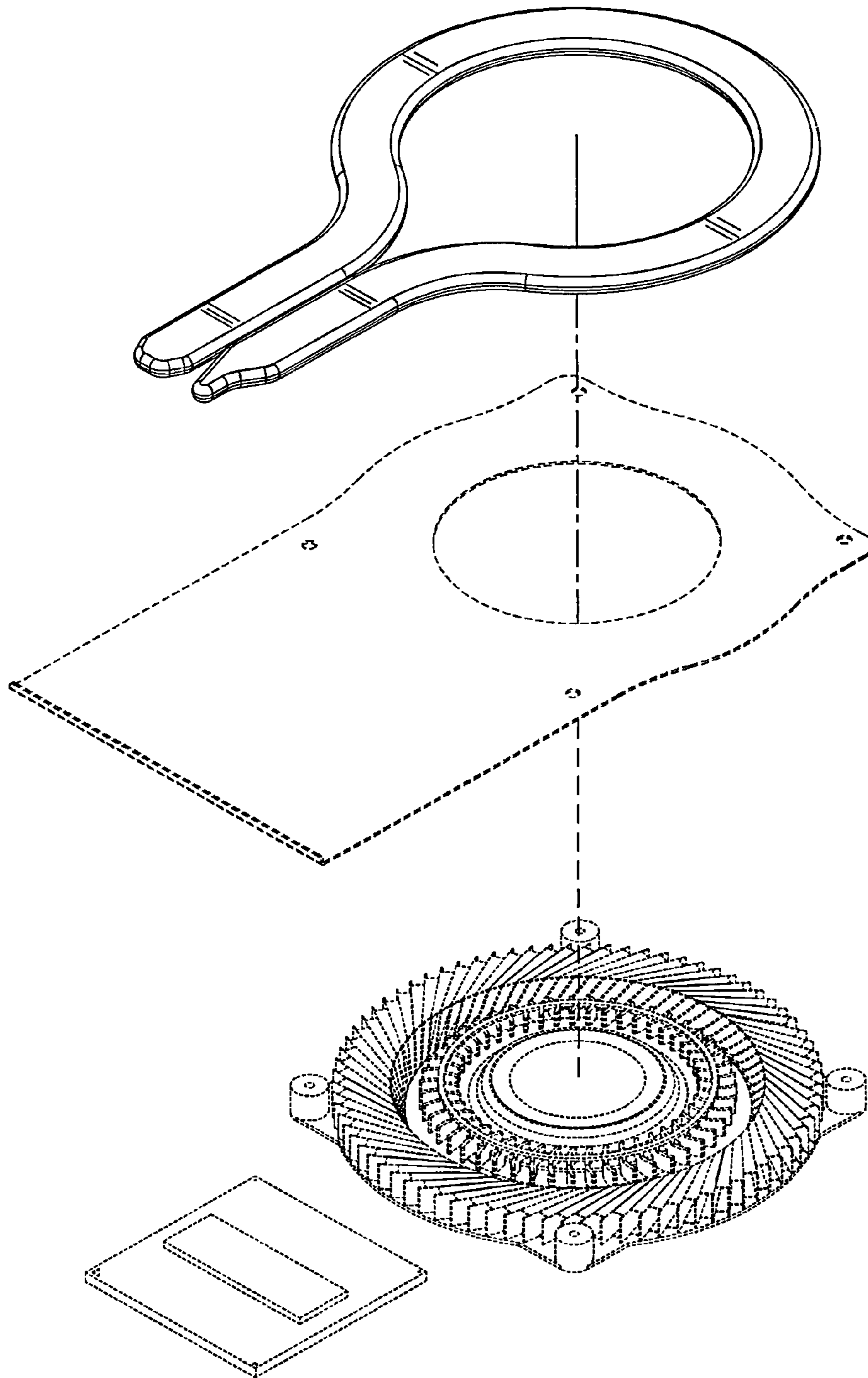


Fig. 8

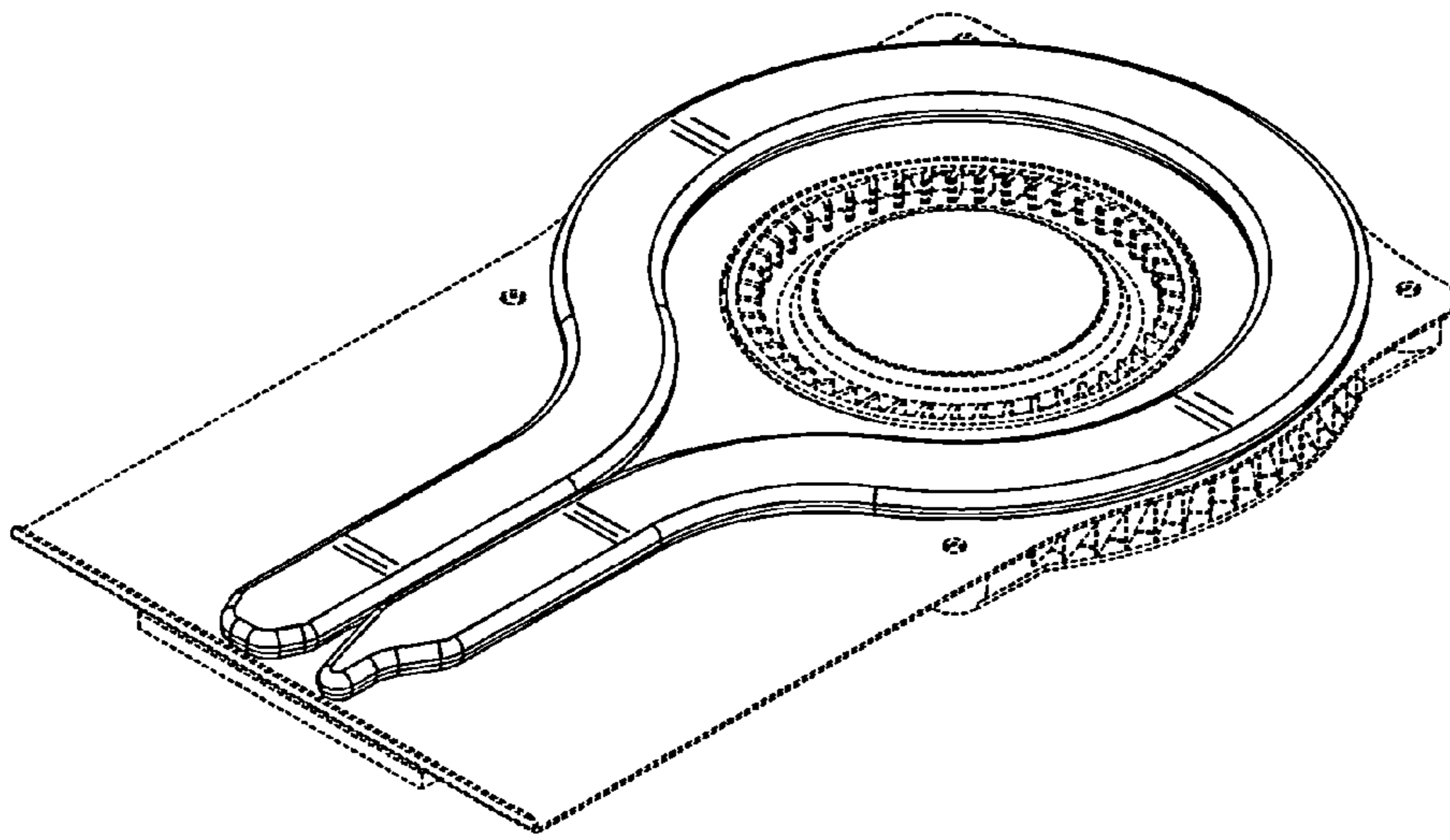


Fig. 9