



US00D718051S

(12) **United States Design Patent**  
**Frahm et al.**

(10) **Patent No.:** **US D718,051 S**  
(45) **Date of Patent:** **\*\* Nov. 25, 2014**

- (54) **TOOL CASE TROLLEY**
- (71) Applicants: **Soren X. Frahm**, Horsens (DK); **Robert Byriel Riedel**, Horsens (DK)
- (72) Inventors: **Soren X. Frahm**, Horsens (DK); **Robert Byriel Riedel**, Horsens (DK)
- (73) Assignee: **raaco A/S** (DK)
- (\*\*) Term: **14 Years**
- (21) Appl. No.: **29/466,059**
- (22) Filed: **Sep. 4, 2013**

|                   |         |              |       |         |
|-------------------|---------|--------------|-------|---------|
| D472,385 S *      | 4/2003  | Bauer        | ..... | D3/279  |
| D623,856 S *      | 9/2010  | Pezzini      | ..... | D3/279  |
| D672,954 S *      | 12/2012 | Frahm et al. | ..... | D3/276  |
| D702,940 S *      | 4/2014  | Frahm et al. | ..... | D3/276  |
| D702,941 S *      | 4/2014  | Frahm et al. | ..... | D3/276  |
| 2006/0260893 A1 * | 11/2006 | Drew et al.  | ..... | 190/108 |
| 2007/0221461 A1 * | 9/2007  | Carmona      | ..... | 190/101 |

\* cited by examiner

*Primary Examiner* — Jennifer Rivard

(74) *Attorney, Agent, or Firm* — St. Onge Steward Johnston & Reens LLC

(30) **Foreign Application Priority Data**

Mar. 22, 2013 (WO) ..... 728132301

(51) **LOC (10) Cl.** ..... **03-01**

(52) **U.S. Cl.**  
USPC ..... **D3/279; D3/900; D3/905**

(58) **Field of Classification Search**  
USPC ..... 206/349, 372–379; D3/273, 276,  
D3/280–288, 291–297, 900–905, 279;  
190/115–118, 18 A  
See application file for complete search history.

(56) **References Cited**

**U.S. PATENT DOCUMENTS**

|              |        |         |       |        |
|--------------|--------|---------|-------|--------|
| D335,030 S * | 4/1993 | Alfonso | ..... | D3/279 |
| D439,407 S * | 3/2001 | Parker  | ..... | D3/276 |

(57) **CLAIM**

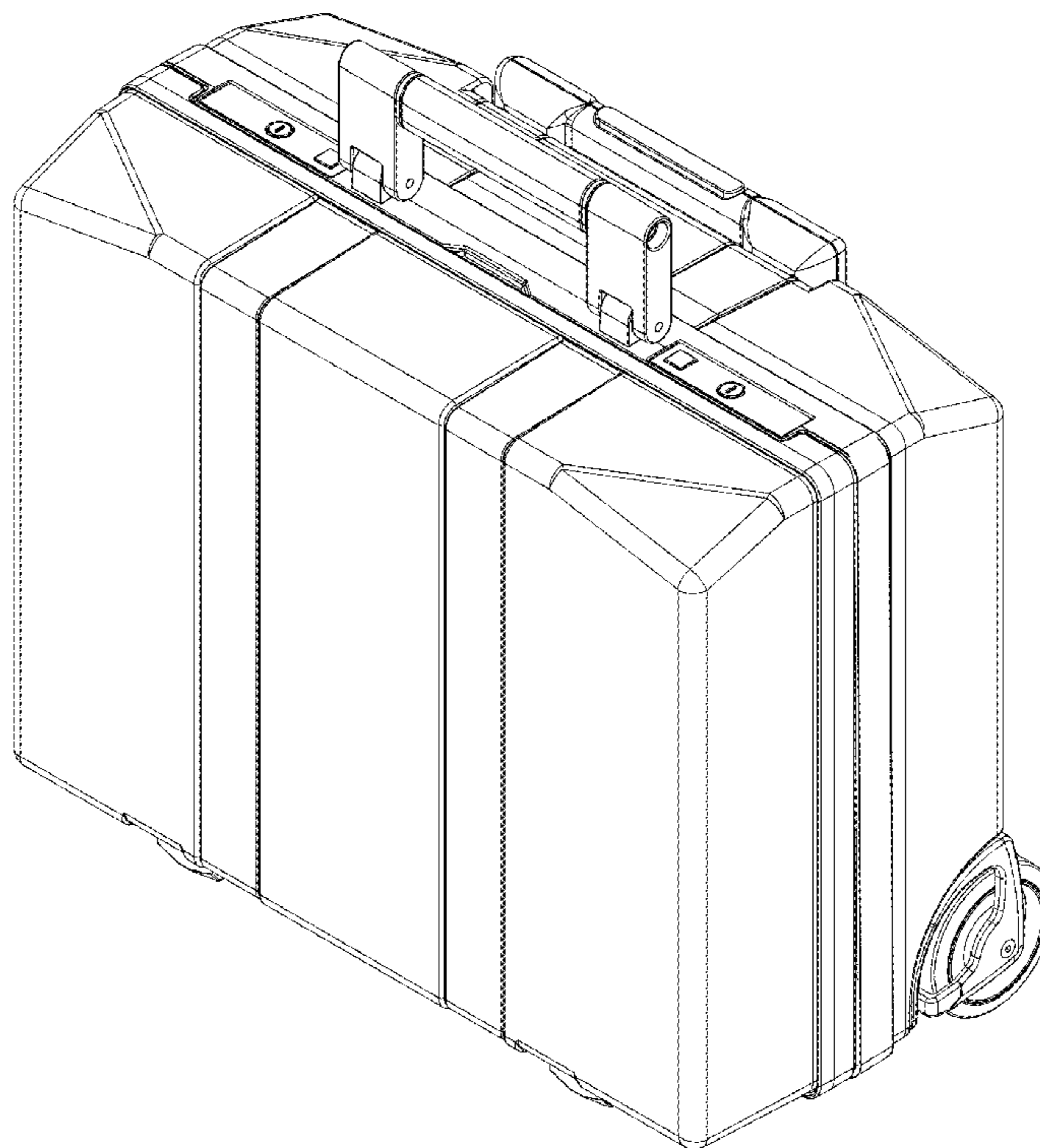
The ornamental design for a tool case trolley, as shown and described.

**DESCRIPTION**

FIG. 1 is a front, left side, top perspective view of a tool case trolley in accordance with the new design;  
FIG. 2 is a rear, right side, top perspective view thereof;  
FIG. 3 is a front elevational view thereof;  
FIG. 4 is a rear elevational view thereof;  
FIG. 5 is a left side elevational view thereof;  
FIG. 6 is a right side elevational view thereof;  
FIG. 7 is a bottom plan view thereof; and,  
FIG. 8 is a top plan view thereof.

The “raaco” forming part of the claimed design is a registered trademark of Raaco International.

**1 Claim, 8 Drawing Sheets**



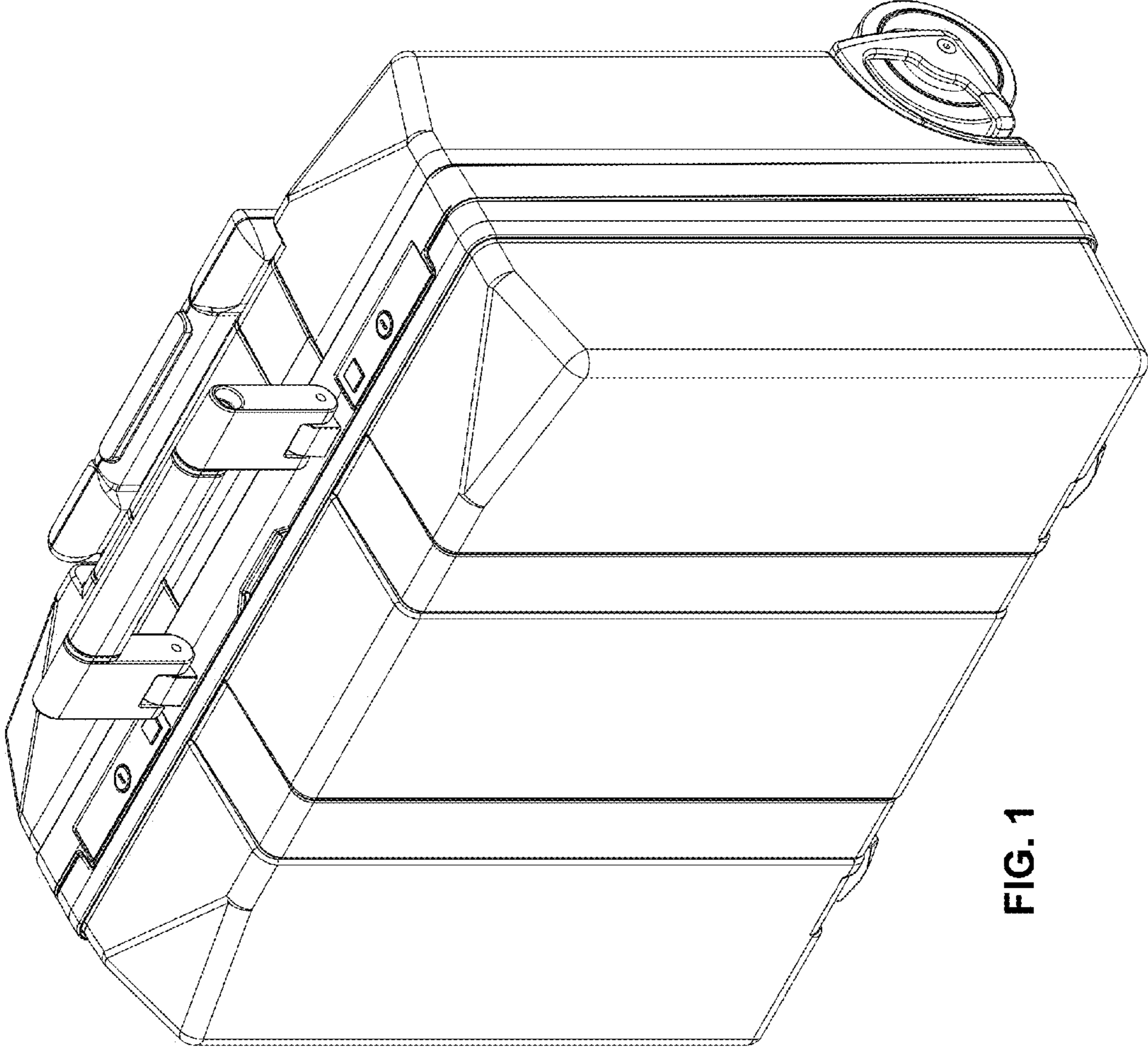


FIG. 1

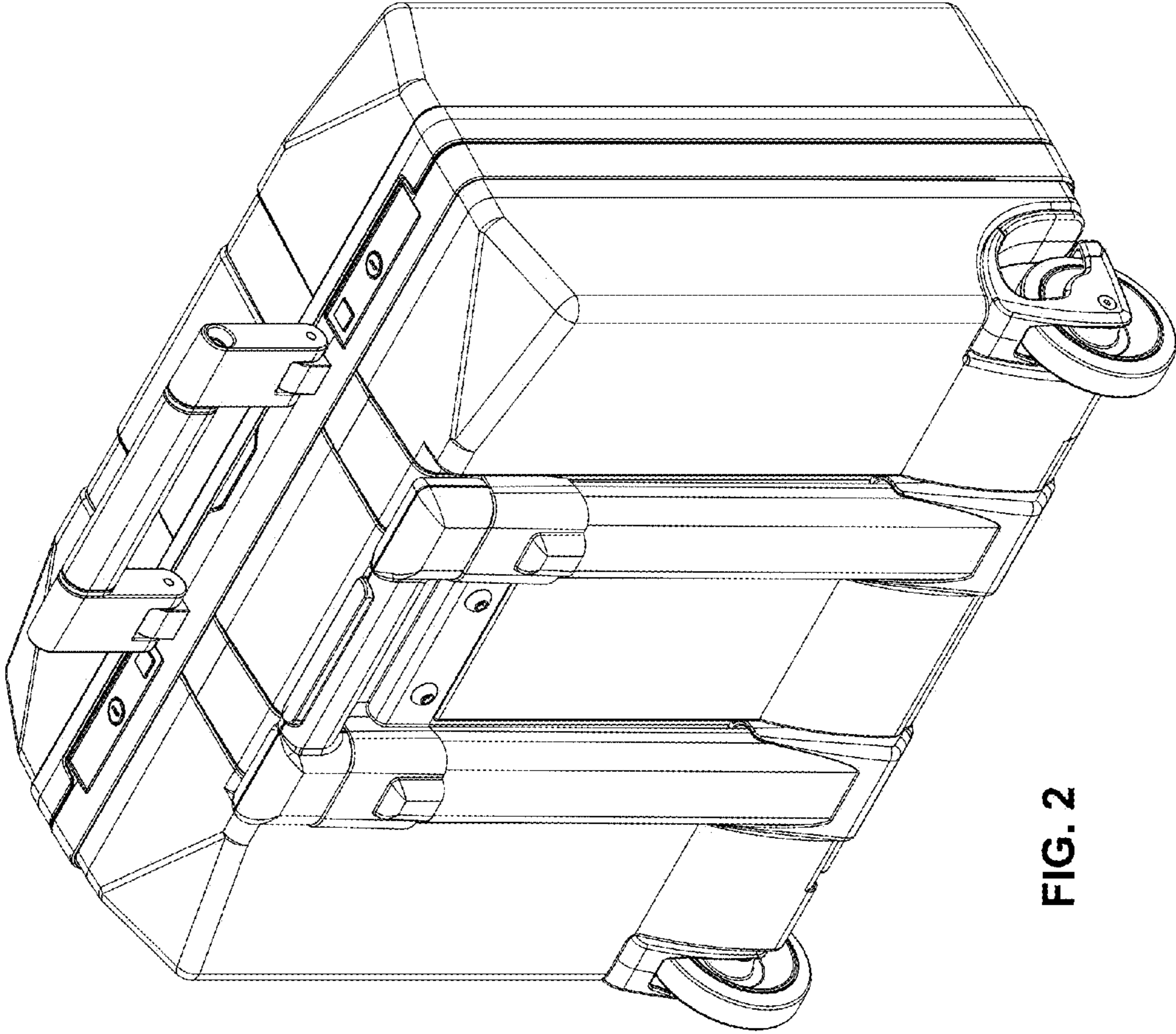


FIG. 2

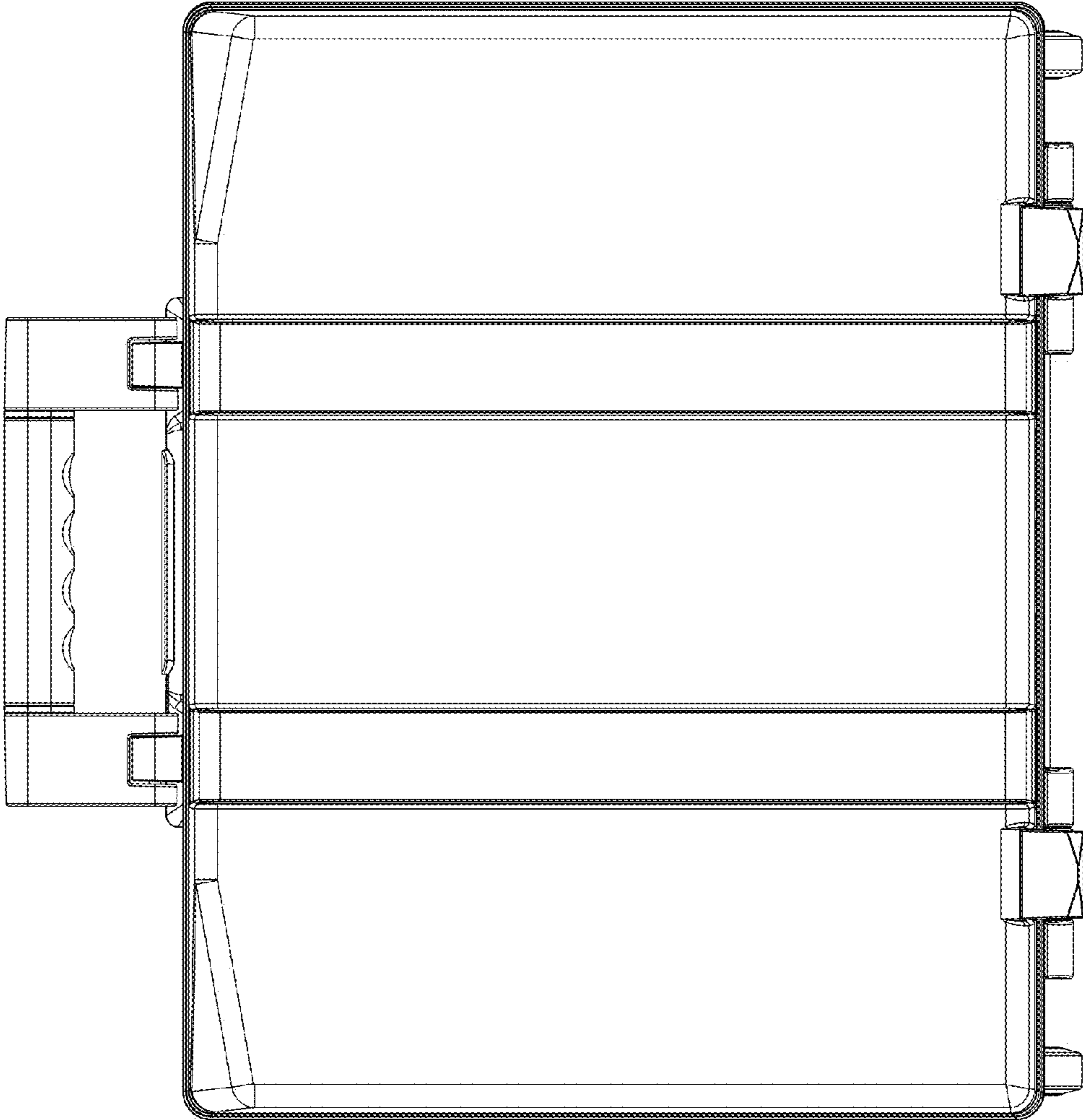


FIG. 3

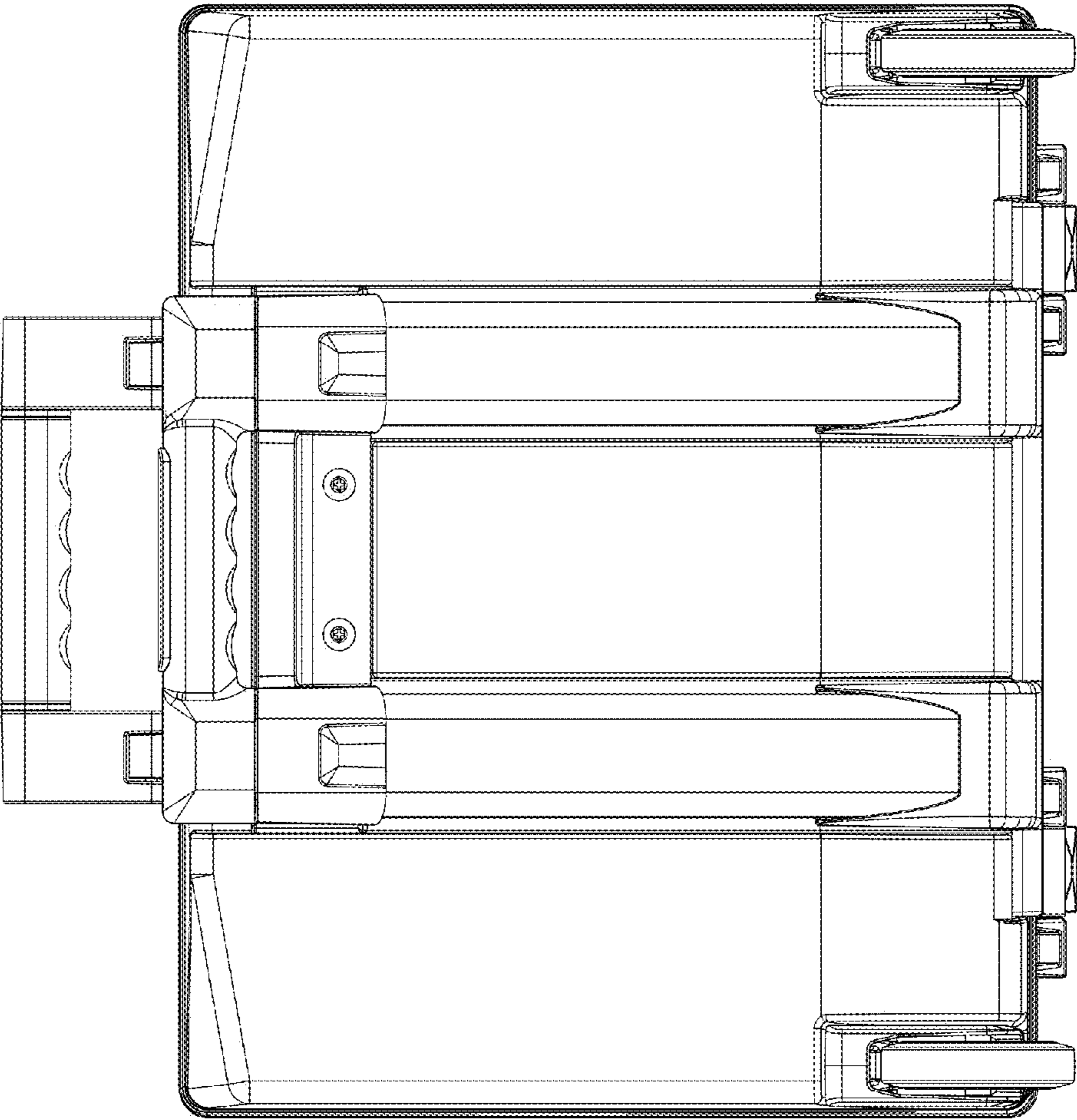


FIG. 4

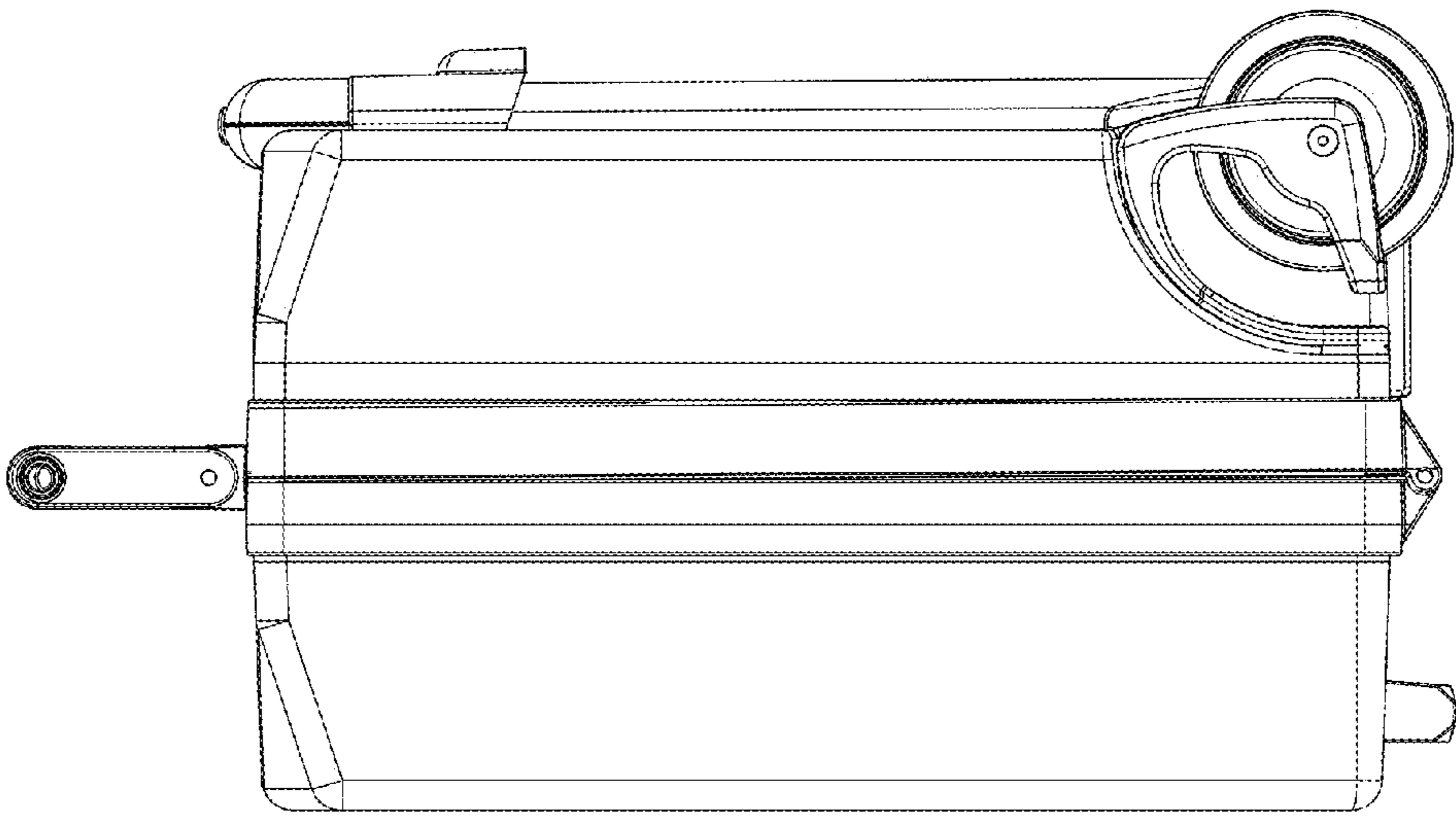


FIG. 5

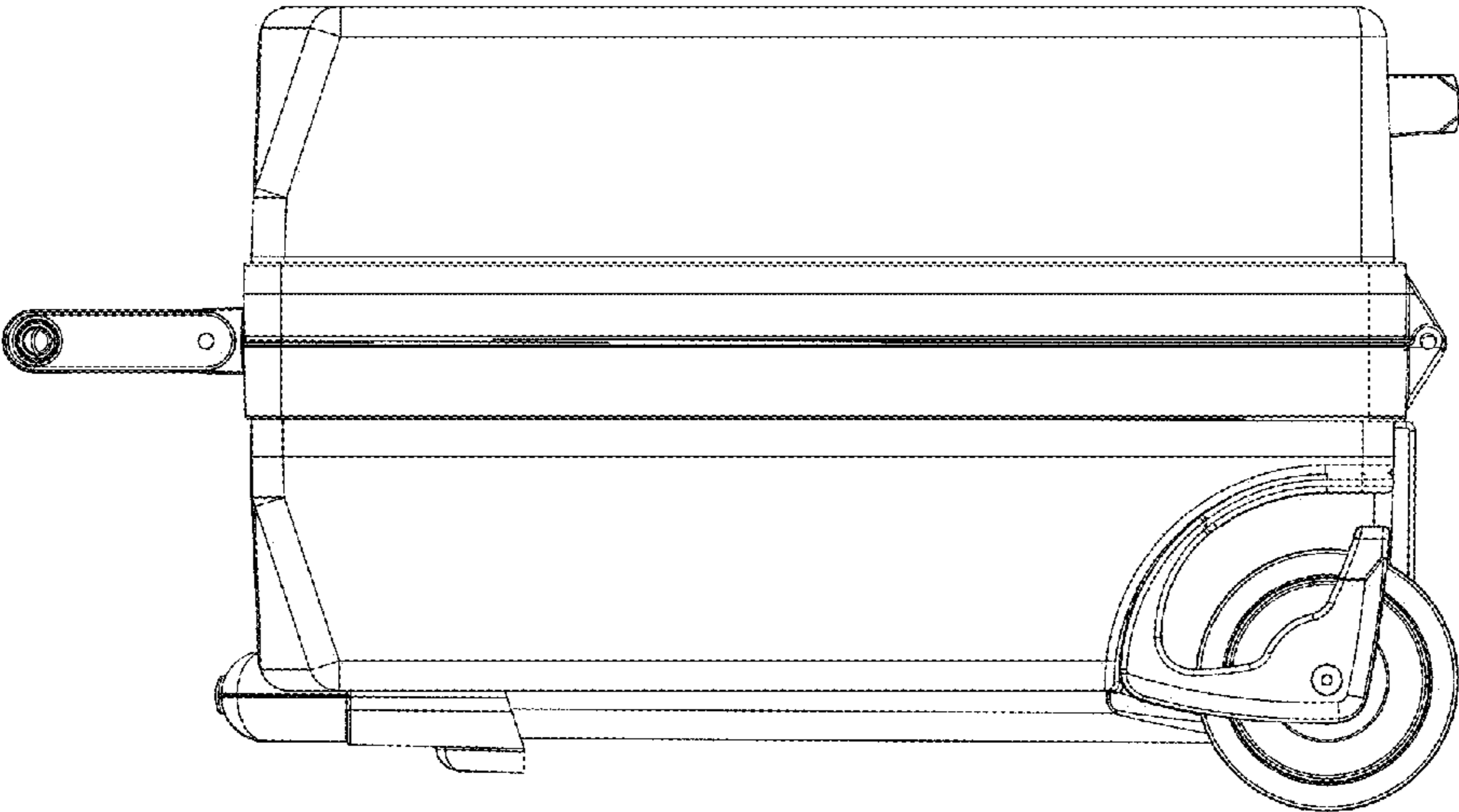


FIG. 6

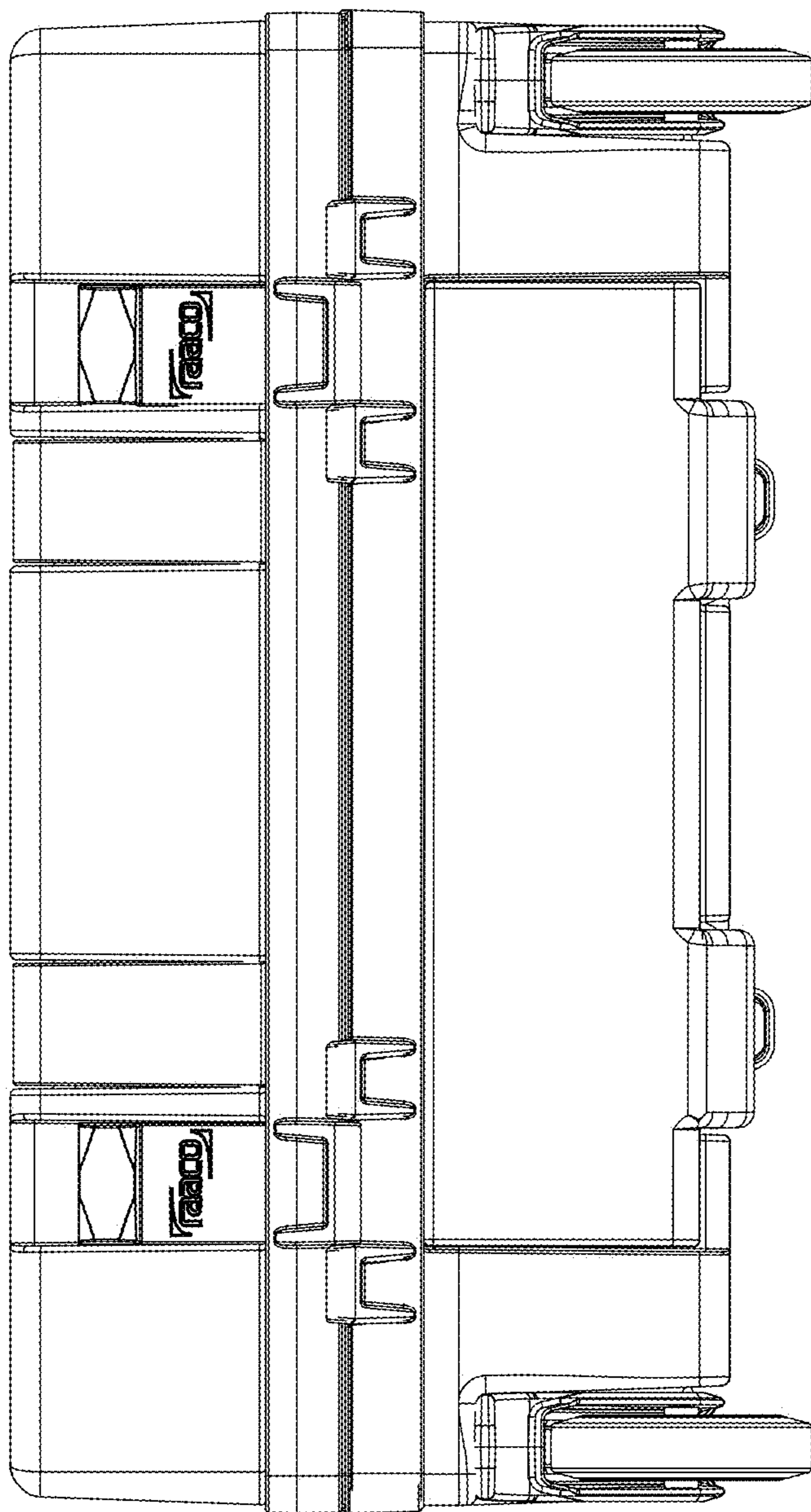


FIG. 7



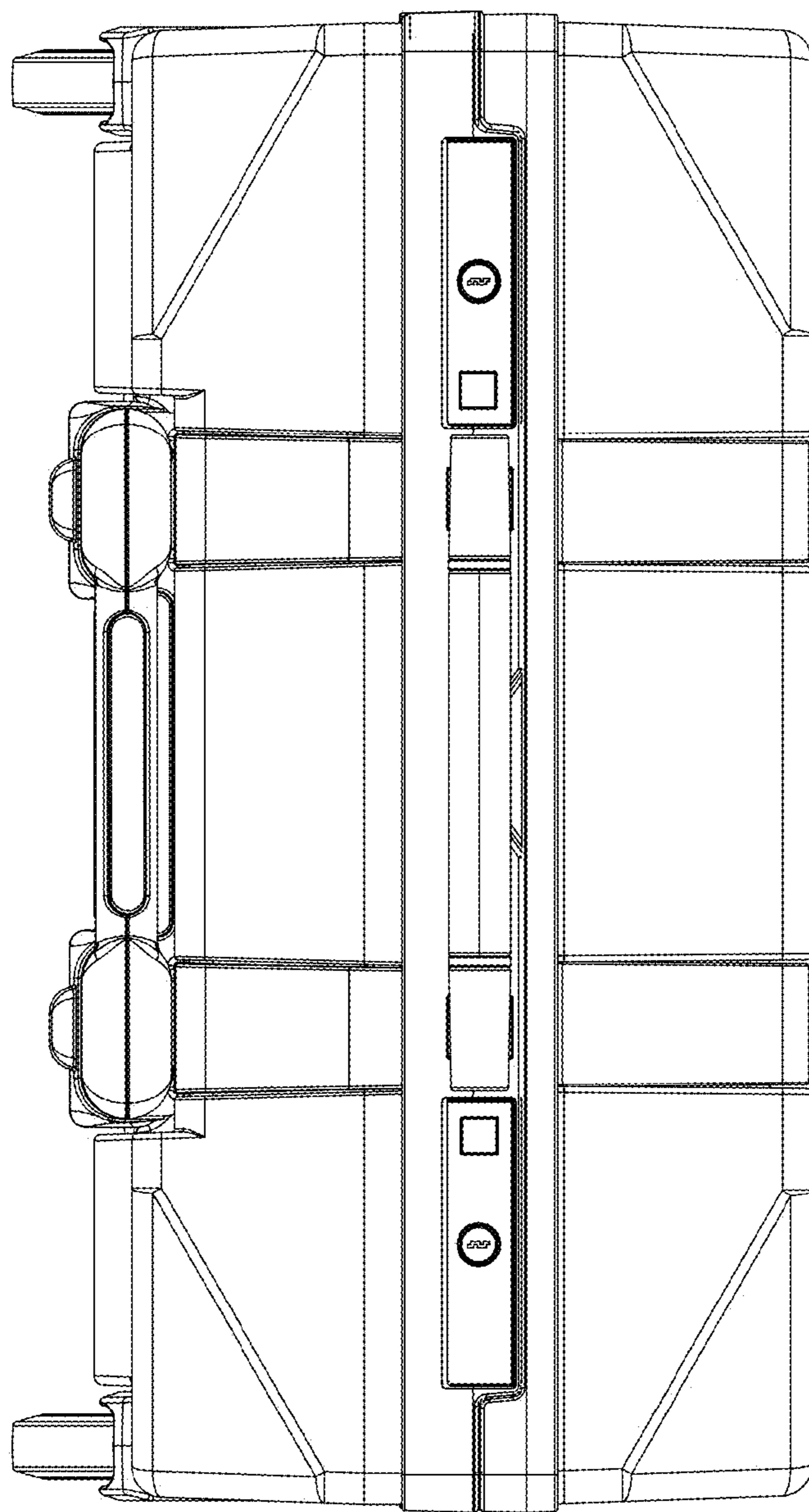


FIG. 8