

US00D718049S

(12) **United States Design Patent**
Hsu

(10) **Patent No.:** **US D718,049 S**
(45) **Date of Patent:** **** Nov. 25, 2014**

(54) **TOOL BOX**

(71) Applicant: **Shao-Hsien Hsu**, Taichung (TW)

(72) Inventor: **Shao-Hsien Hsu**, Taichung (TW)

(**) Term: **14 Years**

(21) Appl. No.: **29/498,622**

(22) Filed: **Aug. 6, 2014**

(51) **LOC (10) Cl.** **03-01**

(52) **U.S. Cl.**
USPC **D3/273; D3/294; D3/302; D3/905**

(58) **Field of Classification Search**
CPC B25H 3/02; B25H 3/028; B25H 3/00;
B25H 3/003; B25H 3/006
USPC D3/276, 279, 281, 282, 284, 291, 294,
D3/295, 297, 298, 901, 905, 288, 292, 302,
D3/273; 206/372-379, 1.7; 220/523-528,
220/324, 4.21; D19/106, 83

See application file for complete search history.

(56) **References Cited**

U.S. PATENT DOCUMENTS

3,583,556	A	*	6/1971	Wagner	206/373
D238,973	S	*	2/1976	Miller	D12/423
D254,122	S	*	2/1980	Wintz	D3/224
D335,896	S	*	5/1993	Evenson	D19/83
D343,063	S	*	1/1994	Chen	D3/282

D355,360	S	*	2/1995	Mund et al.	D3/294
D367,211	S	*	2/1996	Cautereels	D7/629
D469,607	S	*	2/2003	Wolff	D3/294
D473,376	S	*	4/2003	Abate	D3/294
D491,358	S	*	6/2004	Hofman et al.	D3/273
D527,182	S	*	8/2006	Ham	D3/294
D530,914	S	*	10/2006	Jansson et al.	D3/282
D566,395	S	*	4/2008	Langer et al.	D3/294
D577,488	S	*	9/2008	Weng et al.	D3/281
D579,201	S	*	10/2008	Galli	D3/273
2004/0187256	A1	*	9/2004	Lee	16/114.1

* cited by examiner

Primary Examiner — Jennifer Rivard

Assistant Examiner — April Rivas

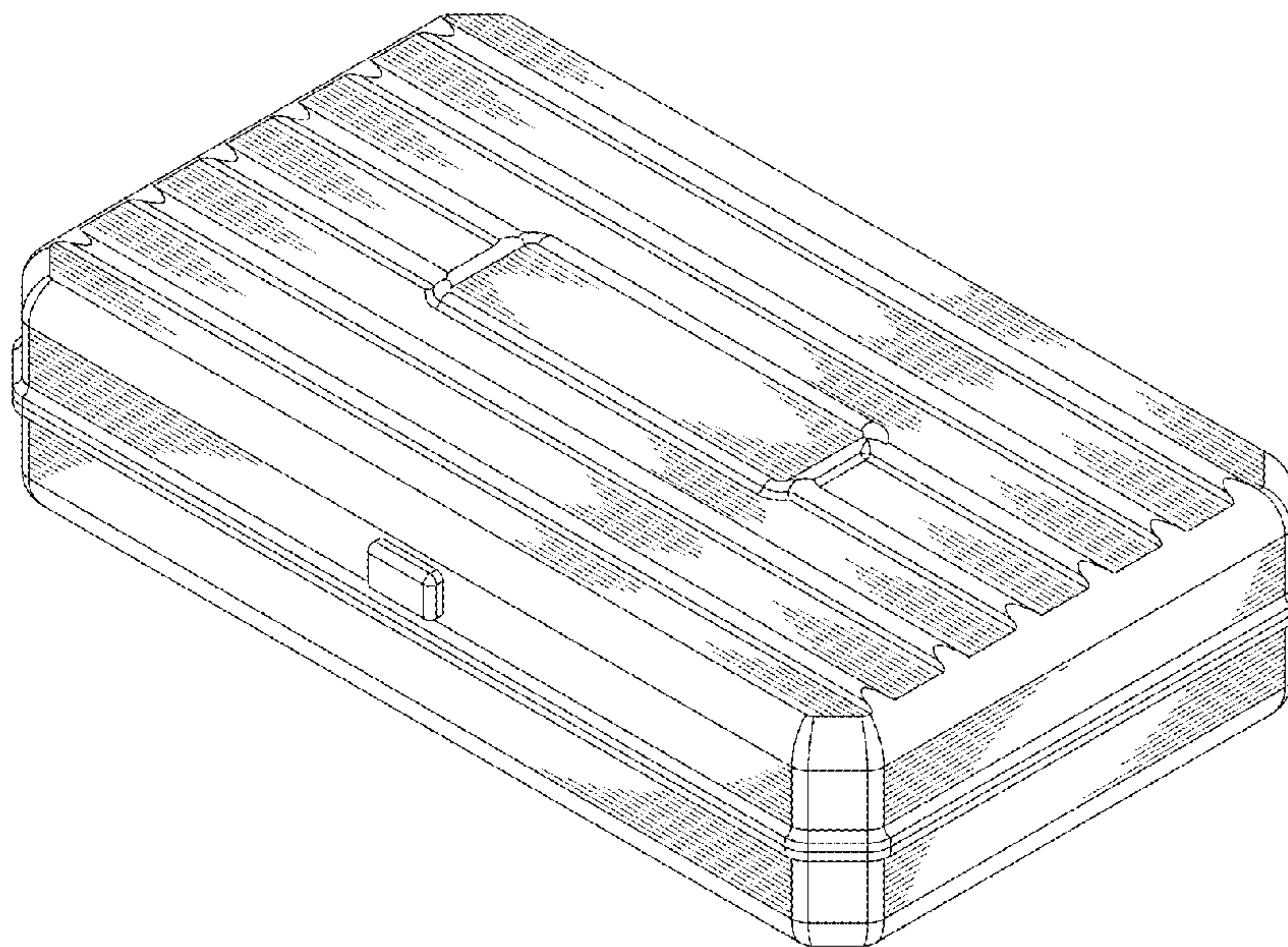
(57) **CLAIM**

The ornamental design for a tool box, as shown and described.

DESCRIPTION

FIG. 1 is a front perspective view of a tool box showing my new design;
FIG. 2 is a front elevational view thereof;
FIG. 3 is a rear elevational view thereof;
FIG. 4 is a left side view thereof;
FIG. 5 is a right side view thereof;
FIG. 6 is a top plan view thereof;
FIG. 7 is a bottom plan view thereof; and,
FIG. 8 is a rear perspective view thereof.

1 Claim, 6 Drawing Sheets



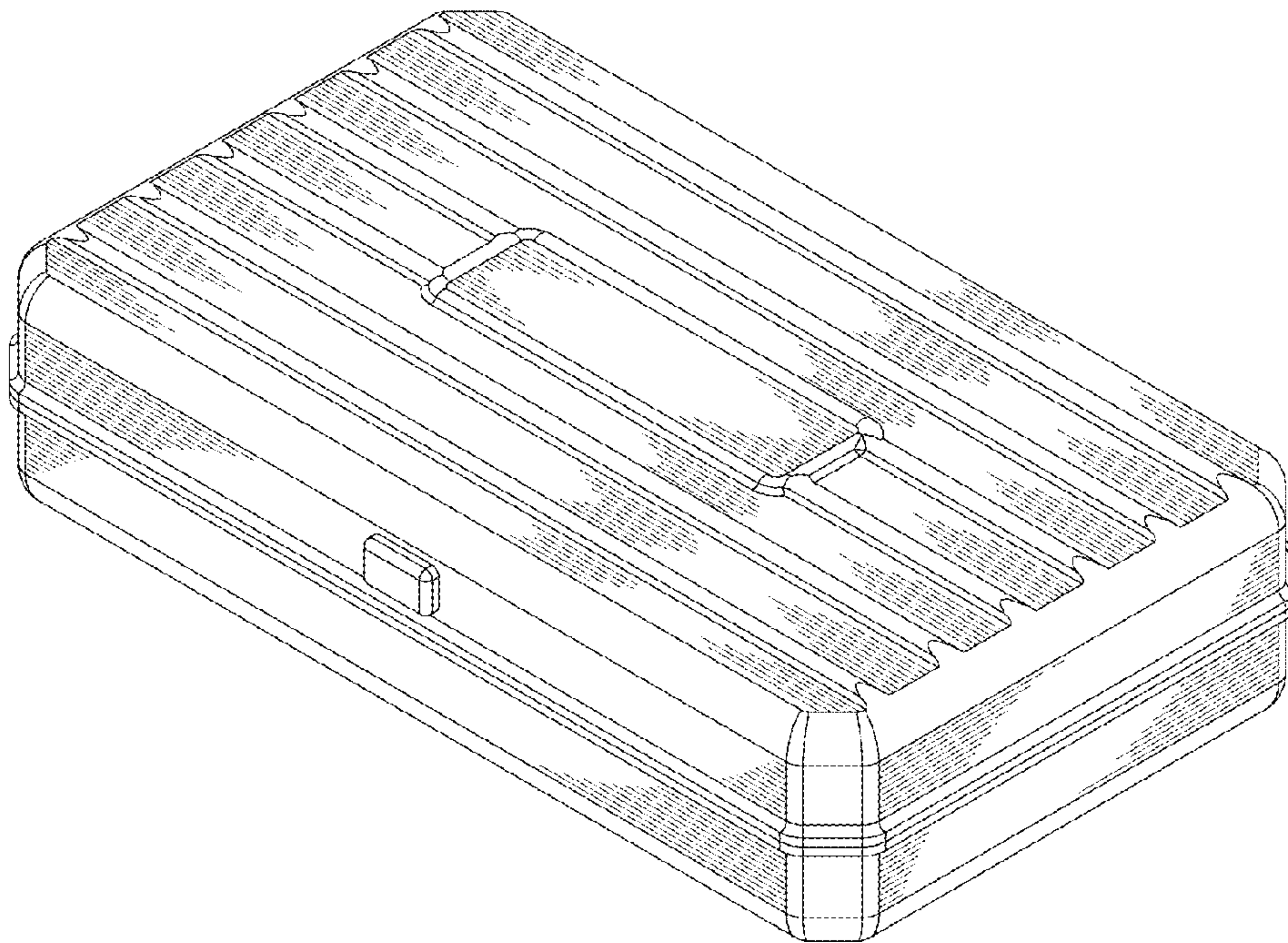


FIG.1

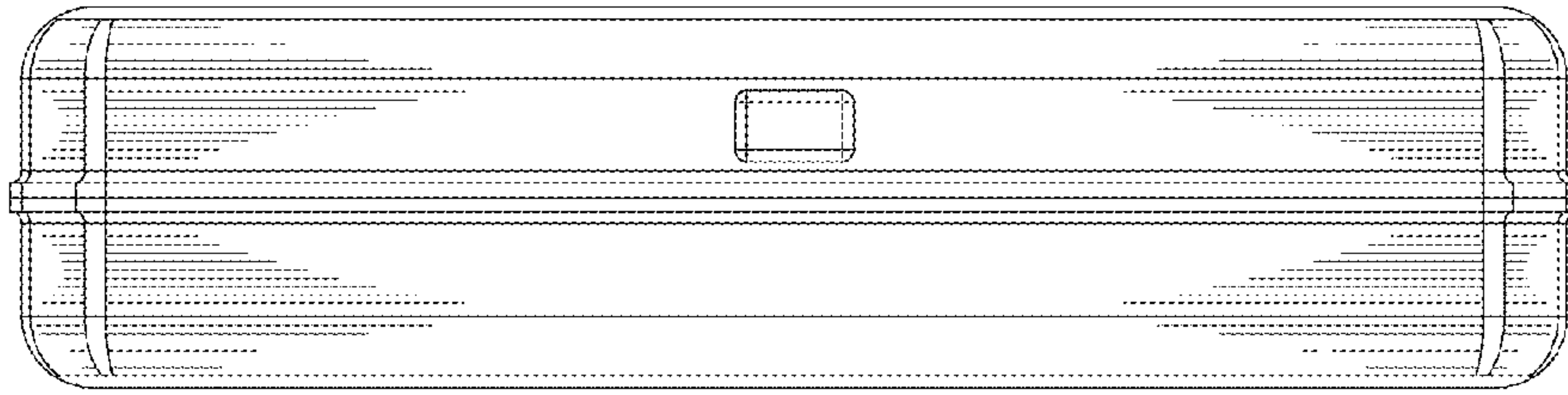


FIG. 2

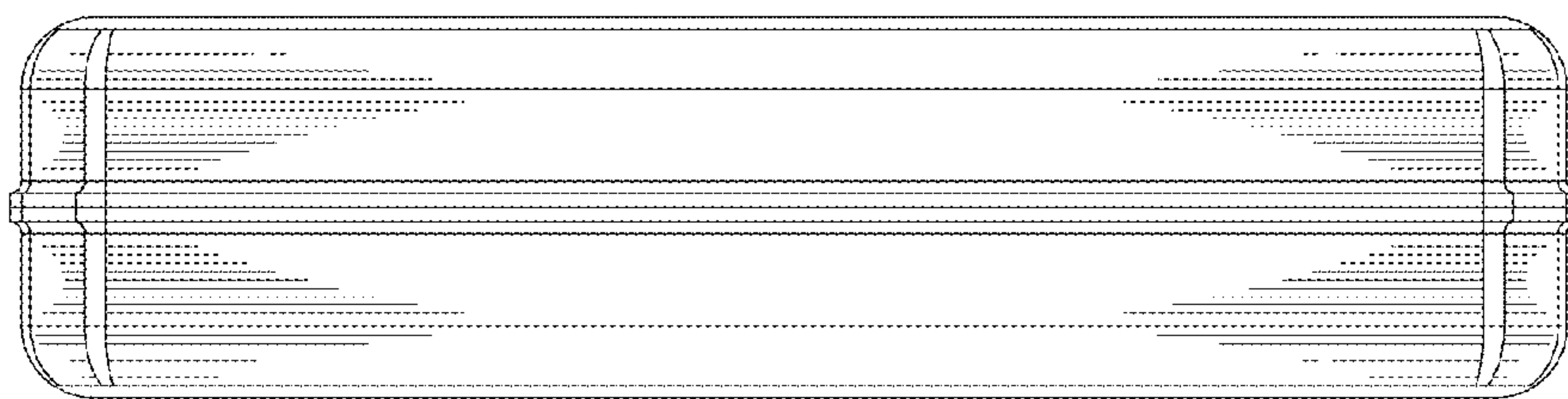


FIG. 3

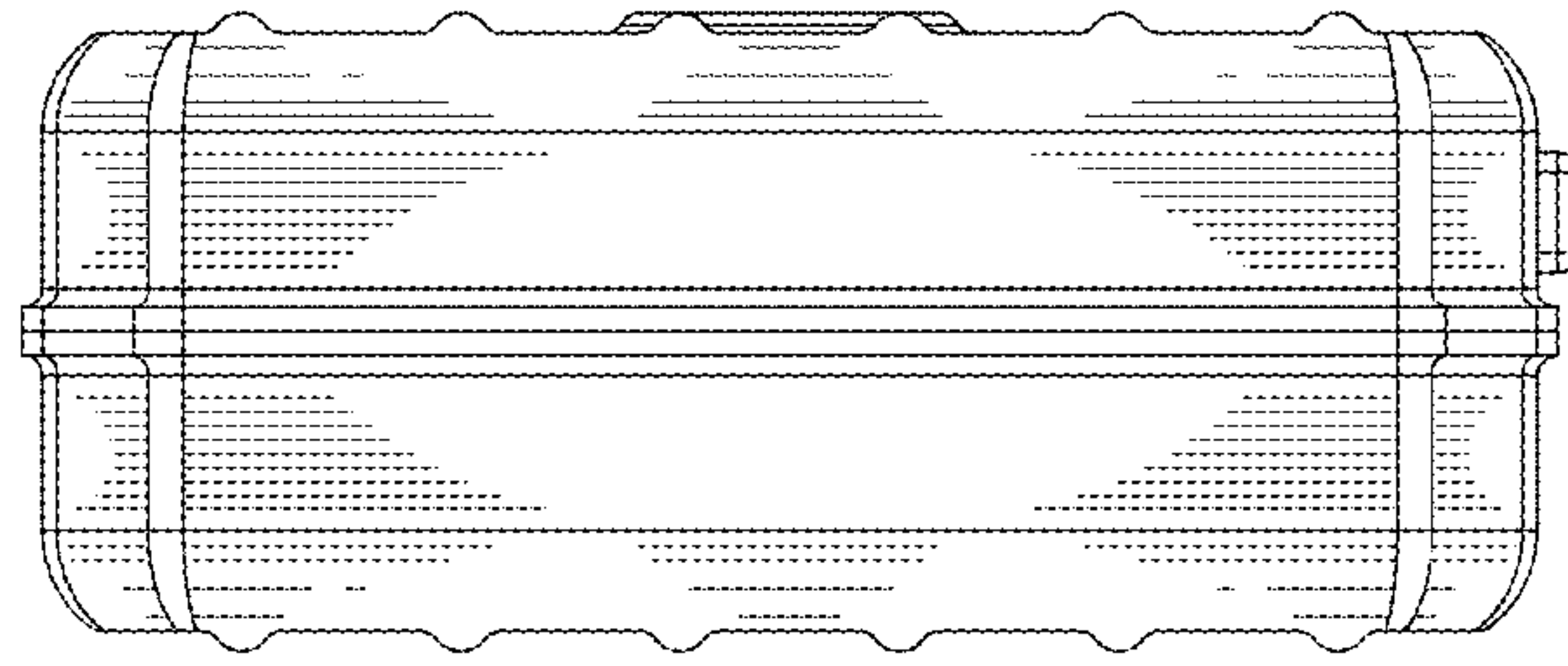


FIG.4

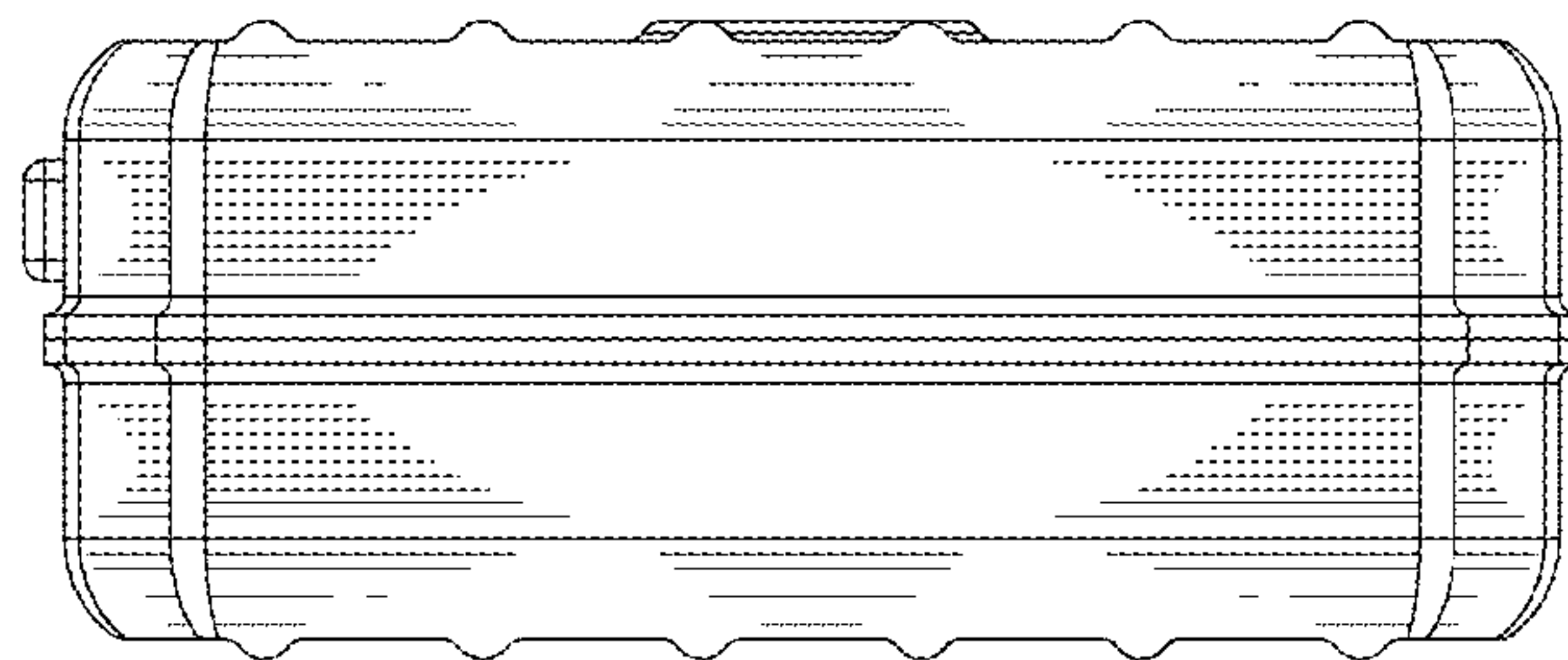


FIG.5

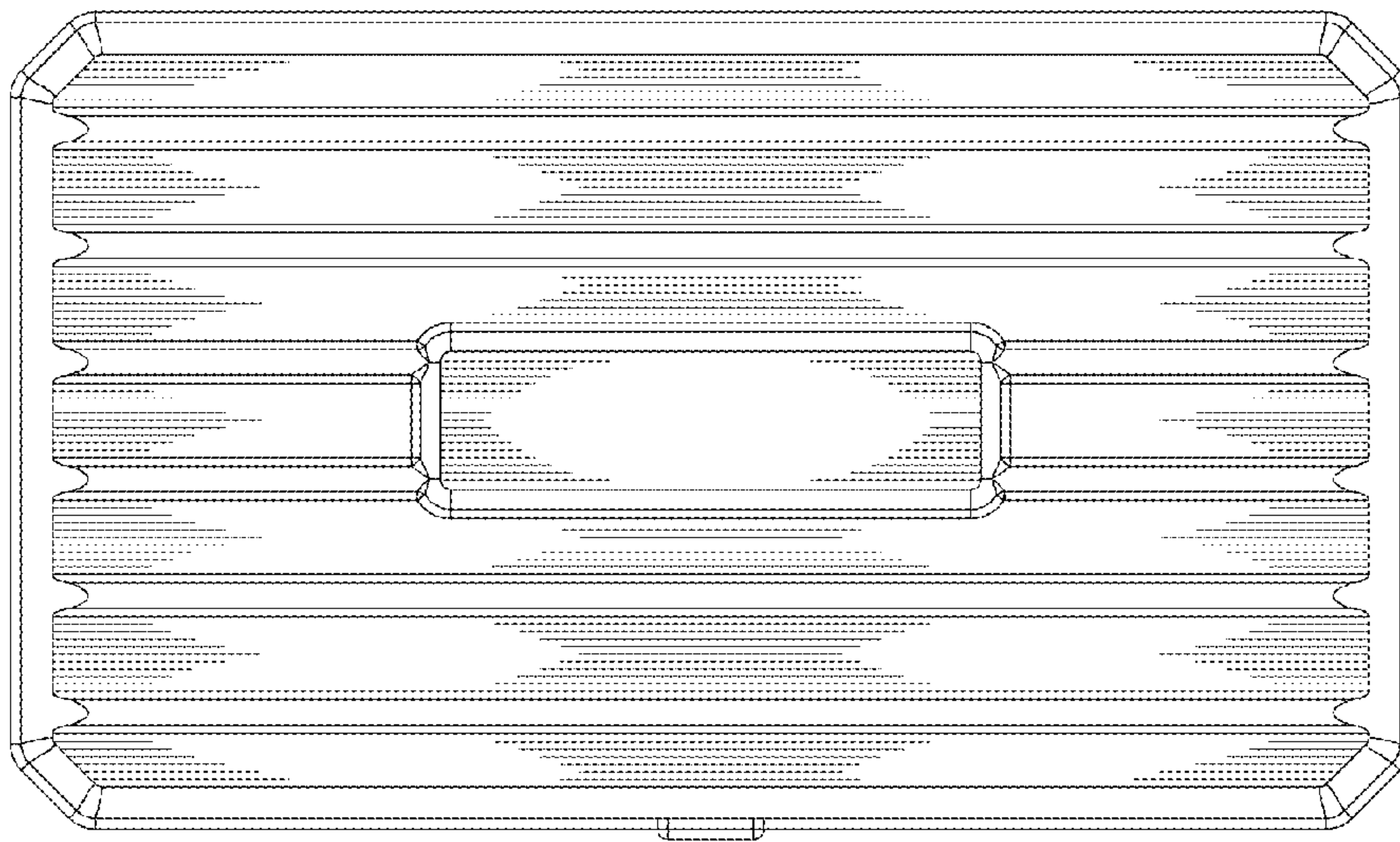


FIG.6

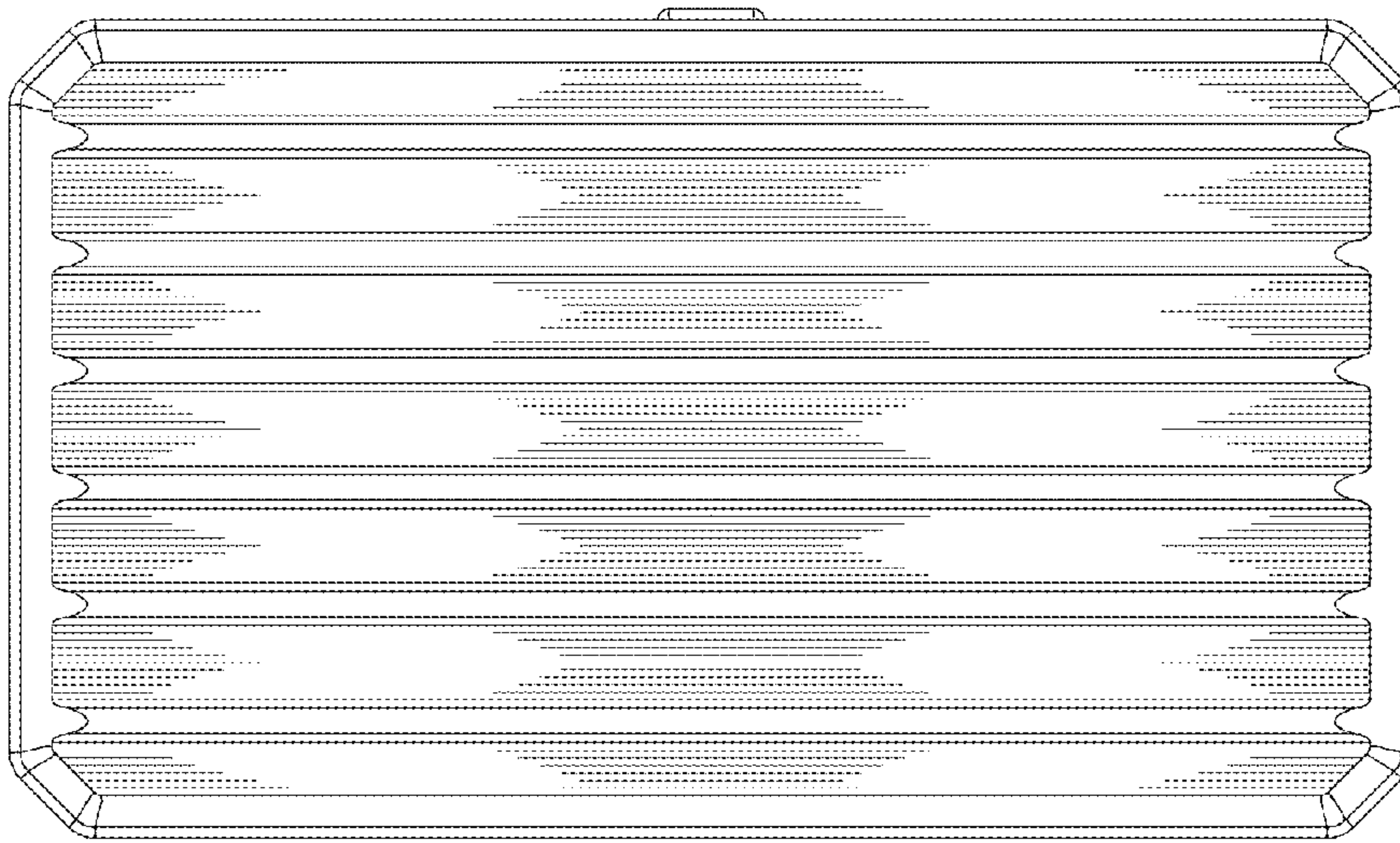


FIG.7

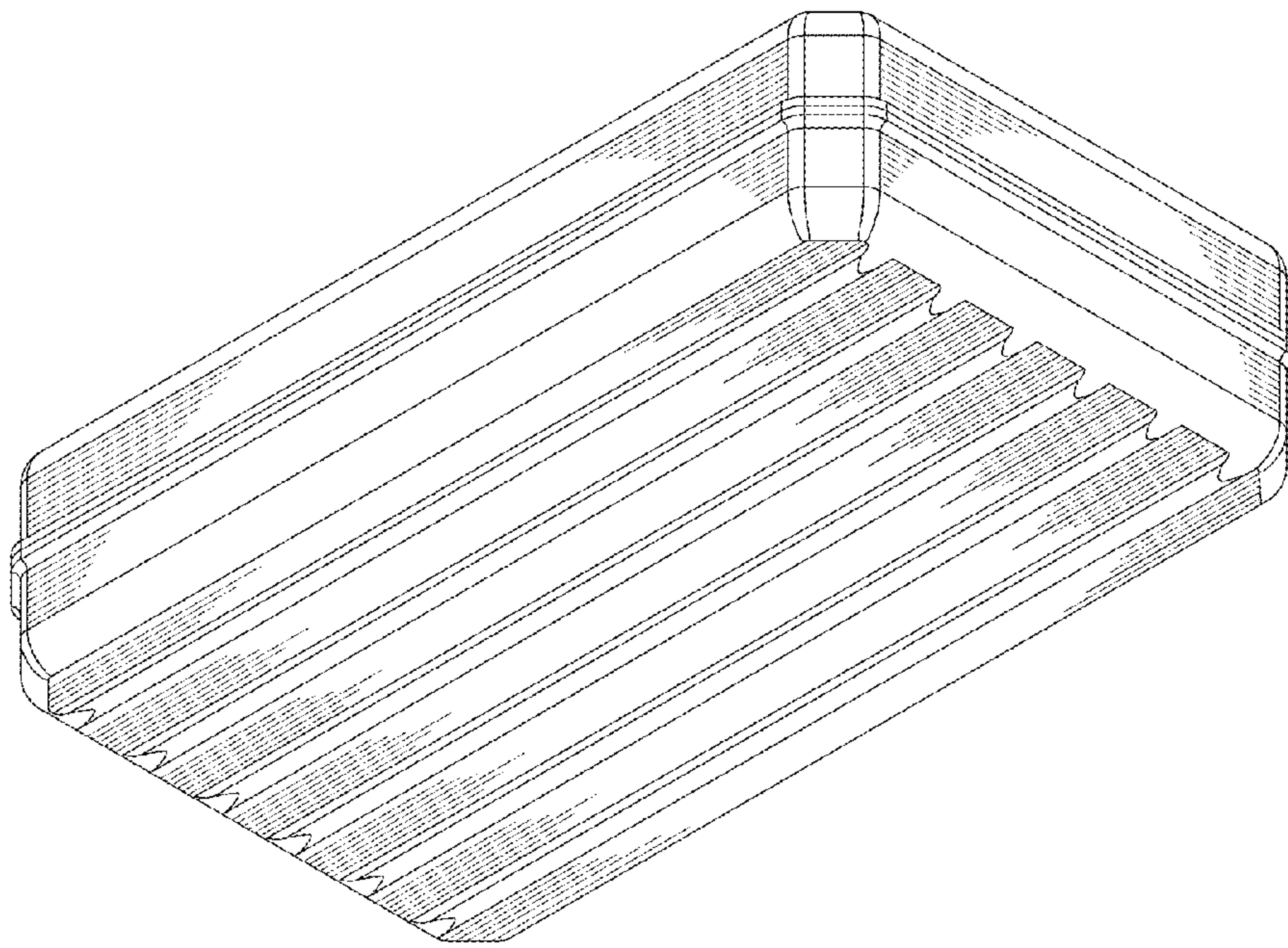


FIG.8