



US00D718048S

(12) **United States Design Patent**  
**Hsu**

(10) **Patent No.:** **US D718,048 S**

(45) **Date of Patent:** **\*\* Nov. 25, 2014**

(54) **TOOLKIT**

(71) Applicant: **Shao-Hsien Hsu**, Taichung (TW)

(72) Inventor: **Shao-Hsien Hsu**, Taichung (TW)

(\*\*) Term: **14 Years**

(21) Appl. No.: **29/498,621**

(22) Filed: **Aug. 6, 2014**

(51) **LOC (10) Cl.** ..... **03-03**

(52) **U.S. Cl.**

USPC ..... **D3/273**; D3/294; D3/302; D3/905

(58) **Field of Classification Search**

CPC . B25H 3/02-3/028; B25H 3/00; B25H 3/003;  
B25H 3/006

USPC ..... D3/276, 279, 281, 282, 284, 291, 294,  
D3/295, 297, 298, 901, 905, 288, 292, 302,  
D3/273; 206/372-379, 1.7; 220/523-528,  
220/324, 4.21; D19/106, 83

See application file for complete search history.

(56) **References Cited**

**U.S. PATENT DOCUMENTS**

D238,973 S *	2/1976	Miller .....	D12/423
D335,896 S *	5/1993	Evenson .....	D19/83
D354,848 S *	1/1995	Lovell .....	D3/205
D355,360 S *	2/1995	Mund et al. ....	D3/294
D367,211 S *	2/1996	Cautereels .....	D7/629

D450,921 S *	11/2001	Kirkland .....	D3/206
D458,127 S *	6/2002	de Groote .....	D9/423
D469,607 S *	2/2003	Wolff .....	D3/294
D491,358 S *	6/2004	Hofman et al. ....	D3/273
D527,182 S *	8/2006	Ham .....	D3/294
D530,914 S *	10/2006	Jansson et al. ....	D3/282
7,246,704 B2 *	7/2007	Brunson et al. ....	206/372
D566,395 S *	4/2008	Langer et al. ....	D3/294
7,401,698 B2 *	7/2008	Dost et al. ....	206/349
D577,488 S *	9/2008	Weng et al. ....	D3/281
D579,659 S *	11/2008	Burkhard et al. ....	D3/294
D644,435 S *	9/2011	Weng .....	D3/279
2004/0187256 A1 *	9/2004	Lee .....	16/114.1
2011/0036735 A1 *	2/2011	Cho .....	206/349

\* cited by examiner

*Primary Examiner* — Jennifer Rivard

*Assistant Examiner* — April Rivas

(57) **CLAIM**

The ornamental design for a toolkit, as shown and described.

**DESCRIPTION**

FIG. 1 is a perspective view of a toolkit illustrating my new design;

FIG. 2 is a front elevational view thereof;

FIG. 3 is a rear elevational view thereof;

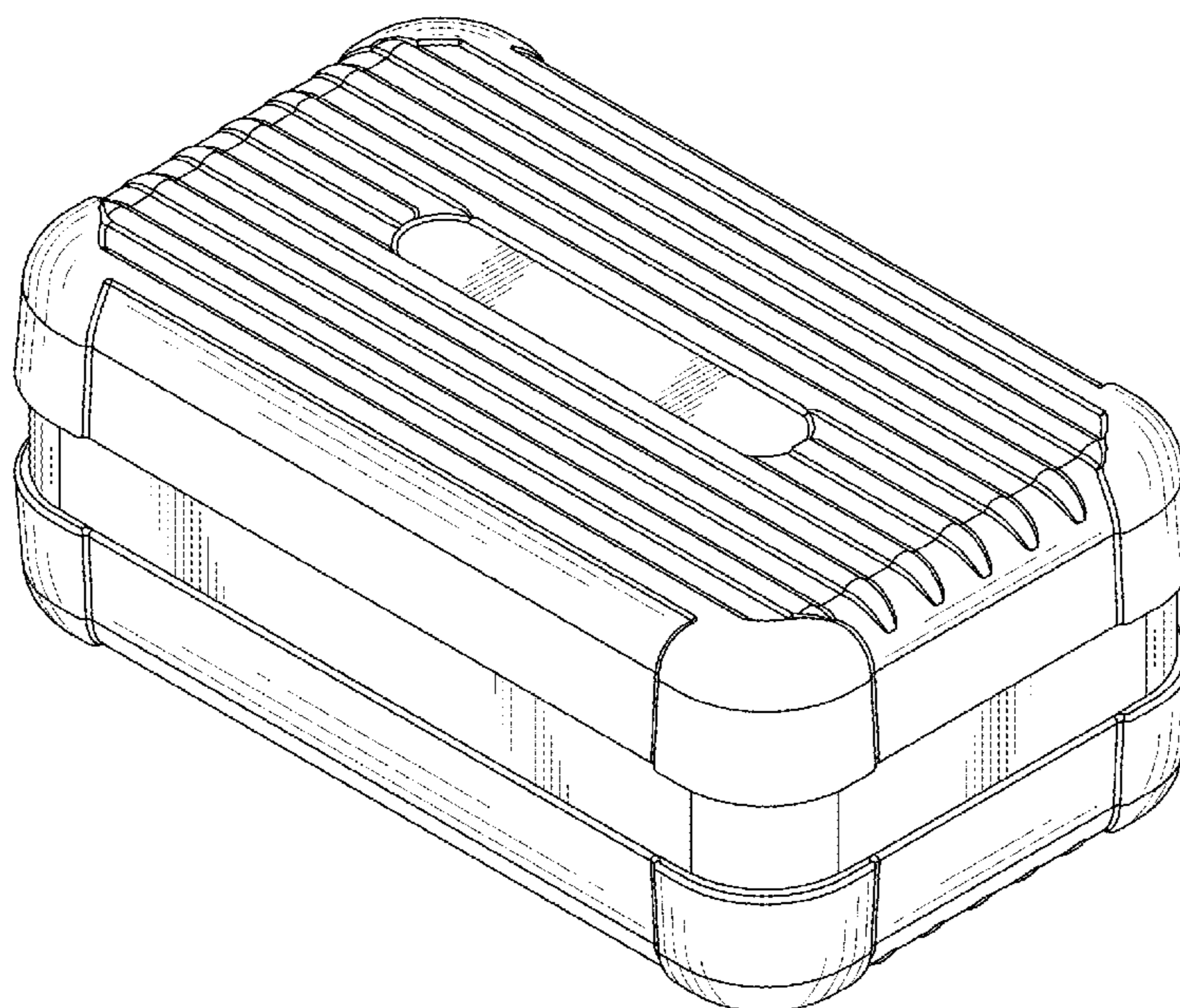
FIG. 4 is a left side view thereof;

FIG. 5 is a right side view thereof;

FIG. 6 is a top plan view thereof; and,

FIG. 7 is a bottom plan view thereof.

**1 Claim, 5 Drawing Sheets**



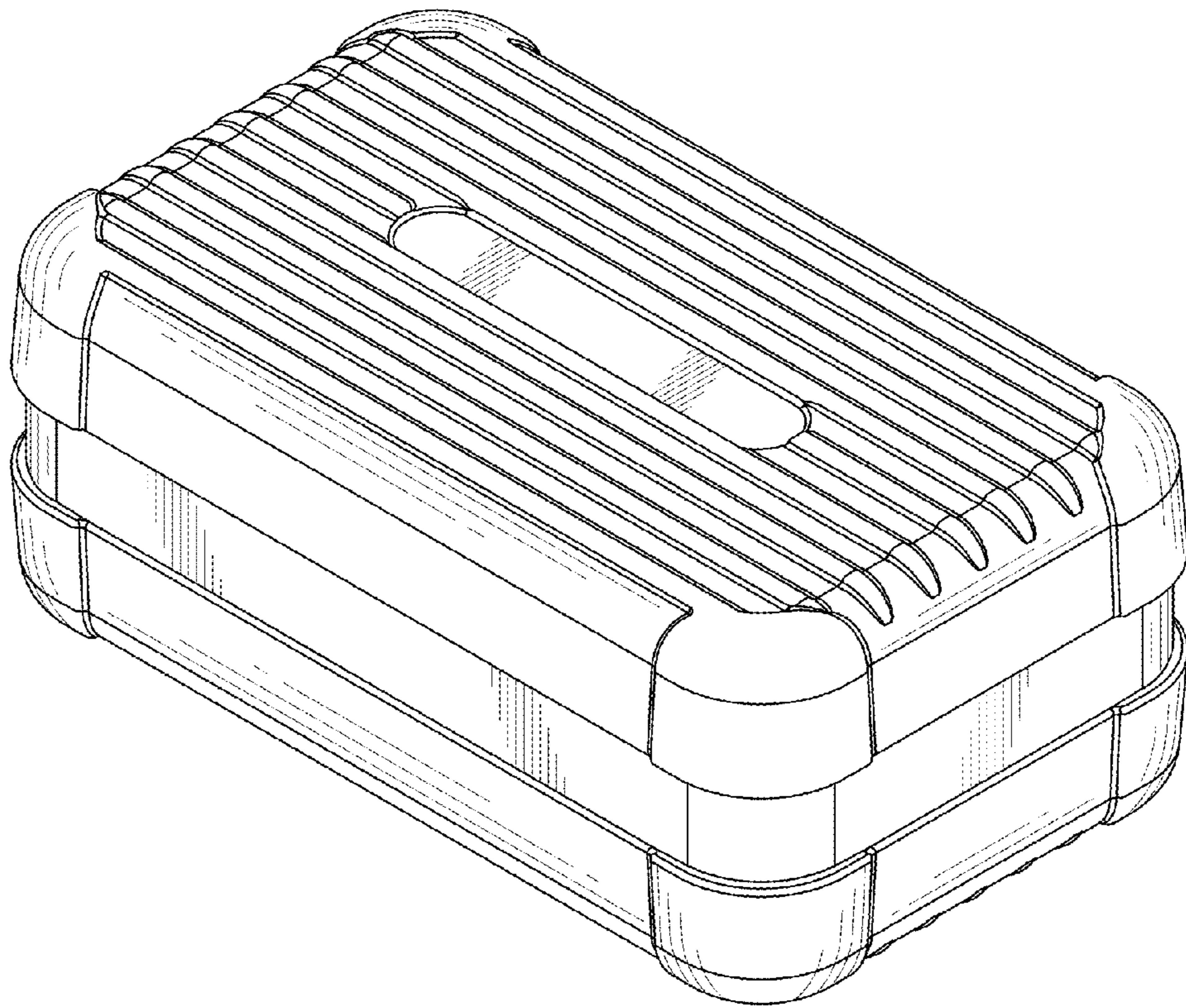


FIG.1

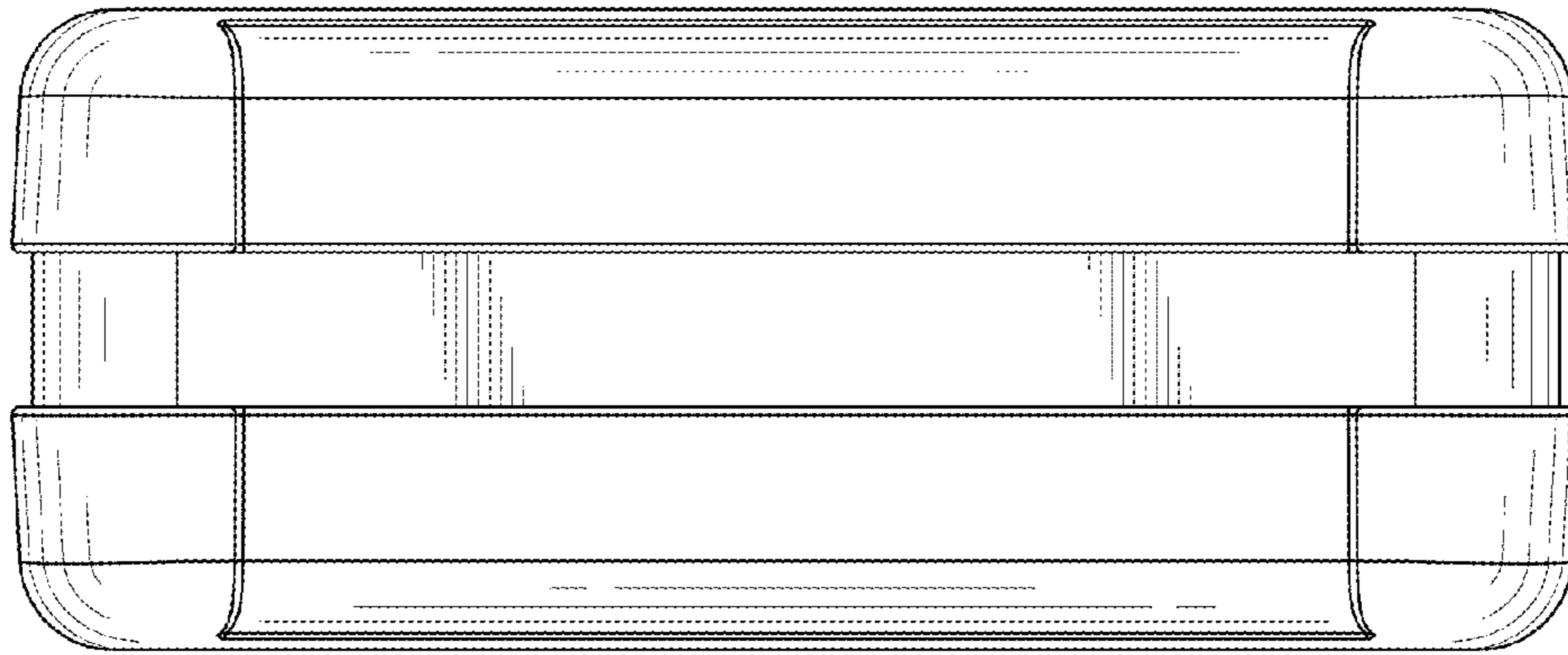


FIG. 2

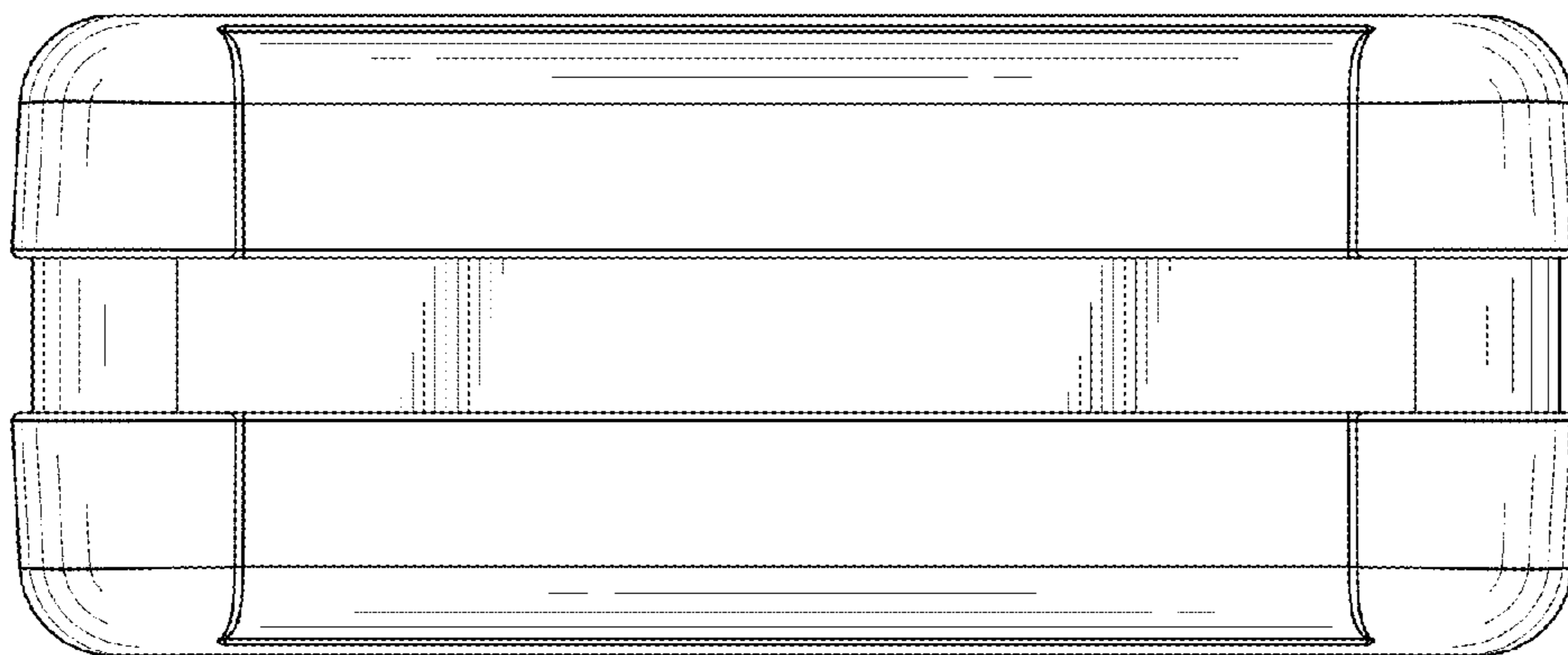


FIG. 3



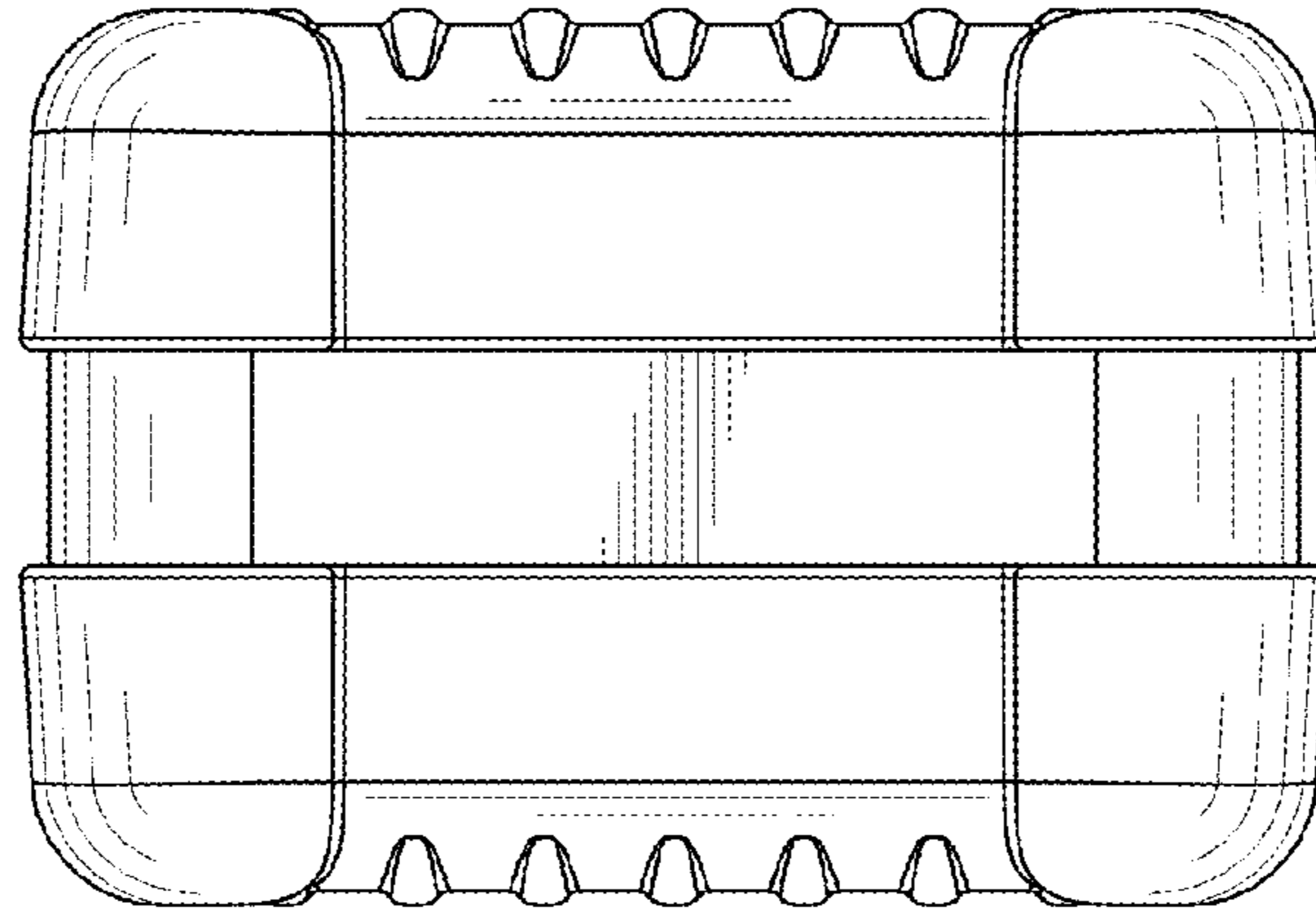


FIG.4

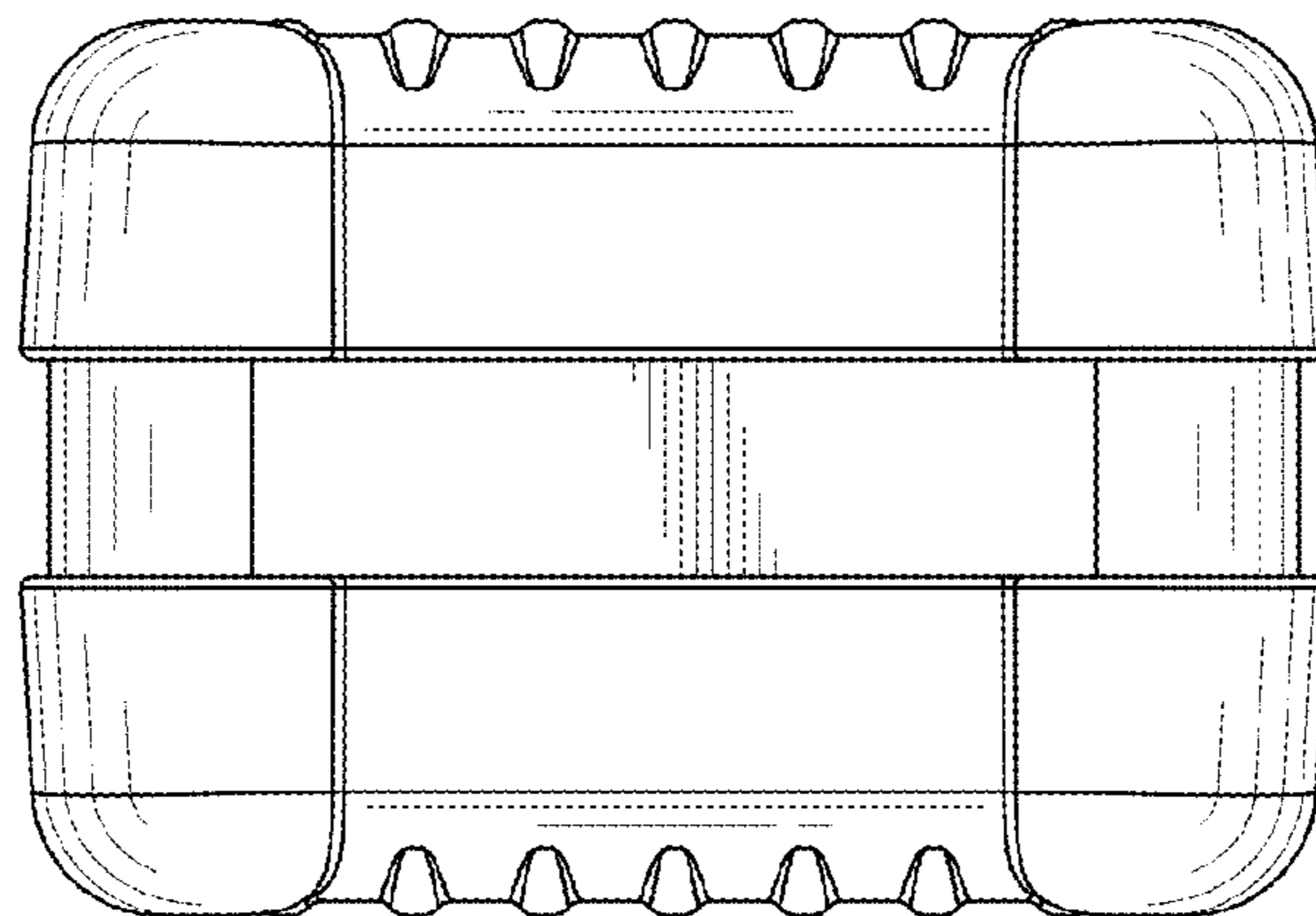


FIG.5

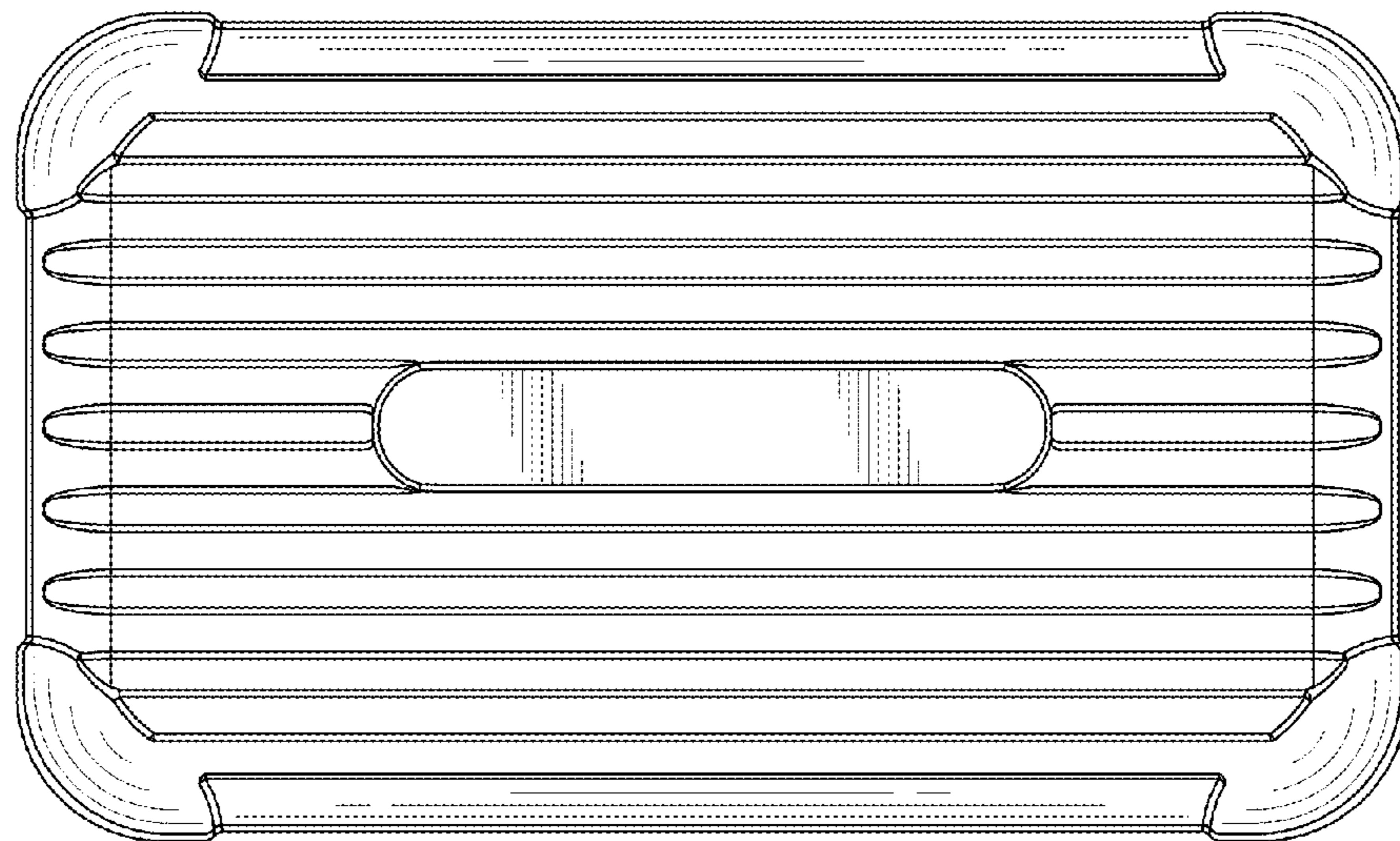


FIG.6

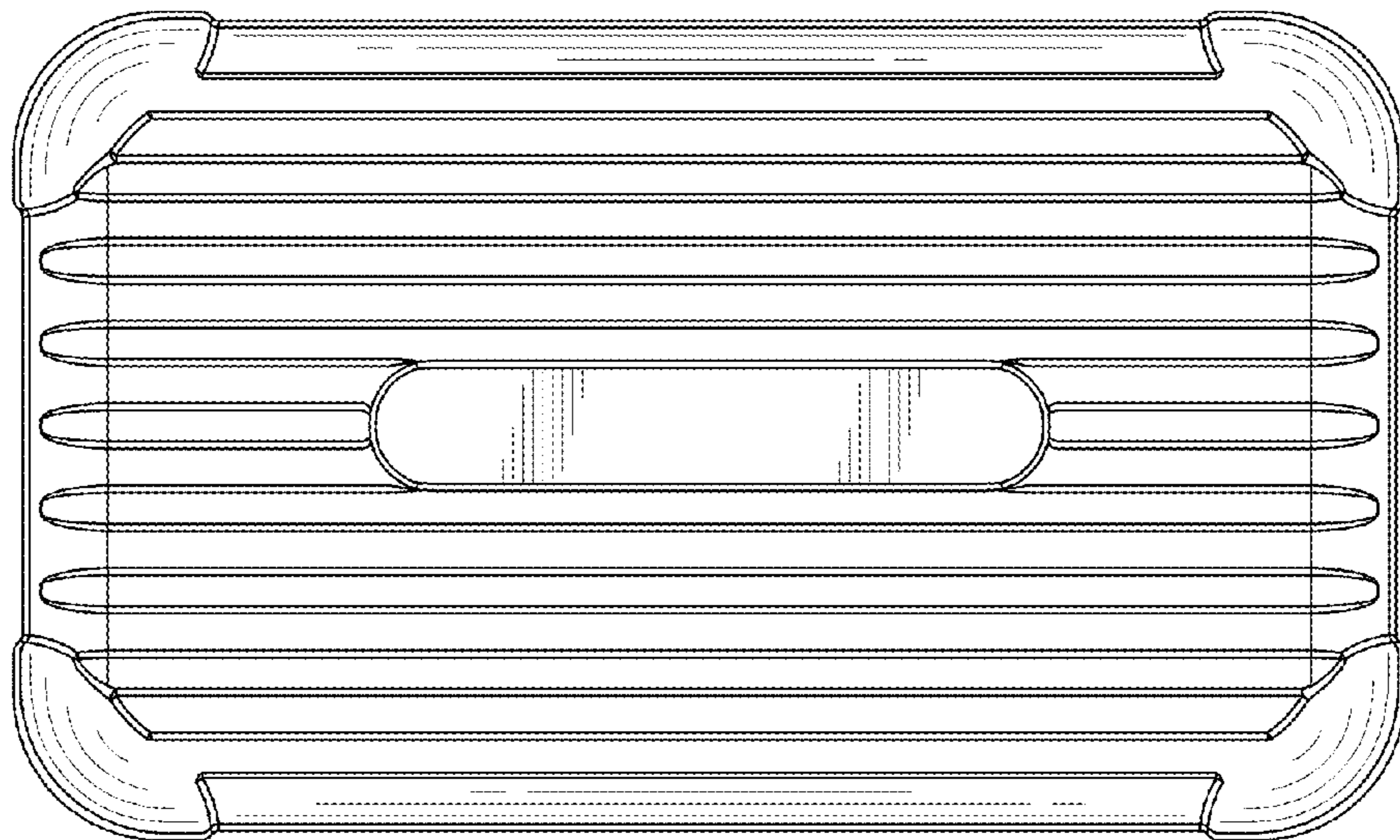


FIG.7