



US00D718047S

(12) **United States Design Patent**  
**Sassi**

(10) **Patent No.:** **US D718,047 S**  
(45) **Date of Patent:** **\*\* Nov. 25, 2014**

(54) **BAG**

(71) Applicant: **Valentino S.p.A.**, Milan (IT)

(72) Inventor: **Stefano Sassi**, Milan (IT)

(73) Assignee: **Valentino S.p.A.**, Milan (IT)

(\*\*) Term: **14 Years**

(21) Appl. No.: **29/460,259**

(22) Filed: **Jul. 9, 2013**

(30) **Foreign Application Priority Data**

Jan. 14, 2013 (IT) ..... MI2013O0007

(51) **LOC (10) Cl.** ..... **03-01**

(52) **U.S. Cl.**  
USPC ..... **D3/243**

(58) **Field of Classification Search**  
CPC ..... A45C 1/024; A45C 3/06  
USPC ..... D3/232-233, 240-243, 245-246;  
150/100, 103-110, 113-114, 117-119  
See application file for complete search history.

(56) **References Cited**

U.S. PATENT DOCUMENTS

D588,357 S *	3/2009	Fabricius .....	D3/232
D627,559 S *	11/2010	Gerbi .....	D3/232
D648,120 S *	11/2011	Gonzalez .....	D3/232
D665,575 S *	8/2012	Bouskill .....	D3/232
D666,808 S *	9/2012	Hermann .....	D3/232
D674,601 S *	1/2013	Gerbi .....	D3/243

\* cited by examiner

*Primary Examiner* — Holly Baynham

(74) *Attorney, Agent, or Firm* — Merchant & Gould P.C.

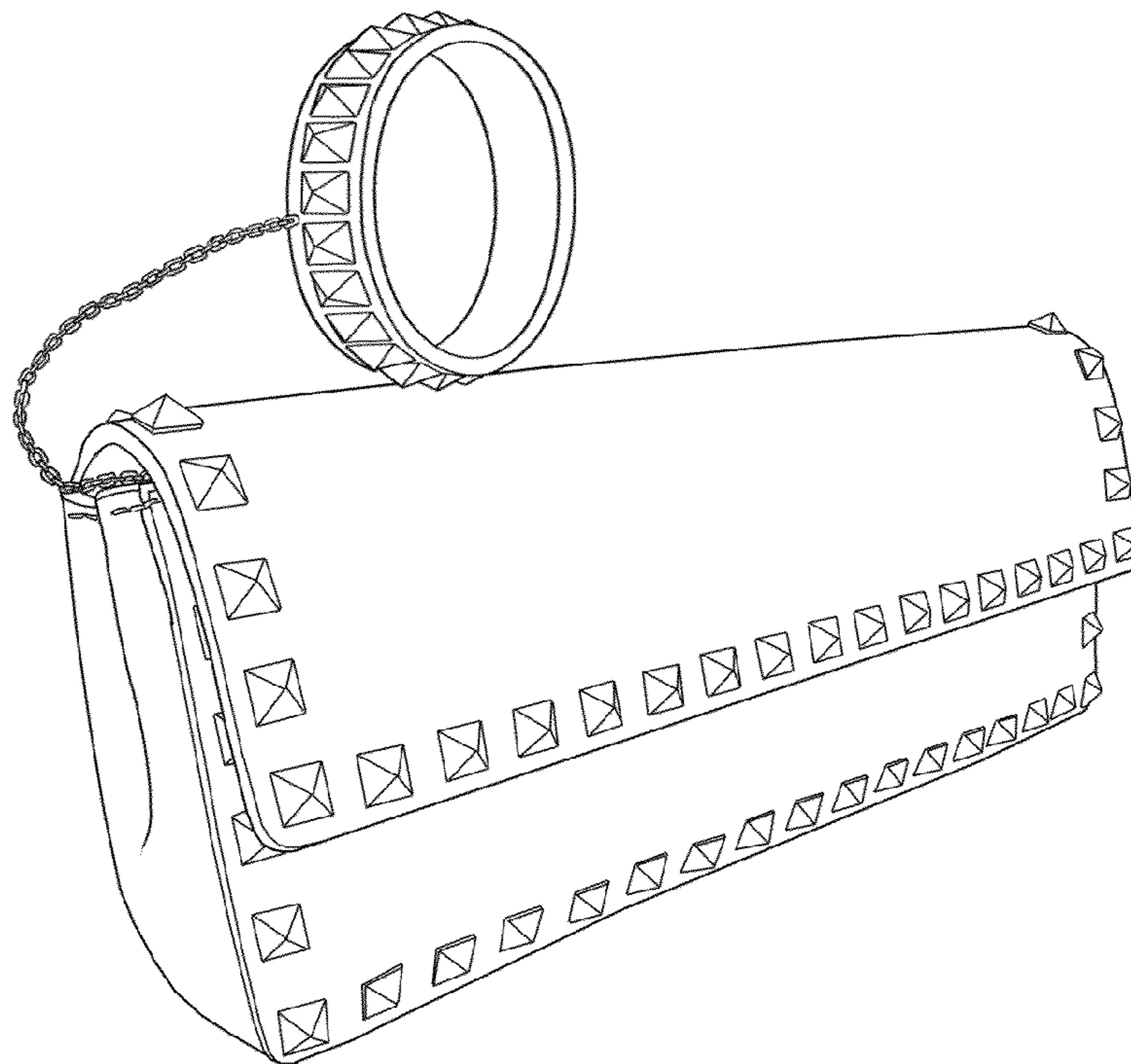
(57) **CLAIM**

The ornamental design for a bag, as shown and described.

**DESCRIPTION**

FIG. 1 is a perspective view of a bag showing my new design;  
FIG. 2 is a front view thereof;  
FIG. 3 is a rear view thereof;  
FIG. 4 is a left side view thereof;  
FIG. 5 is a right side view thereof;  
FIG. 6 is a top plan view thereof; and,  
FIG. 7 is a bottom plan view thereof.

**1 Claim, 7 Drawing Sheets**



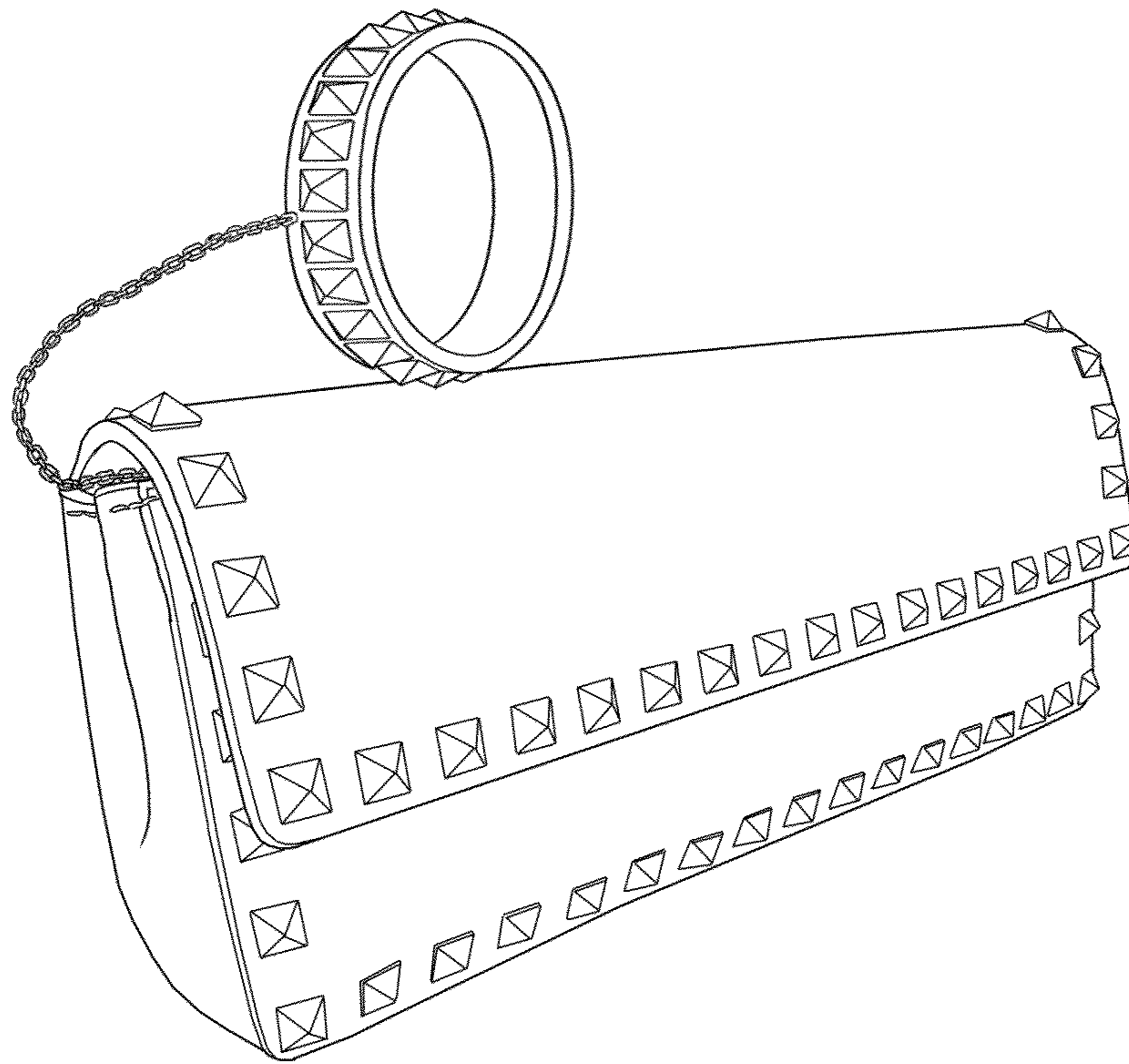


Fig. 1

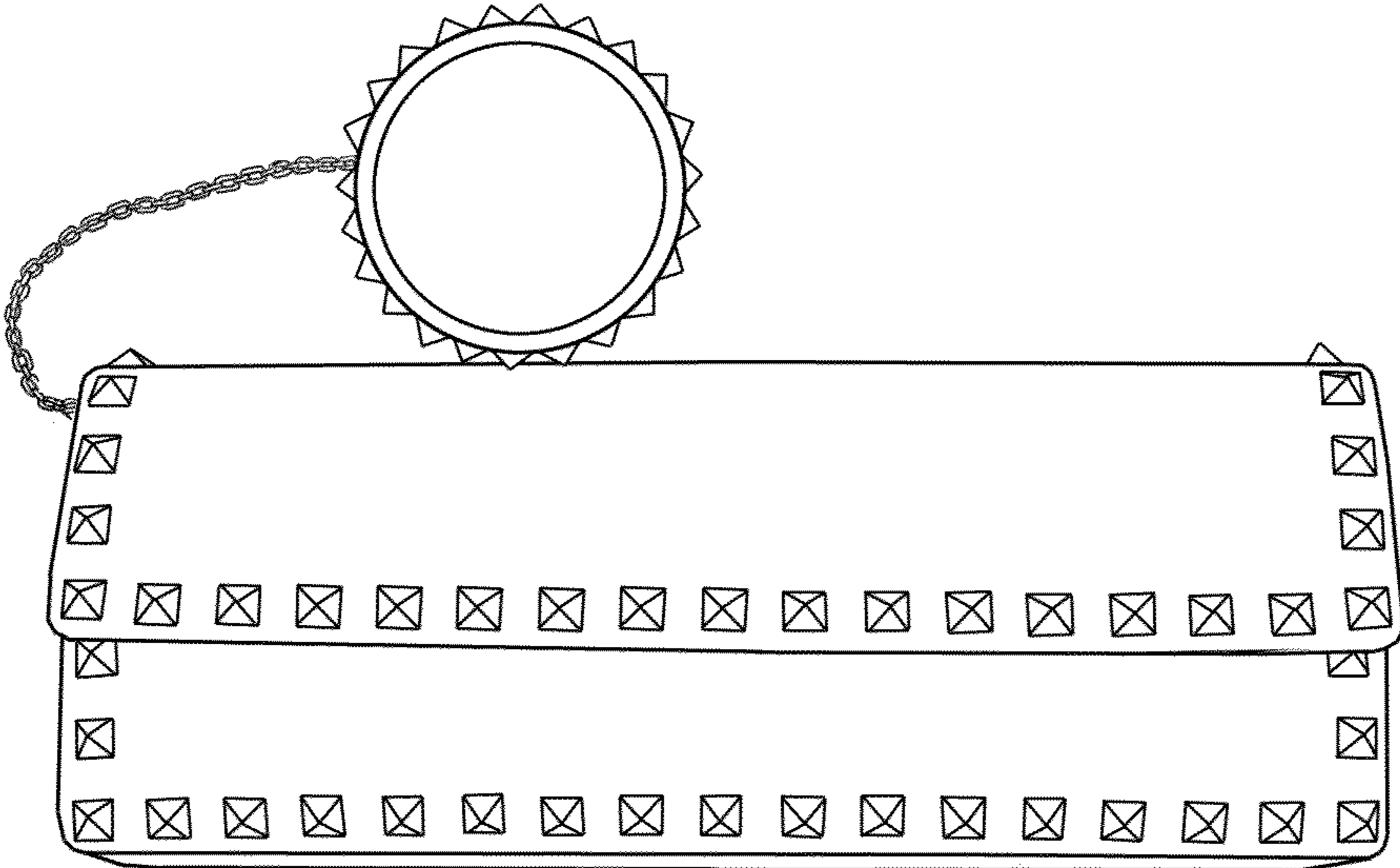


Fig. 2

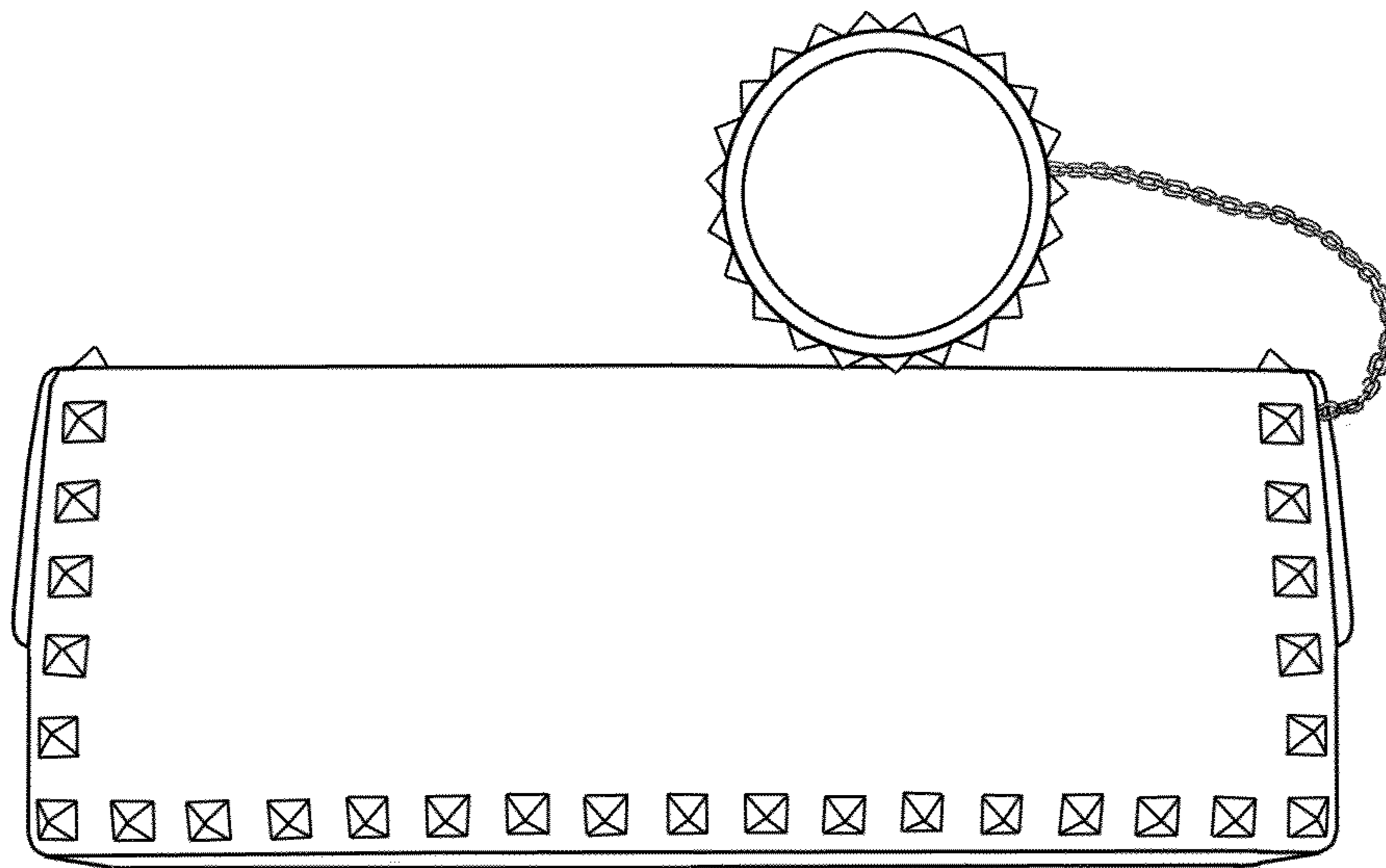


Fig. 3

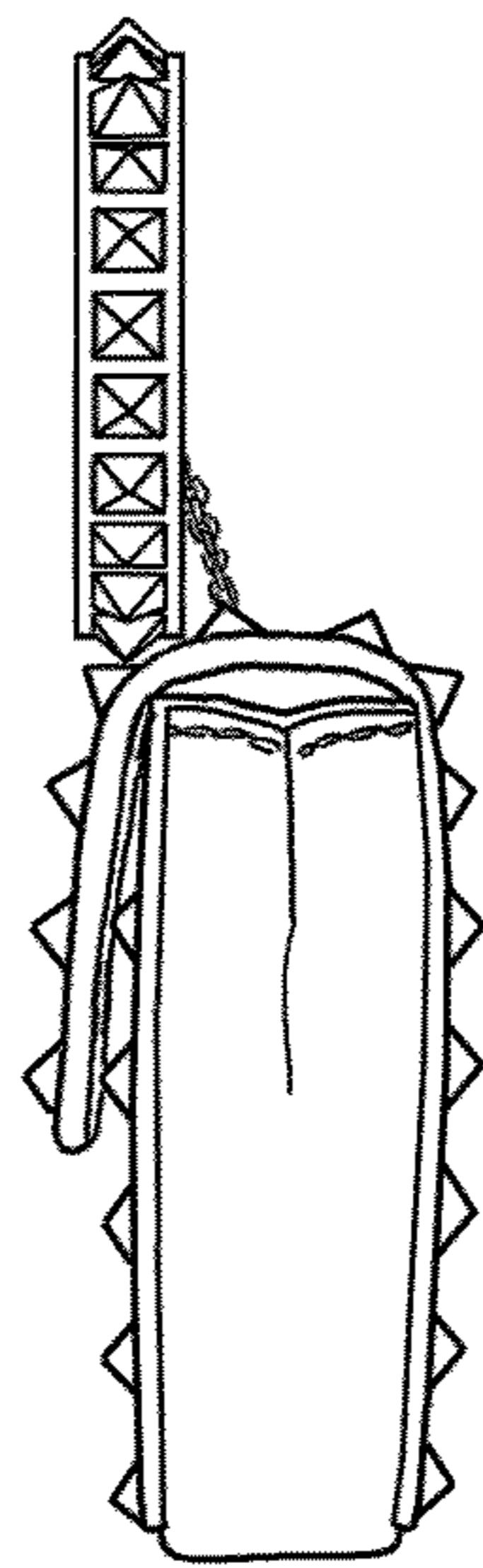


Fig. 4

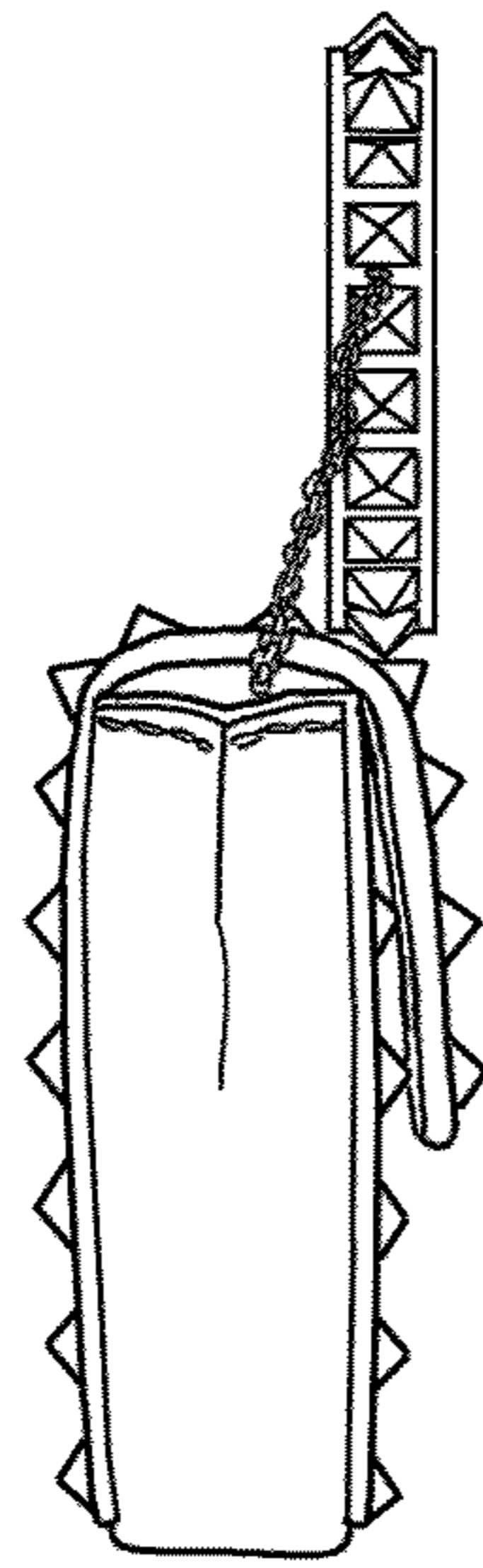


Fig. 5

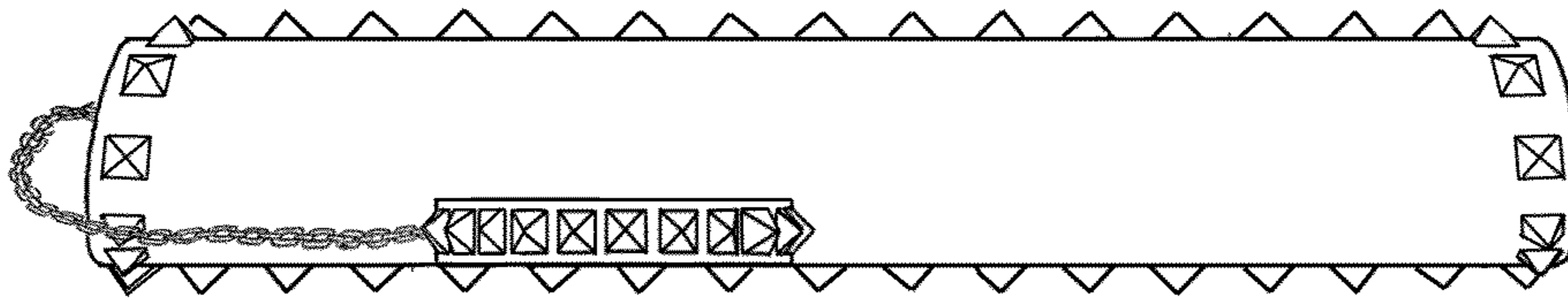


Fig. 6



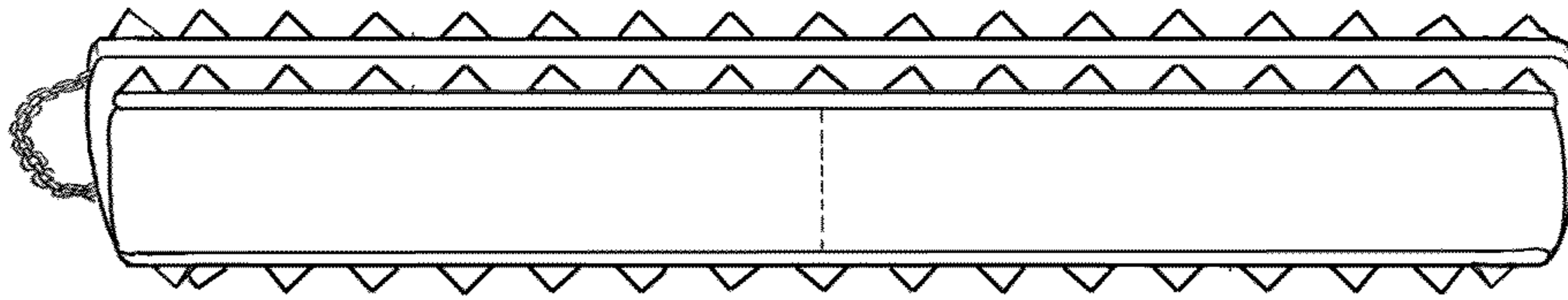


Fig. 7