



US00D718045S

(12) **United States Design Patent**
Fasciglione

(10) **Patent No.:** **US D718,045 S**
(45) **Date of Patent:** **** Nov. 25, 2014**

(54) **TOILETRY CASE**

DESCRIPTION

(71) Applicant: **Gabriel Joseph Fasciglione**, Miami, FL (US)

(72) Inventor: **Gabriel Joseph Fasciglione**, Miami, FL (US)

(**) Term: **14 Years**

(21) Appl. No.: **29/473,950**

(22) Filed: **Nov. 27, 2013**

(51) **LOC (10) Cl.** **03-02**

(52) **U.S. Cl.**
USPC **D3/205**

(58) **Field of Classification Search**
USPC D3/201, 205, 206, 315-317, 294, 304;
190/100, 124, 903; 206/38, 235, 581,
206/823; D9/505

See application file for complete search history.

(56) **References Cited**

U.S. PATENT DOCUMENTS

D100,353 S *	7/1936	Mosheim	D9/505
D270,896 S *	10/1983	Bailod	D3/304
D474,014 S *	5/2003	Barnard et al.	D3/206
7,255,704 B2 *	8/2007	Hogan et al.	606/131
D570,098 S *	6/2008	Luzon	D3/205
2006/0000742 A1 *	1/2006	Consulich	206/581

* cited by examiner

Primary Examiner — Ian Simmons

Assistant Examiner — Charles Hanson

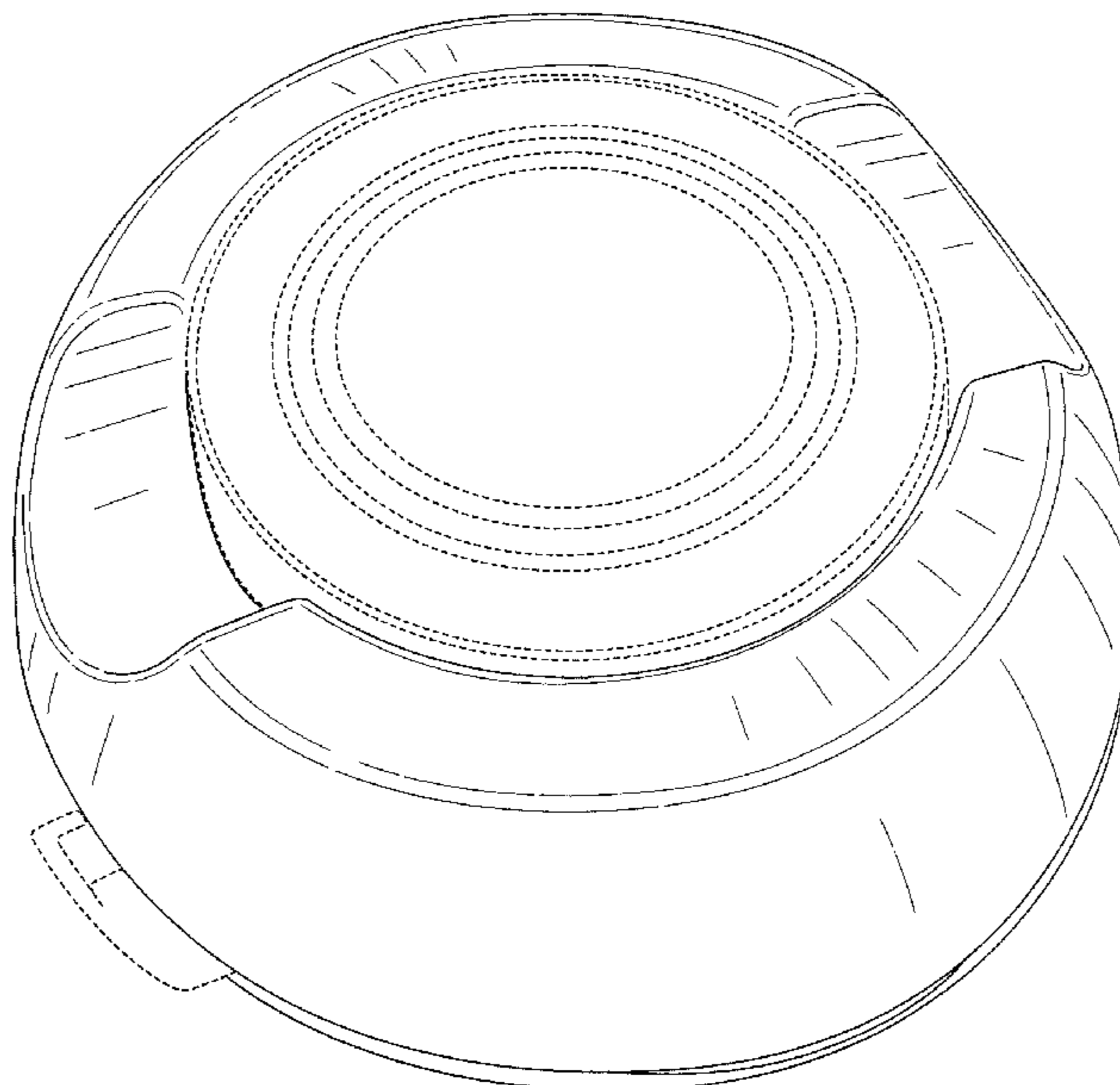
(74) *Attorney, Agent, or Firm* — Dickstein Shapiro LLP

(57) **CLAIM**

The ornamental design for a toiletry case, as shown and described.

FIG. 1 is a perspective view of a toiletry case showing my new design;
 FIG. 2 is a left-side elevational view of the toiletry case shown in FIG. 1;
 FIG. 3 is a front elevational view of the toiletry case shown in FIG. 1;
 FIG. 4 is a rear elevational view of the toiletry case shown in FIG. 1;
 FIG. 5 is a right-side elevational view of the toiletry case shown in FIG. 1;
 FIG. 6 is a top plan view of the toiletry case shown in FIG. 1;
 FIG. 7 is a bottom plan view of the toiletry case shown in FIG. 1;
 FIG. 8 is an alternative perspective view, showing the toiletry case in a different configuration than from that shown in FIG. 1;
 FIG. 9 is a left-side elevational view of the toiletry case shown in FIG. 8;
 FIG. 10 is a front elevational view of the toiletry case shown in FIG. 8;
 FIG. 11 is a rear elevational view of the toiletry case shown in FIG. 8;
 FIG. 12 is a right-side elevational view of the toiletry case shown in FIG. 8;
 FIG. 13 is a top plan view of the toiletry case shown in FIG. 8;
 FIG. 14 is a bottom plan view of the toiletry case shown in FIG. 8; and,
 FIG. 15 is a further alternative perspective assembly view, showing the toiletry case in a different configuration than from that shown in FIGS. 1 and 8.
 The broken lines shown in the drawing are for illustrative purposes only and form no part of the claimed design.

1 Claim, 15 Drawing Sheets



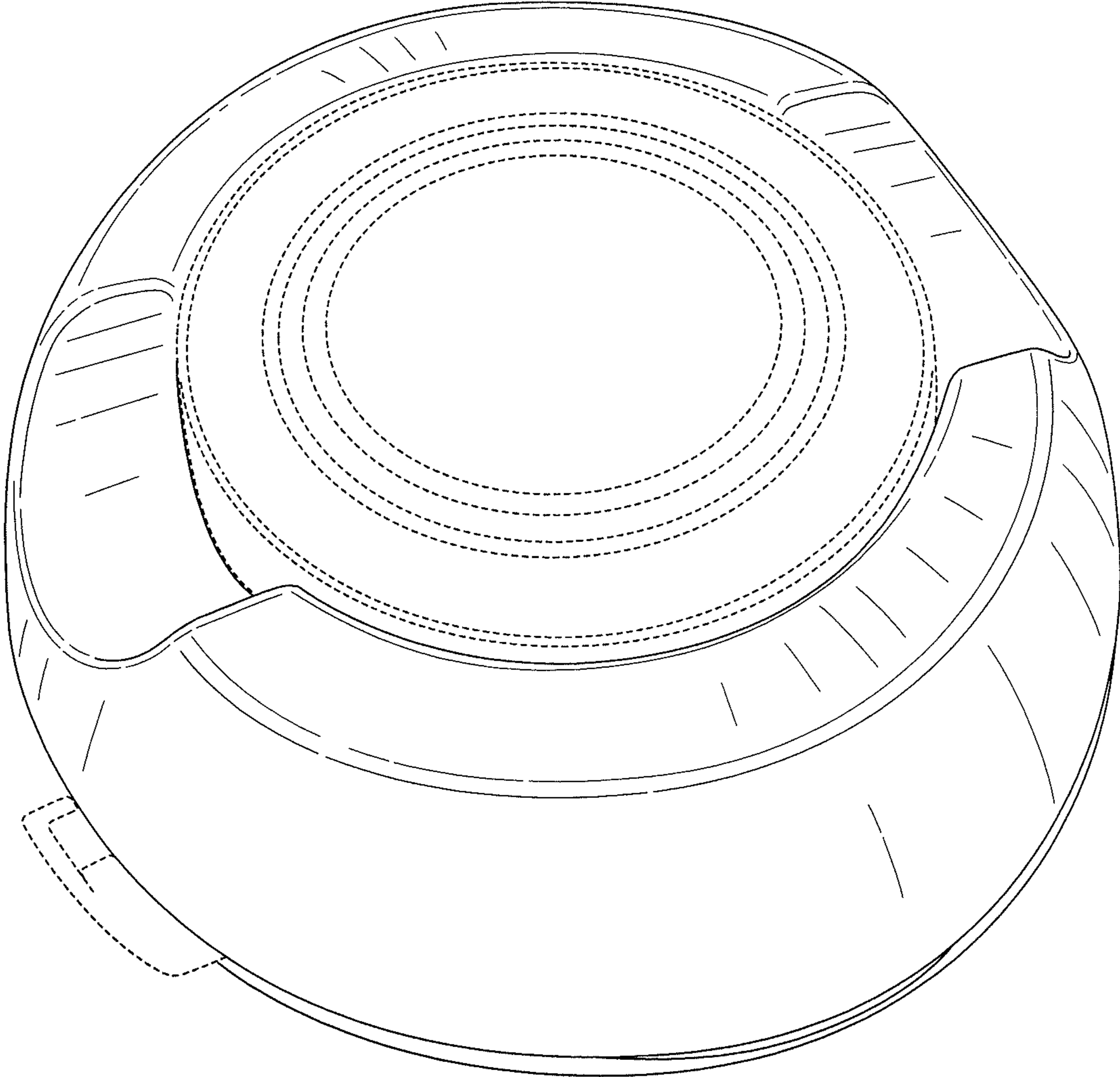


FIG. 1

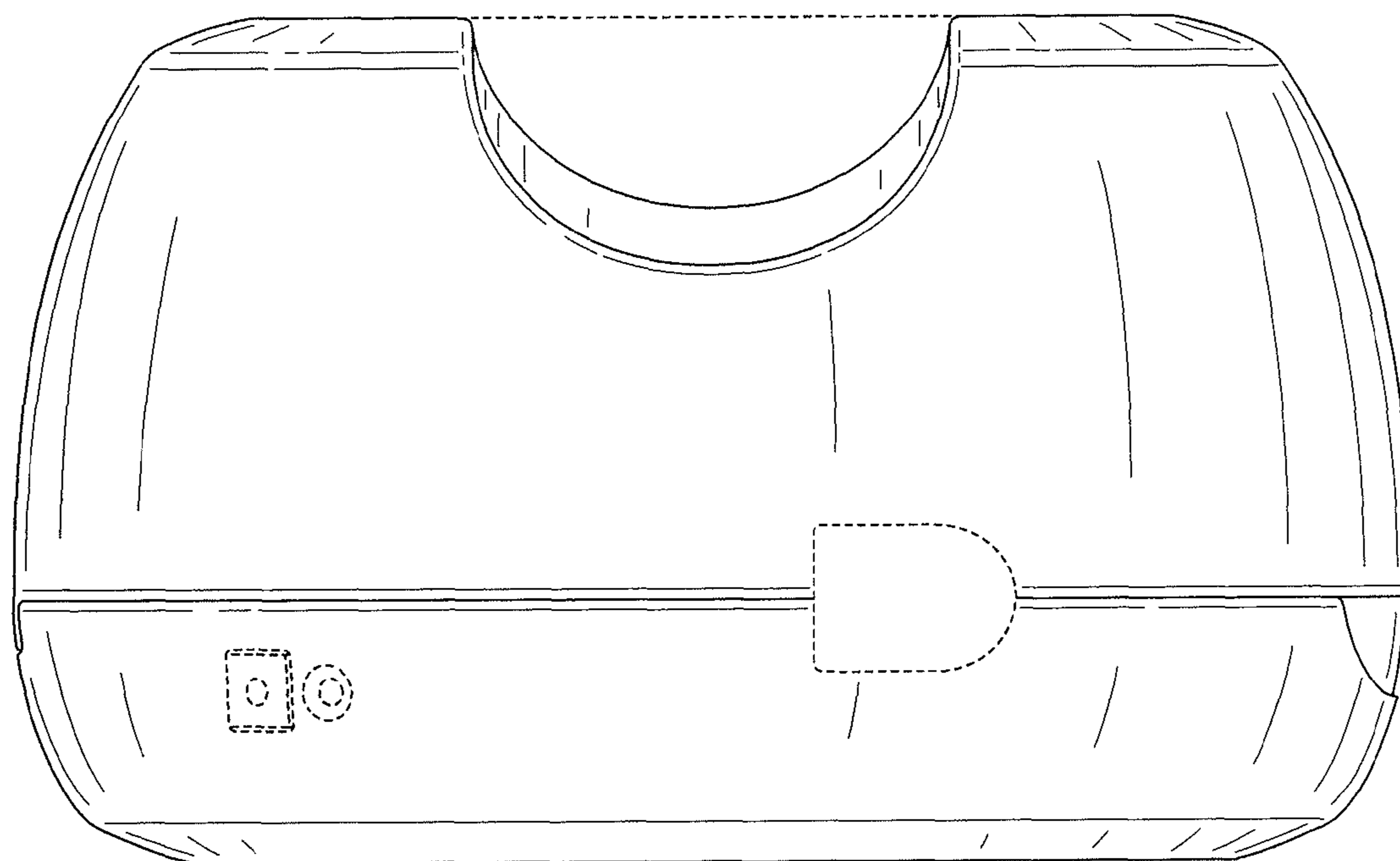


FIG. 2

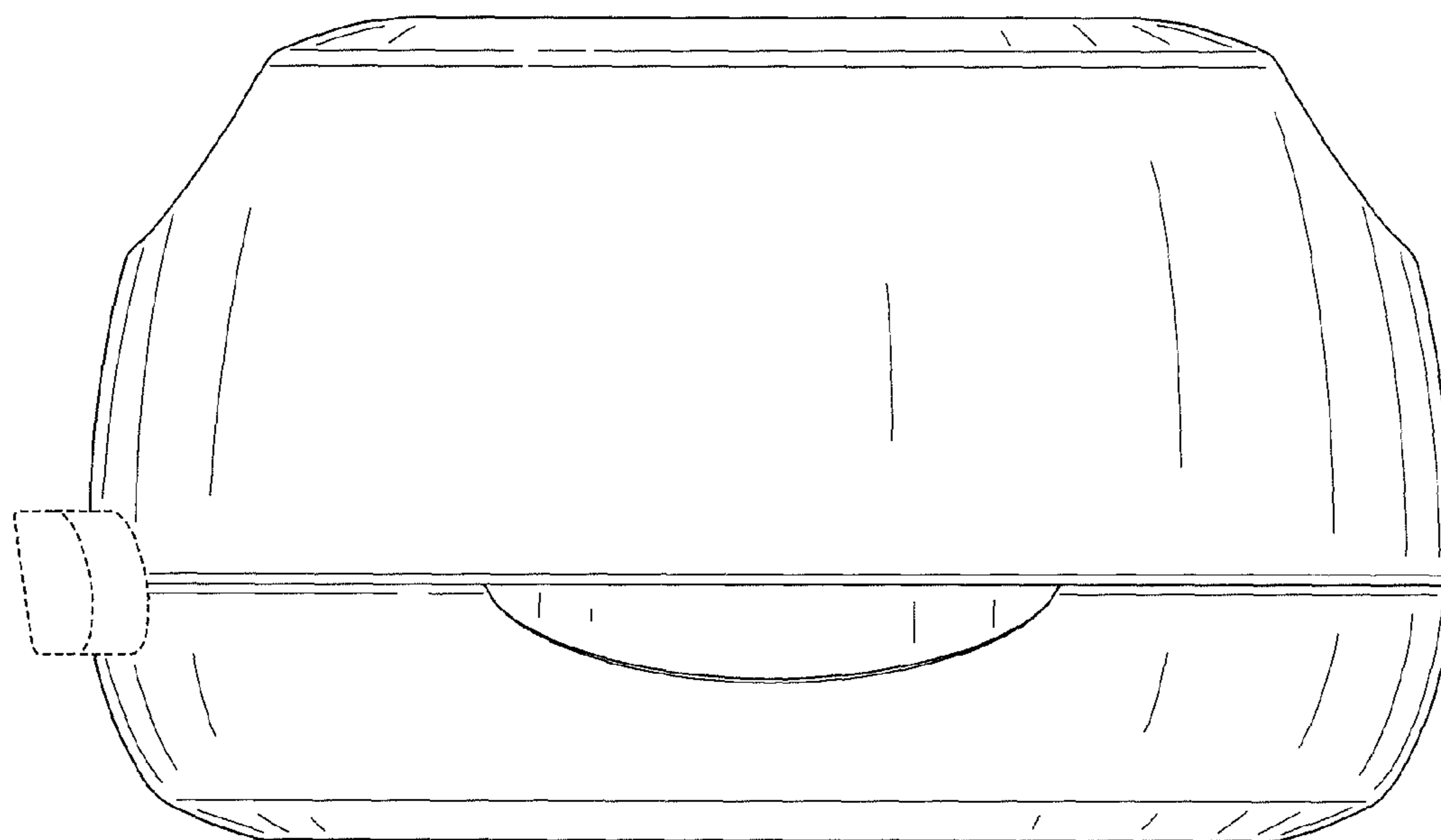


FIG. 3

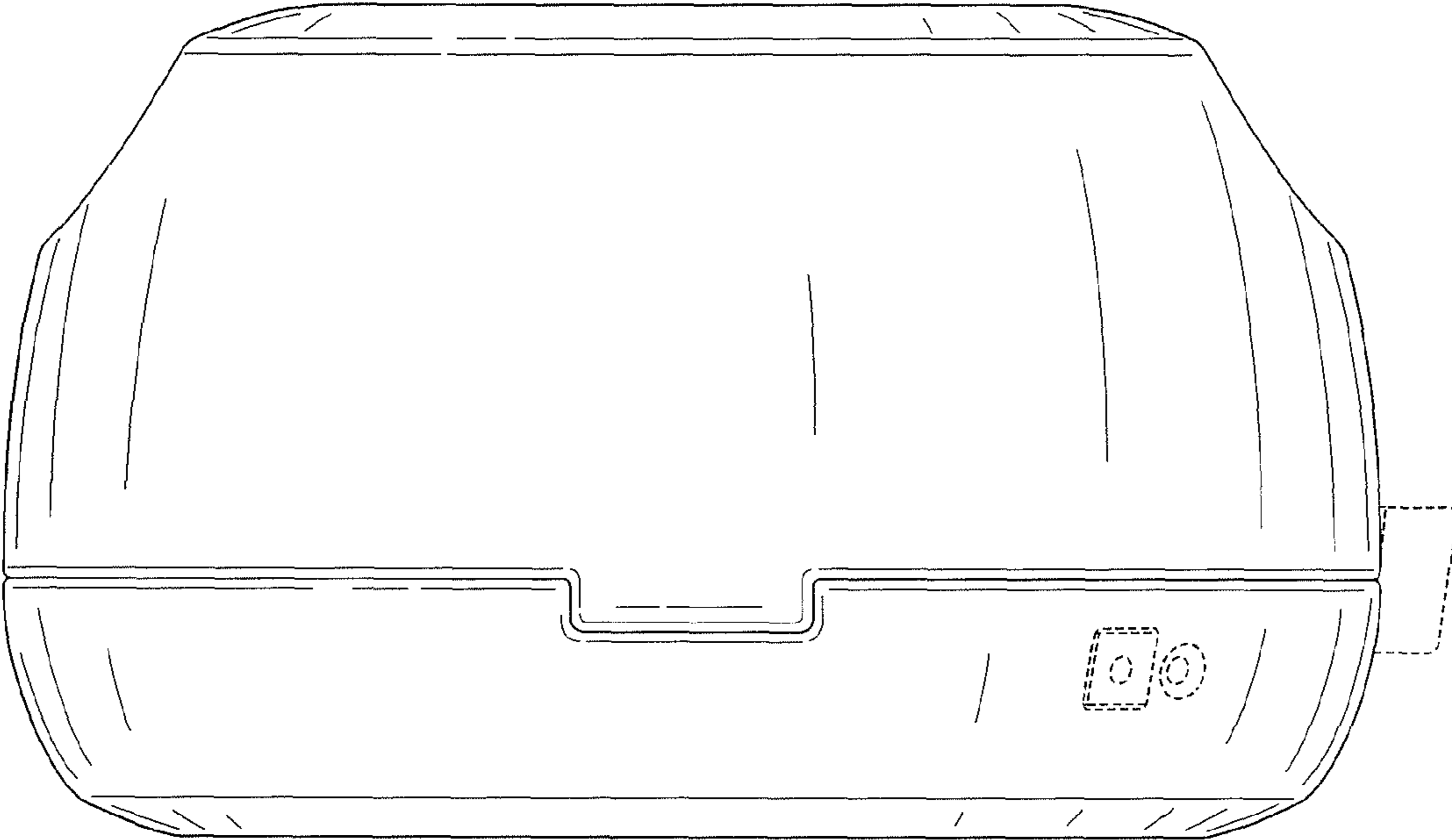


FIG. 4

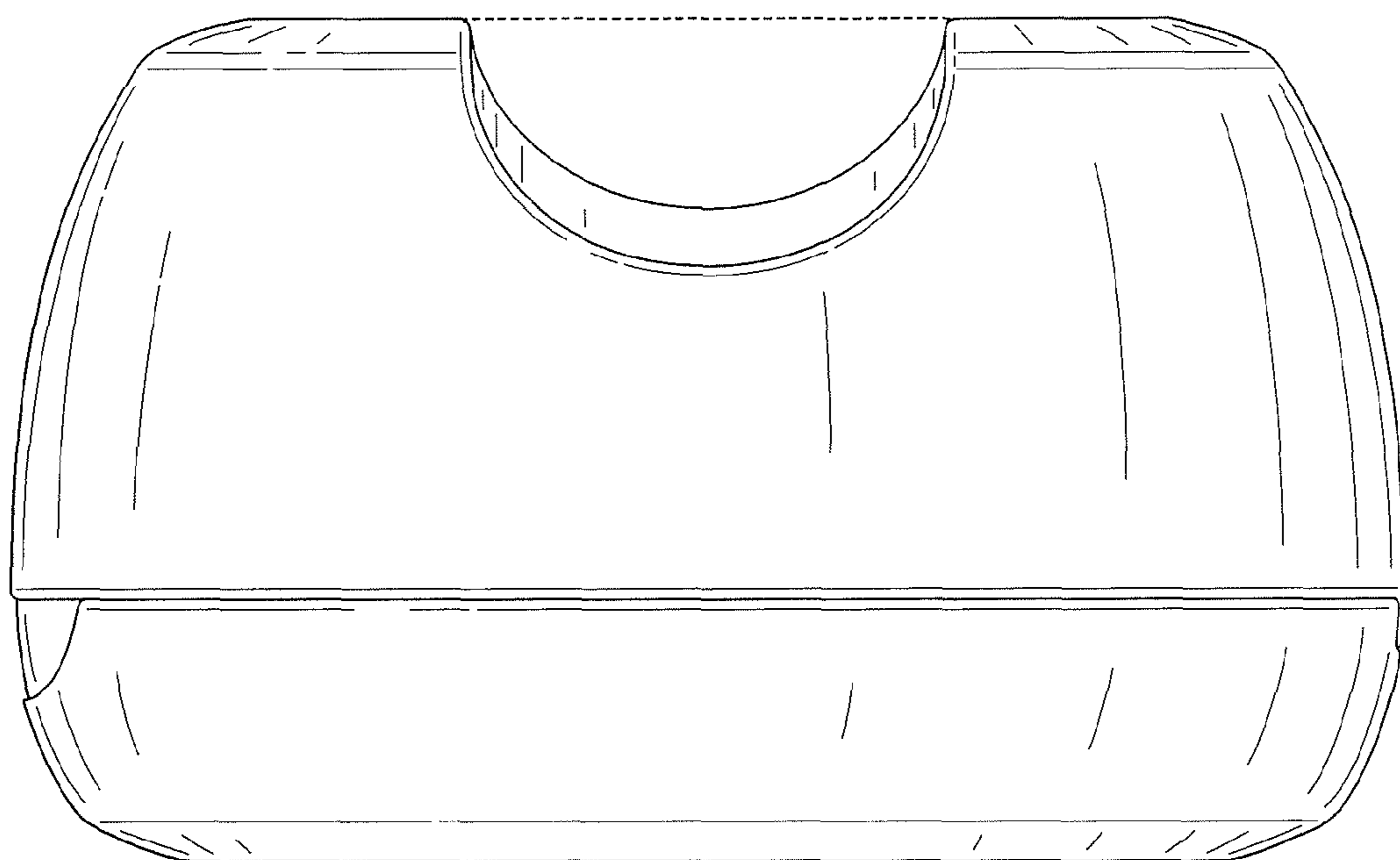


FIG. 5

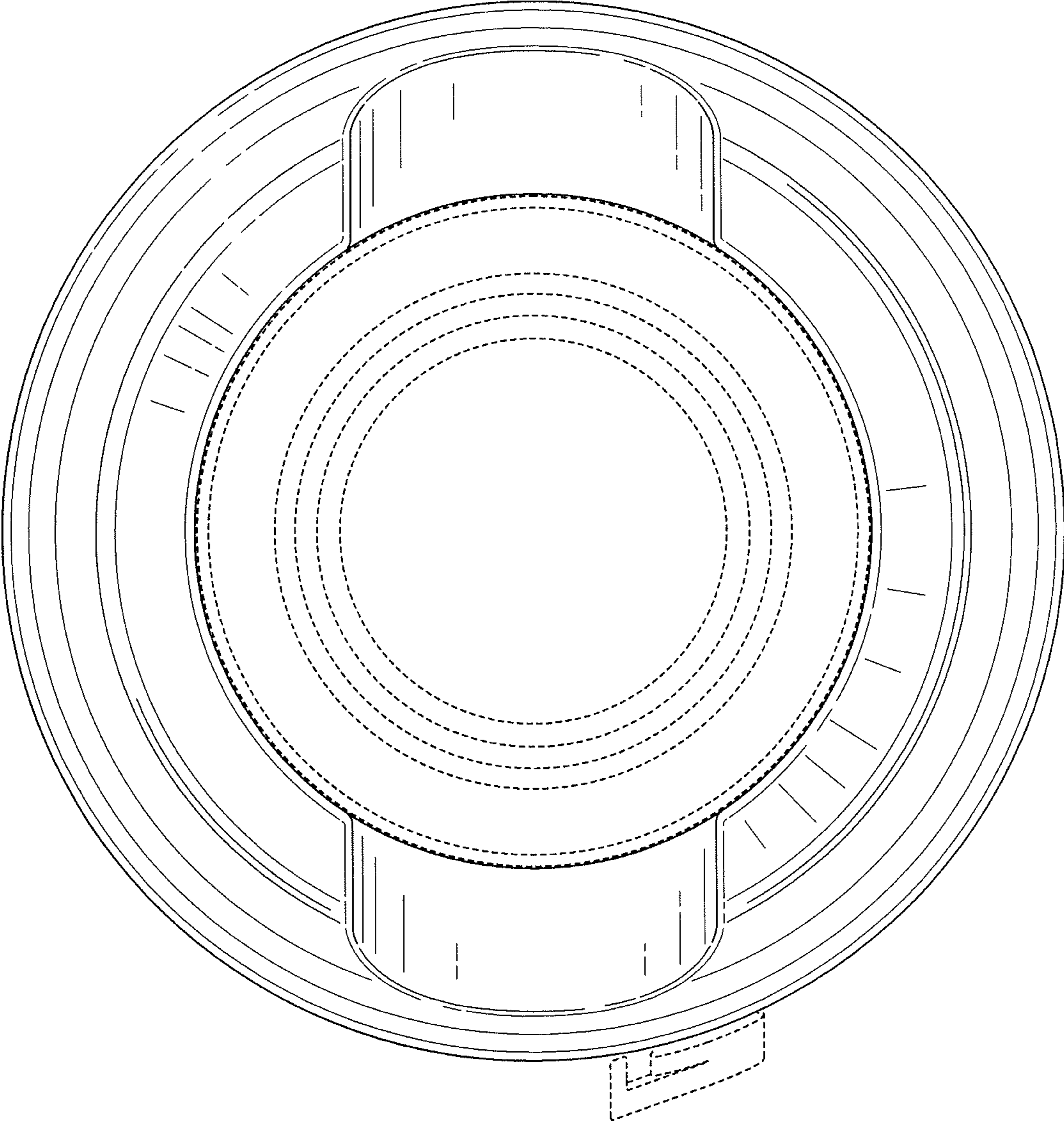


FIG. 6

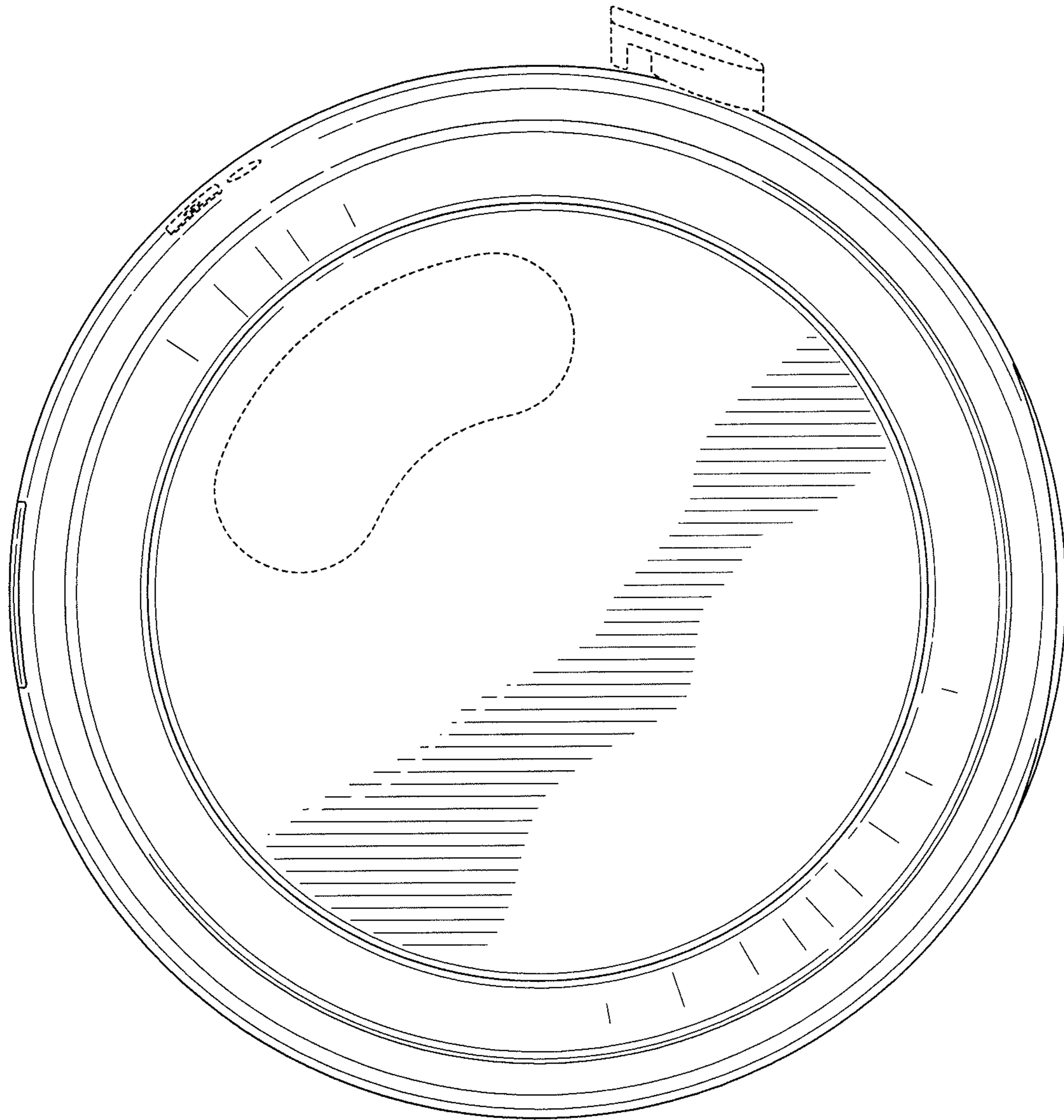


FIG. 7

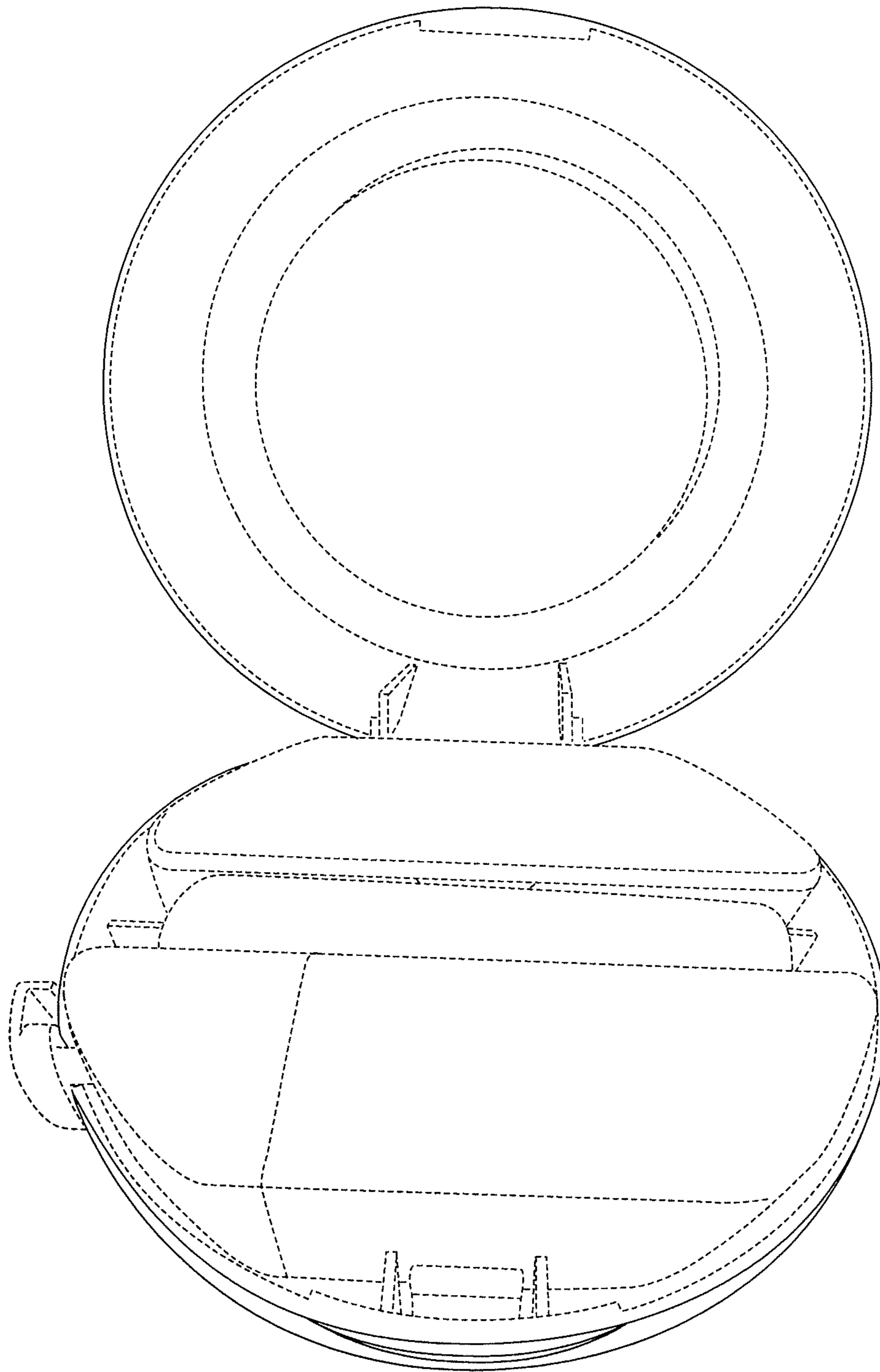


FIG. 8

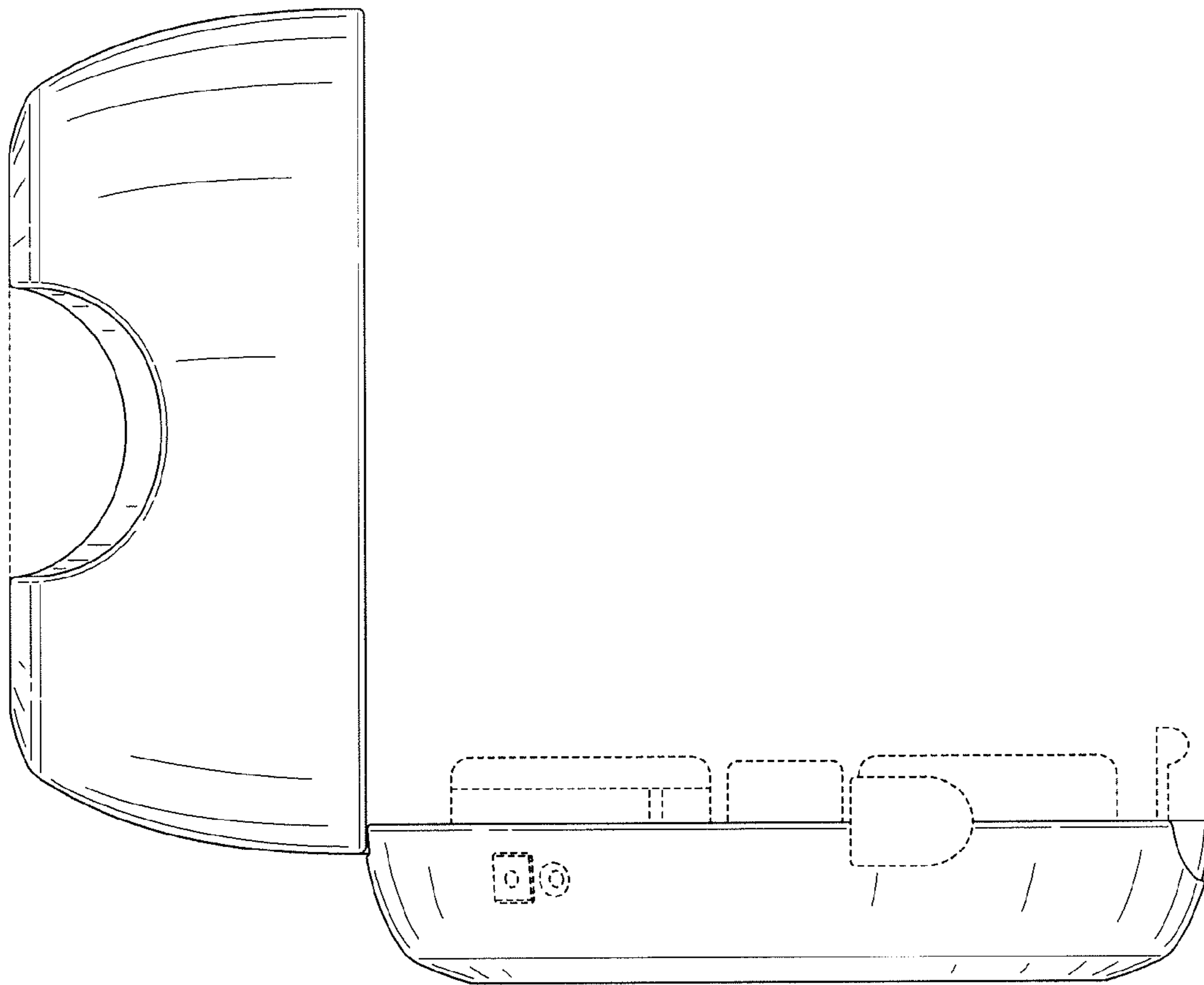


FIG. 9

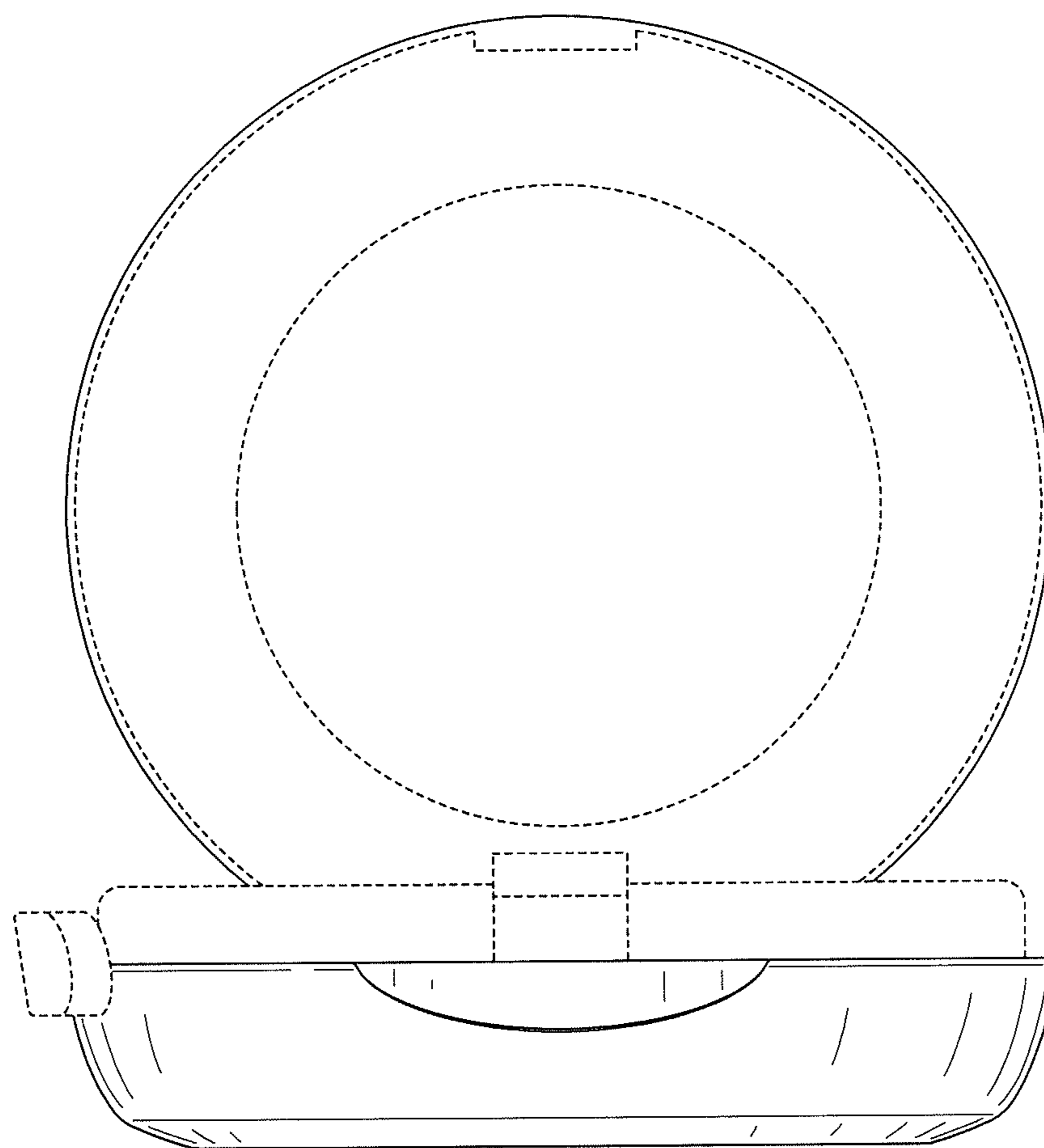


FIG. 10

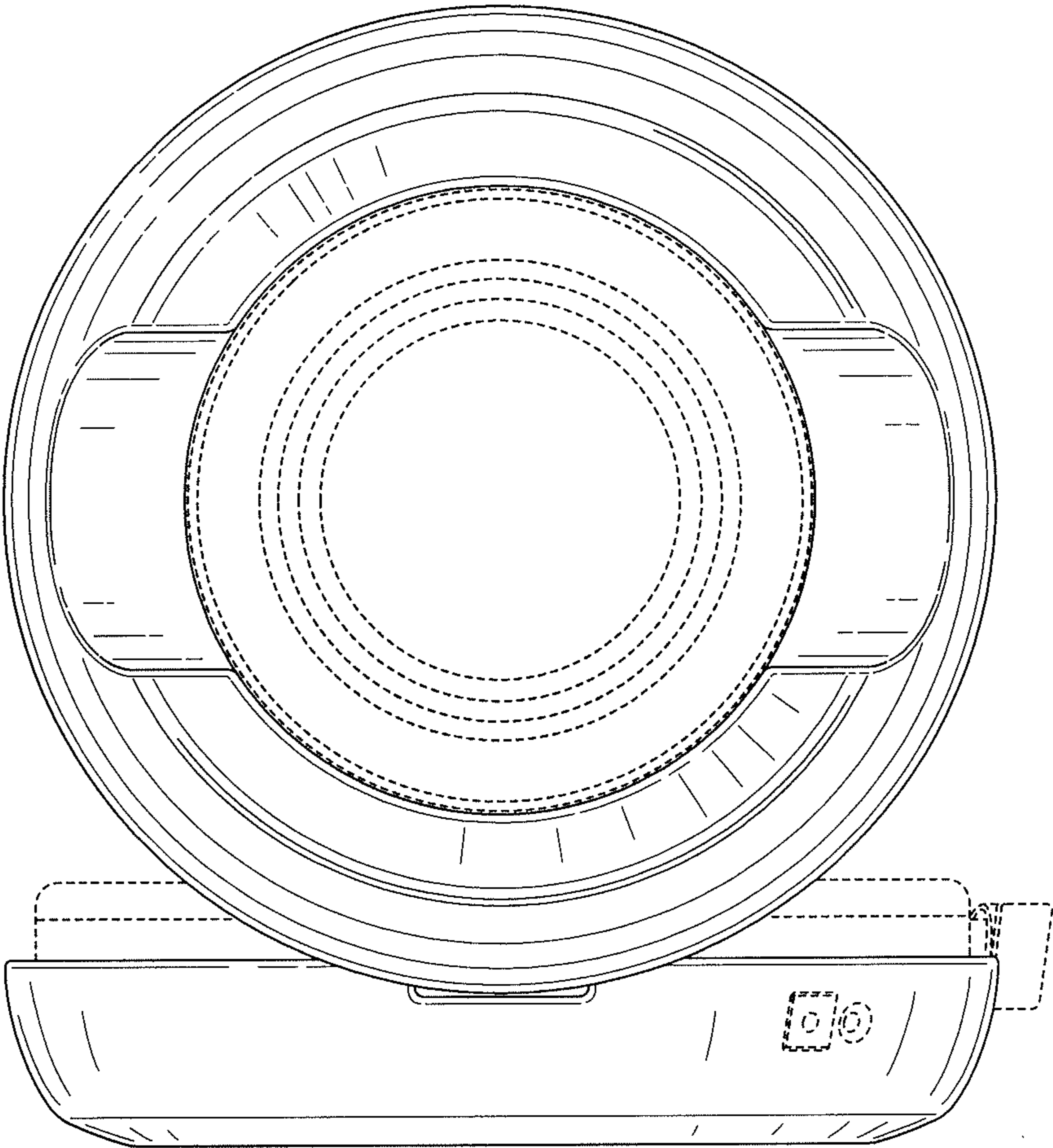


FIG. 11

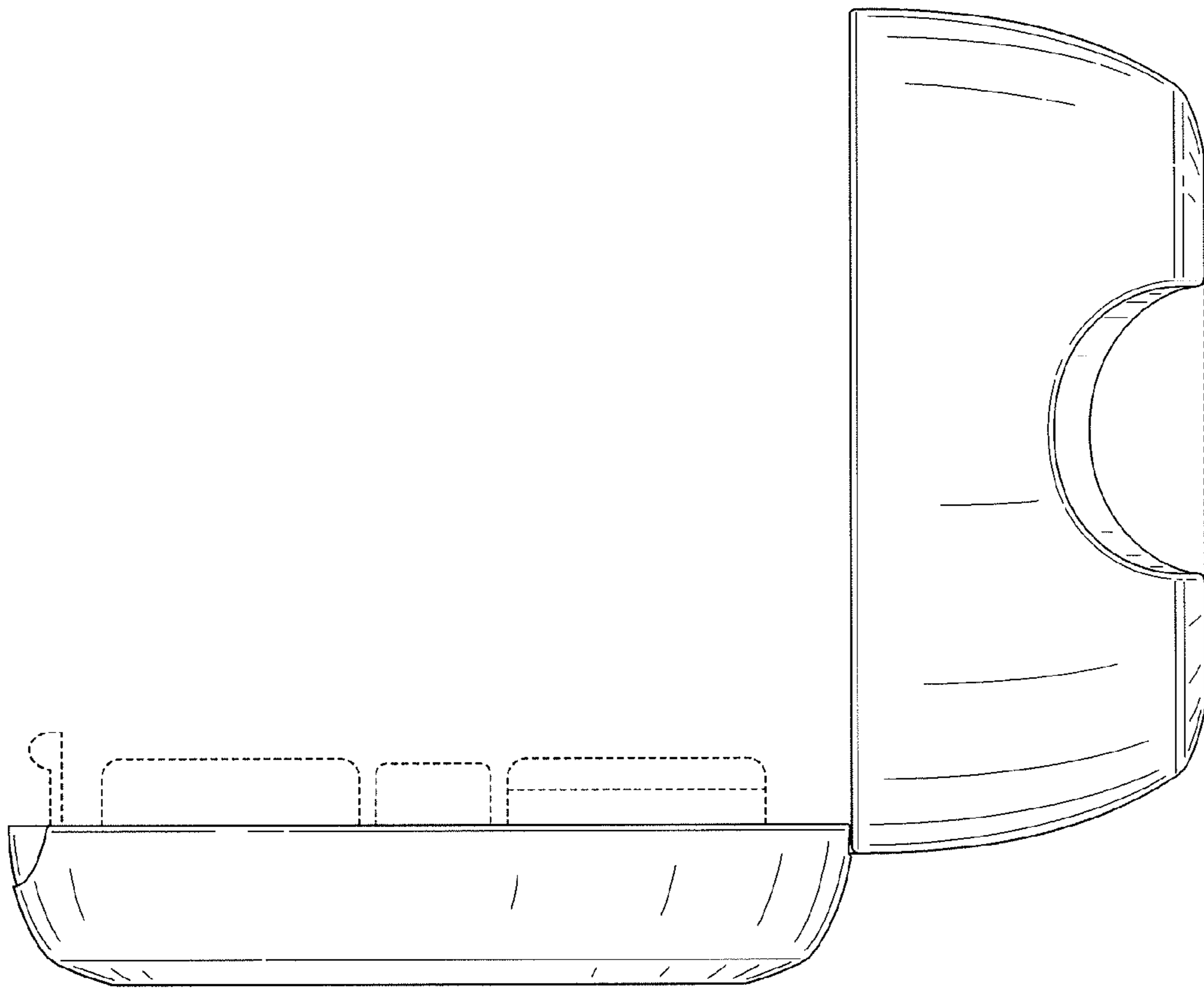


FIG. 12

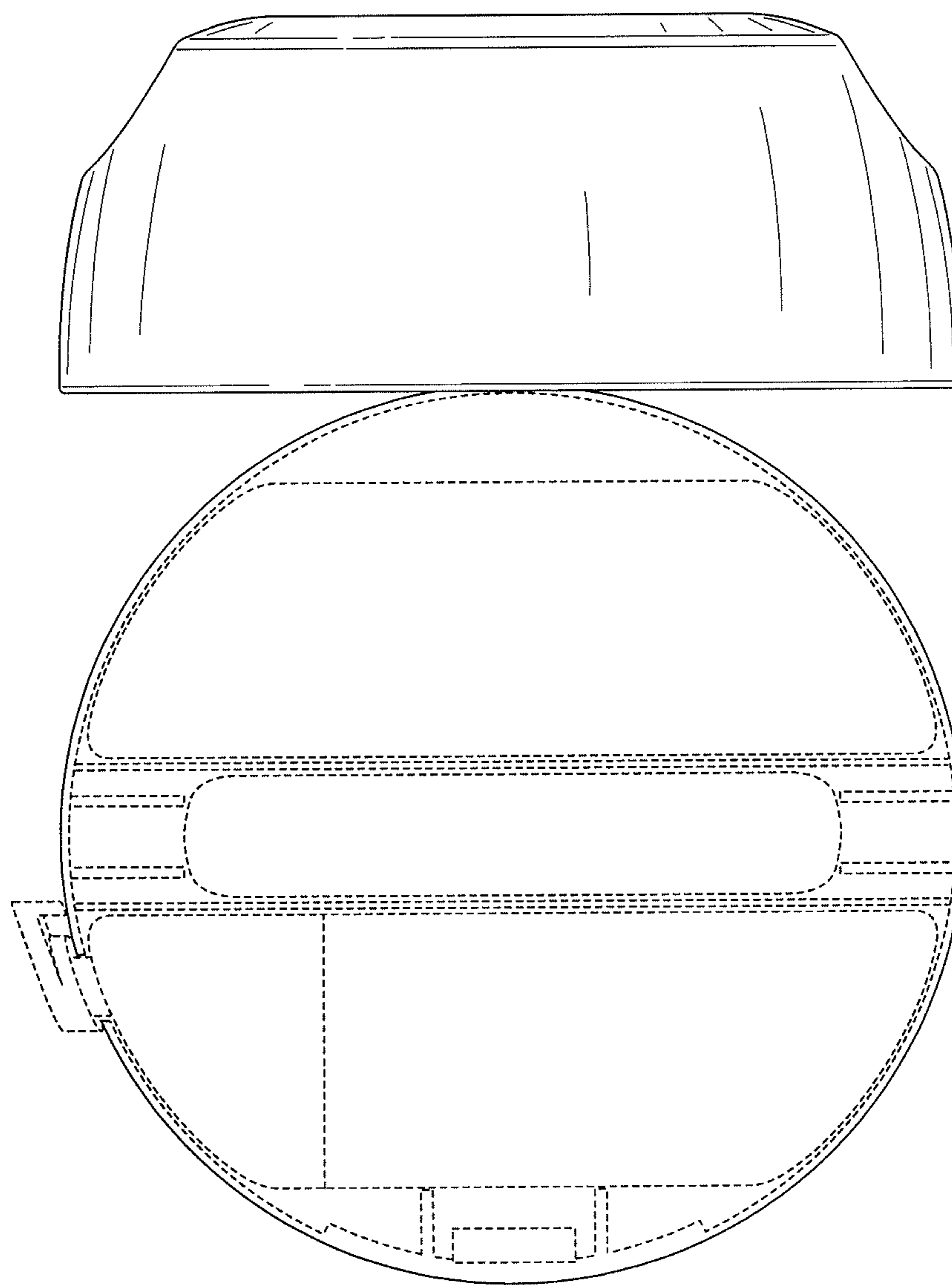


FIG. 13

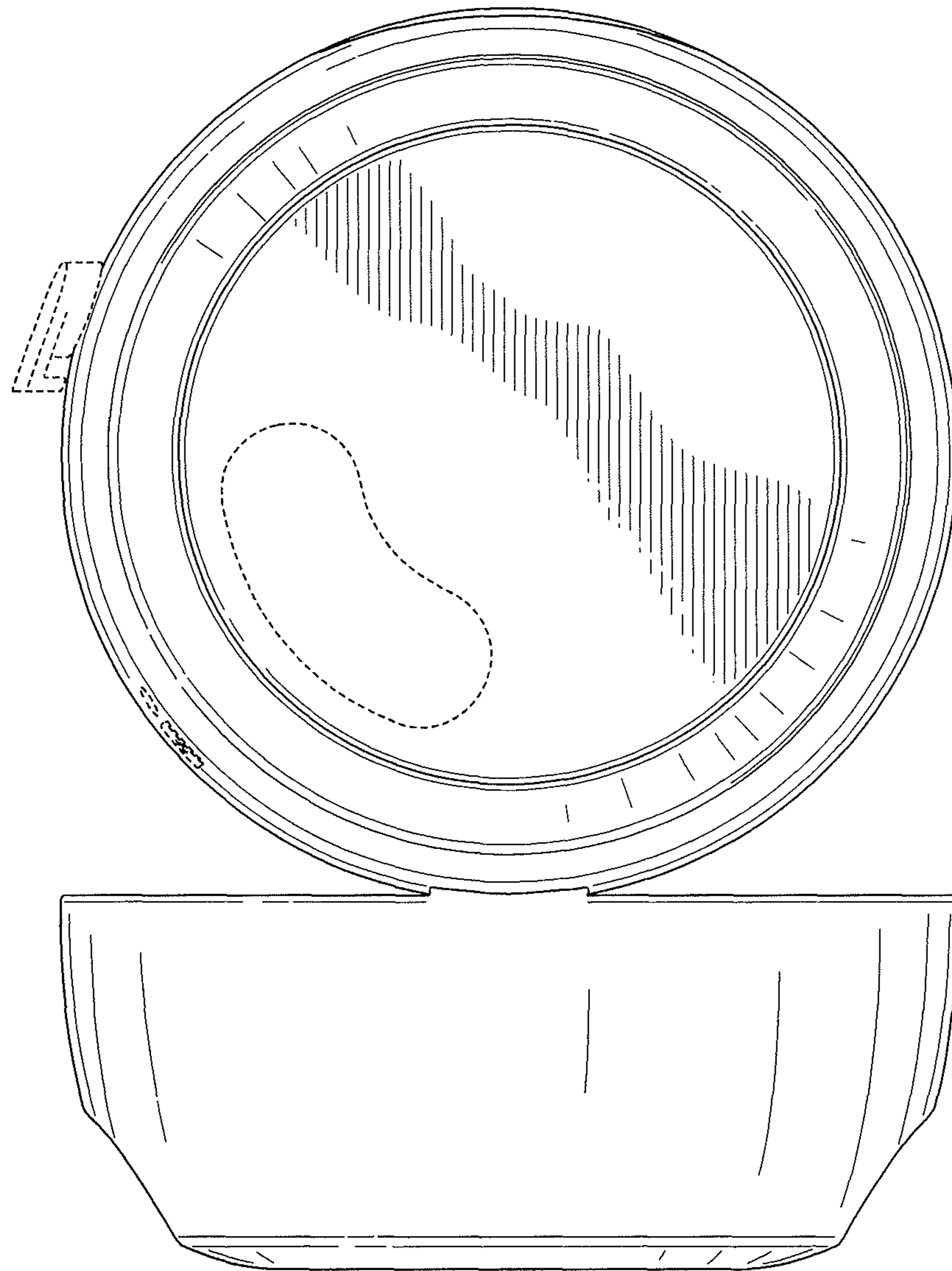


FIG. 14

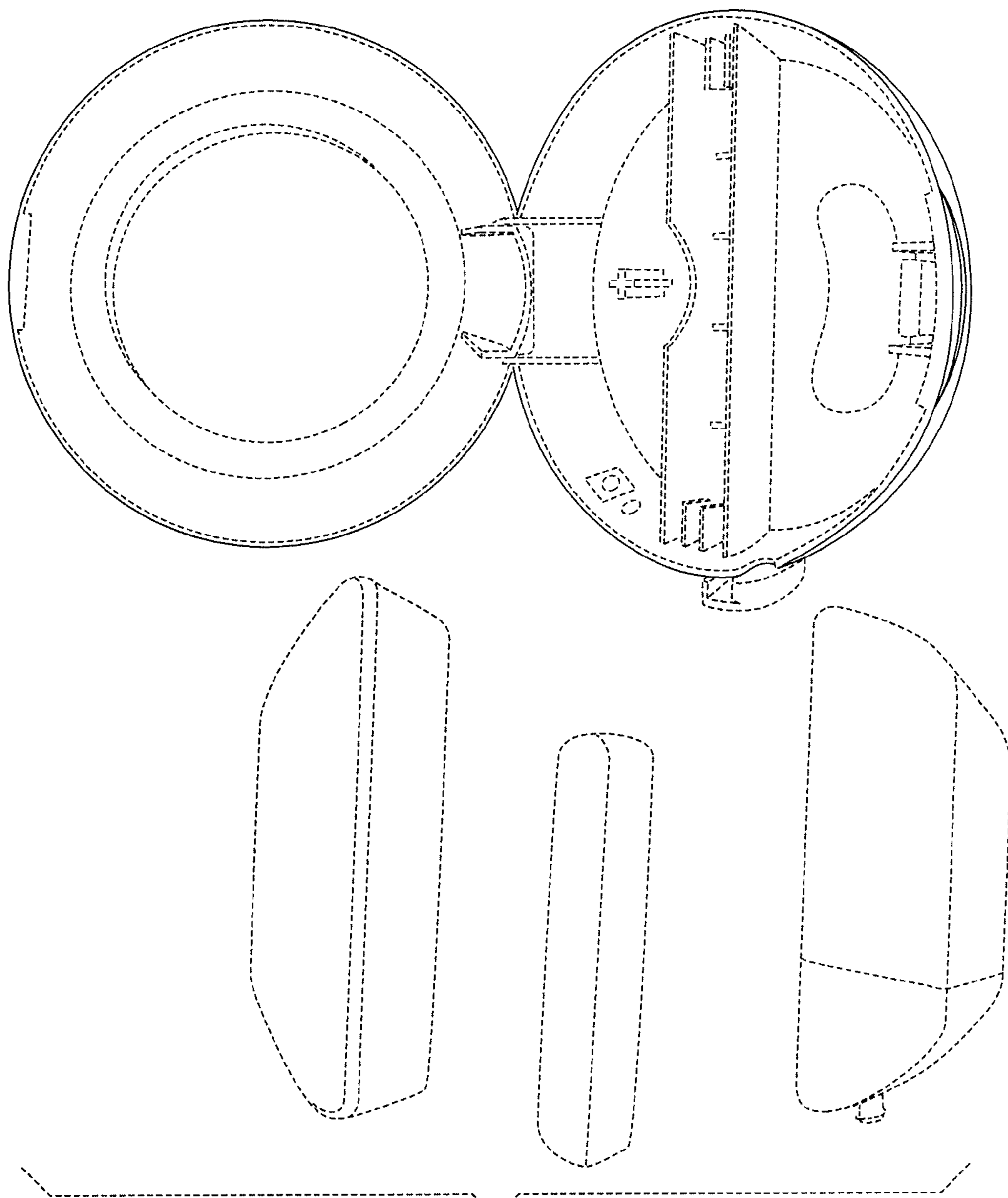


FIG. 15