



US00D718028S

(12) **United States Design Patent**
Appel et al.

(10) **Patent No.:** **US D718,028 S**

(45) **Date of Patent:** **** Nov. 25, 2014**

(54) **SHOE INSERT**

(71) Applicant: **Stable Step LLC**, Wadsworth, OH (US)

(72) Inventors: **Lesley S. Appel**, Naples, FL (US);
Corey W. Remington, Wadsworth, OH (US)

(73) Assignee: **Stable Step LLC**, Wadsworth, OH (US)

(**) Term: **14 Years**

(21) Appl. No.: **29/486,750**

(22) Filed: **Apr. 2, 2014**

(51) **LOC (10) Cl.** **02-04**

(52) **U.S. Cl.**
USPC **D2/961**

(58) **Field of Classification Search**
USPC D2/896, 925, 946, 947, 949-951, 961,
D2/968; 36/31, 43, 44, 71, 145, 147, 148,
36/149, 150, 151, 152, 153, 154, 155, 166,
36/169, 173, 174, 180

See application file for complete search history.

(56) **References Cited**

U.S. PATENT DOCUMENTS

D284,901 S * 8/1986 Tilles D2/961
D498,577 S * 11/2004 Crewdson et al. D2/961

D517,291 S * 3/2006 Vasyli D2/961
D582,641 S * 12/2008 Kielt et al. D2/961
D614,842 S * 5/2010 Vasyli D2/961
D661,076 S * 6/2012 Appel et al. D2/961

* cited by examiner

Primary Examiner — Stella Reid

Assistant Examiner — Janice Lim

(74) *Attorney, Agent, or Firm* — Renner, Kenner, Greive,
Bobak, Taylor & Weber

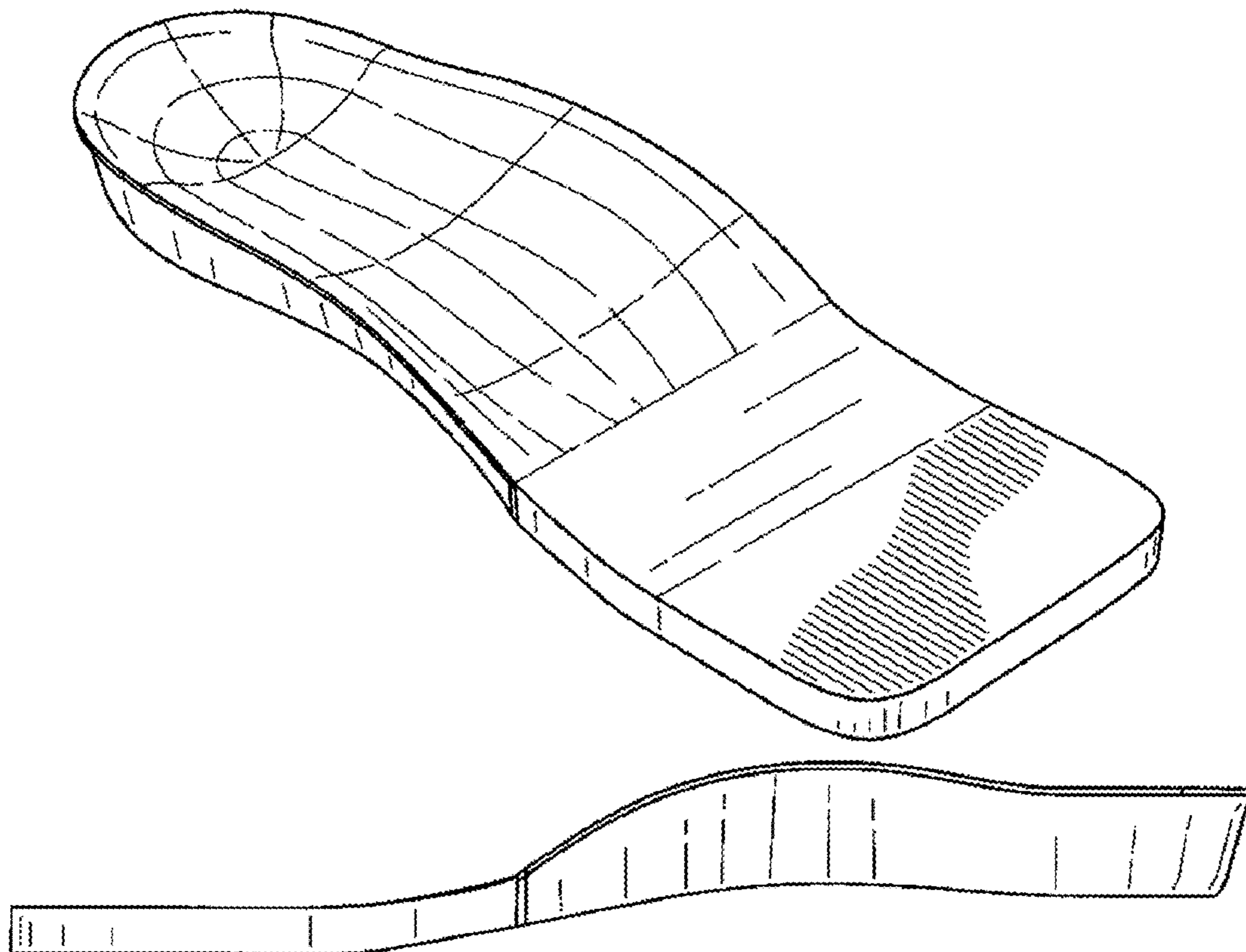
(57) **CLAIM**

The ornamental design for a shoe insert, as shown and described.

DESCRIPTION

FIG. 1 is a top, right side, front perspective view of a shoe insert showing our new design;
FIG. 2 is a bottom, right side, rear perspective view thereof;
FIG. 3 is a bottom plan view thereof;
FIG. 4 is a top plan view thereof;
FIG. 5 is a left side elevational view thereof;
FIG. 6 is a right elevational view thereof;
FIG. 7 is a front elevational view thereof;
FIG. 8 is a rear elevational view thereof;
FIG. 9 is a sectional view taken along line 9-9 of FIG. 3; and,
FIG. 10 is a sectional view taken along line 10-10 of FIG. 3.

1 Claim, 4 Drawing Sheets



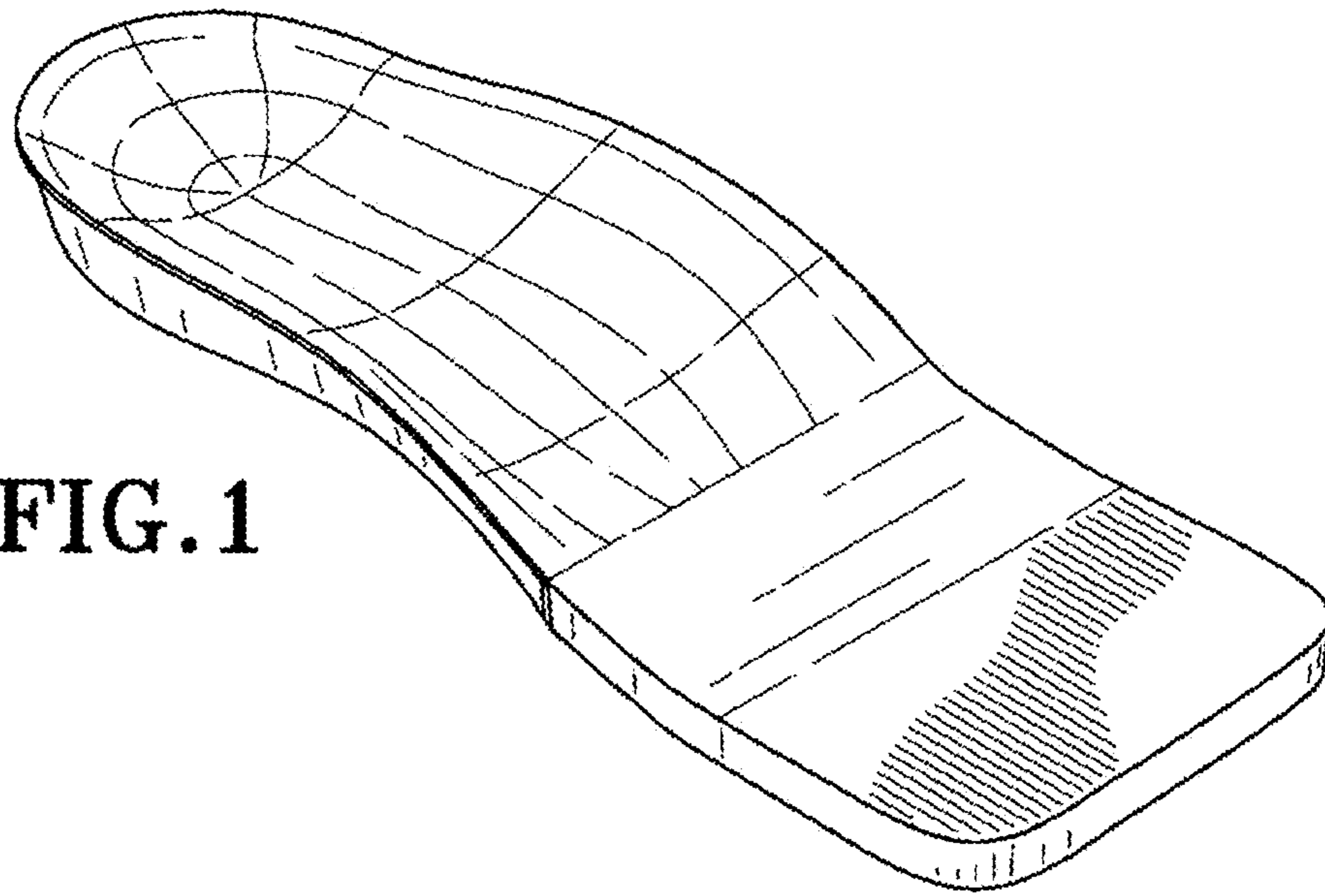


FIG. 1

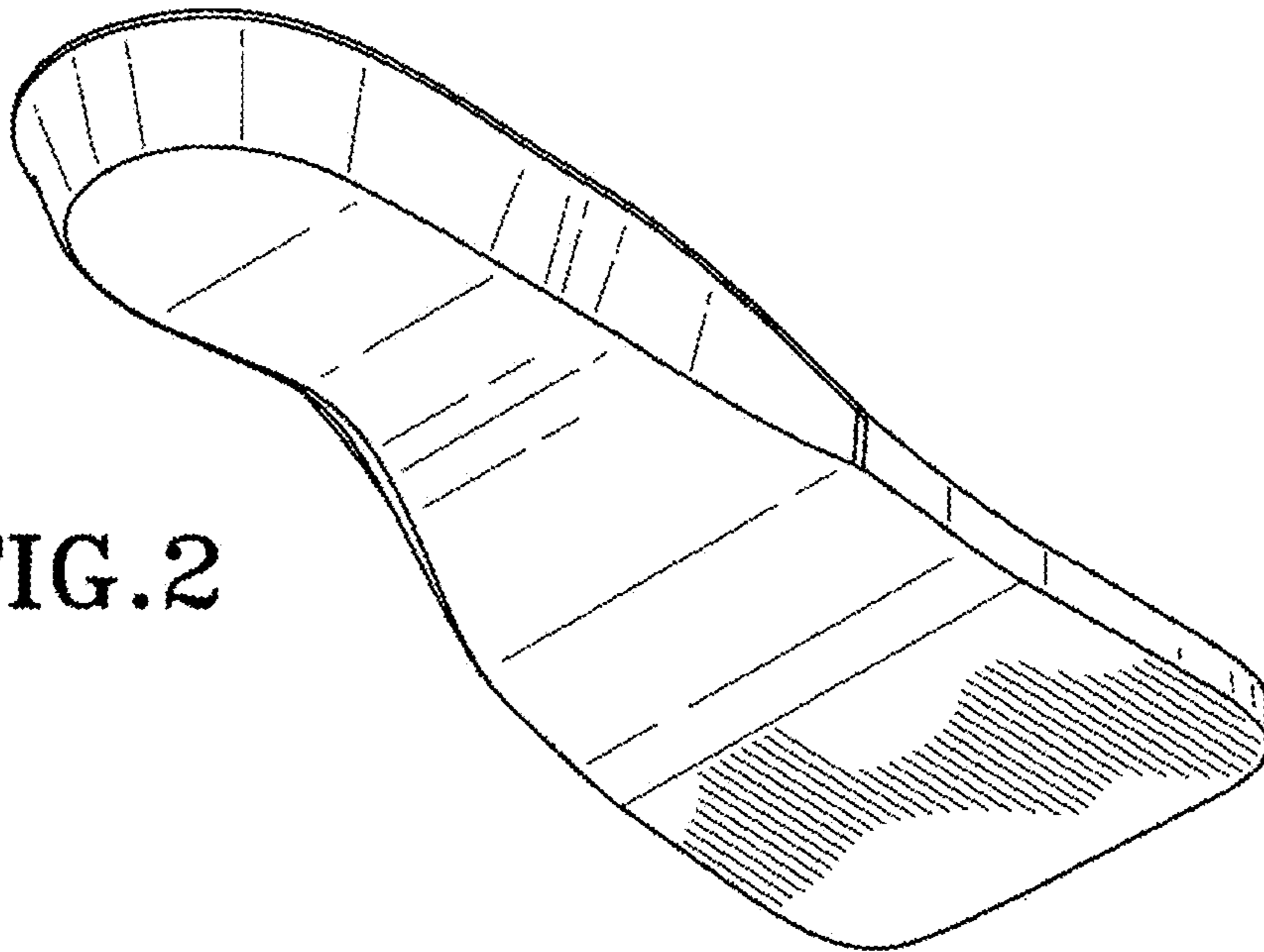


FIG. 2

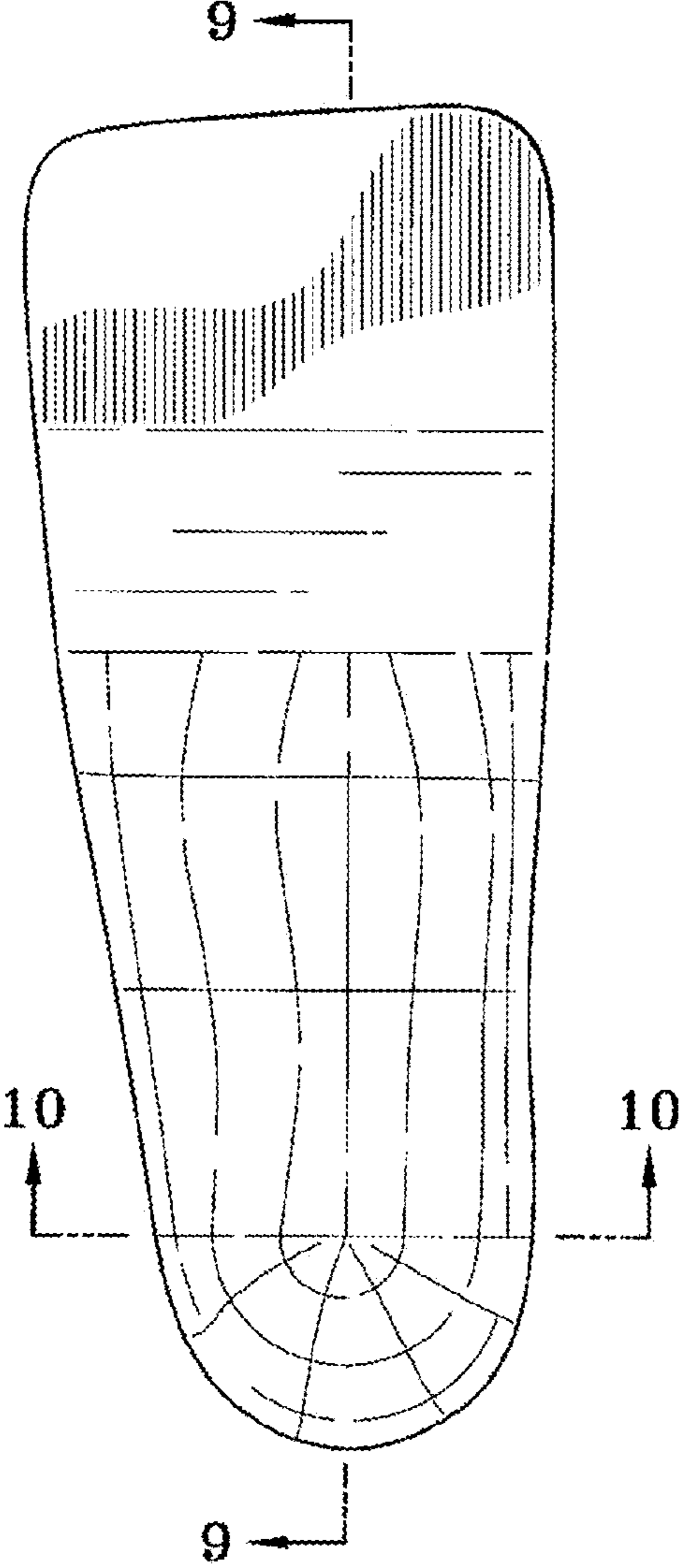


FIG. 3

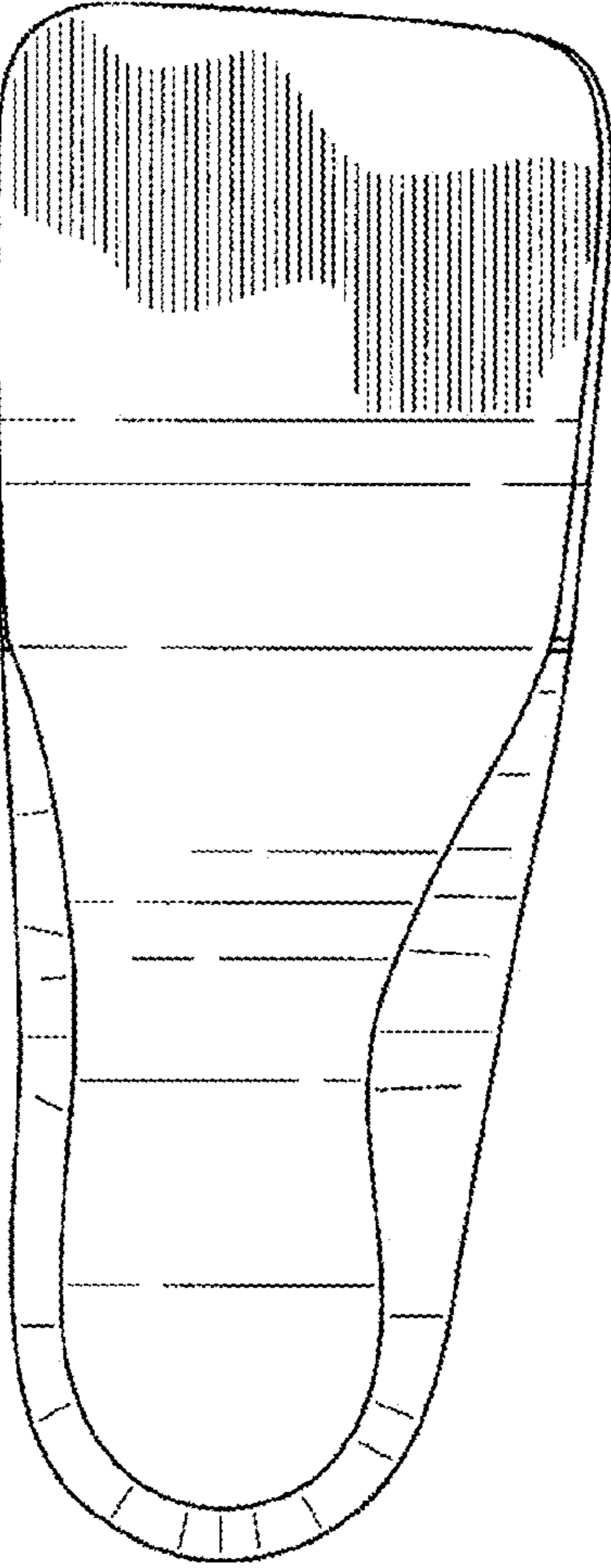


FIG. 4

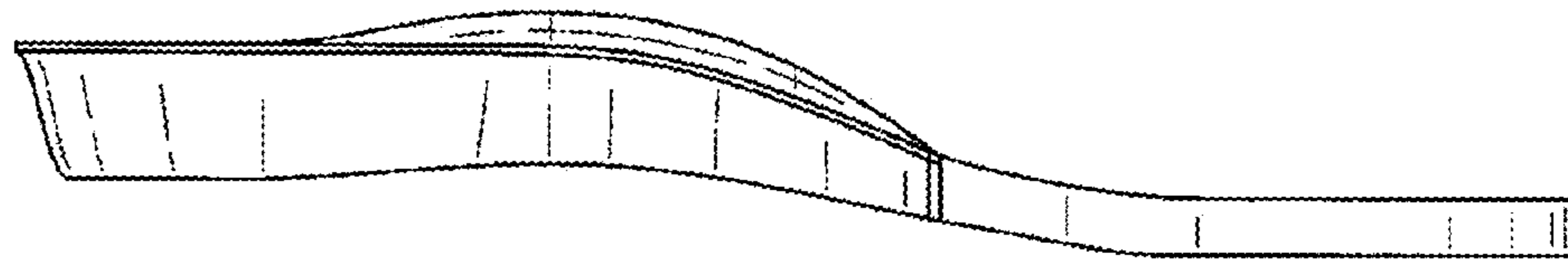


FIG. 5

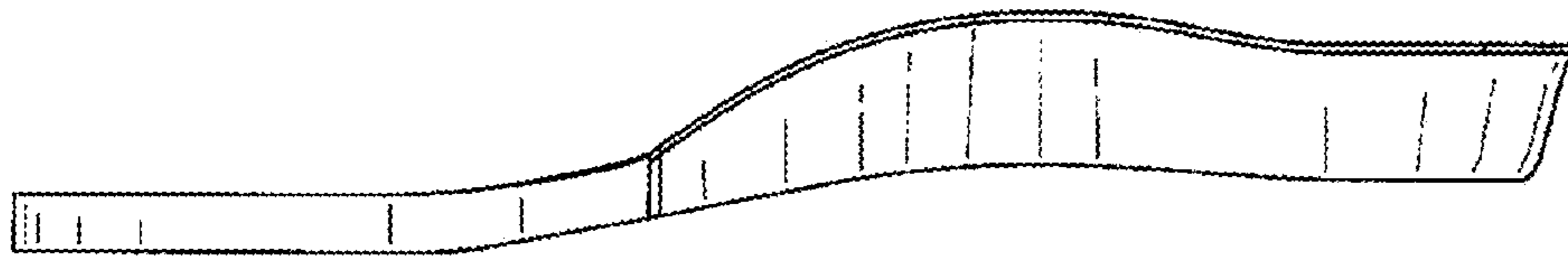


FIG. 6

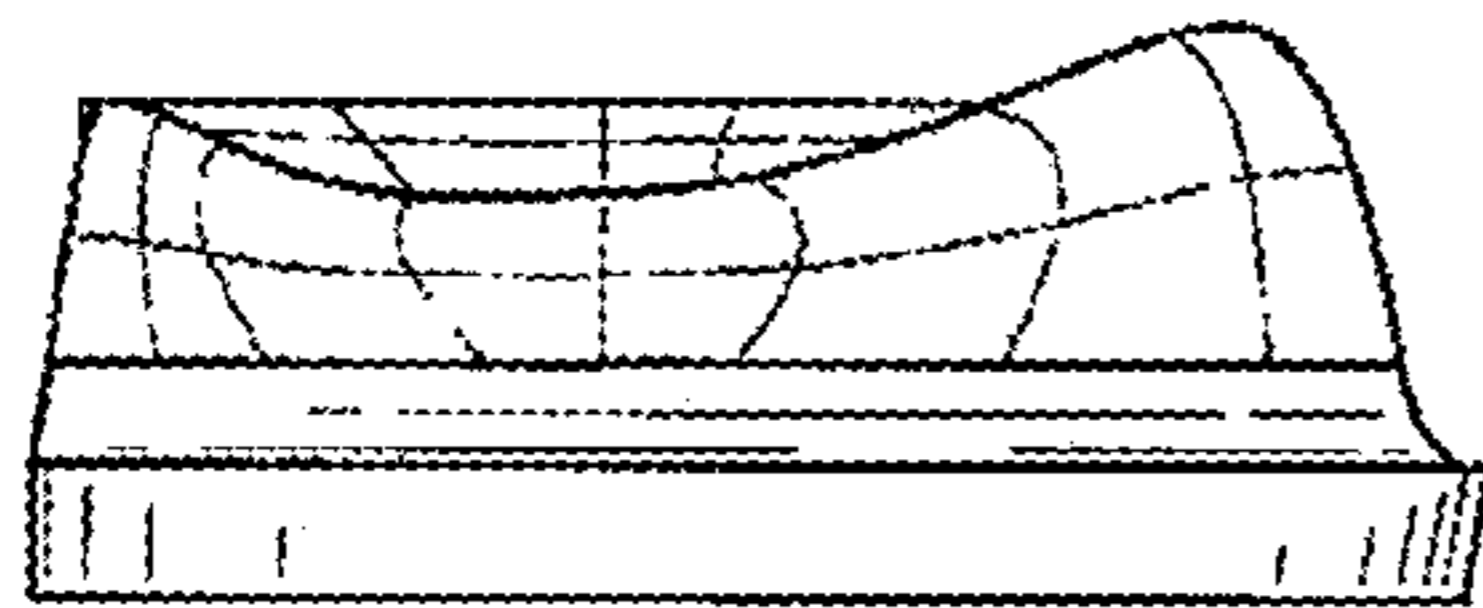


FIG. 7

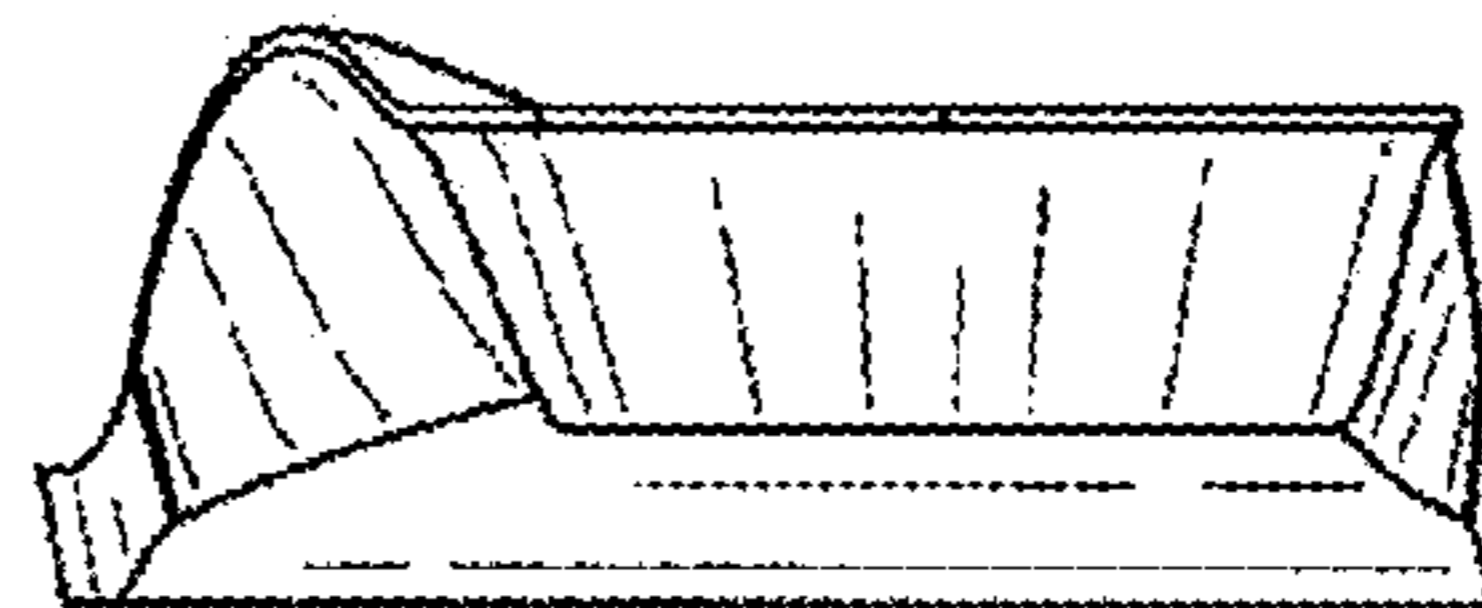


FIG. 8

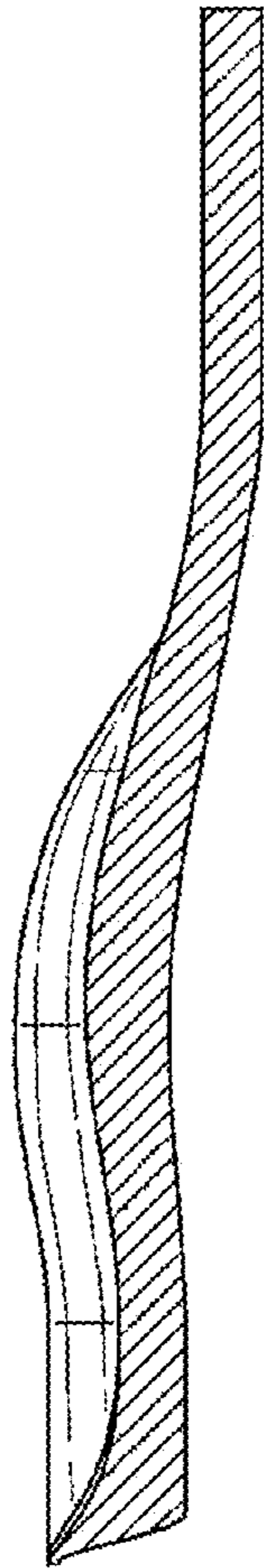


FIG. 9

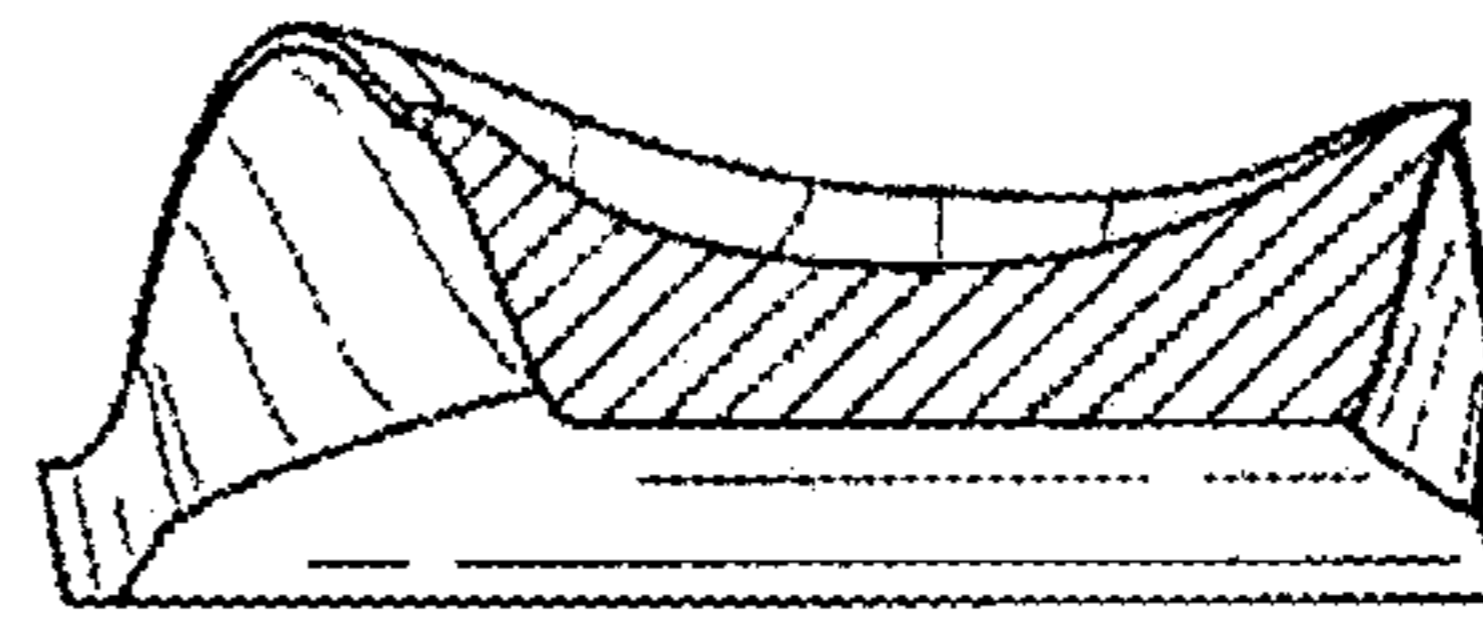


FIG. 10