



US00D718024S

(12) **United States Design Patent**  
**Wells**

(10) **Patent No.:** **US D718,024 S**

(45) **Date of Patent:** **\*\* Nov. 25, 2014**

- (54) **SHOE**
- (71) Applicant: **Stable Step LLC**, Wadsworth, OH (US)
- (72) Inventor: **Jeffrey S. Wells**, Syracuse, IN (US)
- (73) Assignee: **Stable Step LLC**, Wadsworth, OH (US)
- (\*\*) Term: **14 Years**

- (21) Appl. No.: **29/491,100**
- (22) Filed: **May 16, 2014**
- (51) **LOC (10) Cl.** ..... **02-04**
- (52) **U.S. Cl.**  
USPC ..... **D2/943**; D24/192
- (58) **Field of Classification Search**  
CPC ..... A61F 5/01; A61F 5/11; A61F 13/066;  
A43B 7/14; A43B 7/00  
USPC ..... D02/896, 900, 909, 918, 919, 943, 969;  
D24/192; 36/7.1 R, 110, 83, 97, 50.1,  
36/88, 102; 602/23  
See application file for complete search history.

(56) **References Cited**

**U.S. PATENT DOCUMENTS**

4,677,767	A *	7/1987	Darby	36/102
5,088,481	A *	2/1992	Darby	602/23
5,138,777	A	8/1992	Darby	
D329,527	S *	9/1992	Cohen	D24/192
D356,378	S *	3/1995	Kuhn	D24/192

5,491,909	A	2/1996	Darby	
D376,429	S *	12/1996	Antar	D24/192
5,778,565	A *	7/1998	Holt et al.	36/110
5,940,992	A *	8/1999	Darby	36/110
D438,972	S *	3/2001	Darby	D2/943
D440,661	S *	4/2001	Cionitti	D24/192
D534,712	S	1/2007	Darby, II	
7,231,728	B2	6/2007	Darby	
8,201,346	B2	6/2012	Darby, II et al.	

\* cited by examiner

*Primary Examiner* — Ian Simmons

*Assistant Examiner* — Rashida C McCoy

(74) *Attorney, Agent, or Firm* — Renner, Kenner, Greive, Bobak, Taylor & Weber

(57) **CLAIM**

The ornamental design for a shoe, as shown and described.

**DESCRIPTION**

FIG. 1 is a top, left side, front perspective view of a shoe showing our new design;

FIG. 2 is a left side elevational view thereof;

FIG. 3 is a right side elevational view thereof;

FIG. 4 is a top plan view thereof;

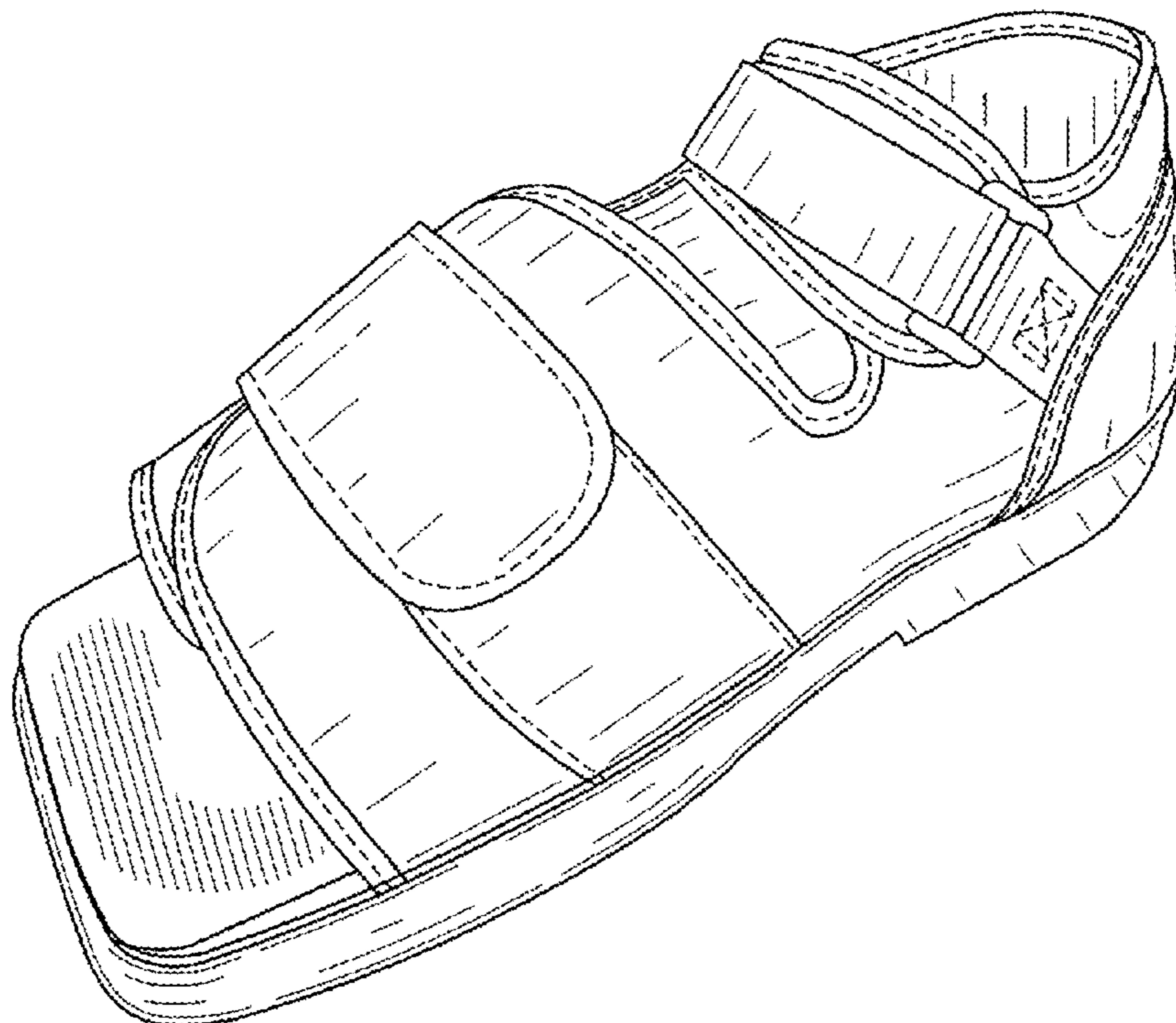
FIG. 5 is a bottom plan view thereof;

FIG. 6 is a front elevational view thereof; and,

FIG. 7 is a rear elevational view thereof.

The broken lines shown on the surface of the shoe represent claimed stitching.

**1 Claim, 6 Drawing Sheets**



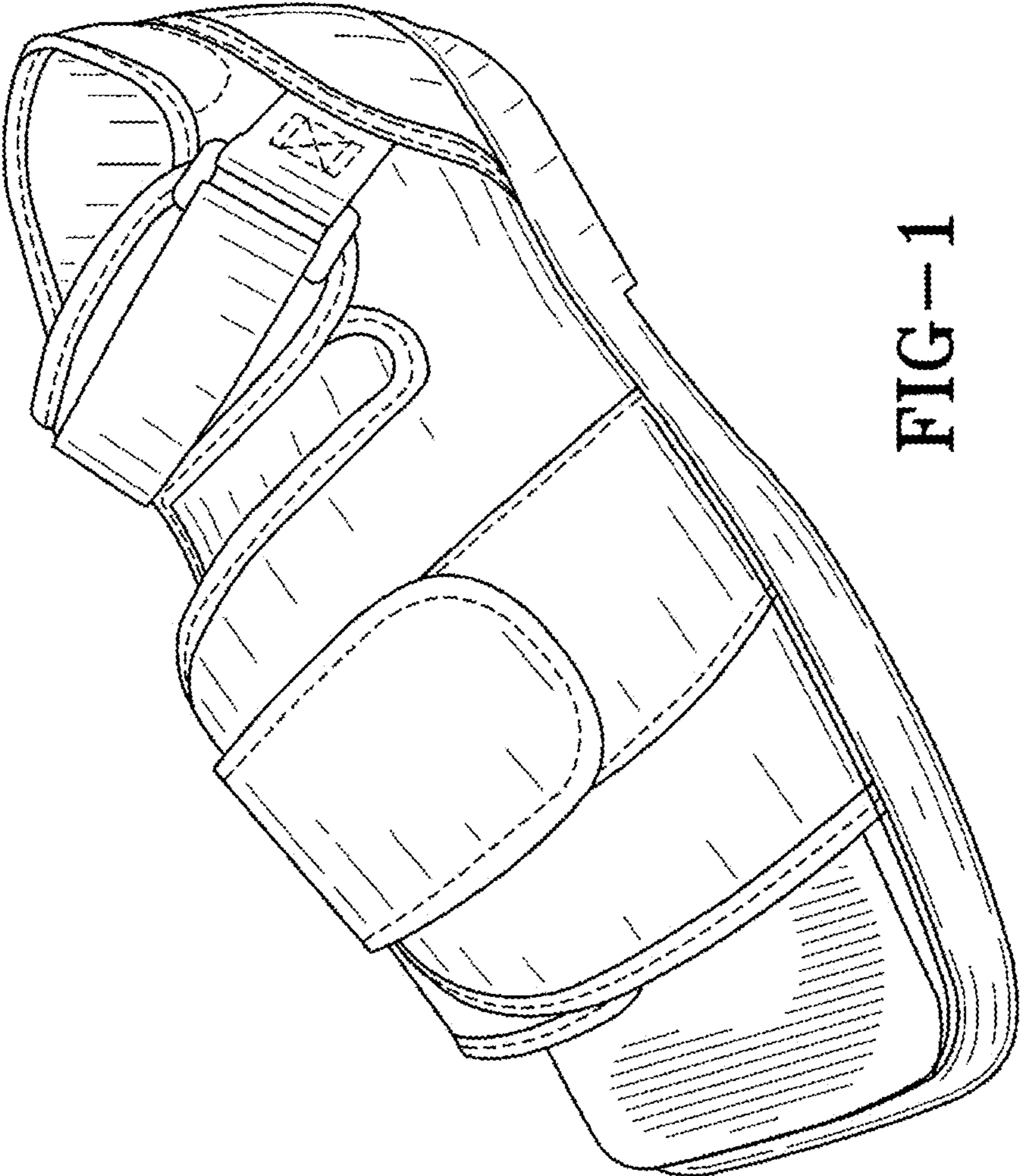


FIG-1

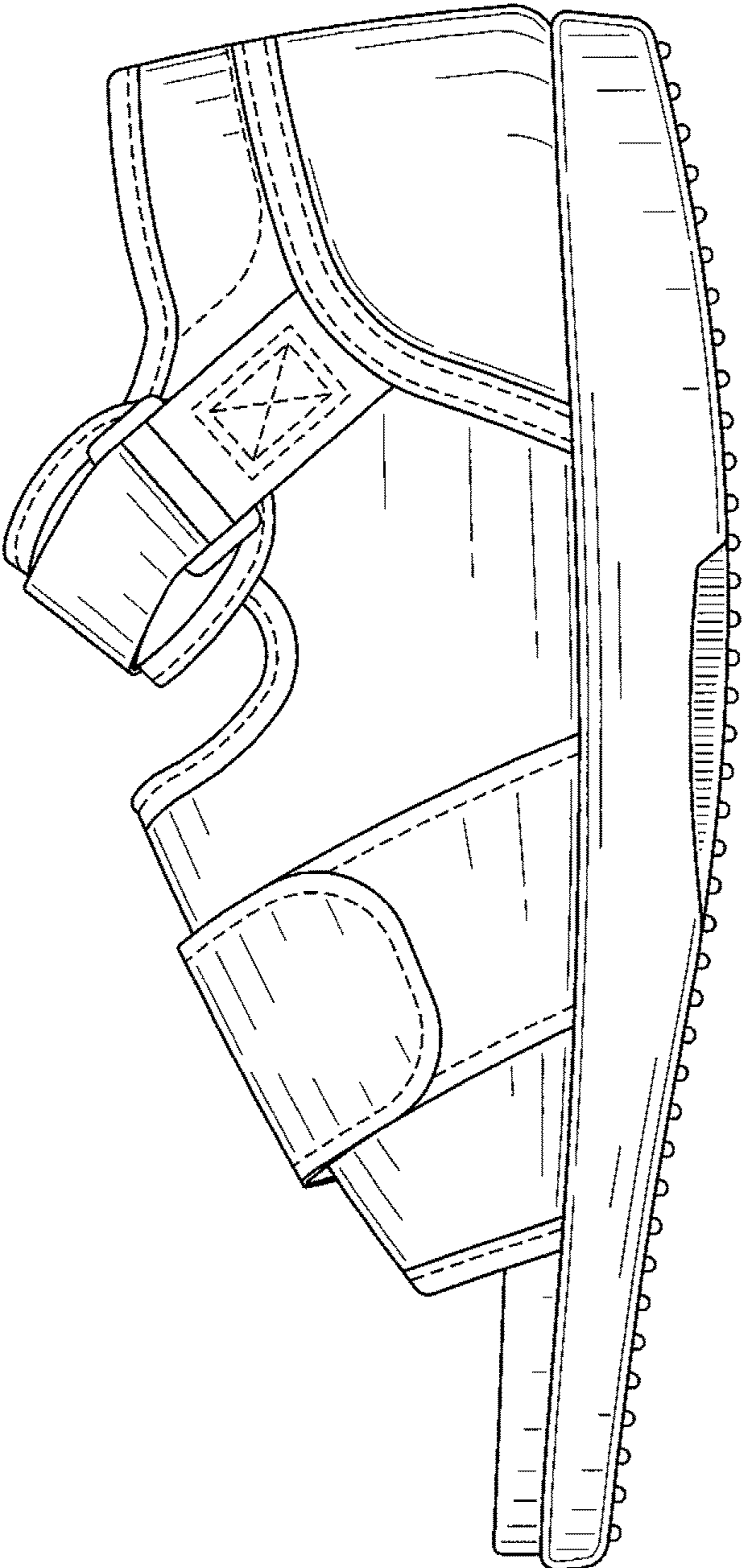


FIG-2

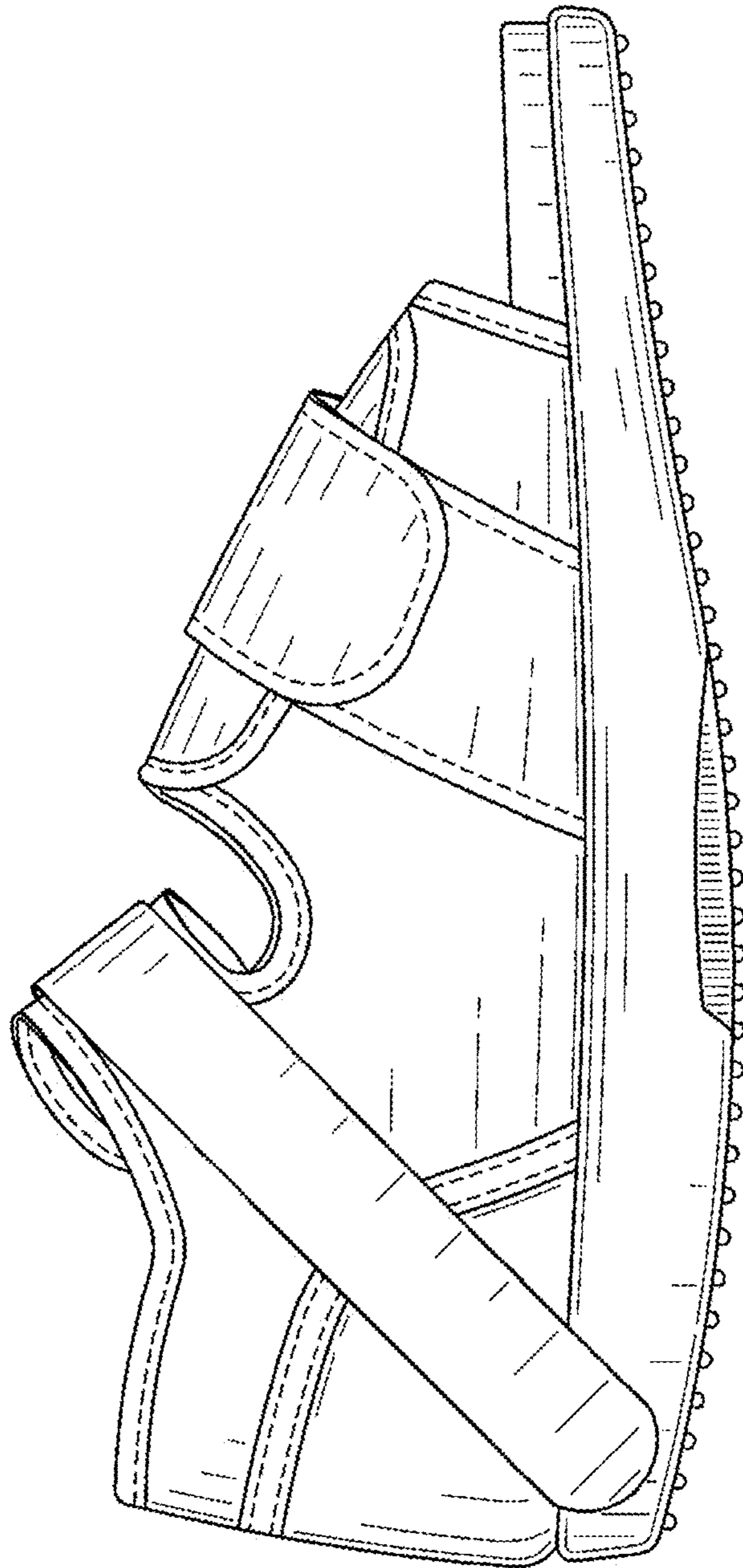


FIG-3

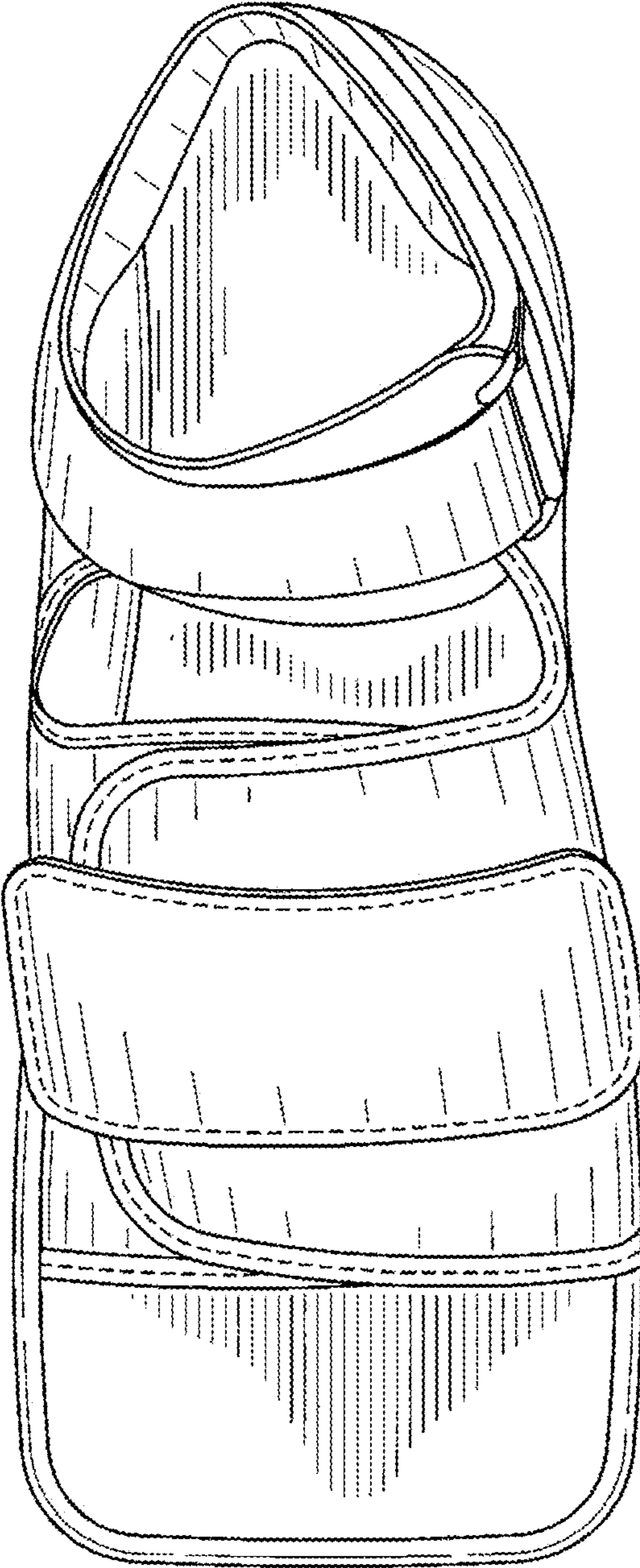


FIG--4

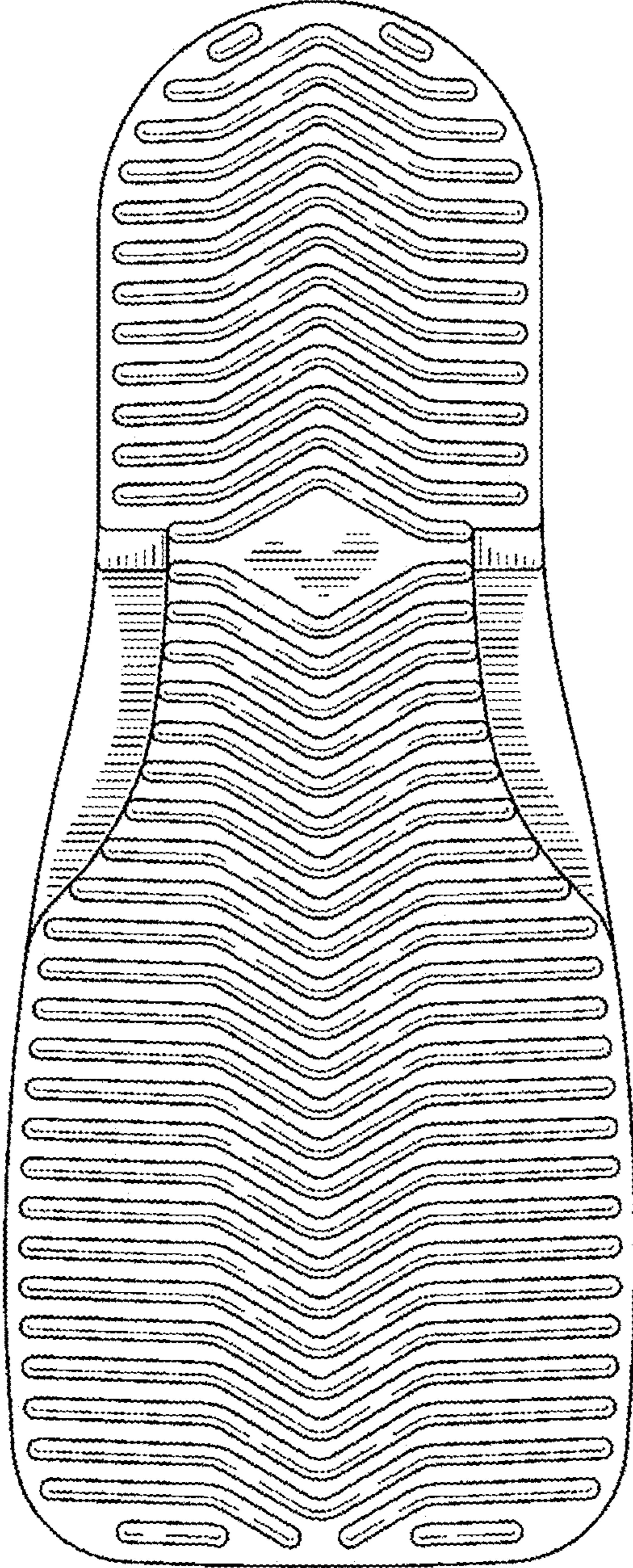


FIG-5

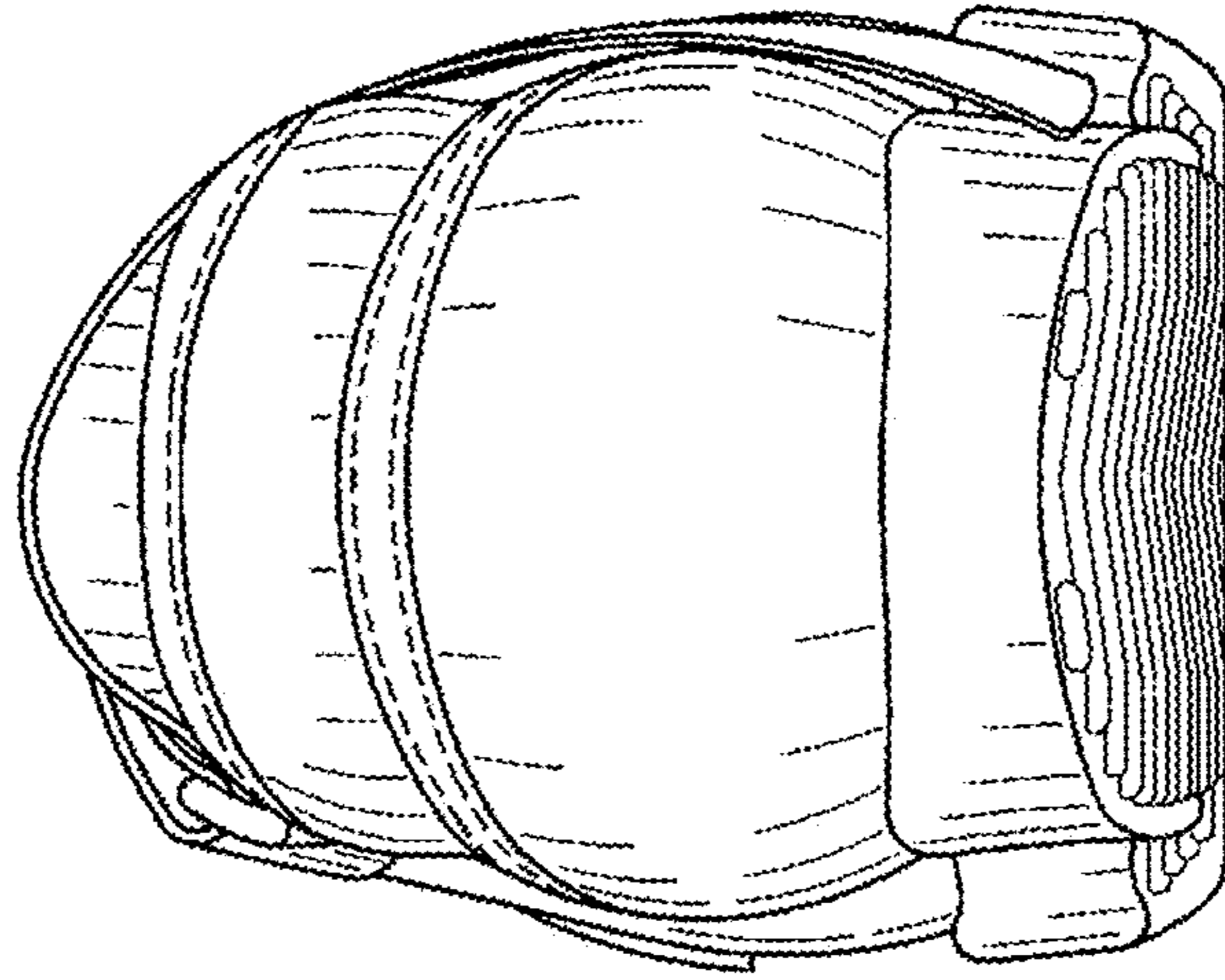


FIG-7

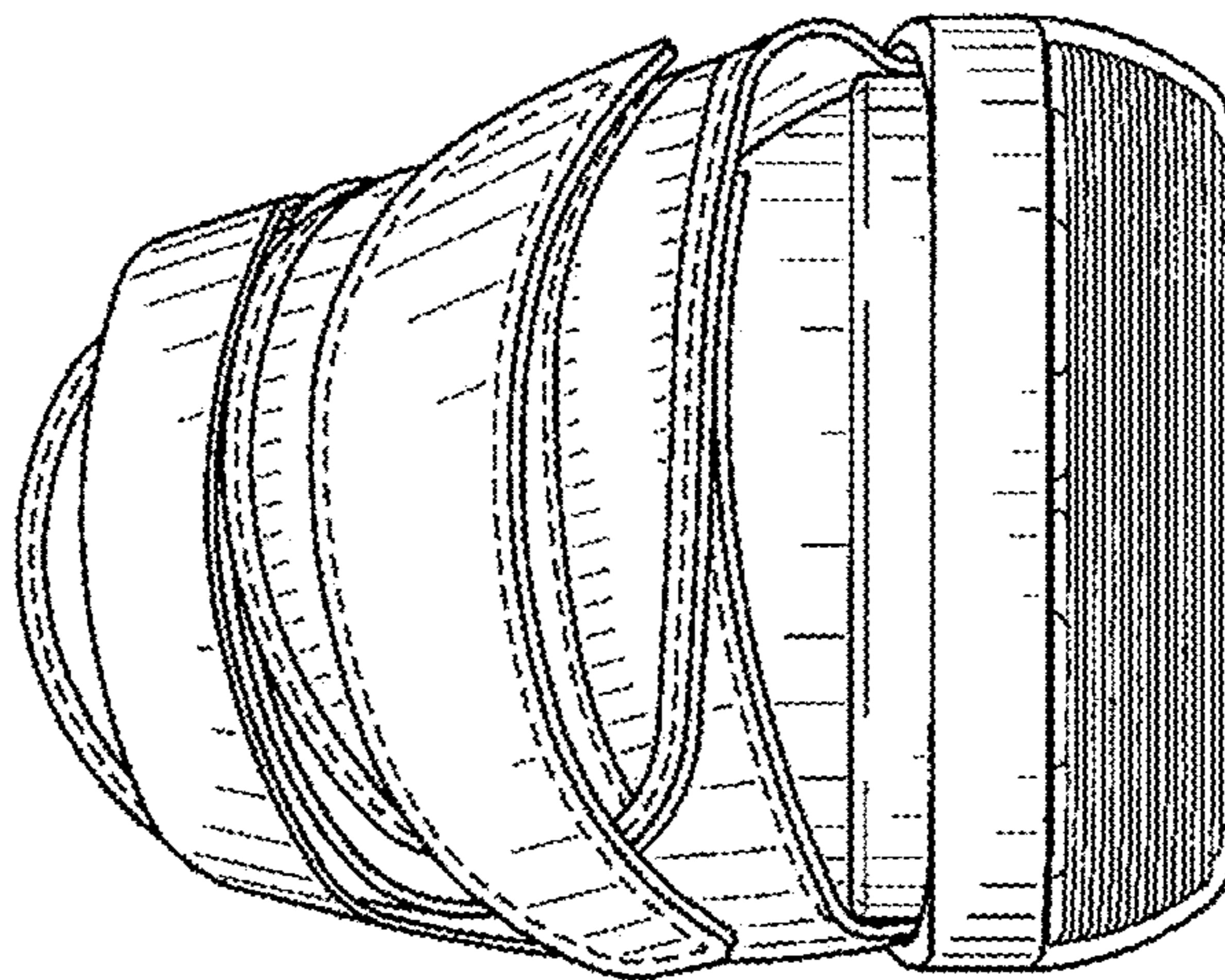


FIG-6