



US00D718021S

(12) **United States Design Patent**
Werczberger

(10) **Patent No.:** **US D718,021 S**

(45) **Date of Patent:** **** Nov. 25, 2014**

(54) **CAP WITH EYEGLASS POCKETS AND SLOTS**

(71) Applicant: **Aron Werczberger**, Brooklyn, NY (US)

(72) Inventor: **Aron Werczberger**, Brooklyn, NY (US)

(**) Term: **14 Years**

(21) Appl. No.: **29/454,773**

(22) Filed: **May 14, 2013**

(51) **LOC (10) Cl.** **02-03**

(52) **U.S. Cl.**
USPC **D2/882**

(58) **Field of Classification Search**
CPC A42B 1/006; A42B 1/02
USPC D2/865, 866, 878, 879, 880, 881, 882,
D2/883, 884, 886, 888, 891, 893, 894,
D2/895; 2/171, 183, 175.1, 175.3, 175.7,
2/195.1, 195.2, 195.3, 195.4, 195.7,
2/200.1, 209.11, 209.12, 209.13, 209.3,
2/209.4, 209.7

See application file for complete search history.

(56) **References Cited**

U.S. PATENT DOCUMENTS

D160,404	S	*	10/1950	Levine	D2/866
2,744,256	A		5/1956	Slotkin et al.		
4,179,753	A		12/1979	Aronberg et al.		
D338,544	S	*	8/1993	Scheinbaum	D2/882
5,452,479	A	*	9/1995	Mostert	2/195.1
5,509,145	A	*	4/1996	Stevenson et al.	2/195.1
5,581,813	A		12/1996	Henschel et al.		
D384,789	S	*	10/1997	Crabb et al.	D2/866
5,894,604	A	*	4/1999	Crabb et al.	2/209.13
6,237,159	B1		5/2001	Martin		
6,298,495	B1	*	10/2001	Totani	2/209.13
6,647,554	B1		11/2003	Yan		
6,671,885	B2		1/2004	Viggiano		
7,003,809	B1		2/2006	Gordon		

D600,430	S	*	9/2009	deTaboada	D2/866
7,703,153	B2	*	4/2010	de Taboada	2/422
D617,325	S	*	6/2010	Valentine	D14/403
D630,822	S	*	1/2011	Thomas	D2/882
D630,824	S	*	1/2011	Thomas	D2/893
7,904,970	B2		3/2011	Thomas		
7,979,920	B2	*	7/2011	Gilman	2/195.1
D675,404	S	*	2/2013	Parker	D2/882
D686,396	S	*	7/2013	Rebitzer et al.	D2/889
D699,928	S	*	2/2014	Tien	D2/882
D704,925	S	*	5/2014	Cho	D2/882
D708,427	S	*	7/2014	Cho	D2/882
2006/0152671	A1	*	7/2006	Risso et al.	351/155
2007/0229759	A1	*	10/2007	Jones	351/200

* cited by examiner

Primary Examiner — Karen E Eldridge Powers

(74) *Attorney, Agent, or Firm* — Robert C. Montgomery;
Montgomery Patent & Design

(57) **CLAIM**

The ornamental design for a cap with eyeglass pockets and slots, as shown and described.

DESCRIPTION

FIG. 1 is an isometric view of a cap with eyeglass pockets and slots;

FIG. 2 is a front elevation view thereof;

FIG. 3 is a rear view thereof;

FIG. 4 is a left-hand side elevation view thereof, wherein a right-hand side elevation view is a mirror image of the left-hand side view;

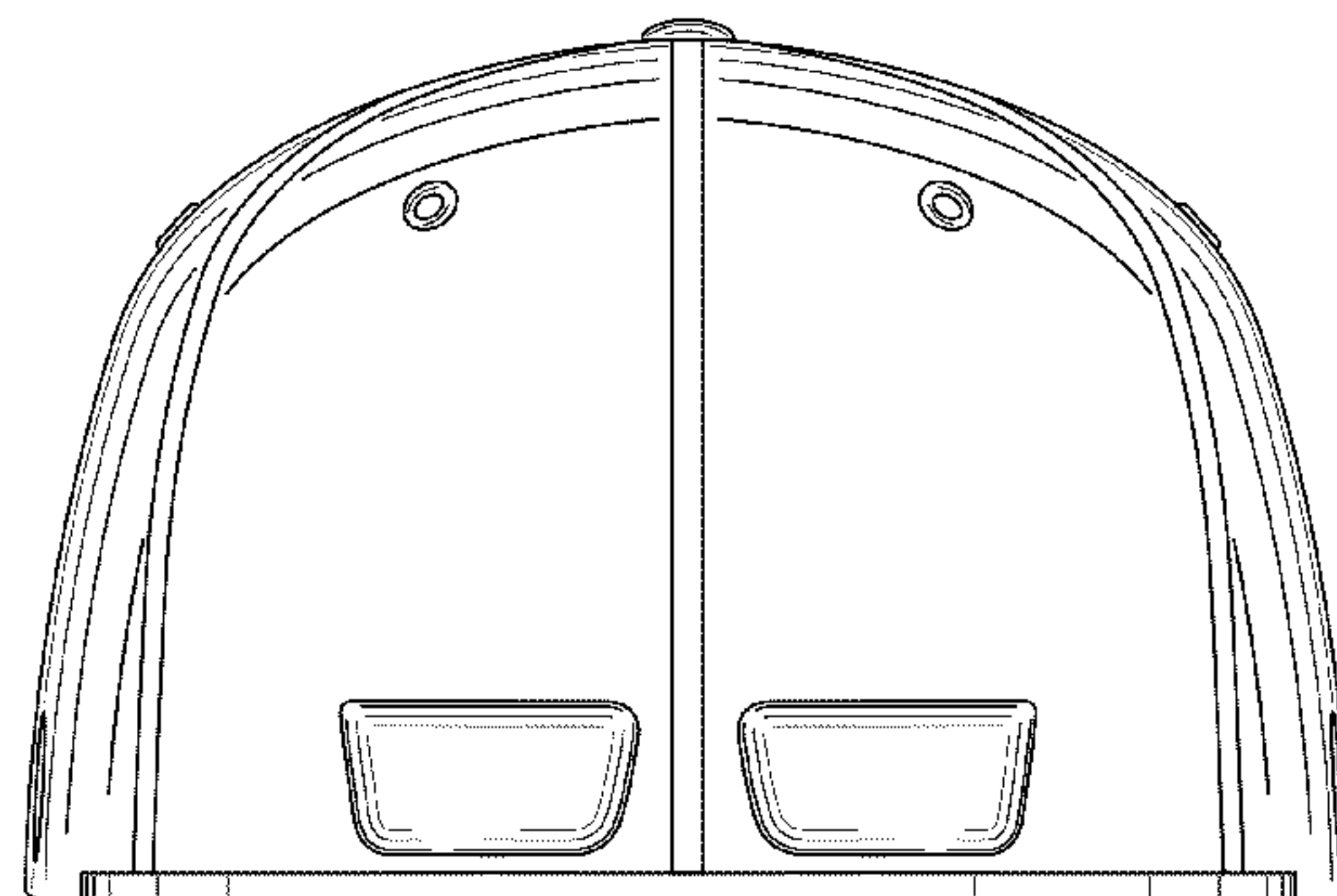
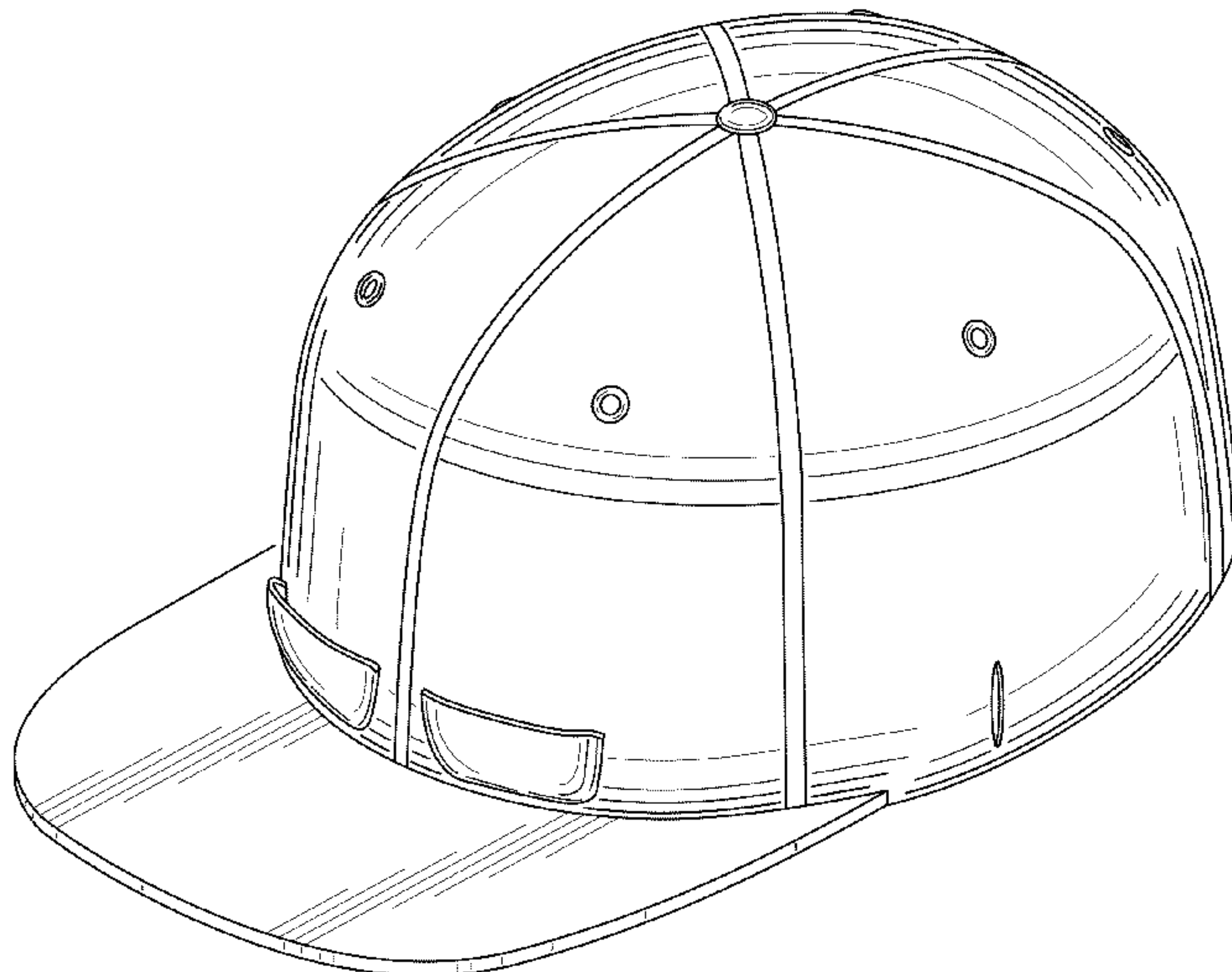
FIG. 5 is a top plan view thereof;

FIG. 6 is a bottom plan view thereof; and,

FIG. 7 is an isometric bottom view of a cap with eyeglass pockets and slots with an inner folding flap extended for clarity of illustration.

The strap shown in broken lines in the drawings illustrates a feature of the article in which the design is embodied that forms no part of the claim.

1 Claim, 7 Drawing Sheets



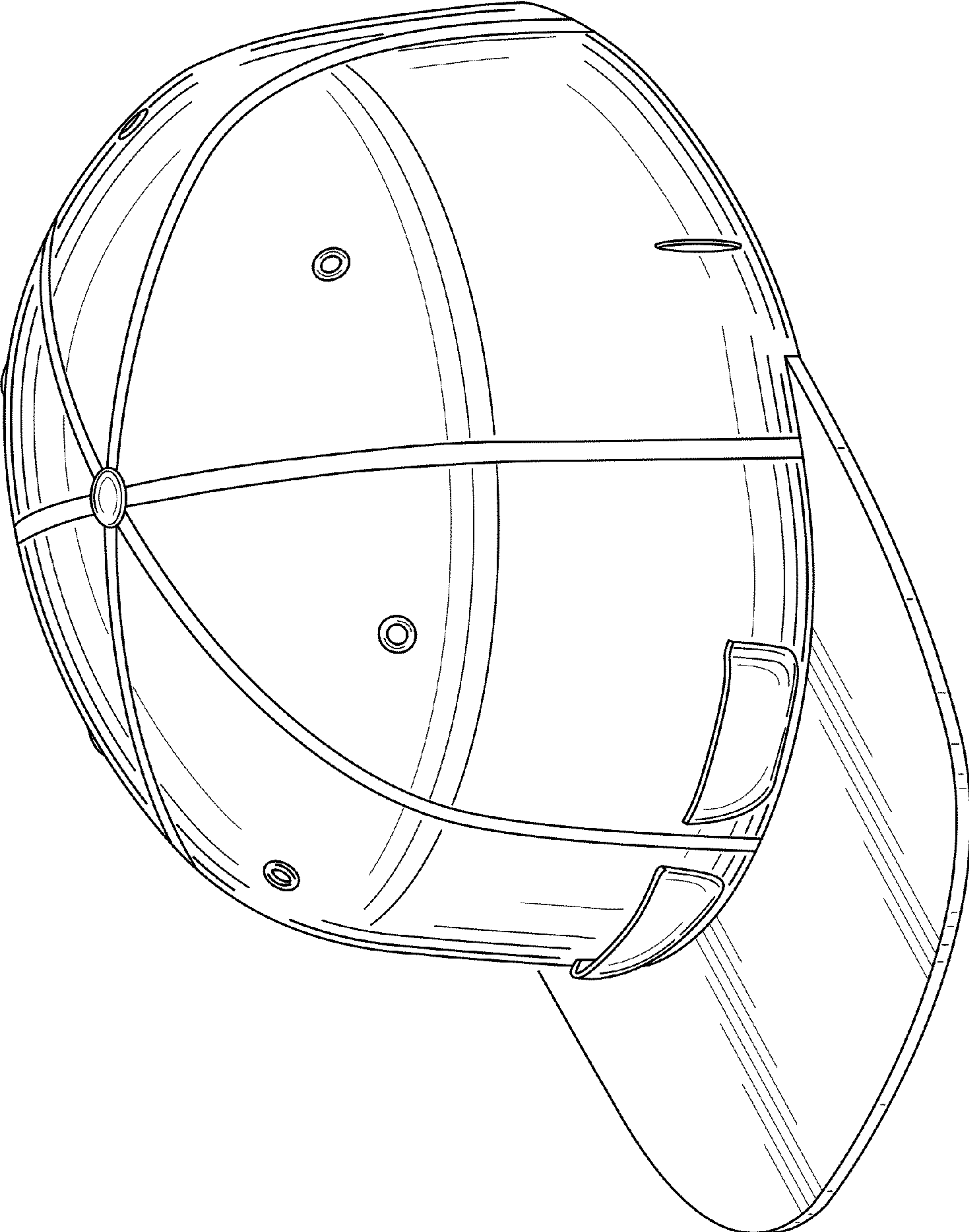


Fig. 1

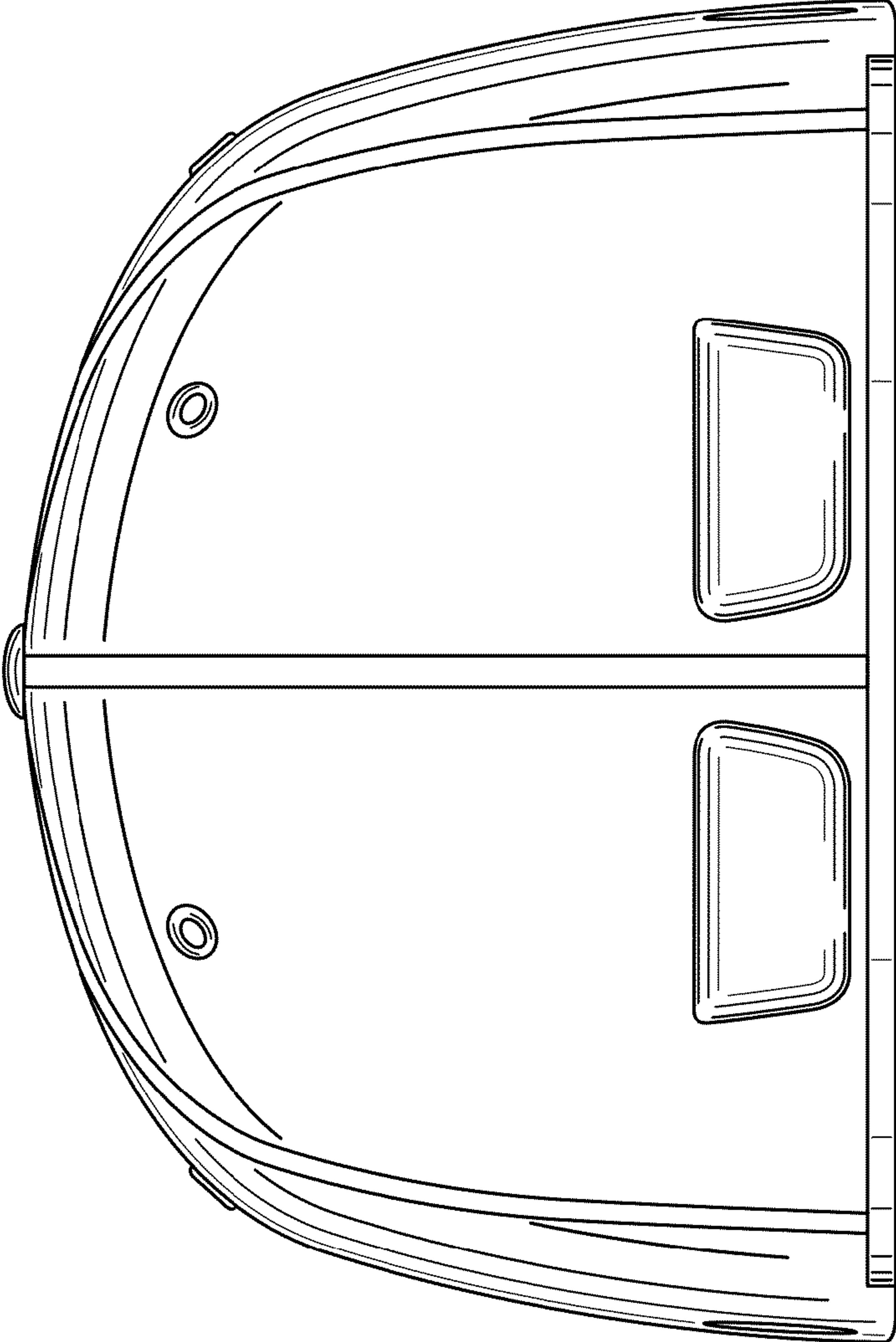


Fig. 2

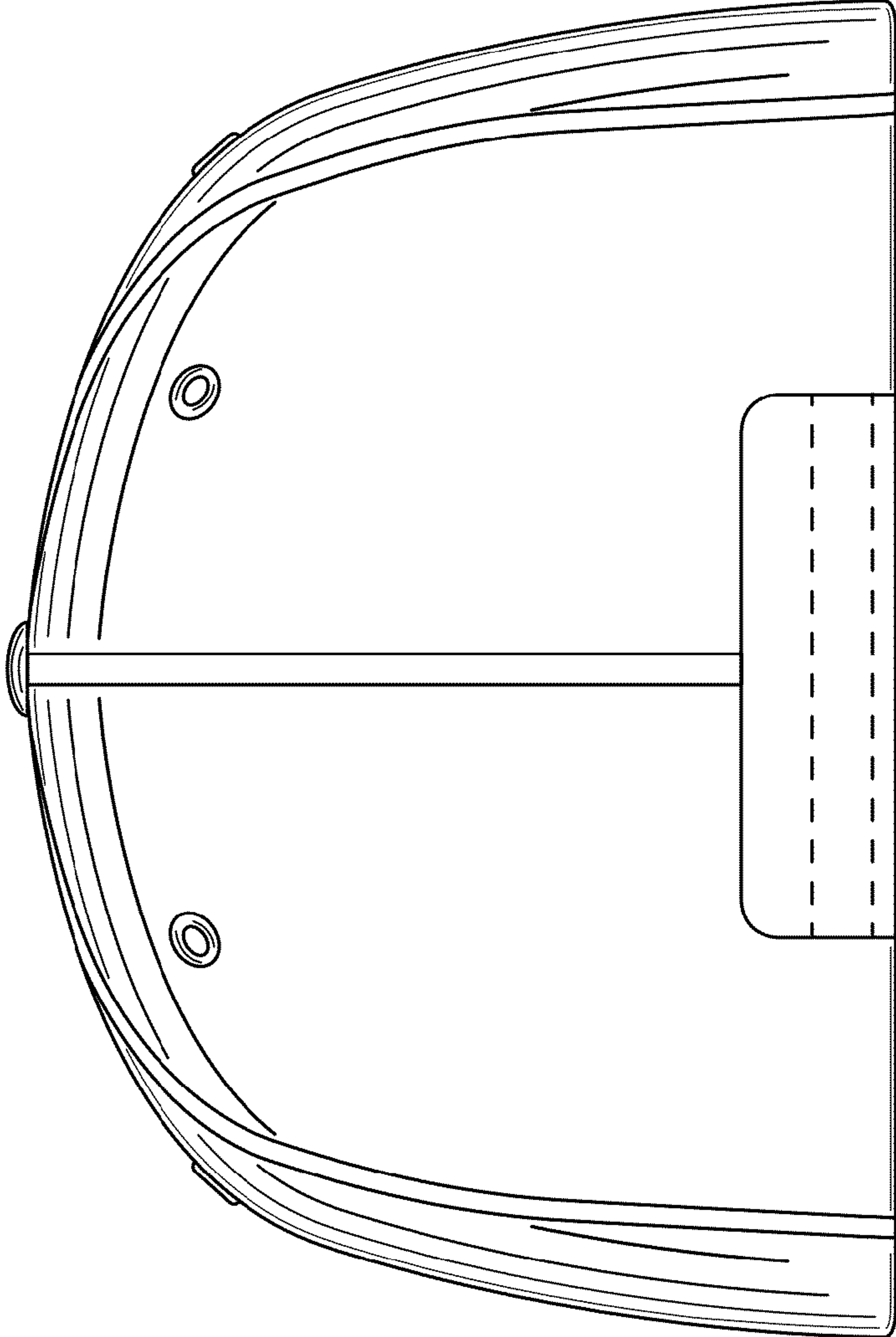


Fig. 3

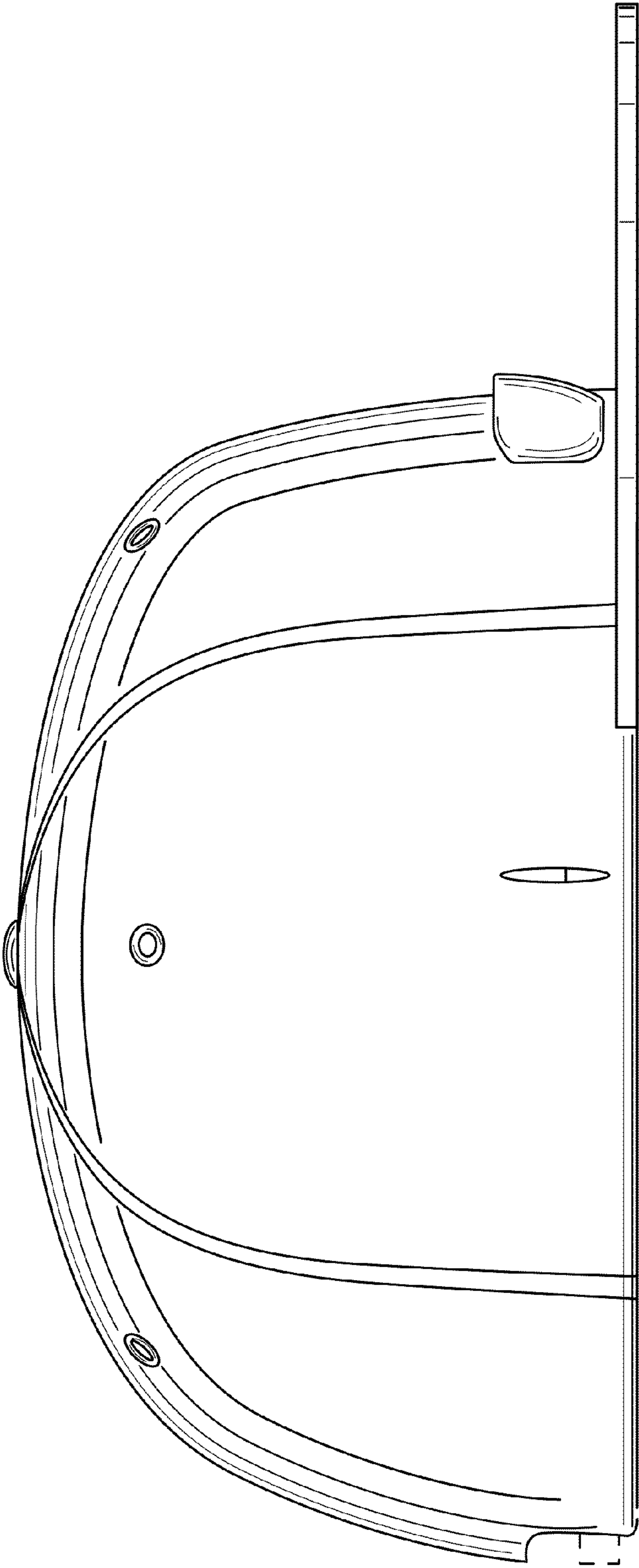


Fig. 4

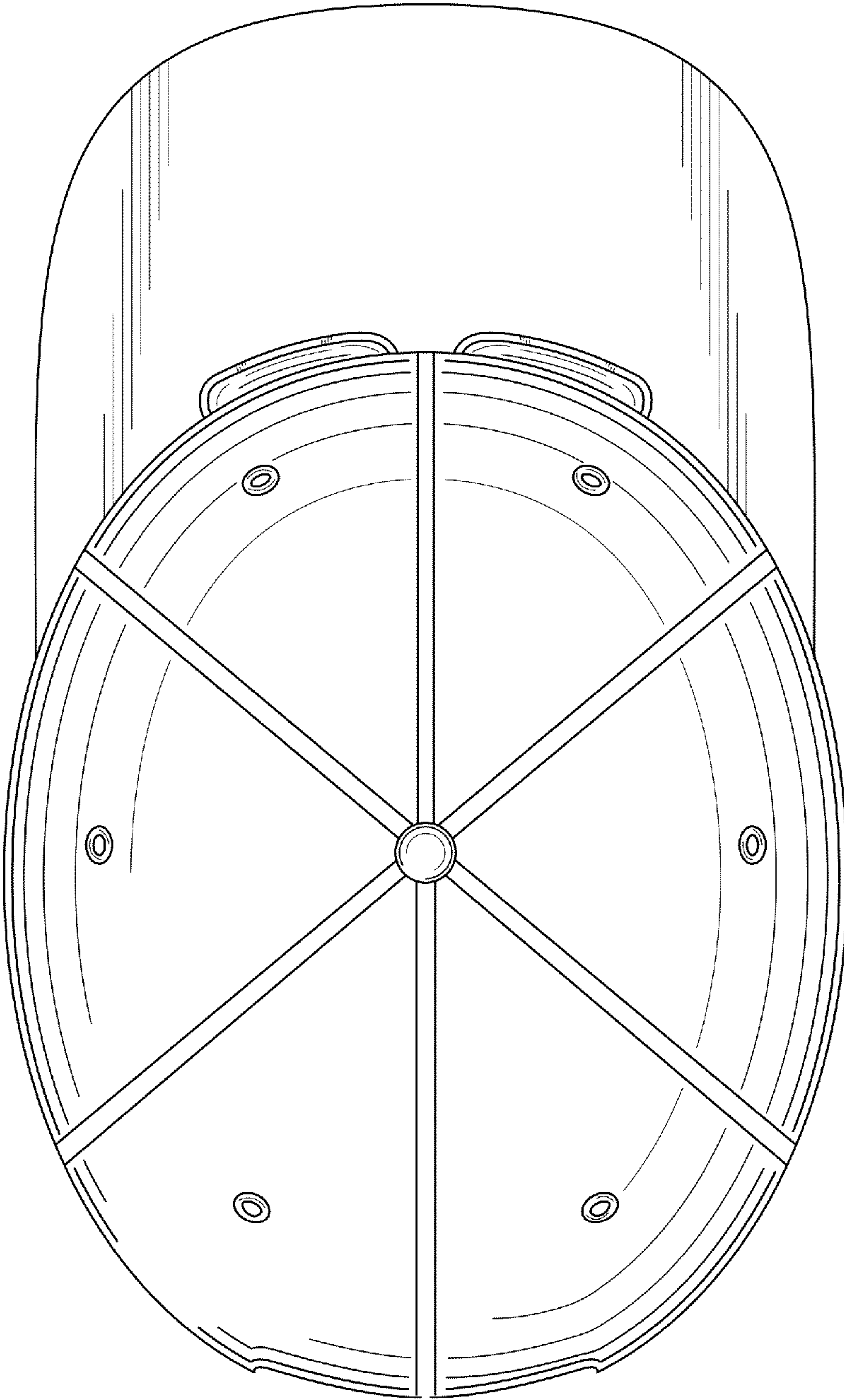


Fig. 5

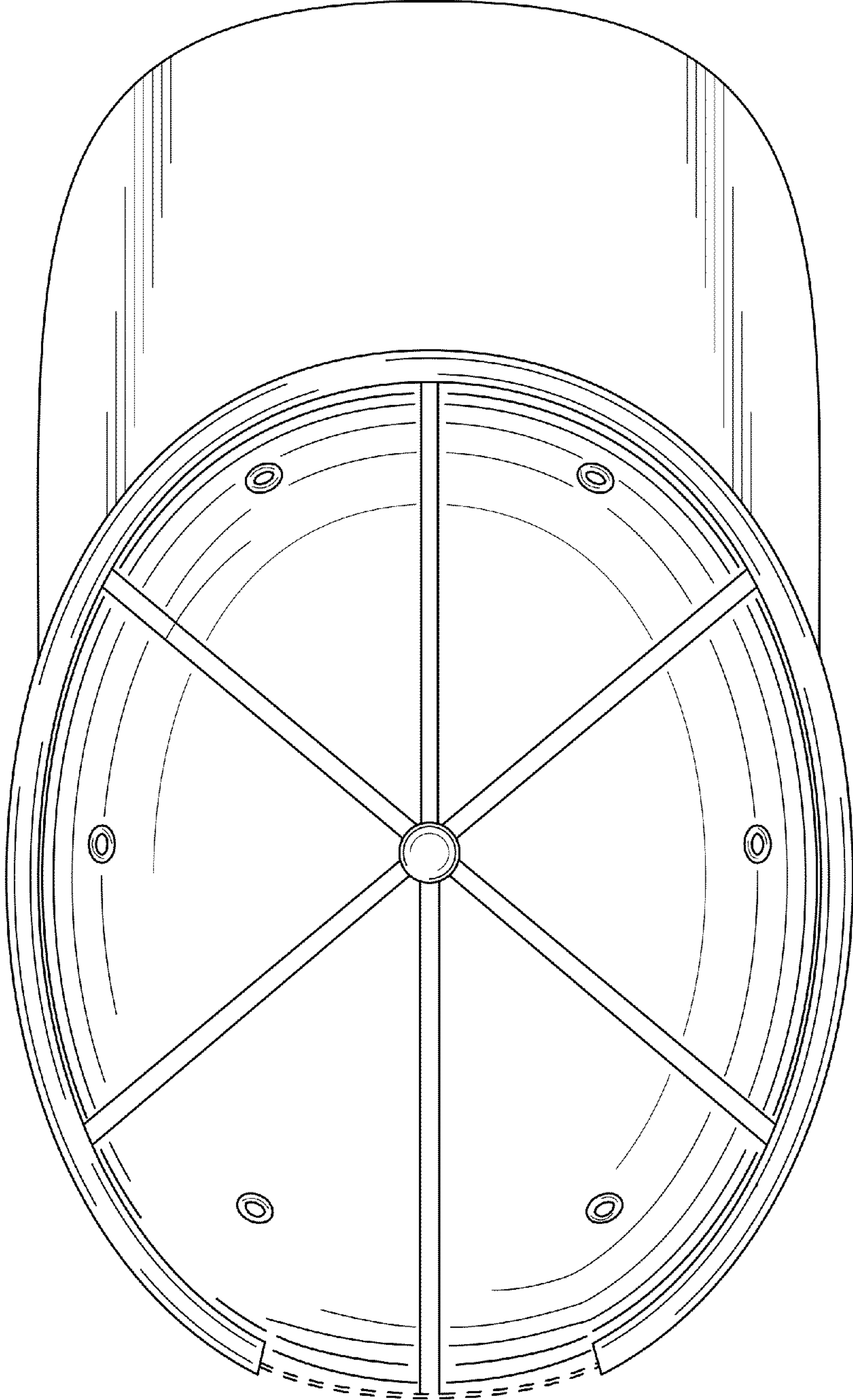


Fig. 6

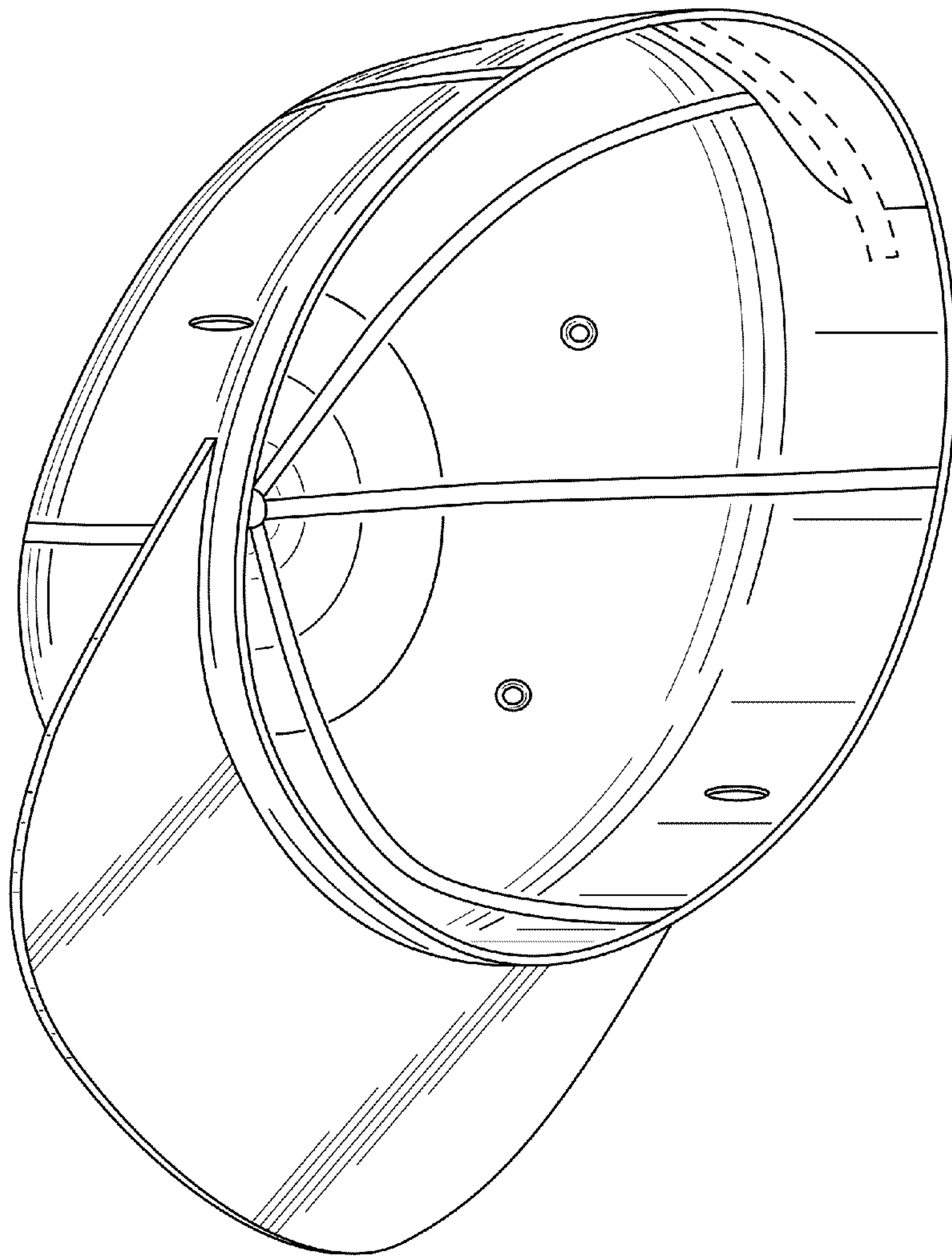


Fig. 7