



US00D718015S

(12) **United States Design Patent**
Dooley

(10) **Patent No.:** **US D718,015 S**

(45) **Date of Patent:** **** Nov. 18, 2014**

(54) **DISPLAY SAFE**

(71) Applicant: **Leonard L. Dooley**, Playa del Rey, CA
(US)

(72) Inventor: **Leonard L. Dooley**, Playa del Rey, CA
(US)

(**) Term: **14 Years**

(21) Appl. No.: **29/467,058**

(22) Filed: **Sep. 13, 2013**

(51) **LOC (10) Cl.** **99-00**

(52) **U.S. Cl.**
USPC **D99/28**

(58) **Field of Classification Search**
USPC D99/28, 34, 35, 43, 99; D3/903;
D20/10, 19; 109/1 R, 1 V, 2, 23, 45, 58,
109/78; 206/0.8, 0.81, 0.815, 0.82, 0.83,
206/0.84

See application file for complete search history.

(56) **References Cited**

U.S. PATENT DOCUMENTS

2,532,857	A	*	12/1950	Ricciardi	220/662
D197,045	S	*	12/1963	Spadaro	D99/34
D297,195	S	*	8/1988	Warwicker	D6/559
D314,464	S	*	2/1991	Justice	D99/28
D335,748	S	*	5/1993	Suzuki	D99/34
D350,002	S	*	8/1994	Viola	D99/28
D371,886	S	*	7/1996	Nordgren	D99/34
D516,768	S	*	3/2006	Walker	D99/28
D516,769	S	*	3/2006	Walker	D99/28
D517,269	S	*	3/2006	Walker	D99/28

D517,770	S	*	3/2006	Walker	D99/28
D575,147	S	*	8/2008	Ruybal	D99/34
D589,787	S	*	4/2009	Ruybal	D99/34
D624,275	S	*	9/2010	Min	D99/28

* cited by examiner

Primary Examiner — Elizabeth J Oswecki

(74) *Attorney, Agent, or Firm* — QuickPatents; Kevin Prince

(57) **CLAIM**

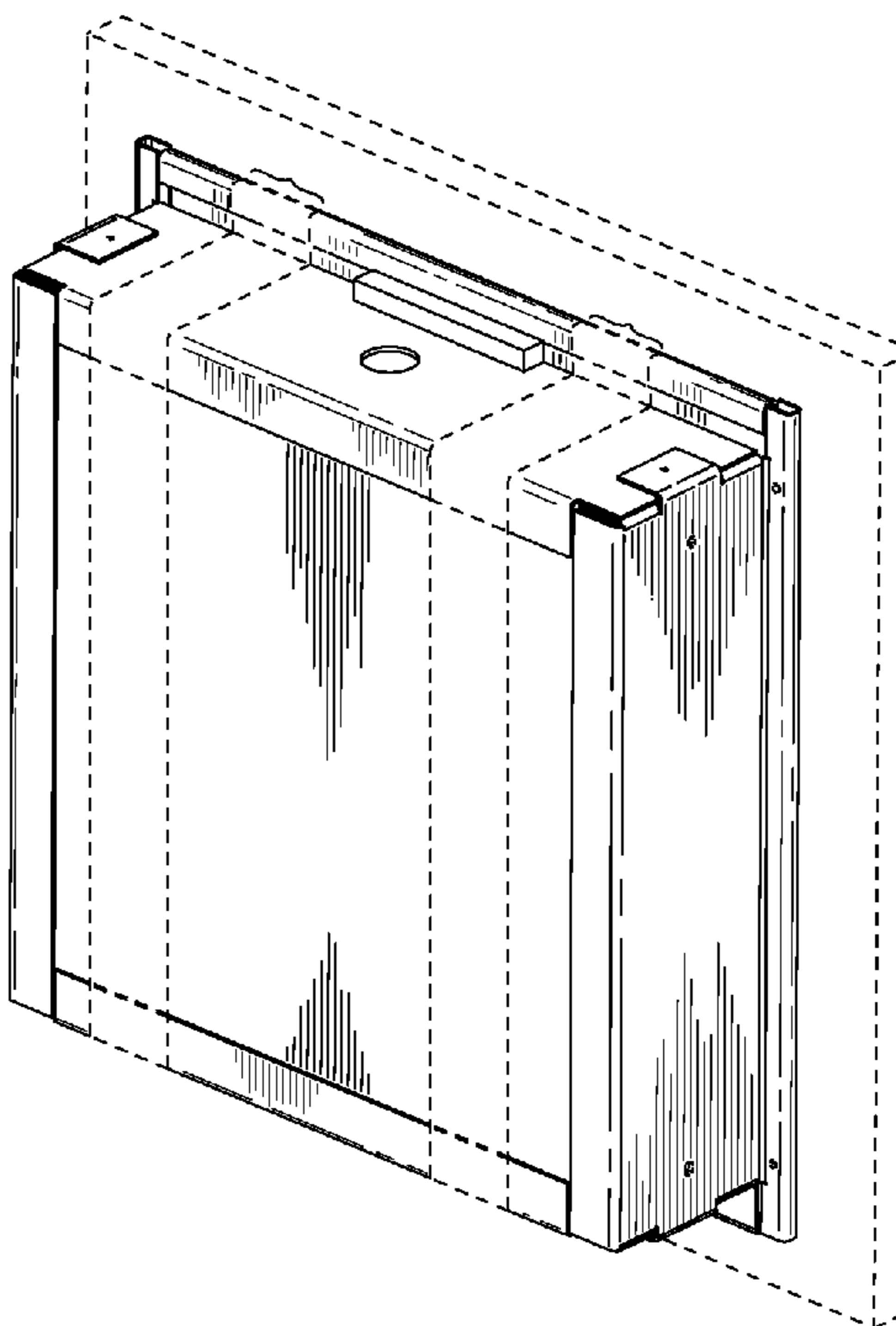
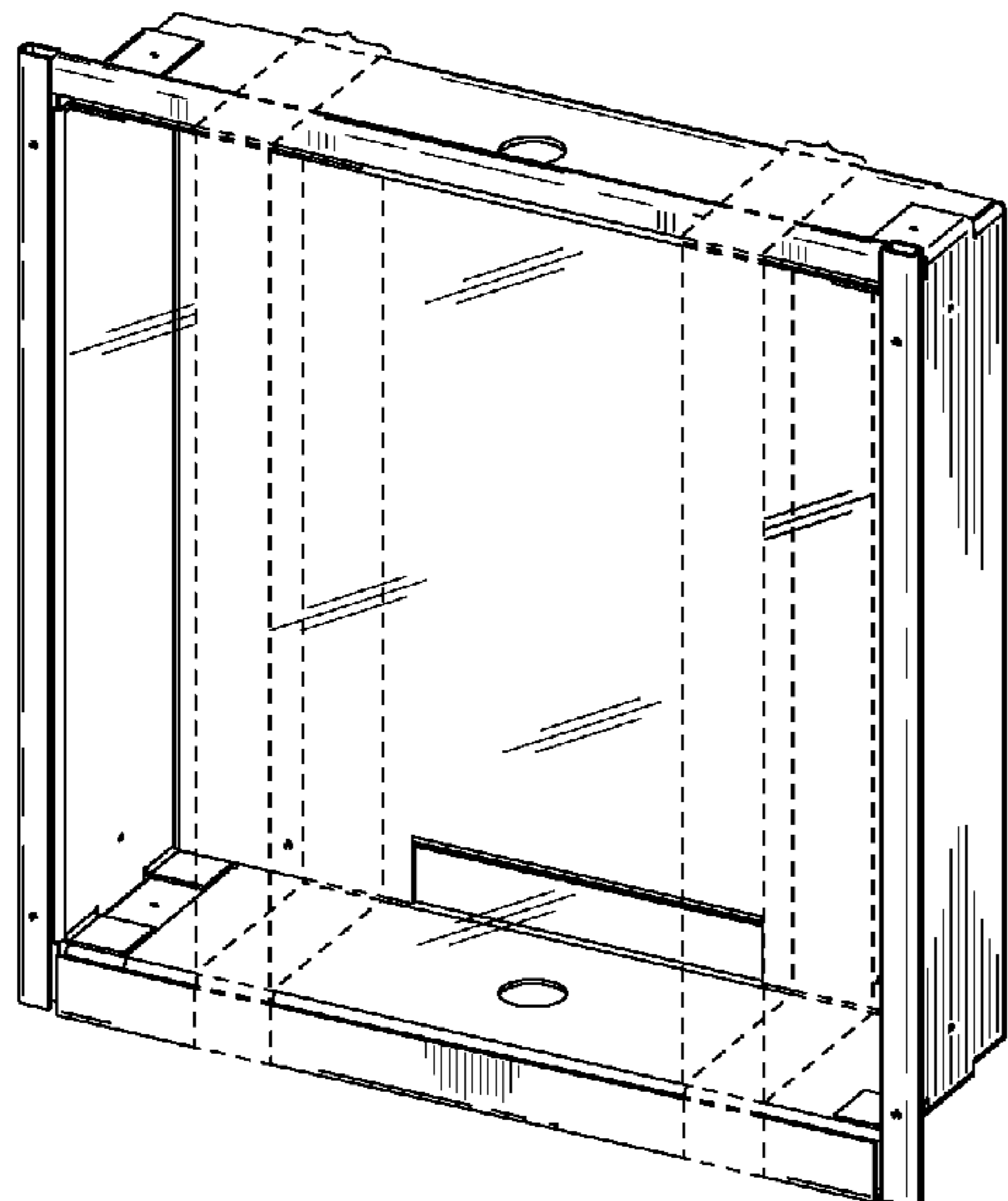
I claim the ornamental design for a display safe, as shown and described.

DESCRIPTION

FIG. 1 is a front perspective view of a display safe, showing my new design;
FIG. 2 is a rear perspective view thereof;
FIG. 3 is a front elevational view thereof;
FIG. 4 is a rear elevational view thereof;
FIG. 5 is a right-side elevational view thereof, the left-side elevational view being a mirror image thereof;
FIG. 6 is a top plan view thereof; and,
FIG. 7 is a bottom plan view thereof.

The broken lines of the picture frame in FIG. 2 and the small circles in FIGS. 1-7 depict environmental subject matter and form no part of the claimed design. The broken away showing of the left and right portions in broken lines of the display safe indicates that the appearance of any portion of the article between the break lines forms no part of the claimed design.

1 Claim, 3 Drawing Sheets



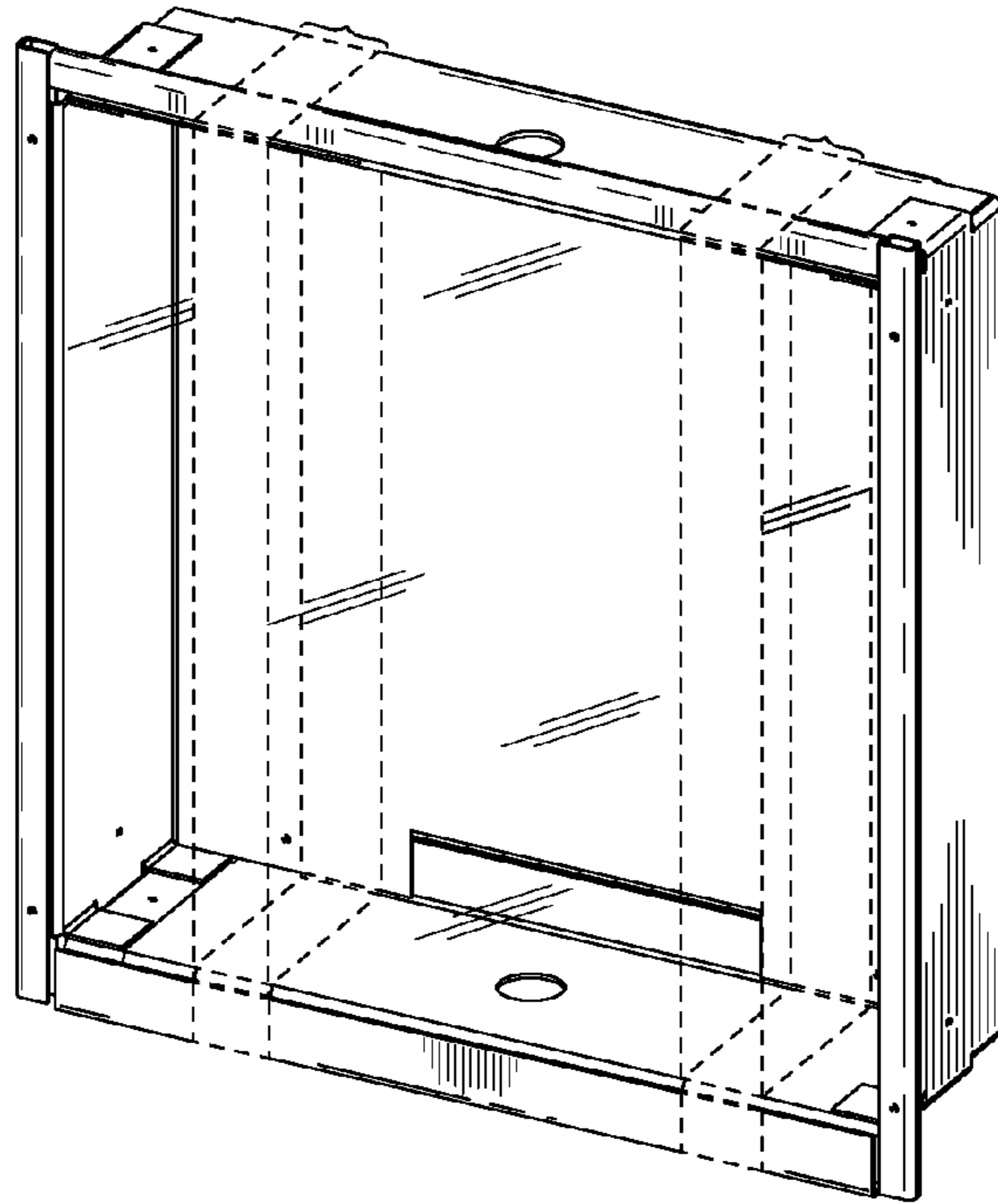


FIG. 1

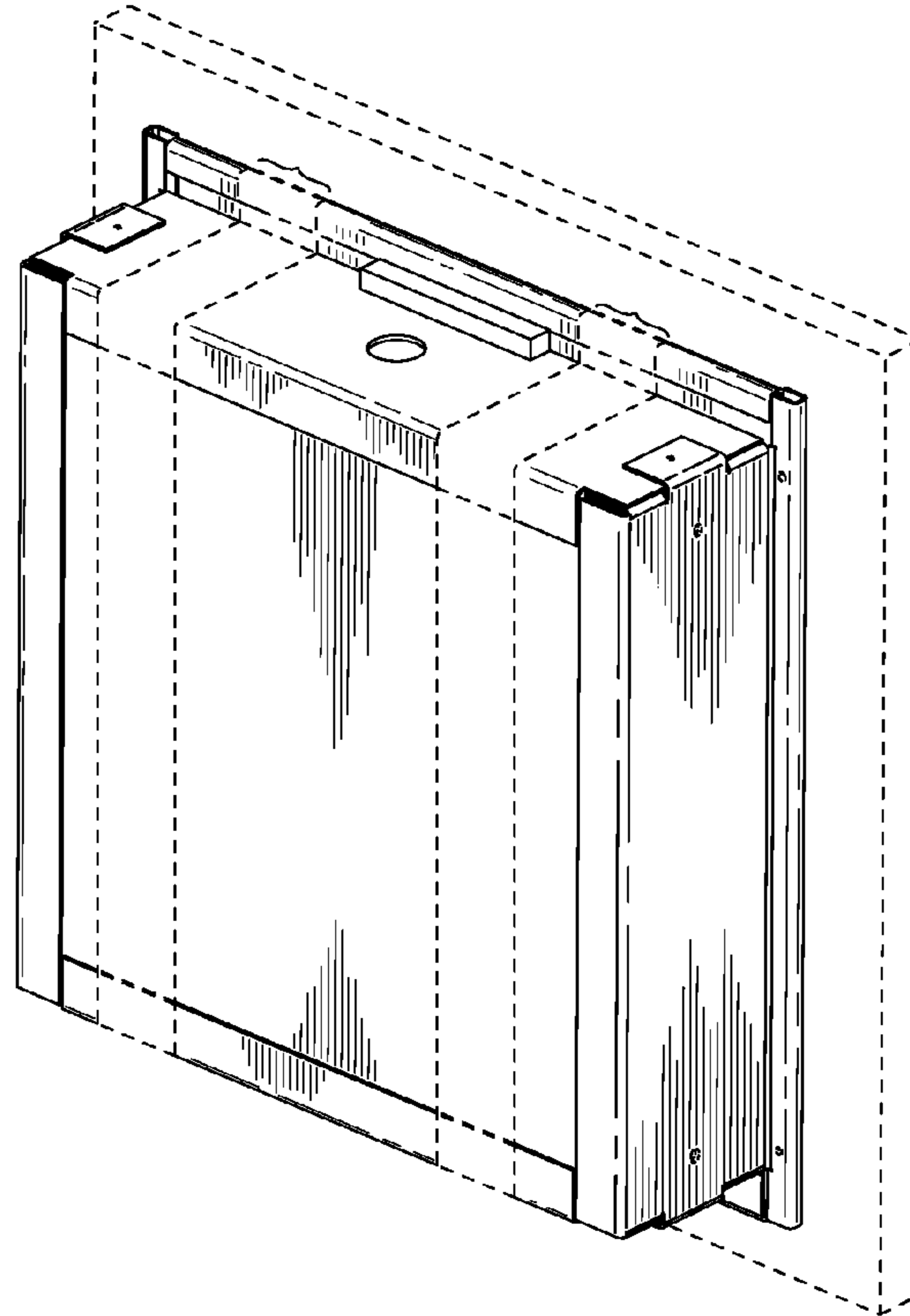


FIG. 2

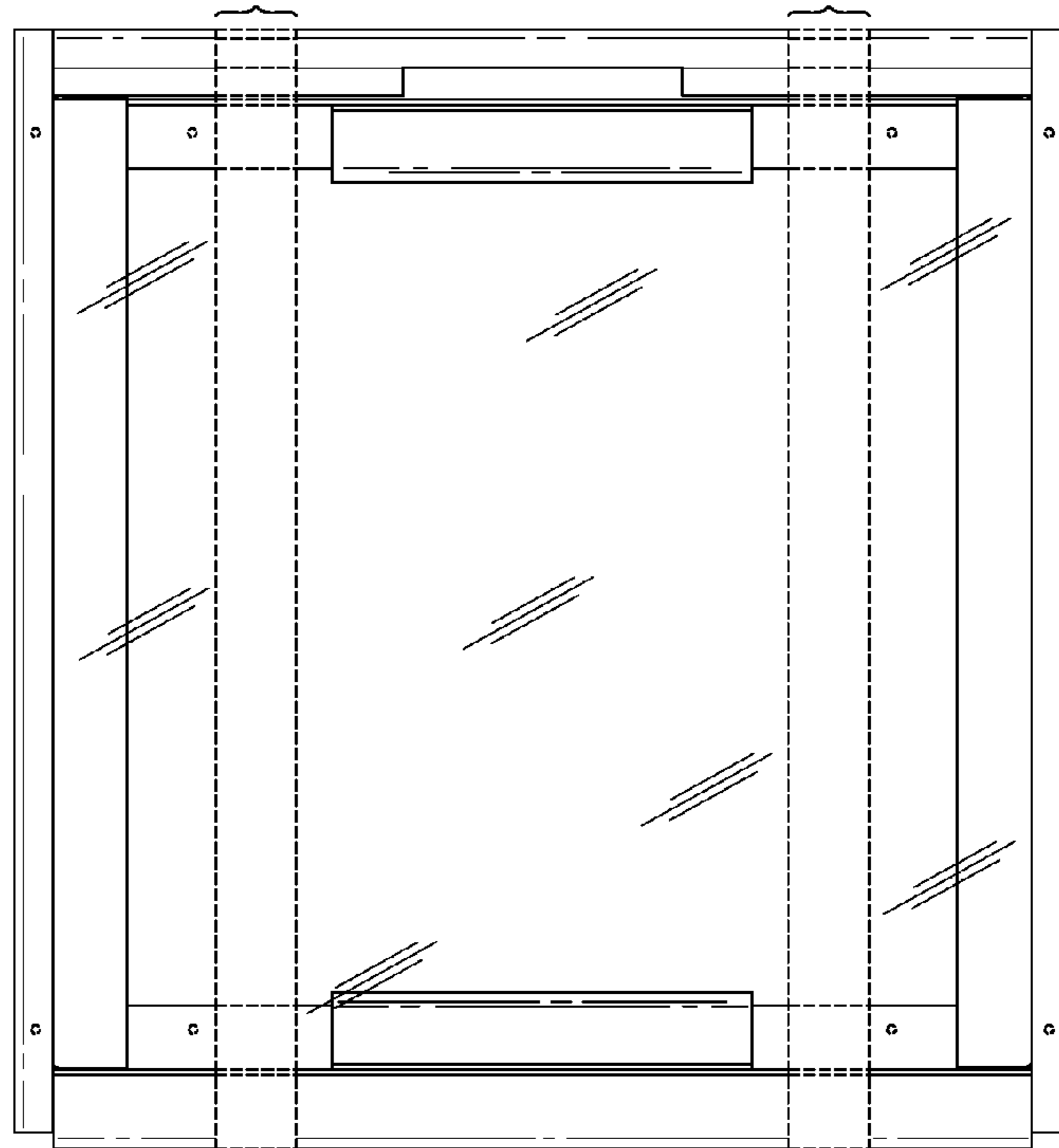


FIG. 3

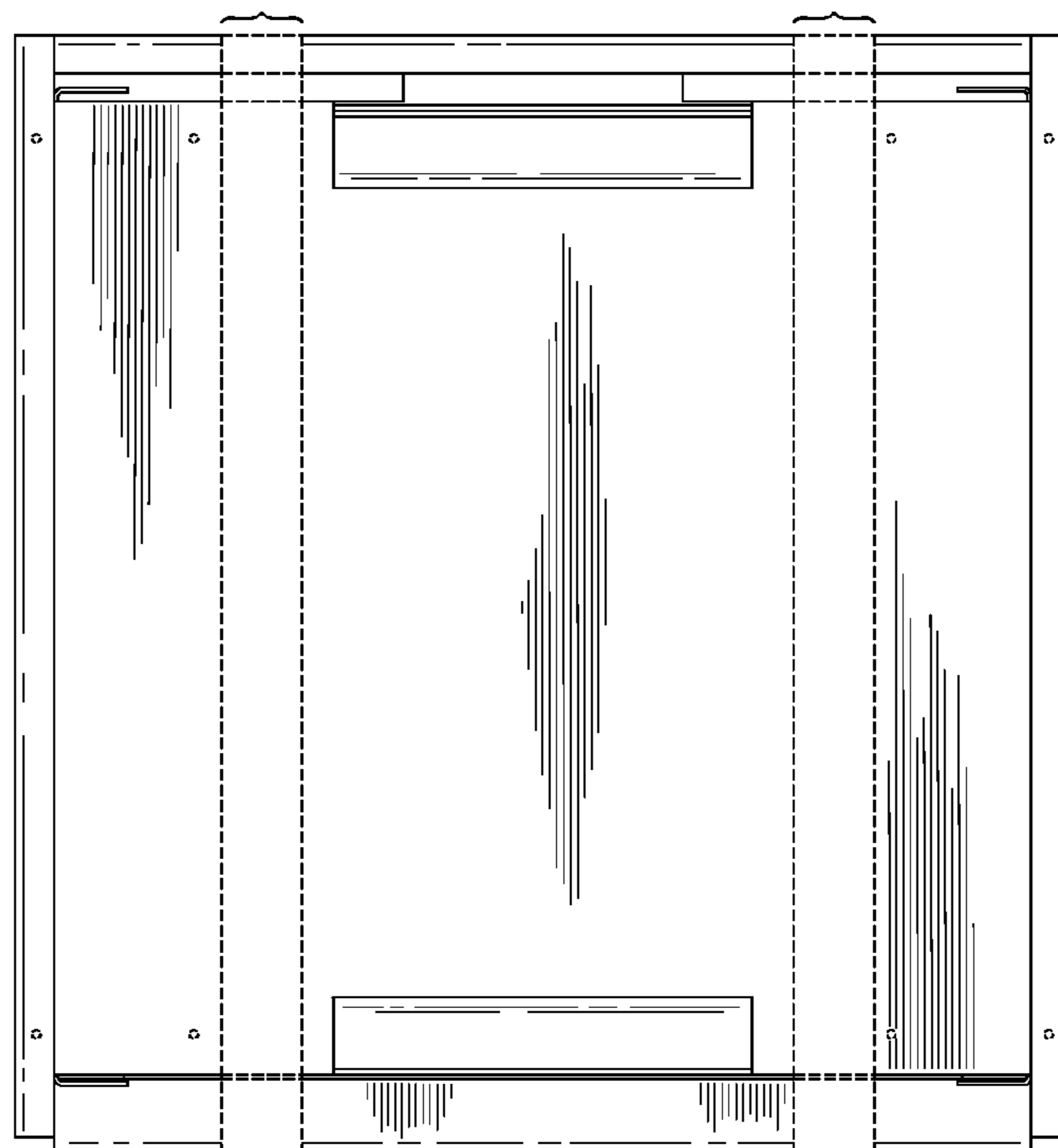


FIG. 4

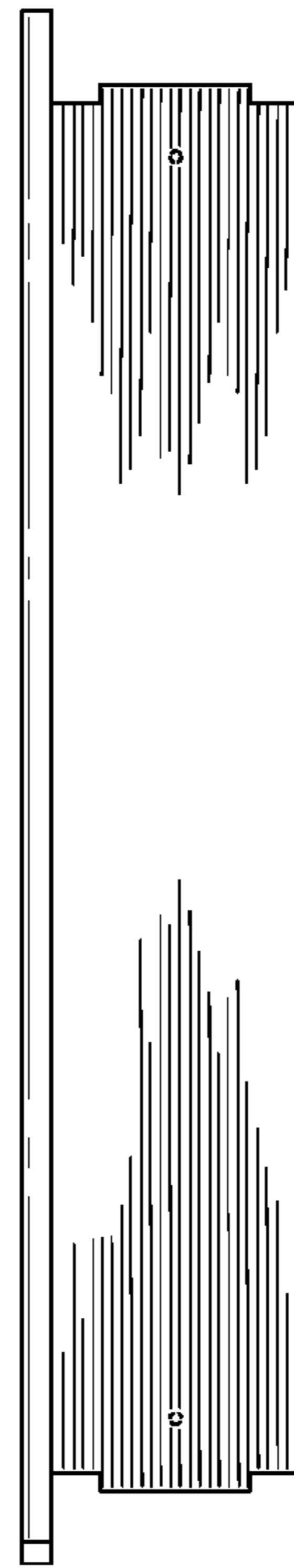


FIG. 5

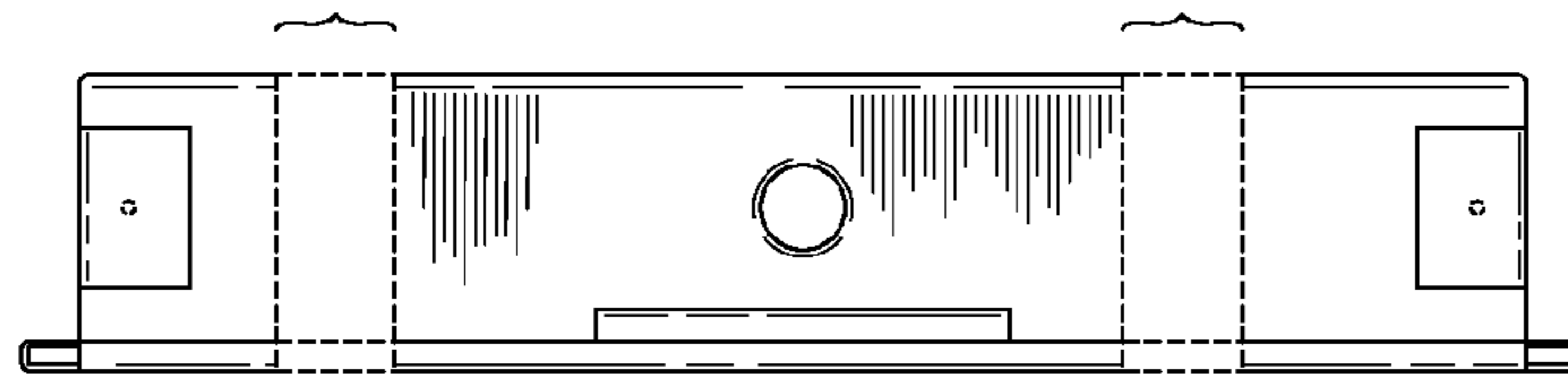


FIG. 6

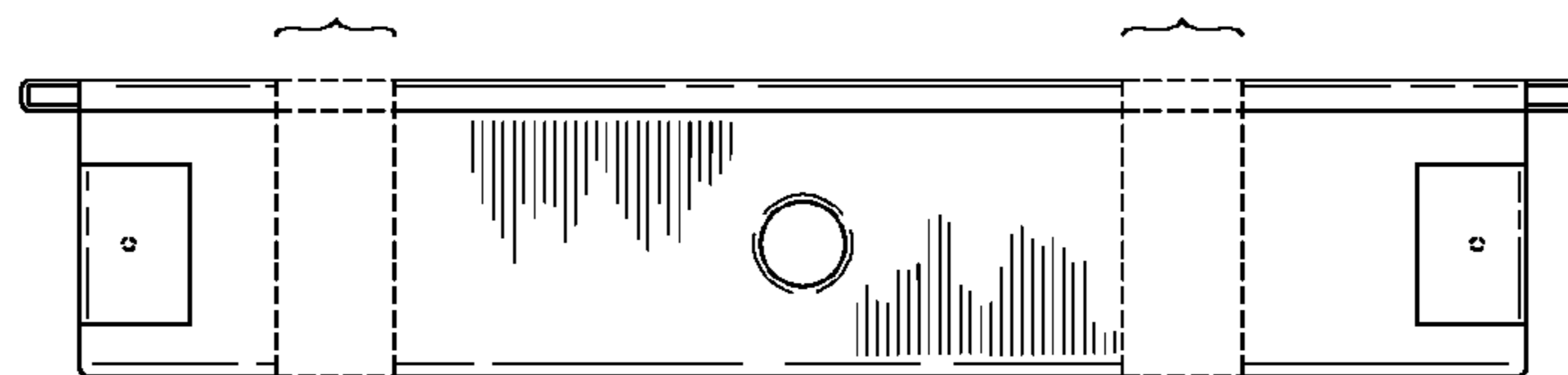


FIG. 7