

US00D718013S

(12) **United States Design Patent**
Goldszer

(10) **Patent No.:** **US D718,013 S**

(45) **Date of Patent:** **** Nov. 18, 2014**

- (54) **LIGHT DUTY X-FRAME CART**
- (71) Applicant: **JGR Copa LLC**, Hollywood, FL (US)
- (72) Inventor: **Jacob Goldszer**, Hollywood, FL (US)
- (73) Assignee: **JGR Copa LLC**, Hollywood, FL (US)
- (**) Term: **14 Years**
- (21) Appl. No.: **29/475,918**
- (22) Filed: **Dec. 9, 2013**
- (51) **LOC (10) Cl.** **12-02**
- (52) **U.S. Cl.**
USPC **D34/20**
- (58) **Field of Classification Search**
CPC B62B 1/12; B62B 1/208; B62B 1/14;
B62B 2202/26; B62B 2202/404; B62B 3/02;
B62B 3/022; B62B 5/0083; B62B 2202/24
USPC D34/12-27; 280/652, 639, 47.131,
280/47.26, DIG. 3
See application file for complete search history.

4,222,585 A	9/1980	Crothers	
4,239,282 A	12/1980	White	
4,266,807 A	5/1981	Griffin	
4,429,897 A	2/1984	Friedman et al.	
4,703,944 A	11/1987	Higson	
4,790,559 A	12/1988	Edmonds	
4,865,346 A	9/1989	Carlile	
4,887,837 A	12/1989	Bonewicz, Jr. et al.	
5,197,754 A	3/1993	Ward	
D334,640 S *	4/1993	Forish	D34/24
D338,791 S	8/1993	Cohen	
5,265,892 A *	11/1993	Said	280/30
D342,363 S	12/1993	Stein	
D343,537 S	1/1994	Harde	
D365,187 S	12/1995	Tsai	
D394,756 S	6/1998	Gryp et al.	
5,785,334 A *	7/1998	Robinson	280/204
D401,729 S	11/1998	Wu	
5,863,055 A	1/1999	Kasravi et al.	
5,915,722 A	6/1999	Thrasher et al.	
5,988,671 A	11/1999	Abelbeck et al.	

(Continued)

Primary Examiner — Cynthia Ramirez
(74) *Attorney, Agent, or Firm* — Robert C. Kain, Jr.

(56) **References Cited**

U.S. PATENT DOCUMENTS

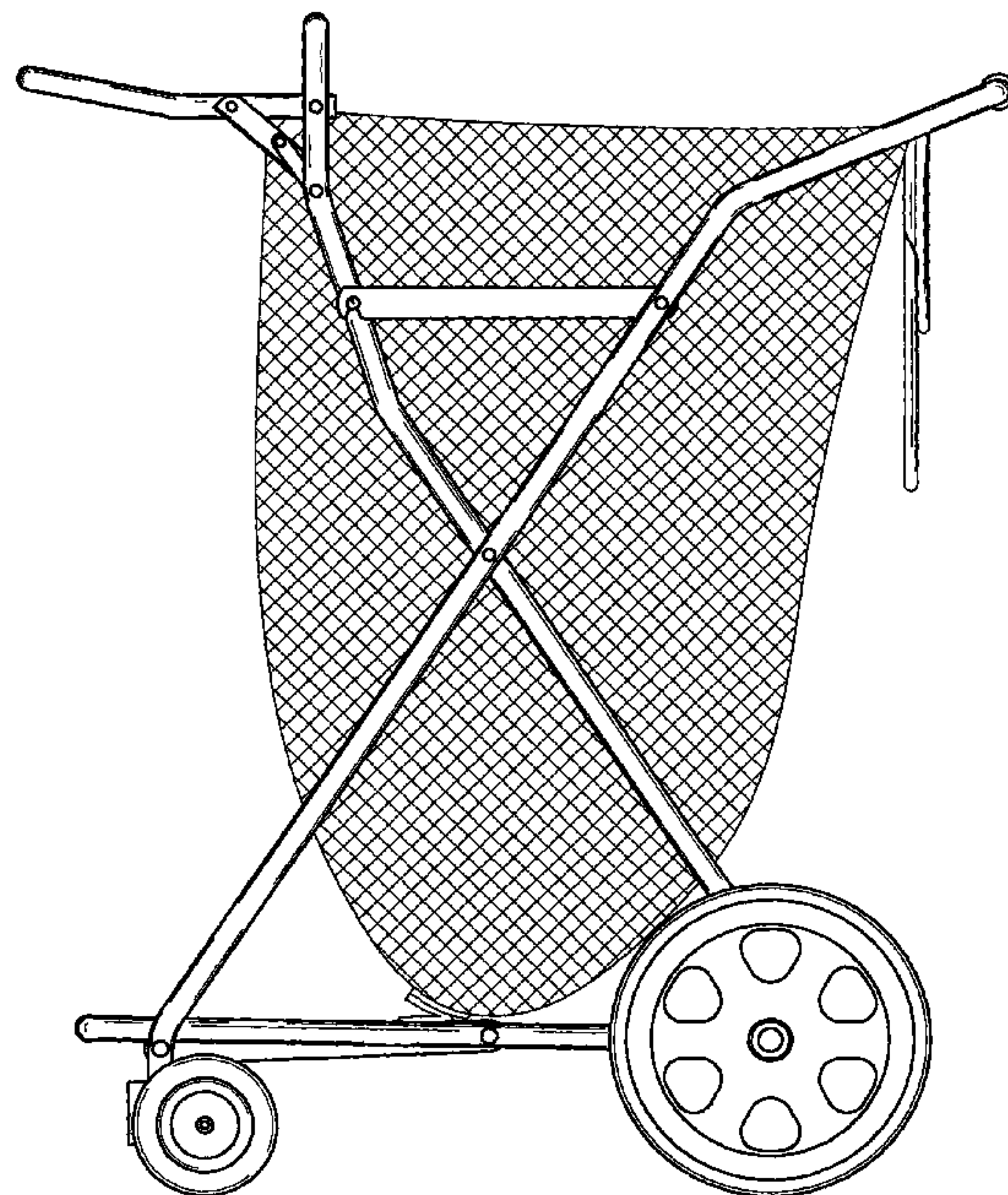
1,157,351 A	10/1915	Weber	
1,769,418 A *	7/1930	Cooper et al.	280/645
D160,659 S	10/1950	Reece	
D165,191 S	11/1951	Reece	
D180,392 S	6/1957	Giudice	
3,191,958 A	6/1965	Smith	
3,627,342 A	12/1971	Morellet	
3,677,571 A	7/1972	Maturo, Jr. et al.	
3,693,993 A	9/1972	Mazzarelli et al.	
3,992,038 A *	11/1976	Guadano, Sr.	280/659
4,055,357 A	10/1977	Sorocin	
D250,326 S *	11/1978	Blatzer et al.	D34/26

(57) **CLAIM**
The ornamental design for a light duty X-frame cart, as shown and described.

DESCRIPTION

FIG. 1 is a left side view of a light duty X-frame cart, the right side being a mirror image thereof.
FIG. 2 is a front elevational view of the cart shown in FIG. 1.
FIG. 3 is a rear view of the cart shown in FIG. 1.
FIG. 4 is a bottom view of the cart shown in FIG. 1; and,
FIG. 5 is a top view of the cart shown in FIG. 1.
The cross-hatch lines in the Figures shows netting.

1 Claim, 5 Drawing Sheets



(56)

References Cited

U.S. PATENT DOCUMENTS

D431,401 S	10/2000	Haney		D643,989 S	8/2011	Goldszer	
D440,797 S	4/2001	Norman		D655,474 S	3/2012	Goldszer	
D444,927 S *	7/2001	Lin	D32/37	8,439,374 B1 *	5/2013	Elden	280/47.26
D448,907 S	10/2001	Tsai		8,511,406 B2 *	8/2013	Anasiewicz	180/19.1
D458,476 S	6/2002	Tseng		8,596,389 B2 *	12/2013	Anasiewicz	180/19.1
6,598,898 B2 *	7/2003	Chu	280/652	8,646,785 B2 *	2/2014	Udall et al.	280/47.26
D479,761 S	9/2003	Tsai		D702,909 S *	4/2014	Stopp	D34/12
D547,981 S	8/2007	Cohen		2002/0017813 A1	2/2002	Greene	
D553,325 S	10/2007	Miller et al.		2002/0084629 A1 *	7/2002	Levy et al.	280/651
D633,679 S	3/2011	DeLuca		2002/0101065 A1	8/2002	McCollum et al.	
D635,732 S *	4/2011	Stopp	D34/12	2003/0234515 A1	12/2003	Han	
				2006/0049614 A1 *	3/2006	Shamah	280/652
				2008/0061524 A1 *	3/2008	Goldszer	280/47.34
				2012/0160576 A1 *	6/2012	Anasiewicz	180/19.1

* cited by examiner

FIG. 1

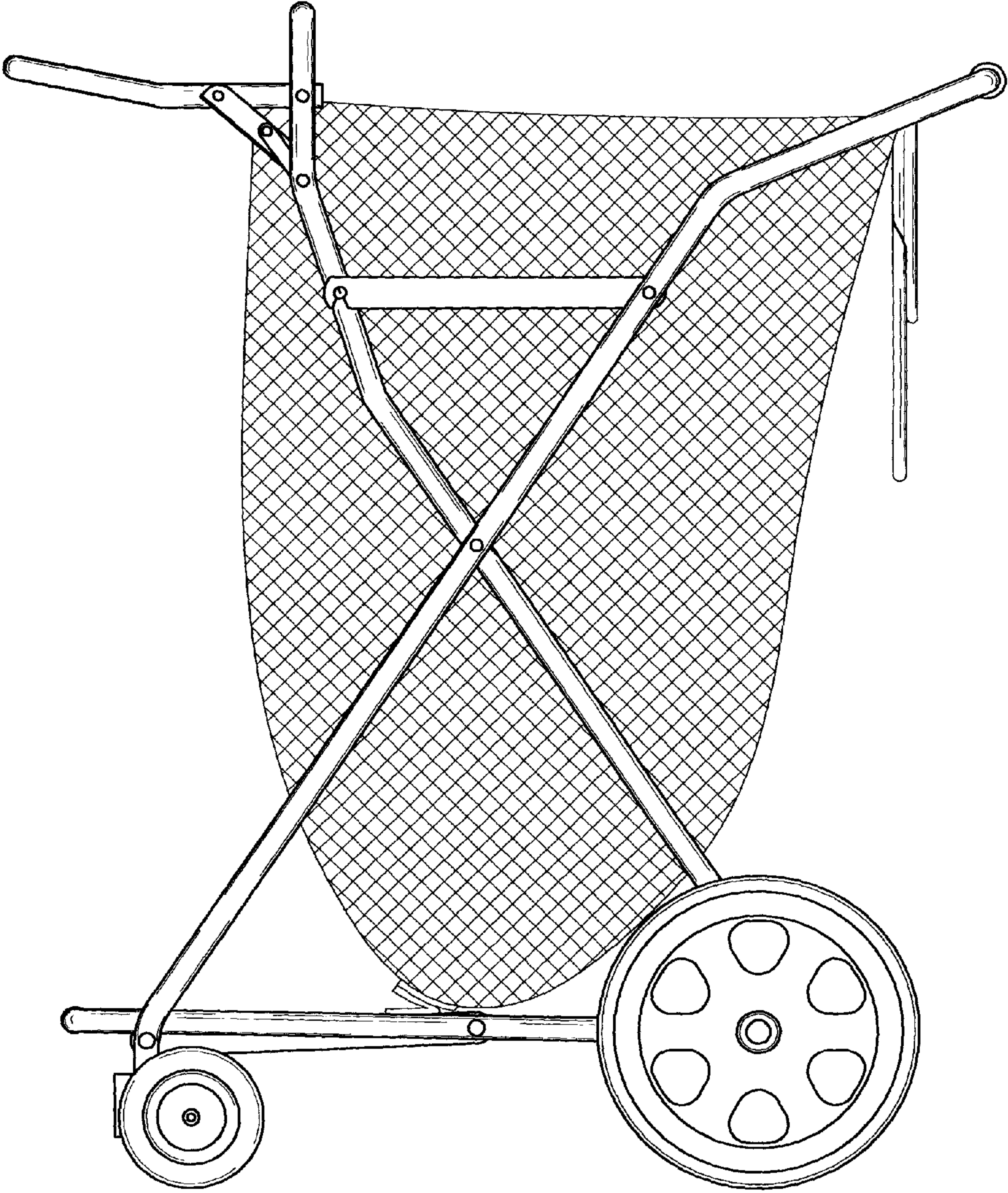


FIG.2

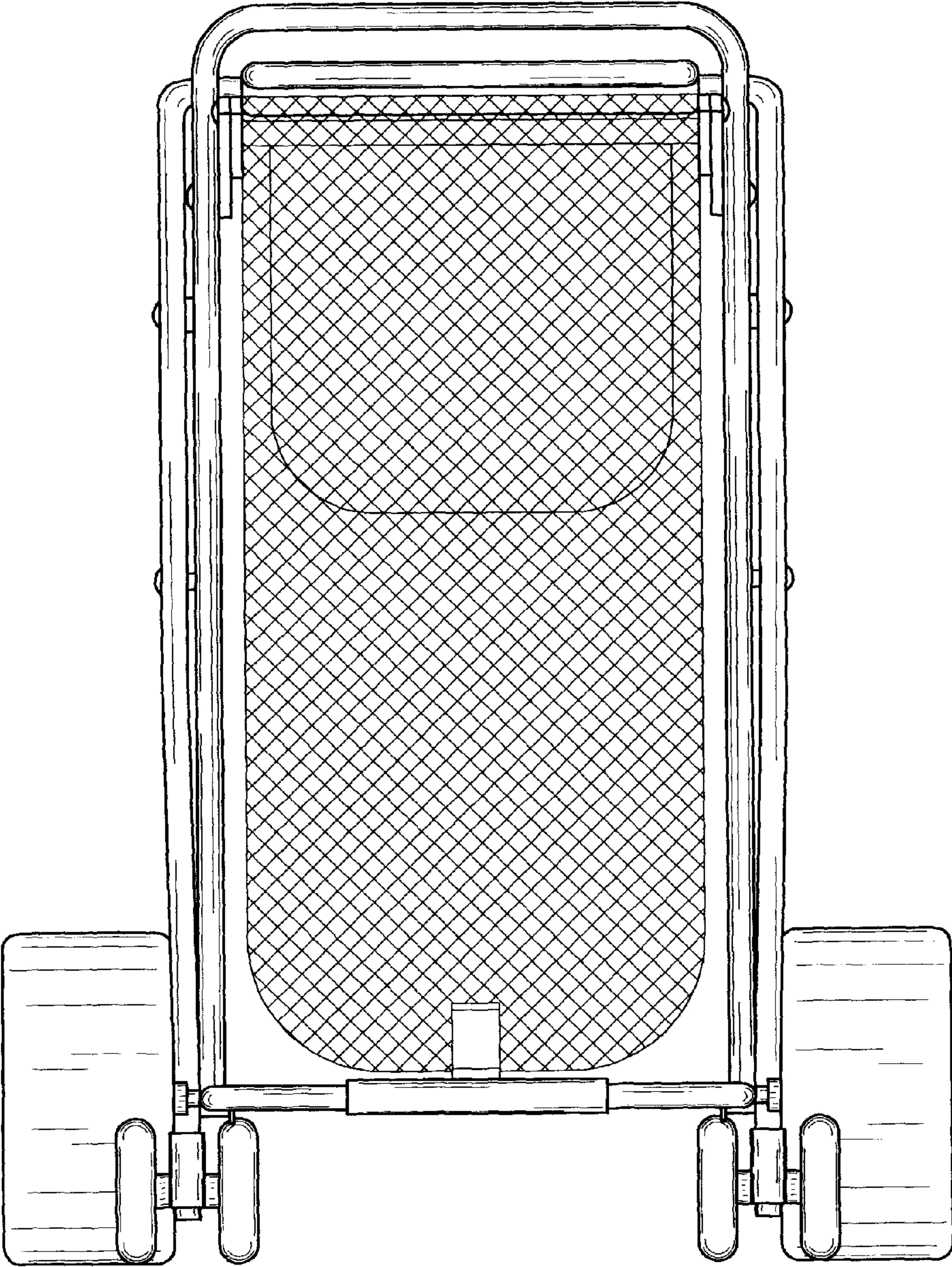


FIG.3

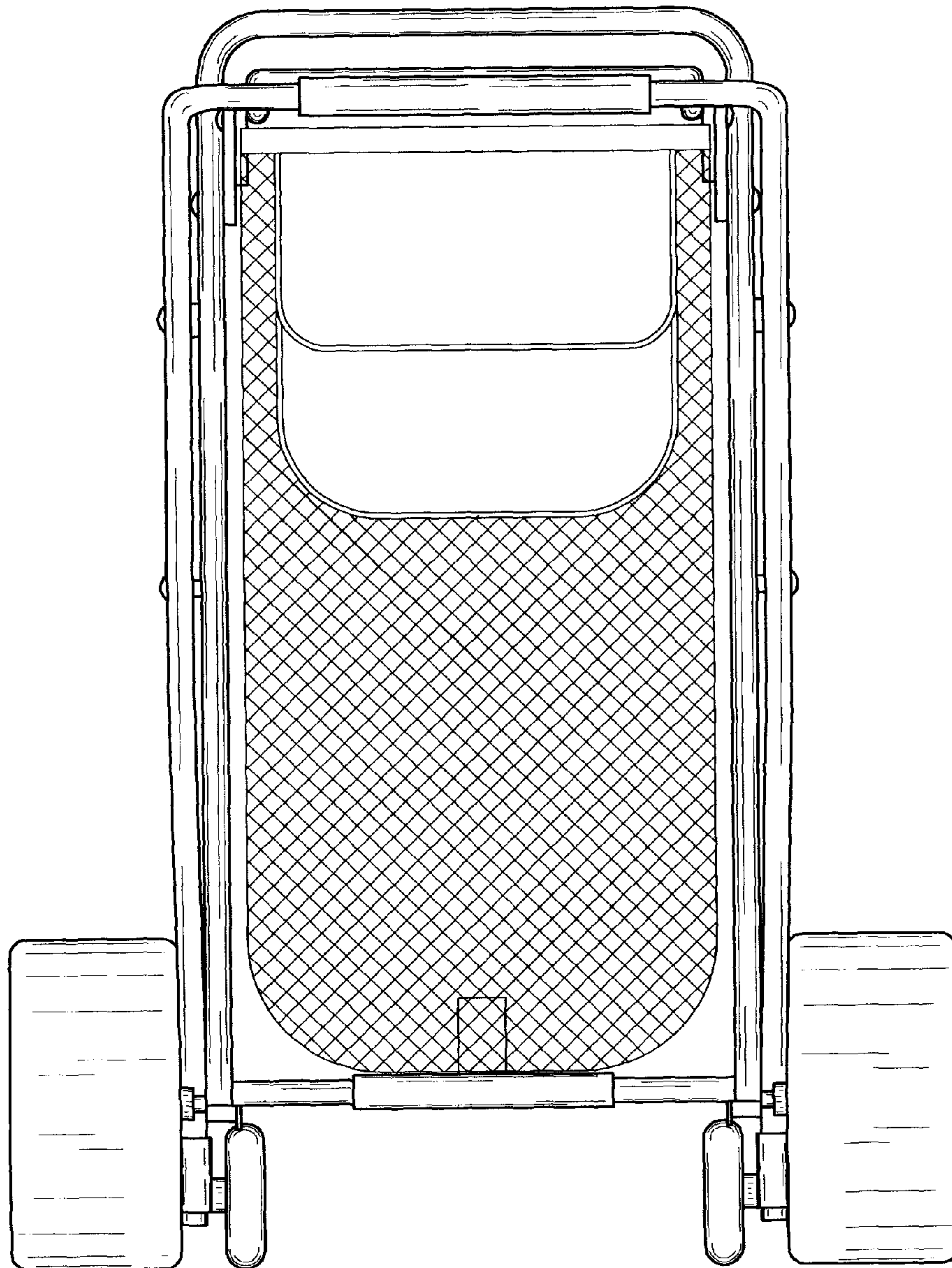


FIG.4

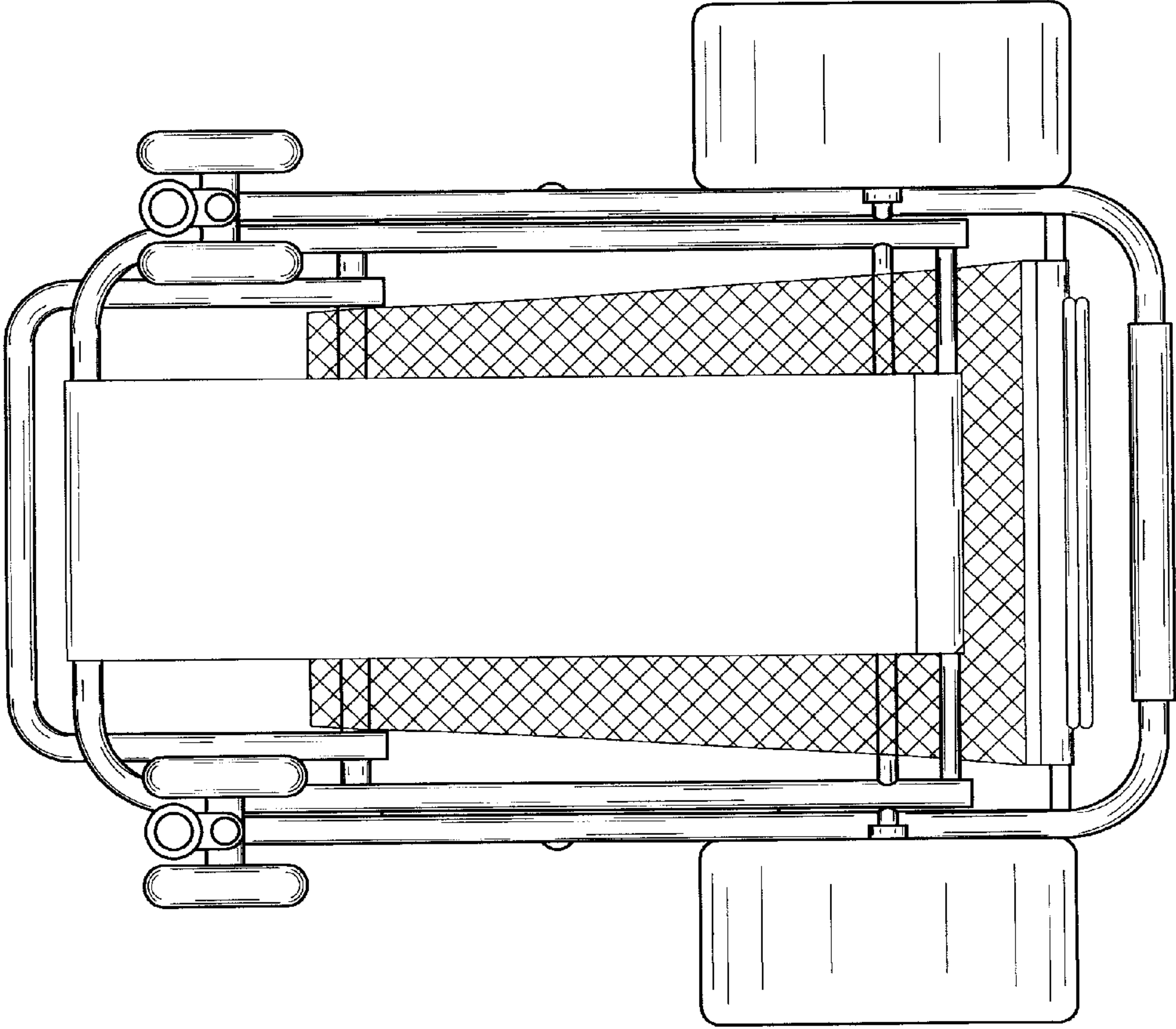


FIG.5

