

US00D718011S

(12) **United States Design Patent**
Lentine

(10) **Patent No.:** **US D718,011 S**

(45) **Date of Patent:** **** Nov. 18, 2014**

(54) **HANDLE GRIP FOR A CLEANING APPARATUS**

(71) Applicant: **Telebrands Corp.**, Fairfield, NJ (US)

(72) Inventor: **Lou Lentine**, Chattanooga, TN (US)

(73) Assignee: **Telebrands Corp.**, Fairfield, NJ (US)

(**) Term: **14 Years**

(21) Appl. No.: **29/489,502**

(22) Filed: **Apr. 30, 2014**

(51) **LOC (10) Cl.** **08-05**

(52) **U.S. Cl.**
USPC **D32/52**

(58) **Field of Classification Search**
USPC D32/50-52, 40, 44, 45; 473/301, 302;
15/143.1, 119.2, 120.1, 120.2, 116.1,
15/116.2, 150, 209.1-210.1;
401/137-140; D8/107, 300, 99, 303;
D4/138; D7/393

See application file for complete search history.

(56) **References Cited**

U.S. PATENT DOCUMENTS

D90,249 S * 7/1933 Hasbrouck D8/30
D154,326 S * 6/1949 Roysner D8/83
D170,438 S * 9/1953 Ziskind D32/51
D231,044 S * 3/1974 Morris D8/303

D246,758 S * 12/1977 Ukai D8/303
4,170,909 A * 10/1979 Wagner 81/63.2
D284,259 S * 6/1986 Oury D8/303
D289,206 S * 4/1987 Scoville et al. D26/140
5,375,286 A * 12/1994 Harrah 15/147.1
D386,063 S * 11/1997 Badiali D8/107
D403,939 S * 1/1999 Zurwelle D8/87
5,987,685 A * 11/1999 Lambert 15/121
D545,517 S * 6/2007 Erken et al. D32/42
D547,017 S * 7/2007 Van Ledingham, Jr. D32/51
D634,087 S * 3/2011 Sgroi et al. D32/40
D652,138 S * 1/2012 Nino et al. D24/133
D707,527 S * 6/2014 Hsieh D8/107

* cited by examiner

Primary Examiner — John Windmuller

(74) *Attorney, Agent, or Firm* — Cooper & Dunham LLP

(57) **CLAIM**

The ornamental design for a handle grip for a cleaning apparatus, as shown and described.

DESCRIPTION

FIG. 1 is a front perspective view of a handle grip for a cleaning apparatus in accordance with the present design; FIG. 2 is a front perspective view thereof; FIG. 3 is a right side view thereof; FIG. 4 is a left side view thereof; FIG. 5 is a top view thereof; and, FIG. 6 is a bottom view thereof.

In the drawings, the broken lines depict environmental subject matter only and form no part of the claimed design.

1 Claim, 3 Drawing Sheets

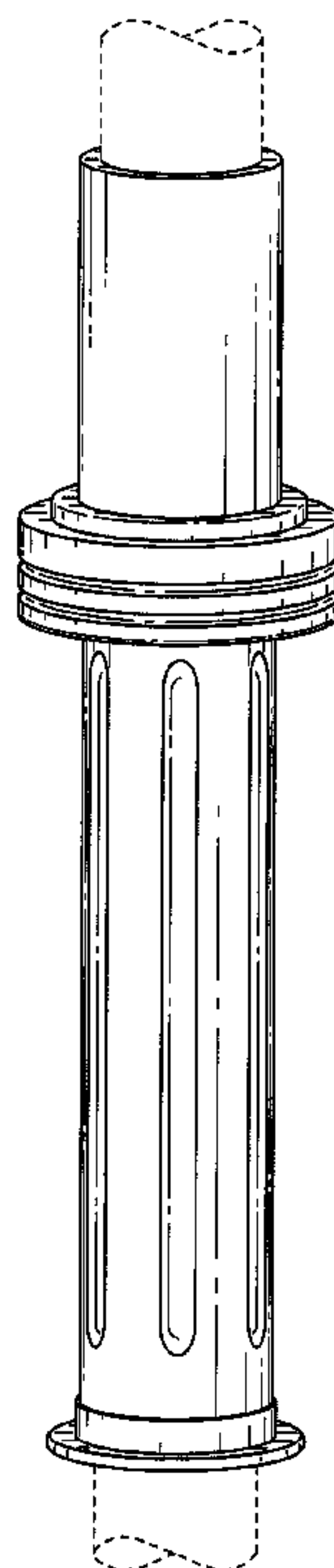


FIG. 1

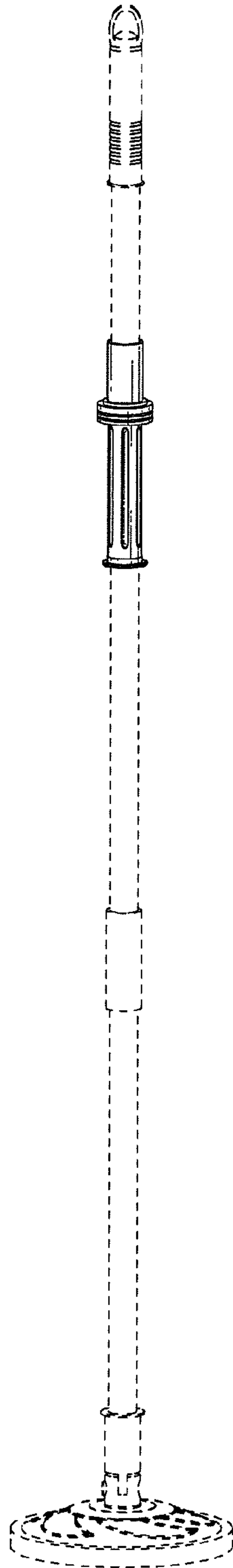


FIG. 2

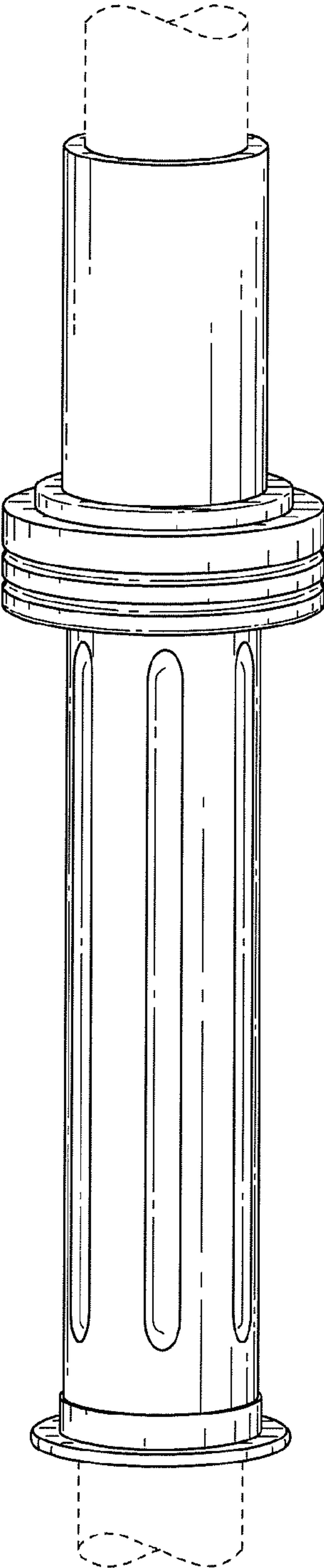


FIG. 3

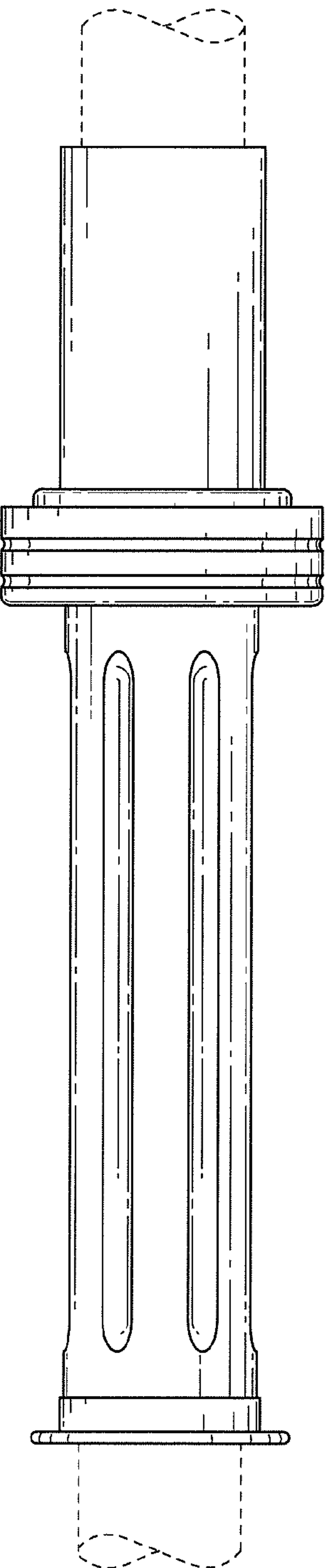


FIG. 4

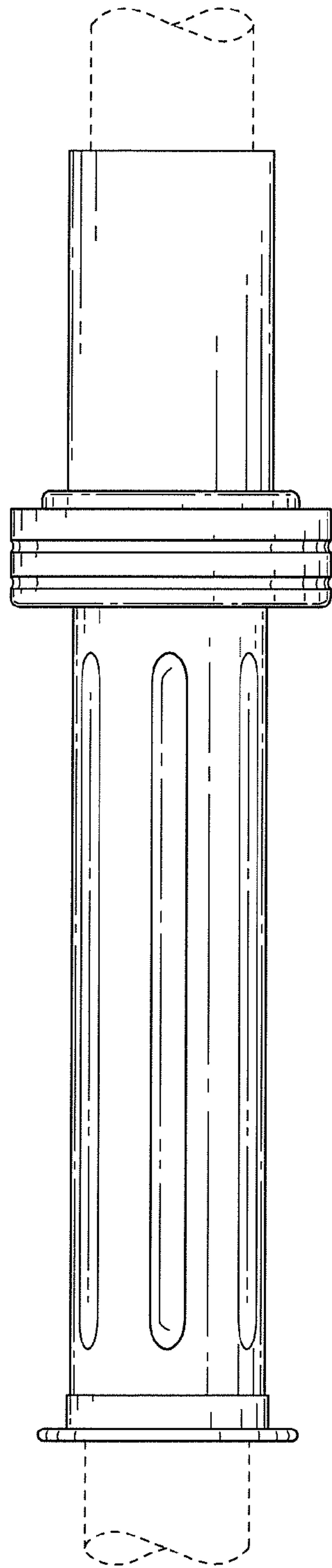


FIG. 5

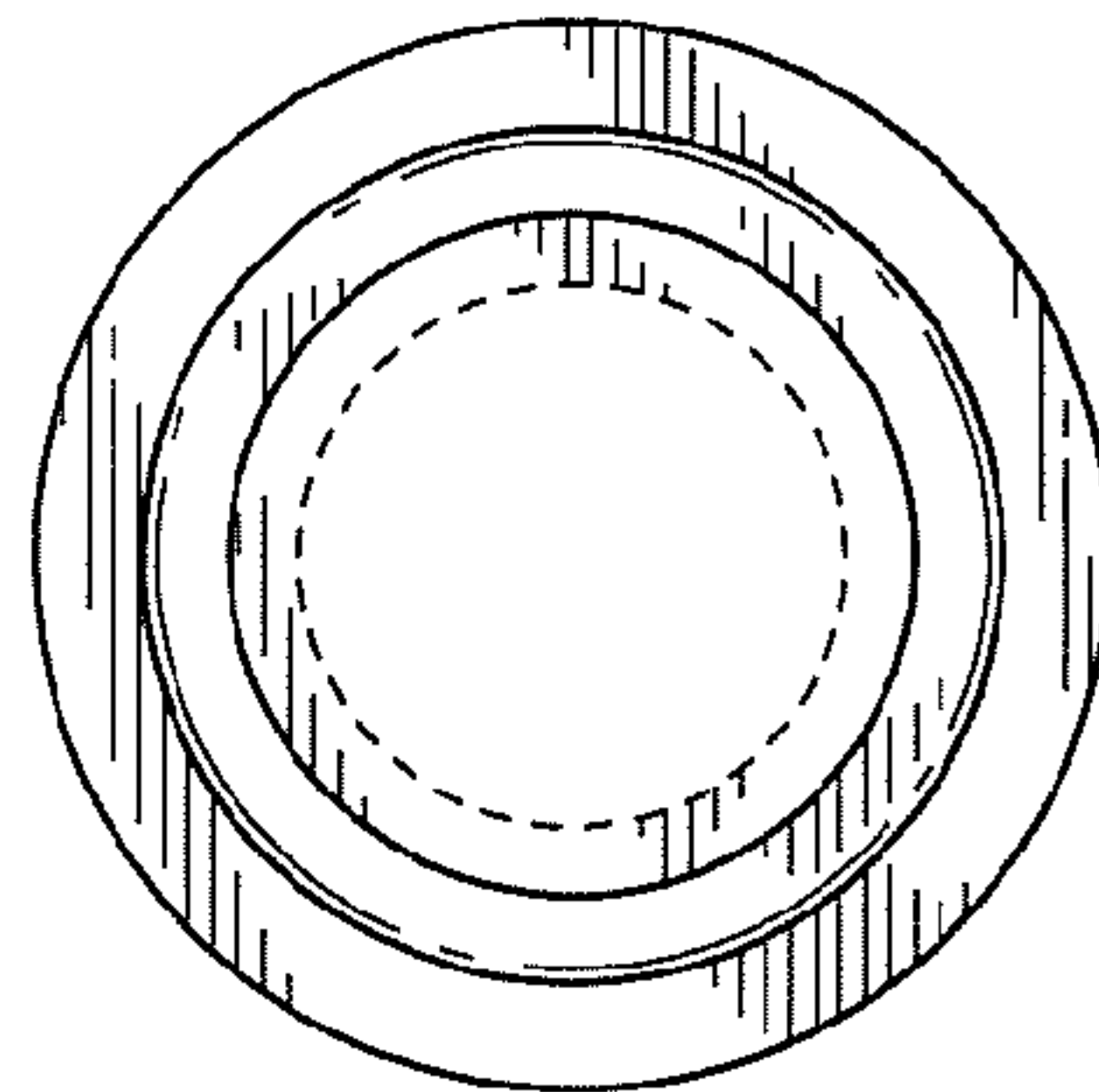


FIG. 6

