



US00D718007S

(12) **United States Design Patent**
Baldwin et al.

(10) **Patent No.:** **US D718,007 S**
(45) **Date of Patent:** **** Nov. 18, 2014**

(54) **DISC SPRAYER ASSEMBLY DISPOSED ON A WALL OF A DISHWASHER**

(75) Inventors: **Mark W. Baldwin**, Saint Joseph, MI (US); **Mike S. Hemry**, Stevensville, MI (US); **Barry E. Tuller**, Stevensville, MI (US); **Ameresh B. Viswanathan**, Saint Joseph, MI (US)

(73) Assignee: **Whirlpool Corporation**, Benton Harbor, MI (US)

(**) Term: **14 Years**

(21) Appl. No.: **29/431,644**

(22) Filed: **Sep. 10, 2012**

(51) **LOC (10) Cl.** **15-05**

(52) **U.S. Cl.**
USPC **D32/3**

(58) **Field of Classification Search**
USPC D32/1-3, 25; D23/213, 218, 221;
134/56 D, 56 R, 57 D, 58 R, 88, 94.1,
134/95.3, 172, 176-179, 198, 200;
239/227, 243, 256

See application file for complete search history.

(56) **References Cited**

U.S. PATENT DOCUMENTS

2,726,666 A 12/1955 Oxford
3,064,664 A 11/1962 Warhus

(Continued)

FOREIGN PATENT DOCUMENTS

EP 0524102 B1 4/1997
EP 1277430 A1 1/2003

(Continued)

Primary Examiner — T. Chase Nelson

(57) **CLAIM**

The ornamental design for a disc sprayer assembly disposed on a wall of a dishwasher, as shown and described.

DESCRIPTION

FIG. 1 is a perspective view of a first embodiment of a disc sprayer assembly for a dishwasher disposed on a wall of a dishwasher showing our new design;

FIG. 2 is a perspective view thereof showing the disc sprayer assembly for a dishwasher disposed on a wall of a drawer-type dishwasher;

FIG. 3 is an enlarged top view of the disc sprayer assembly for a dishwasher disposed on a wall of a dishwasher;

FIG. 4 is an enlarged side view thereof;

FIG. 5 is a perspective view of a second embodiment of a disc sprayer assembly for a dishwasher disposed on a wall of a dishwasher;

FIG. 6 is a perspective view thereof showing the disc sprayer assembly for a dishwasher disposed on a wall of a drawer-type dishwasher;

FIG. 7 is an enlarged top view of the disc sprayer assembly for a dishwasher disposed on a wall of a dishwasher;

FIG. 8 is an enlarged side view thereof;

FIG. 9 is a perspective view of a third embodiment of a disc sprayer assembly for a dishwasher disposed on a wall of a dishwasher;

FIG. 10 is a perspective view thereof showing the disc sprayer assembly for a dishwasher disposed on a wall of a drawer-type dishwasher;

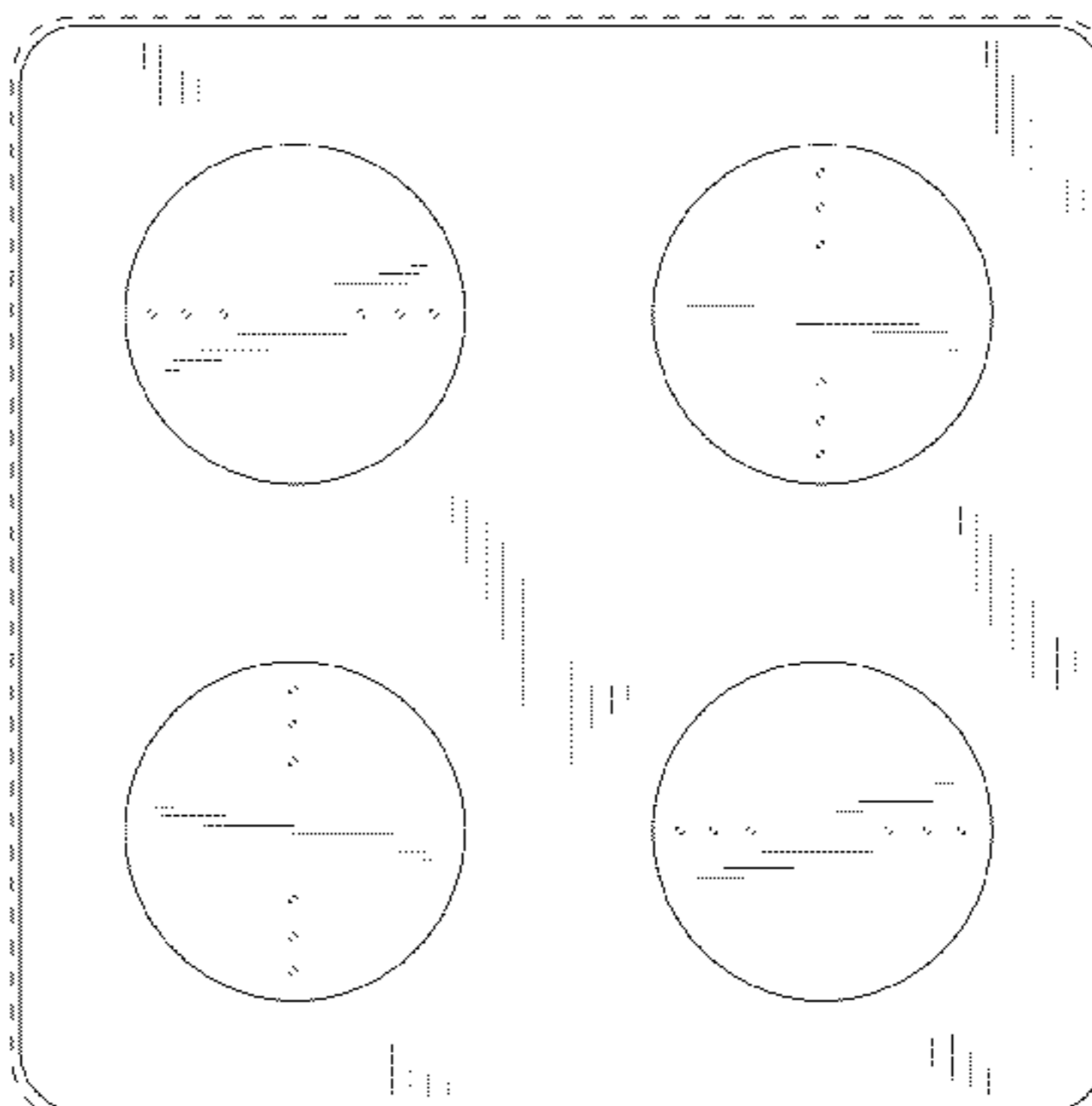
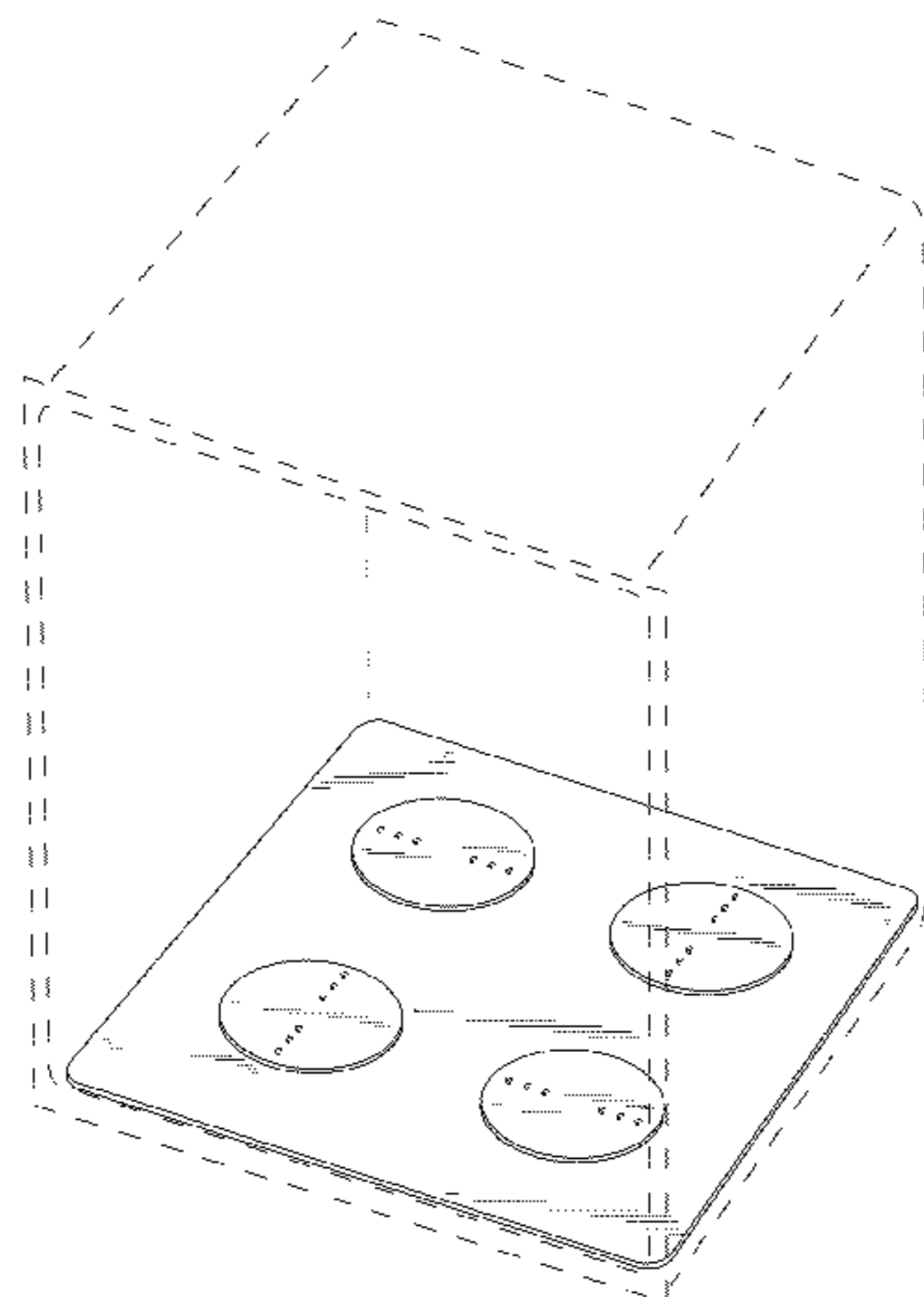
FIG. 11 is an enlarged top view of a disc sprayer assembly for a dishwasher disposed on a wall of a dishwasher; and,

FIG. 12 is an enlarged side view thereof.

The broken line showing of a dishwasher housing and of spray outlets in the disc sprayer assembly in FIGS. 1-12 are included for illustrative purposes only and form no part of the claimed design.

The drafting symbols in FIGS. 5-12 represent the use of a spray or silver color for the dish sprayer assembly and wall of the dishwasher. FIGS. 7-8 and 11-12 are drawn in a larger scale to clearly show the differences in the ornamental features of the disc sprayer assembly and the wall of the dishwasher.

1 Claim, 6 Drawing Sheets



(56)

References Cited

U.S. PATENT DOCUMENTS

3,310,243 A 3/1967 Duncan et al.
 3,344,836 A * 10/1967 Kopczynski 159/3
 3,496,949 A * 2/1970 Mercer 134/179
 3,709,236 A 1/1973 Field et al.
 3,771,725 A * 11/1973 Jenkins et al. 239/243
 4,712,738 A * 12/1987 Gill 239/74
 5,331,986 A 7/1994 Lim et al.
 5,427,129 A 6/1995 Young, Jr. et al.
 5,546,968 A 8/1996 Jeon et al.
 5,579,789 A * 12/1996 Spiegel 134/104.1
 5,601,100 A 2/1997 Kawakami et al.
 5,673,714 A 10/1997 Campagnolo et al.
 5,704,380 A * 1/1998 Zelniker et al. 134/95.3
 6,053,185 A 4/2000 Beevers
 D440,276 S * 4/2001 Slothower D23/213
 6,550,693 B2 * 4/2003 Lohkamp 239/223
 D533,200 S * 12/2006 Braunschweig et al. D15/126
 7,150,414 B2 * 12/2006 Goldin 239/223
 D538,313 S * 3/2007 Braunschweig et al. D15/126
 7,331,356 B2 2/2008 VanderRoest et al.
 7,445,013 B2 11/2008 VanderRoest et al.

7,475,696 B2 1/2009 Vanderroest et al.
 7,523,758 B2 4/2009 Vanderroest et al.
 7,594,513 B2 9/2009 VanderRoest et al.
 7,810,512 B2 10/2010 Pyo et al.
 D643,509 S * 8/2011 O'Brien et al. D23/213
 8,137,479 B2 3/2012 Vanderroest et al.
 D658,270 S * 4/2012 O'Brien et al. D23/213
 8,187,390 B2 5/2012 Vanderroest et al.
 8,444,064 B2 * 5/2013 Bulling et al. 239/222.11
 2009/0101182 A1 4/2009 Buesing et al.
 2010/0326478 A1 * 12/2010 Pyo et al. 134/94.1
 2011/0030742 A1 2/2011 Dalsing et al.

FOREIGN PATENT DOCUMENTS

EP 0943281 B1 9/2006
 JP 5184514 A 7/1993
 JP 9164107 A 6/1997
 JP 10243910 A 9/1998
 JP 11076127 A 3/1999
 JP 2004113683 A 4/2004
 KR 20060029567 A 4/2006

* cited by examiner

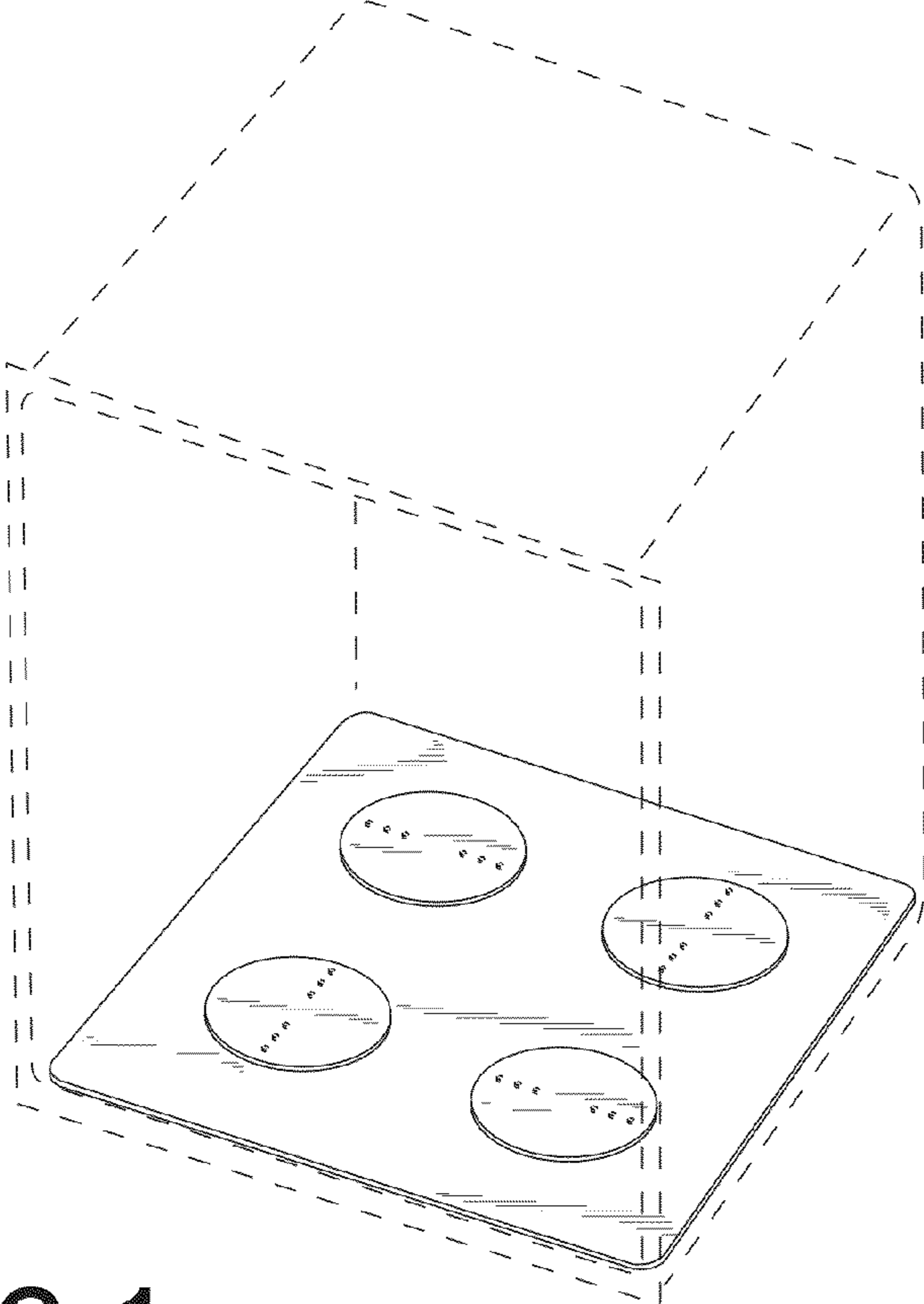


FIG. 1

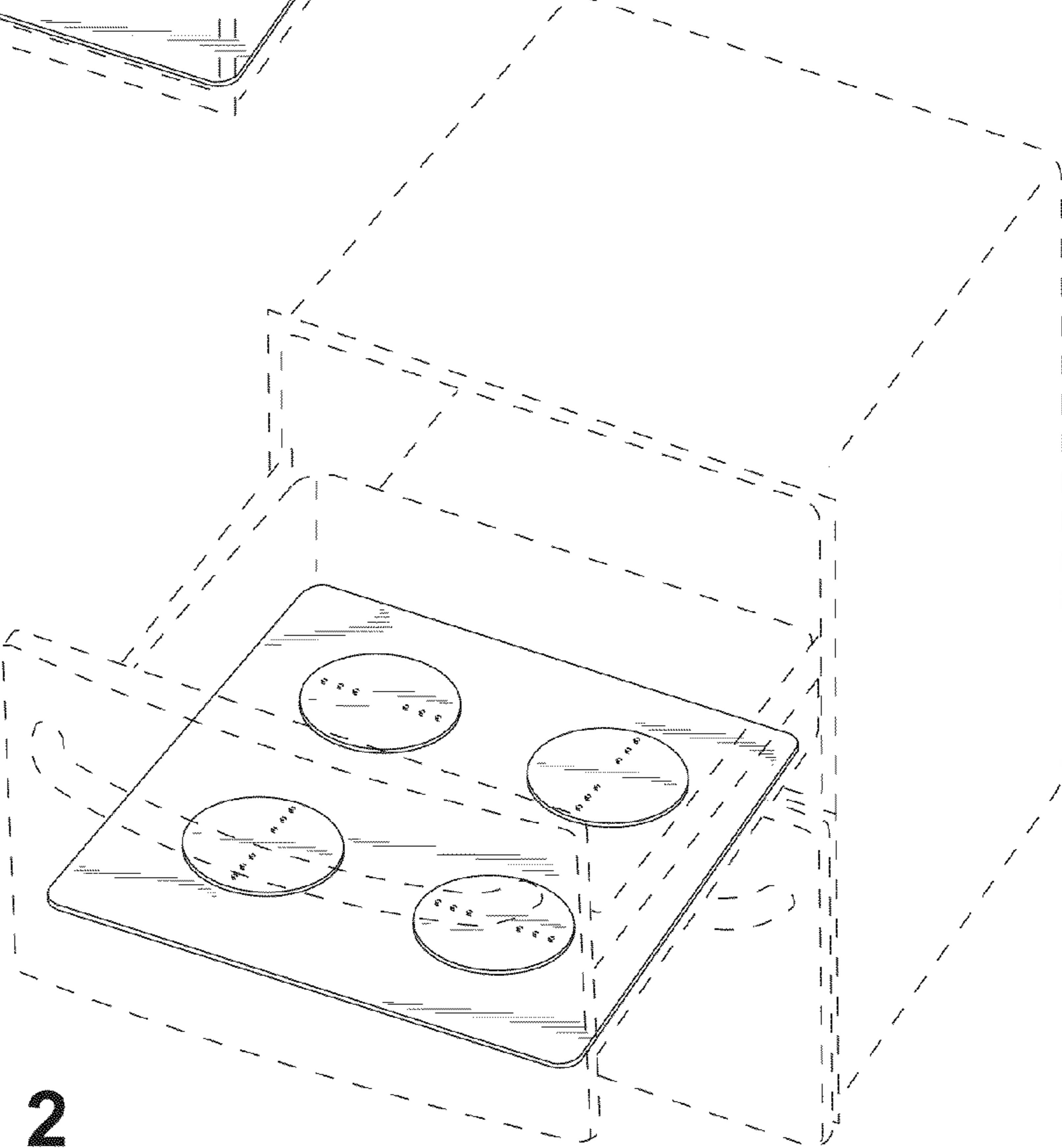


FIG. 2

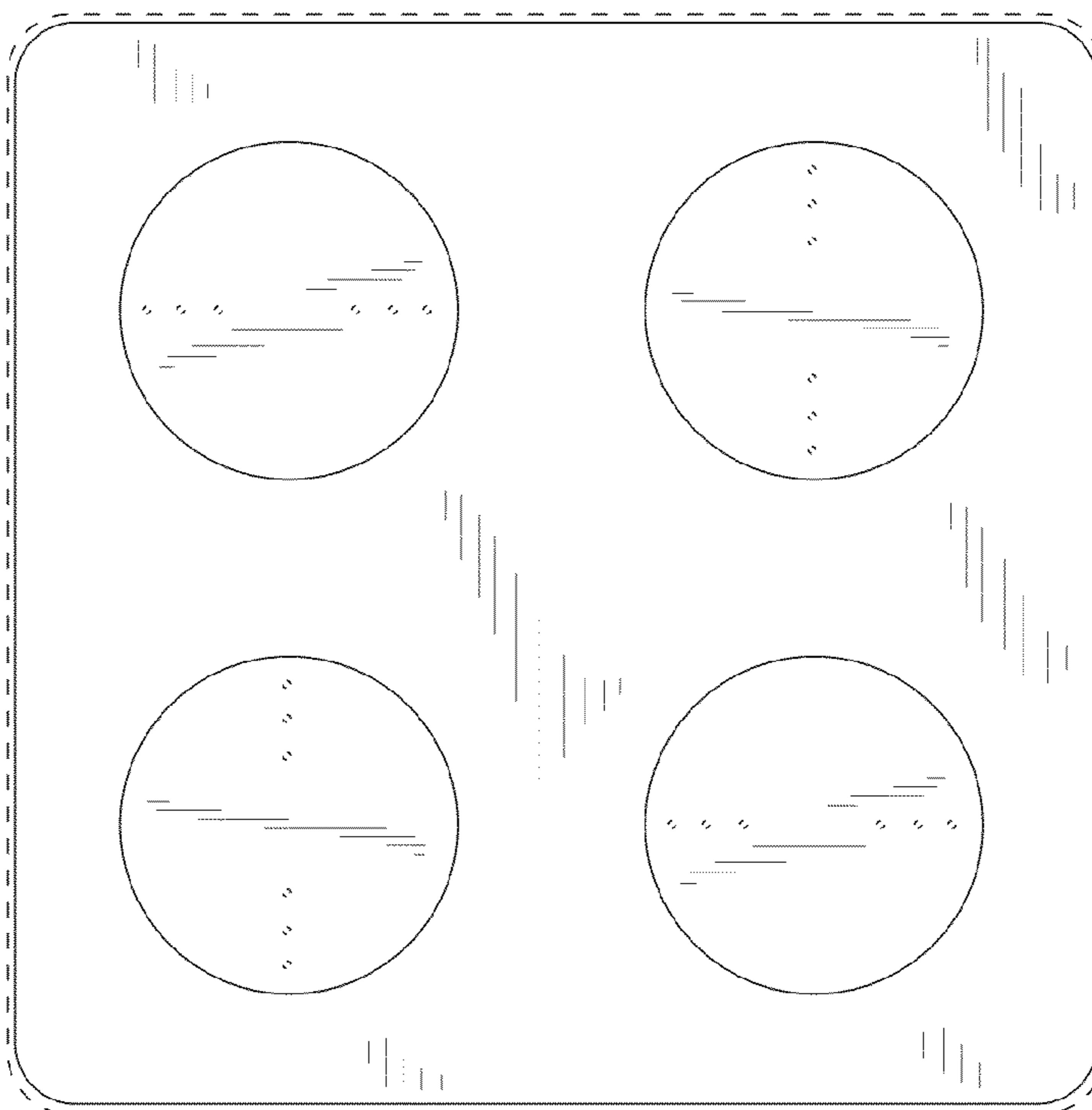


FIG. 3

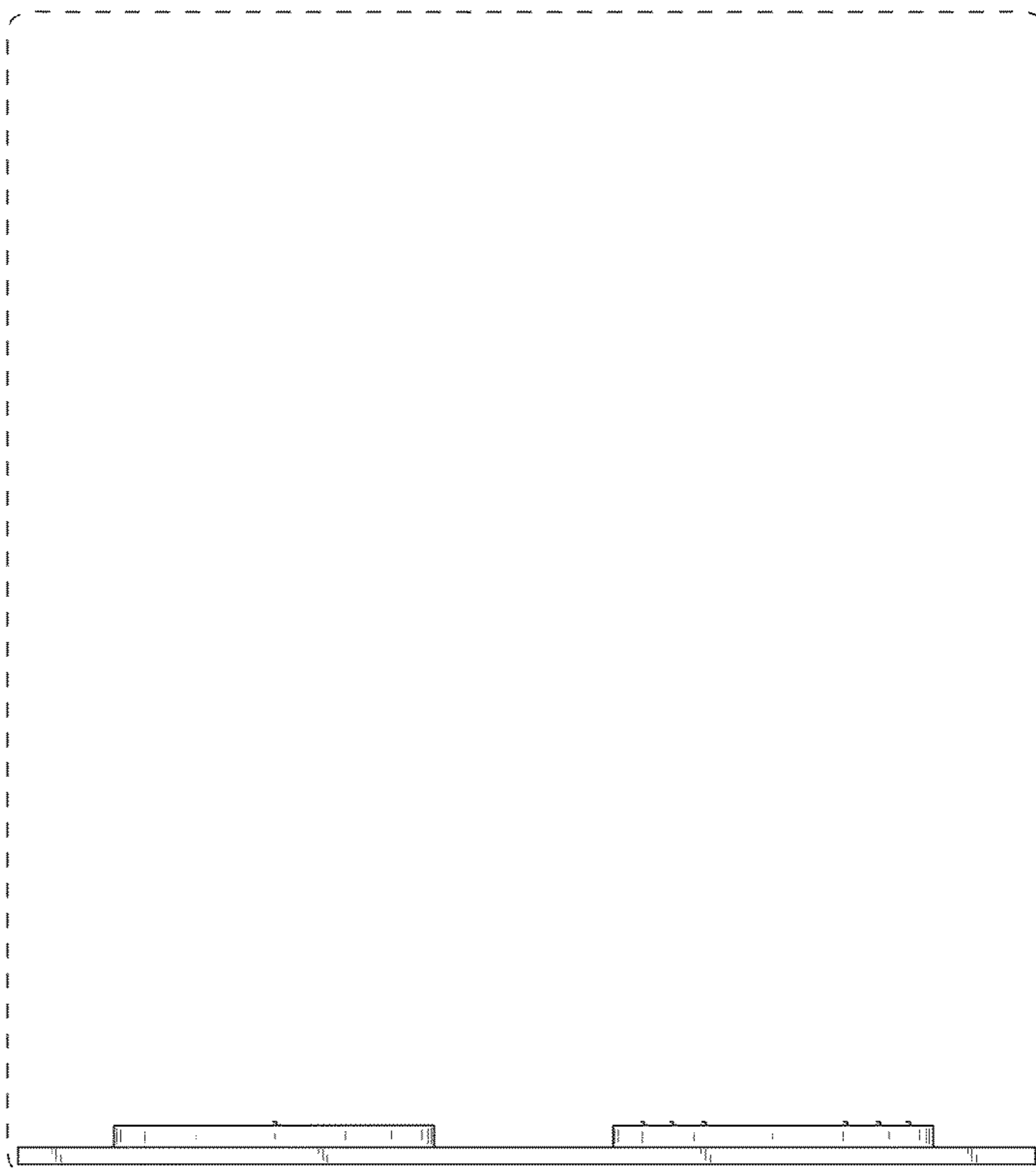


FIG. 4

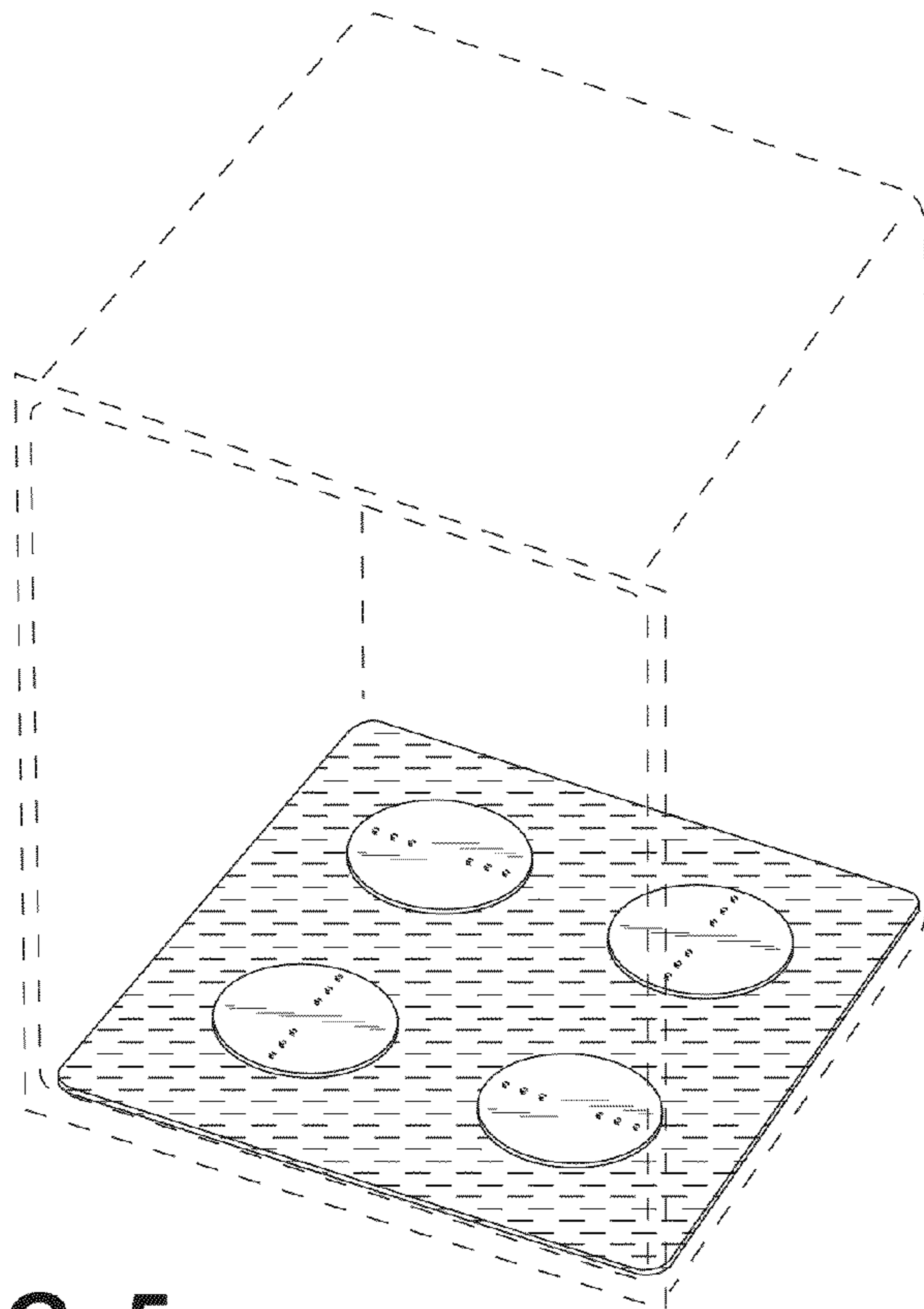


FIG. 5

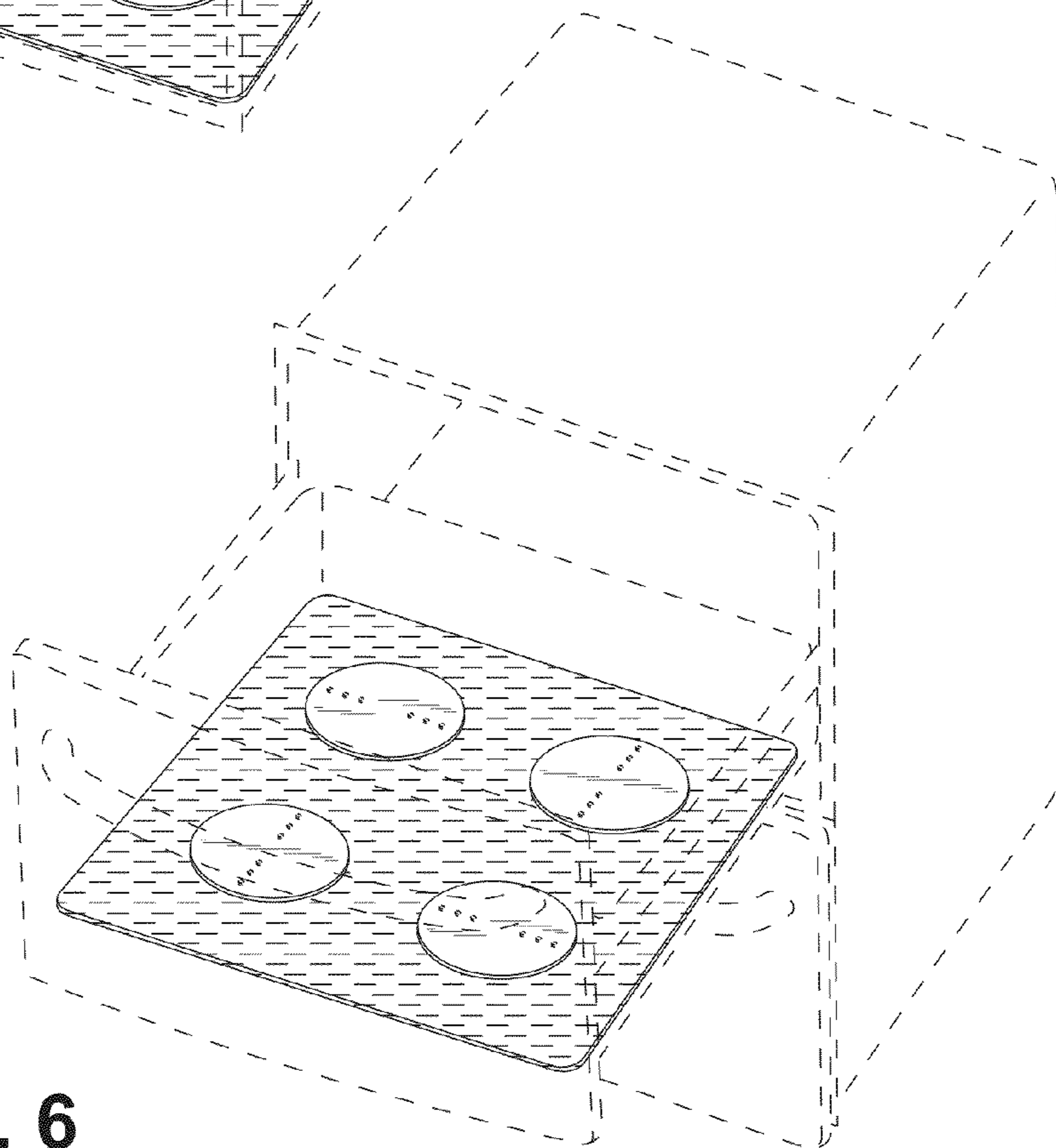


FIG. 6

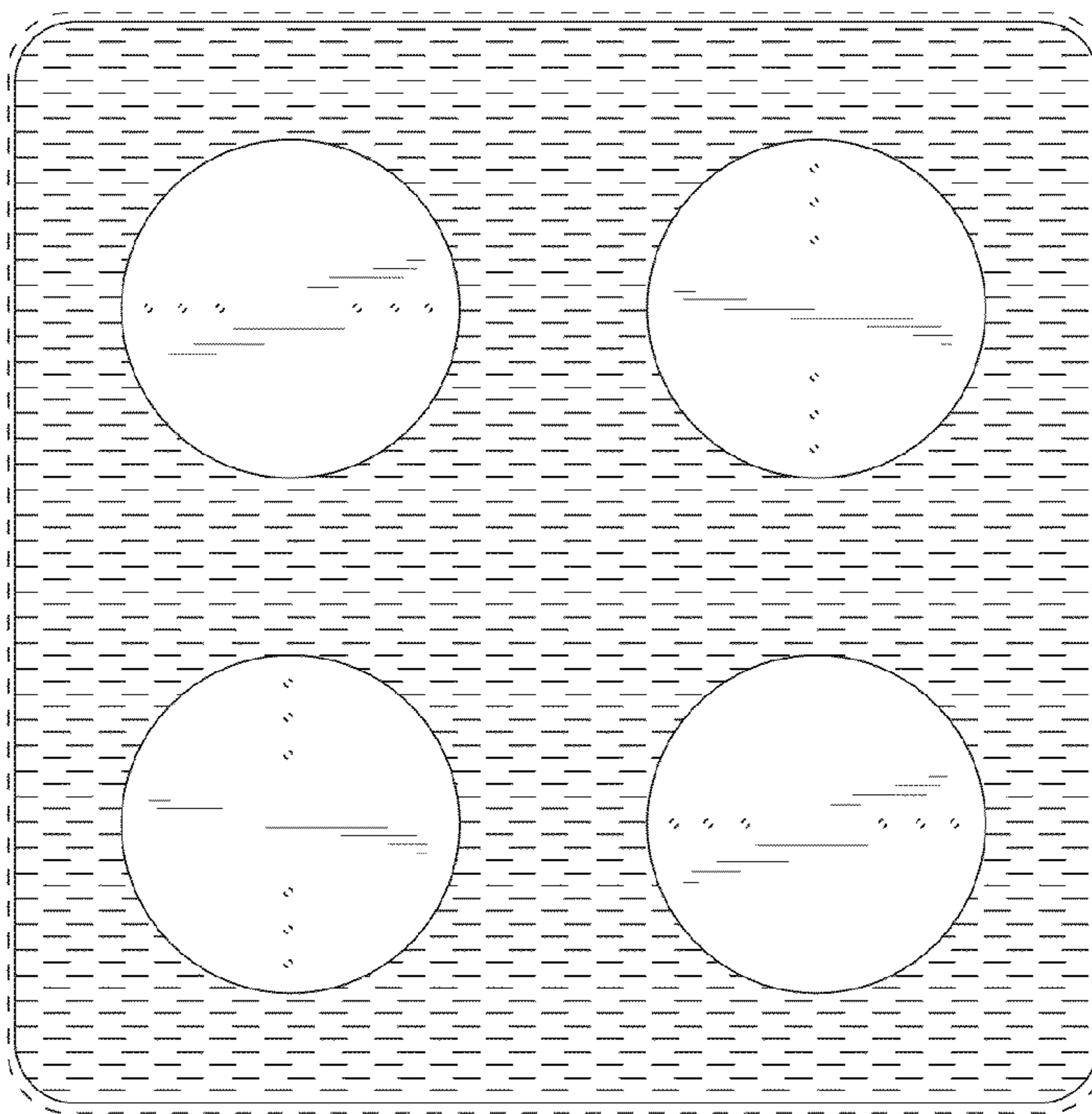


FIG. 7



FIG. 8

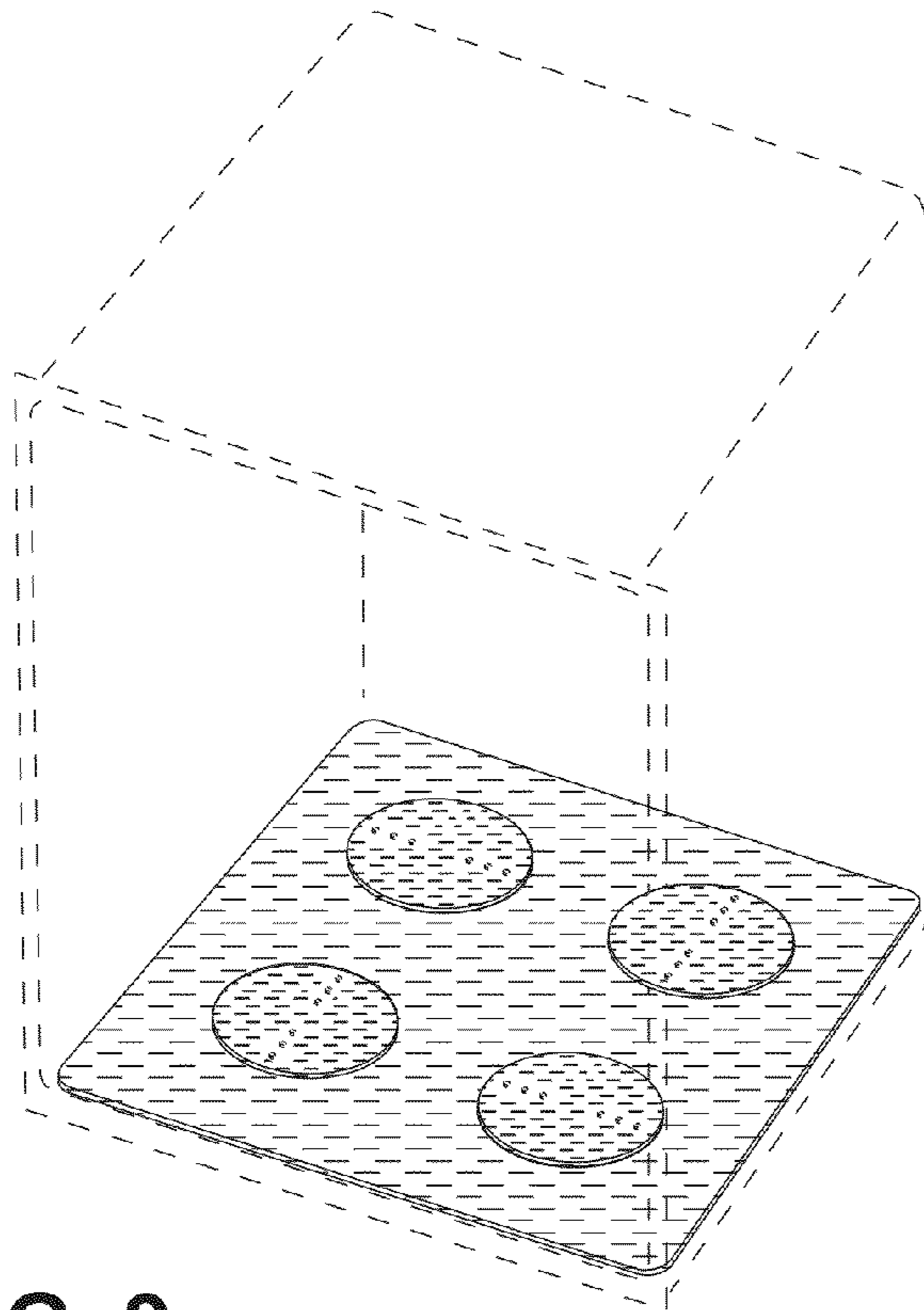


FIG. 9

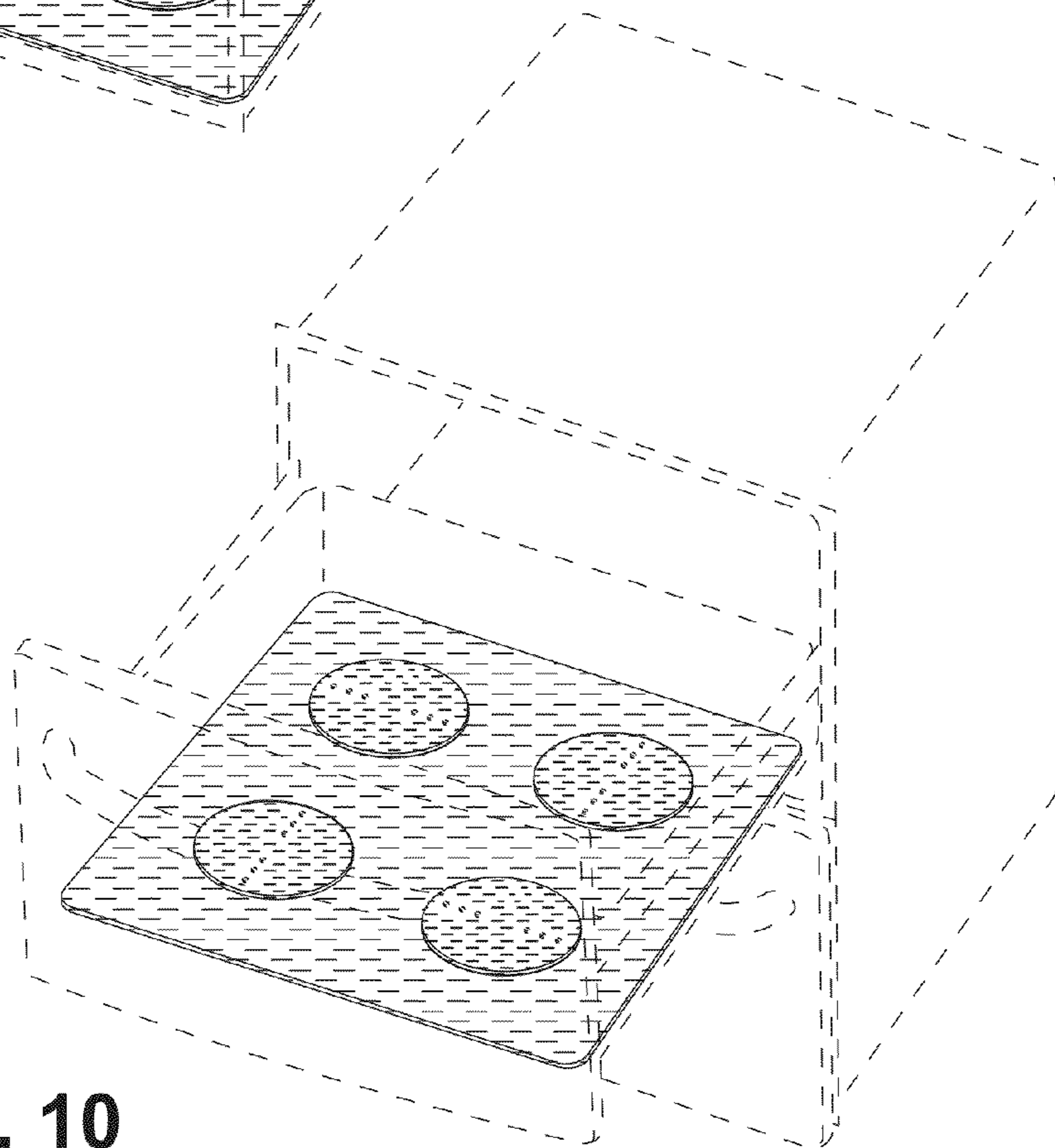


FIG. 10

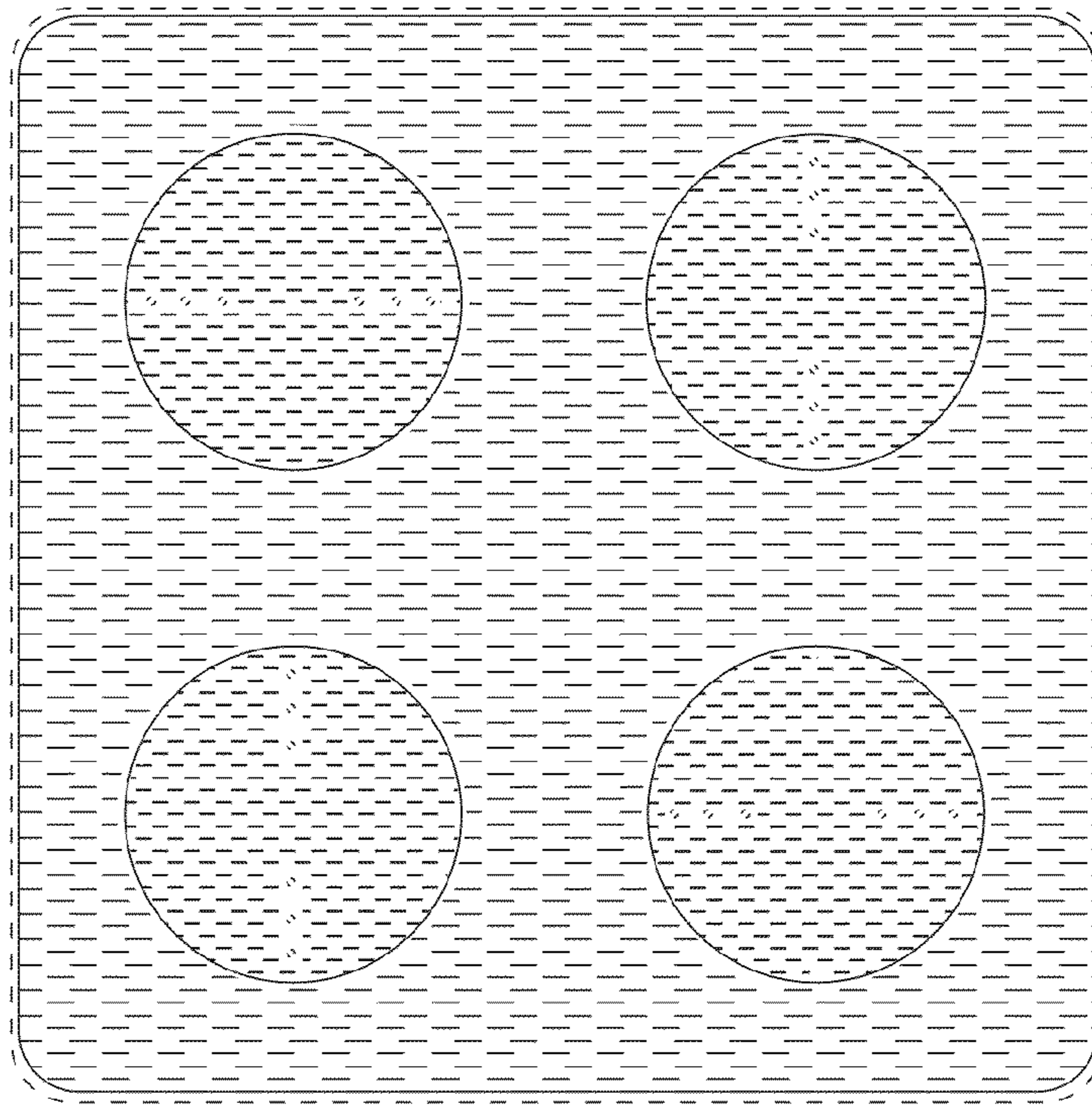


FIG. 11

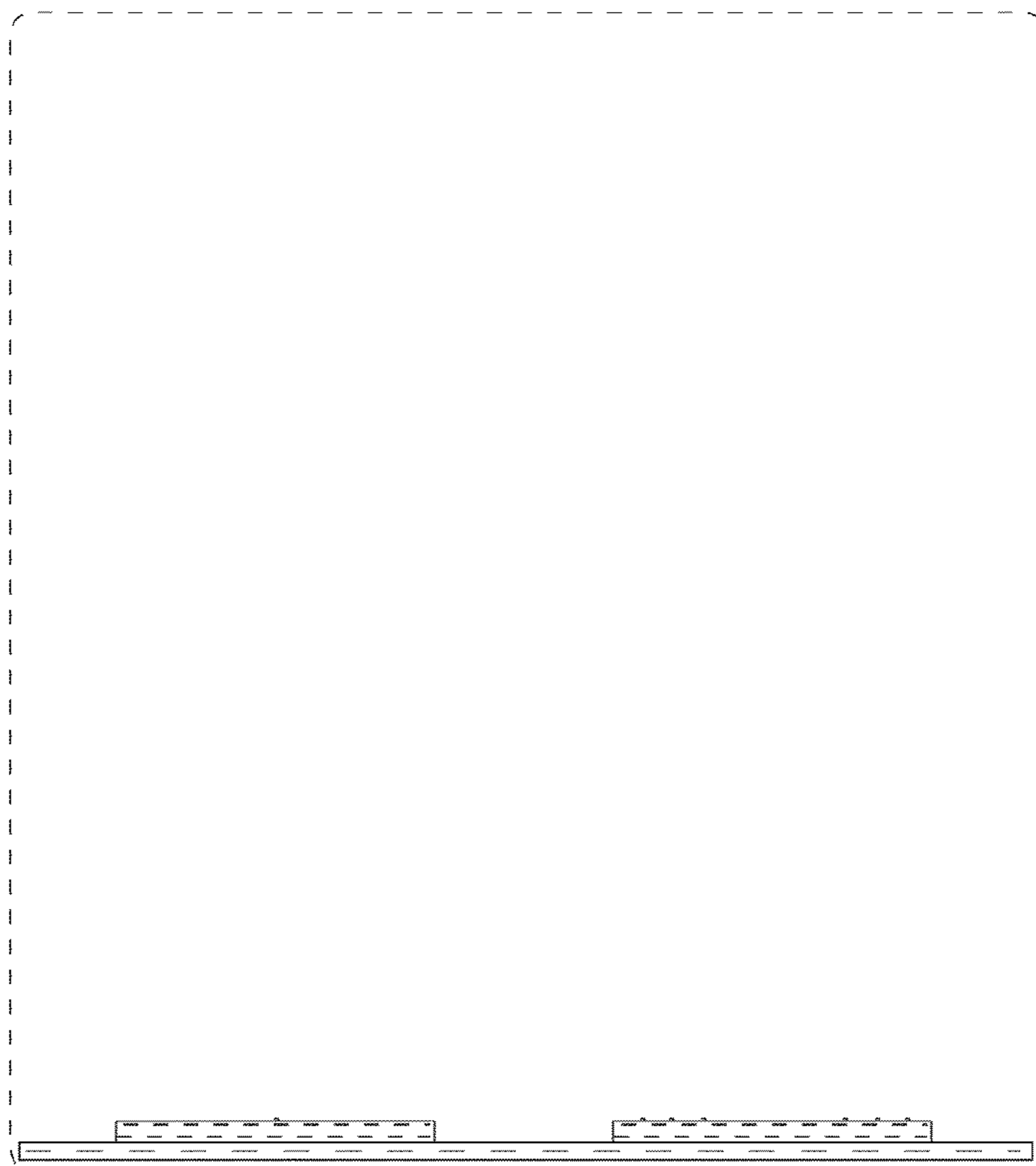


FIG. 12