



US00D718004S

(12) **United States Design Patent**  
**Stovall**

(10) **Patent No.:** **US D718,004 S**

(45) **Date of Patent:** **\*\* Nov. 18, 2014**

(54) **PET BOWL WITH A CONTOURED BOTTOM**

(71) Applicant: **Robert M. Stovall**, South Holland, IL  
(US)

(72) Inventor: **Robert M. Stovall**, South Holland, IL  
(US)

(\*\*) Term: **14 Years**

(21) Appl. No.: **29/457,851**

(22) Filed: **Jun. 13, 2013**

(51) **LOC (10) Cl.** ..... **30-03**

(52) **U.S. Cl.**  
USPC ..... **D30/129**

(58) **Field of Classification Search**

USPC ..... D30/121, 122, 129-133; 119/61.5,  
119/51.01, 61.56, 51.03, 59, 62, 63, 51.5,  
119/57.8, 74, 61.54, 61.55; 312/204;  
248/151, 188; 108/156, 153.1-157;  
220/23.87, 630, 737, 743, 9.4, 495.01,  
220/574, 212, 255, 23.83; 206/515;  
D7/586, 543, 550.1, 587, 505, 584,  
D7/545, 500, 553.1-553.8, 546, 555, 556,  
D7/504, 565, 562, 602; D9/429; 43/109;  
D22/122; 99/430, DIG. 15

See application file for complete search history.

(56) **References Cited**

**U.S. PATENT DOCUMENTS**

766,427 A 8/1904 Crowell  
D56,761 S \* 12/1920 Miller ..... D30/129  
D158,159 S \* 4/1950 Verlod ..... D27/115  
2,928,372 A \* 3/1960 Farley ..... 119/61.54  
3,014,616 A \* 12/1961 Kavanaugh et al. .... 206/509  
3,100,054 A 8/1963 Rubens  
D200,464 S \* 3/1965 Sachnoff et al. .... D30/129  
3,498,268 A \* 3/1970 Langevin et al. .... 119/61.54  
3,611,998 A \* 10/1971 Loscalzo ..... 119/61.54  
D244,948 S \* 7/1977 Foley et al. .... D30/130  
4,270,490 A \* 6/1981 Kopp ..... 119/61.5

4,351,444 A \* 9/1982 Majewski ..... 220/575  
D279,445 S \* 7/1985 Jagger ..... D7/558  
D313,486 S \* 1/1991 Conner ..... D30/129  
D313,487 S \* 1/1991 Conner ..... D30/129  
5,172,826 A 12/1992 Celaya  
5,341,953 A \* 8/1994 Forester ..... 220/575  
D390,419 S \* 2/1998 Perlmutter et al. .... D7/555  
D409,448 S \* 5/1999 Hudson et al. .... D7/543  
D413,044 S \* 8/1999 Zappolo ..... D7/587  
D423,732 S \* 4/2000 McGee ..... D30/129  
6,125,790 A 10/2000 Breedwell

(Continued)

**OTHER PUBLICATIONS**

<http://www.wag.com/cat/p/indipets-extra-heavy-stainless-steel-non-tip-bowl-with-raised-back-small-182173> Published Sep. 26, 2011.

(Continued)

*Primary Examiner* — Susan Moon Lee

(74) *Attorney, Agent, or Firm* — Robert C. Montgomery;  
Montgomery Patent & Design

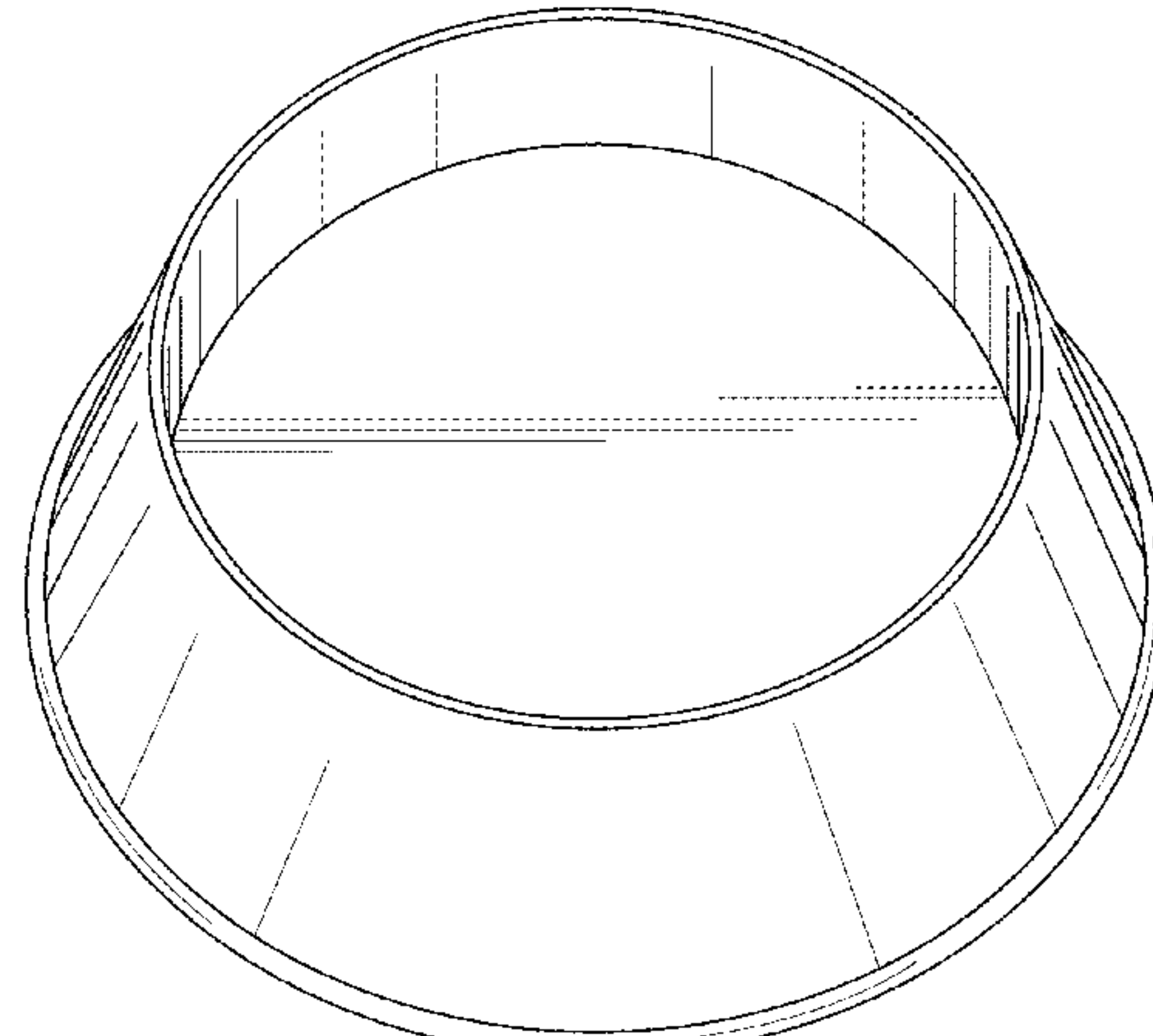
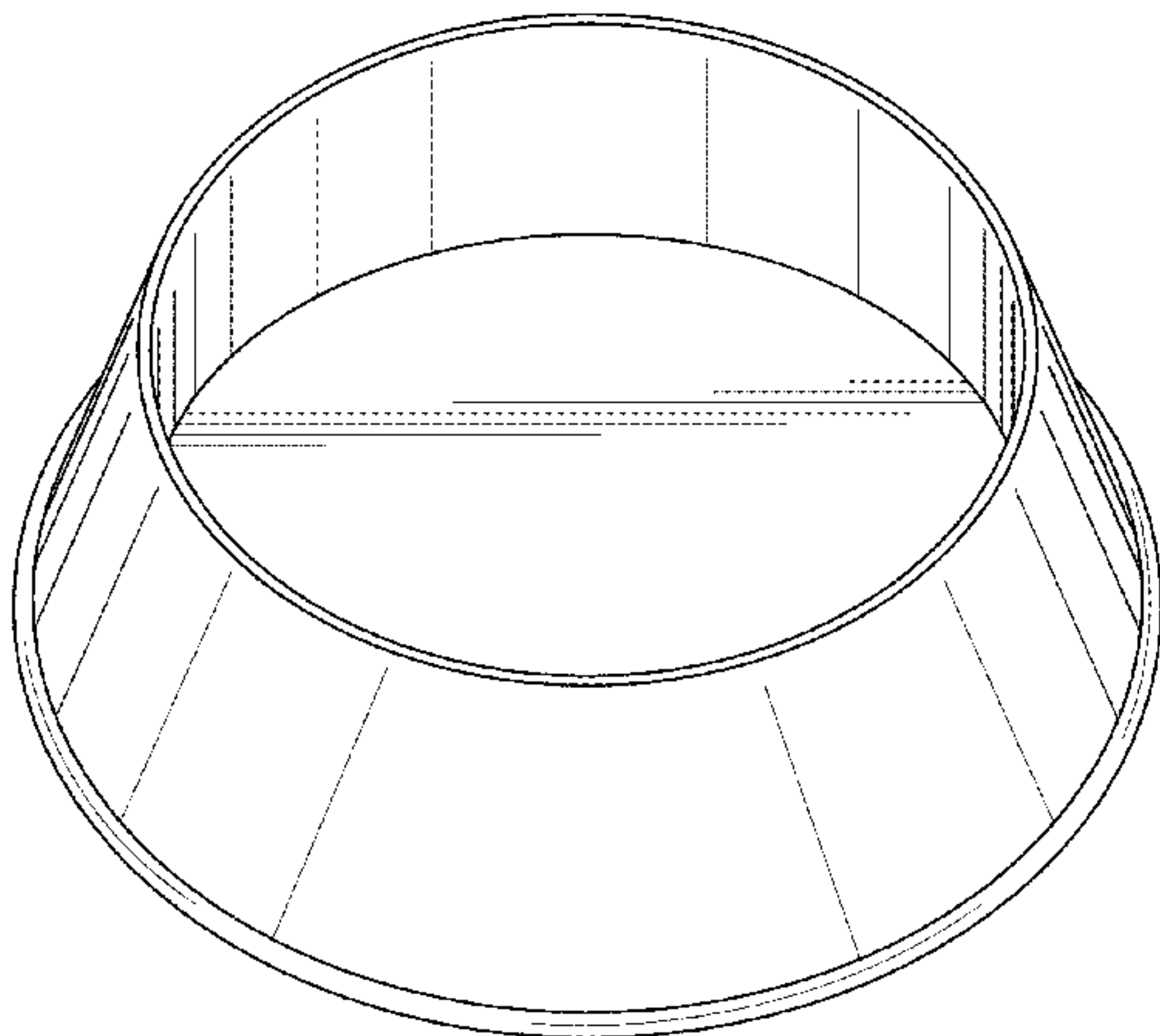
(57) **CLAIM**

The ornamental design for a pet bowl with a contoured bottom, as shown and described.

**DESCRIPTION**

FIG. 1 is an isometric view of a pet bowl with a contoured bottom showing deeper end of the bowl;  
FIG. 2 is an isometric view of a pet bowl with a contoured bottom showing a shallow end of the bowl;  
FIG. 3 is a front view of a pet bowl with a contoured bottom, wherein a rear view is a mirror image of the front view;  
FIG. 4 is a left side view thereof, the right side view being a mirror image thereof;  
FIG. 5 is a top view thereof; and,  
FIG. 6 is a bottom view thereof; and,  
FIG. 7 is a cut-away view of the pet bowl with a contoured bottom.

**1 Claim, 7 Drawing Sheets**



(56)

References Cited

U.S. PATENT DOCUMENTS

D442,831 S \* 5/2001 Jacobs ..... D7/584  
 D443,395 S \* 6/2001 Suns ..... D30/129  
 D467,044 S \* 12/2002 Tangolics ..... D30/129  
 D467,125 S \* 12/2002 Orr et al. .... D7/541  
 D473,758 S \* 4/2003 Wilson ..... D7/587  
 6,688,485 B1 2/2004 Lauer et al.  
 D488,673 S \* 4/2004 Farce ..... D7/523  
 D498,564 S \* 11/2004 Northrop et al. .... D30/121  
 D504,196 S \* 4/2005 Huthmaker et al. .... D30/129  
 6,912,970 B2 \* 7/2005 Sage, Jr. .... 119/61.5  
 D545,630 S \* 7/2007 Serra ..... D7/560  
 D564,843 S \* 3/2008 Frank ..... D7/566  
 7,387,082 B1 \* 6/2008 Fried ..... 119/61.5  
 D592,813 S \* 5/2009 Newsome et al. .... D30/129  
 D600,861 S \* 9/2009 Sin ..... D30/129  
 D600,862 S \* 9/2009 Sin ..... D30/129  
 7,637,388 B2 \* 12/2009 Schantz et al. .... 220/574.1  
 D607,616 S \* 1/2010 Newsome et al. .... D30/129

7,878,148 B2 2/2011 Swenson et al.  
 8,002,140 B2 \* 8/2011 Schantz et al. .... 220/574.1  
 D646,852 S \* 10/2011 Chance et al. .... D30/129  
 D656,793 S \* 4/2012 Mastroianni ..... D7/587  
 D659,296 S \* 5/2012 Anderson ..... D30/129  
 D670,450 S \* 11/2012 Graves et al. .... D30/129  
 8,342,128 B2 1/2013 Rocker  
 8,490,823 B2 \* 7/2013 Sirota et al. .... 220/574.1  
 D706,995 S \* 6/2014 Modi et al. .... D30/129  
 2011/0253054 A1 \* 10/2011 Hargrove ..... 119/61.54  
 2011/0283946 A1 \* 11/2011 Fairbanks ..... 119/61.5  
 2012/0210941 A1 8/2012 Brown

OTHER PUBLICATIONS

[http://www.petsolutions.com/C/Small-Pet-Bottles-Feeders/I/Ergonomic-Ceramic-Dish.aspx?CAWELAID=1630118885&catargetid=1592863771&%22cagpspn=pla%22&gclid=CKuf-M\\_kr7UCFUgf4AodCUEAeg](http://www.petsolutions.com/C/Small-Pet-Bottles-Feeders/I/Ergonomic-Ceramic-Dish.aspx?CAWELAID=1630118885&catargetid=1592863771&%22cagpspn=pla%22&gclid=CKuf-M_kr7UCFUgf4AodCUEAeg) <http://www.moderndogmagazine.com/gallery/design-gone-dogs?gp=12> Published Jan. 5, 2011.

\* cited by examiner

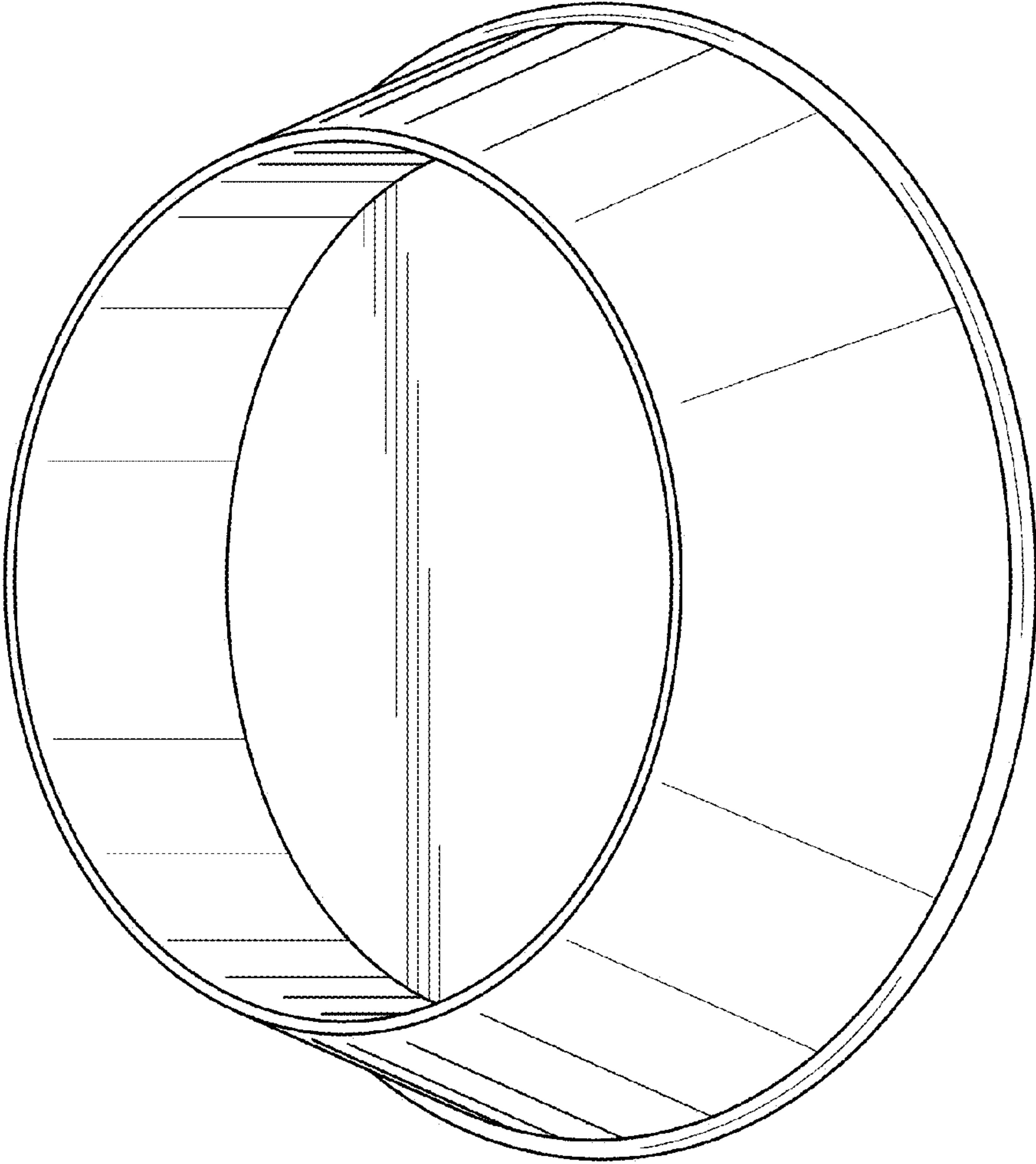


Fig. 1

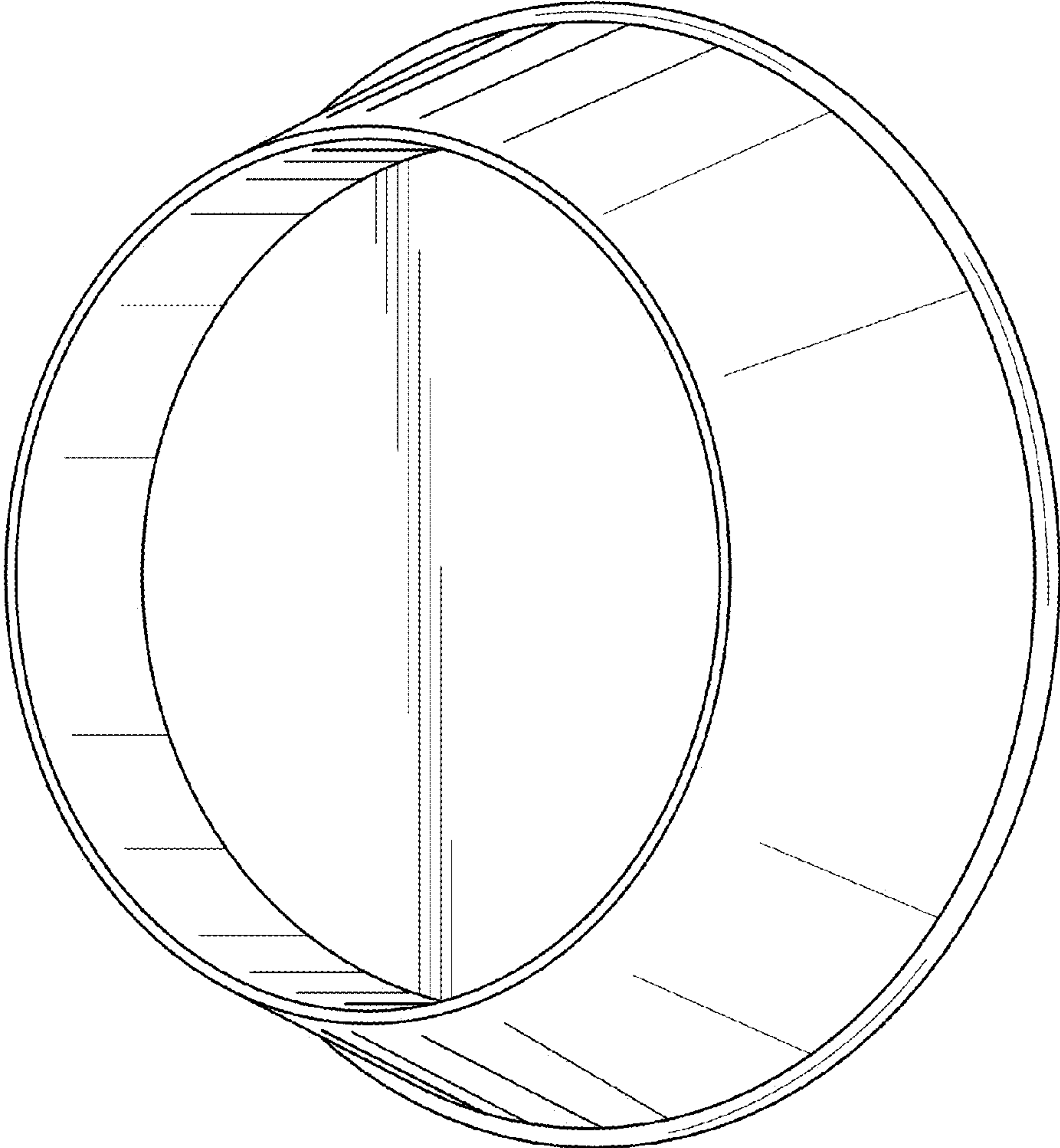


Fig. 2

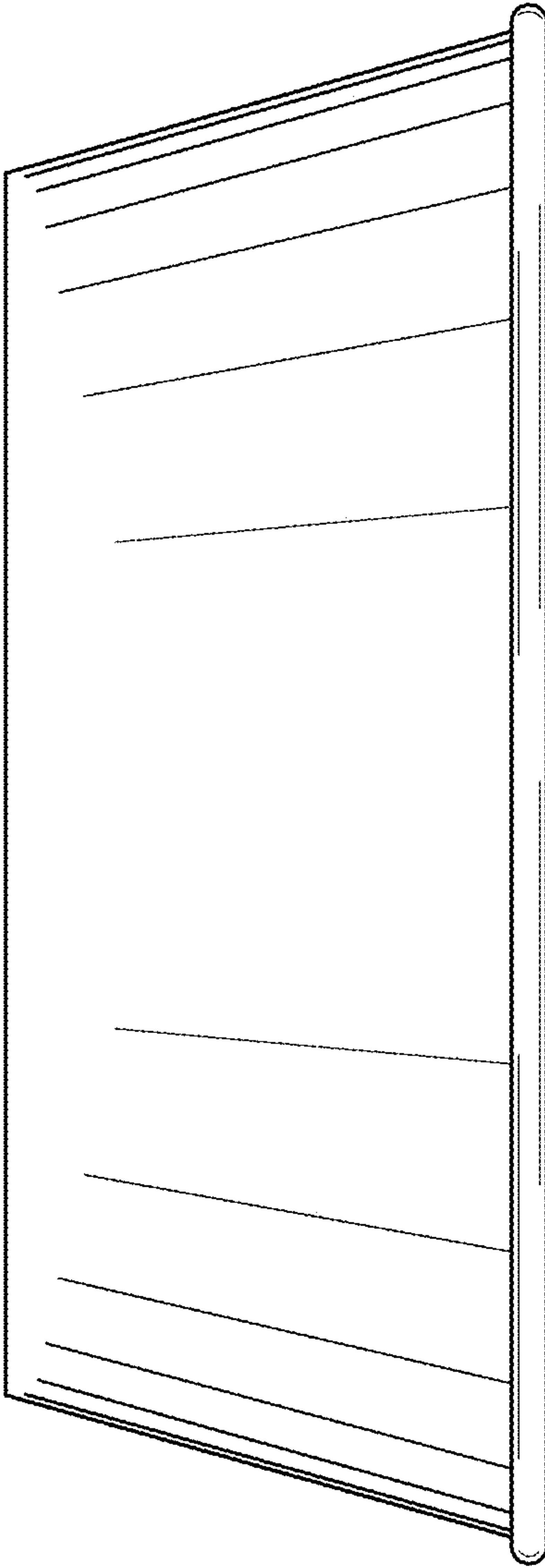


Fig. 3



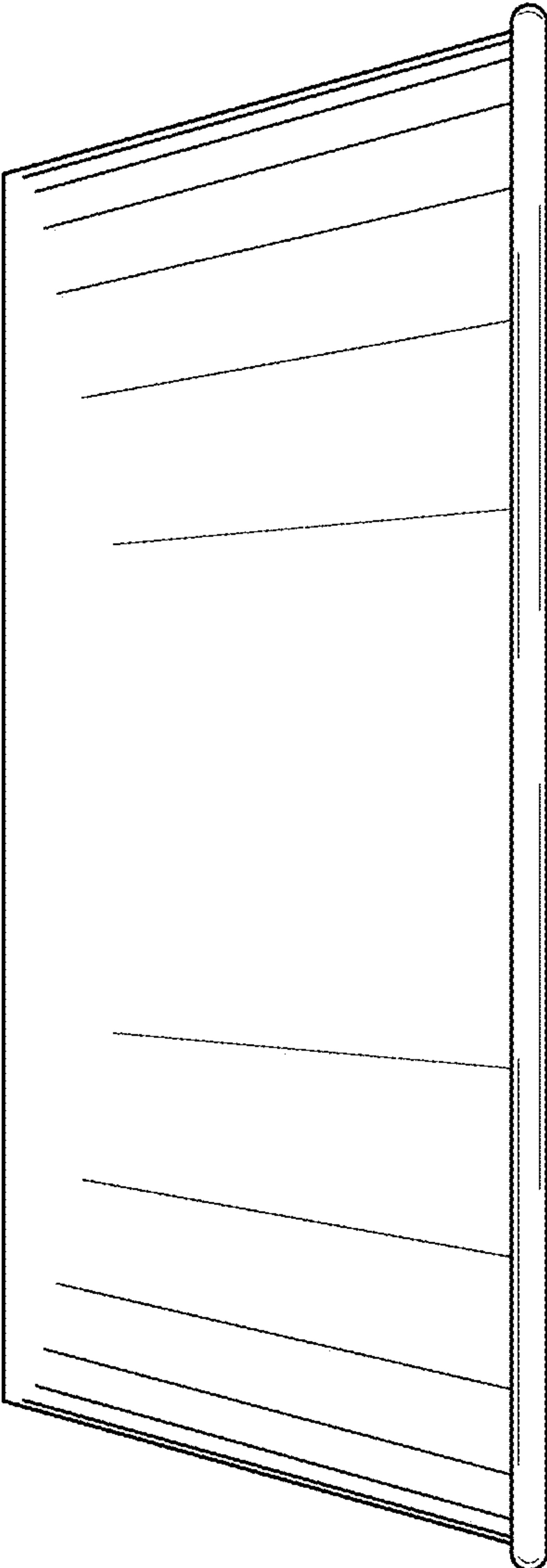


Fig. 4

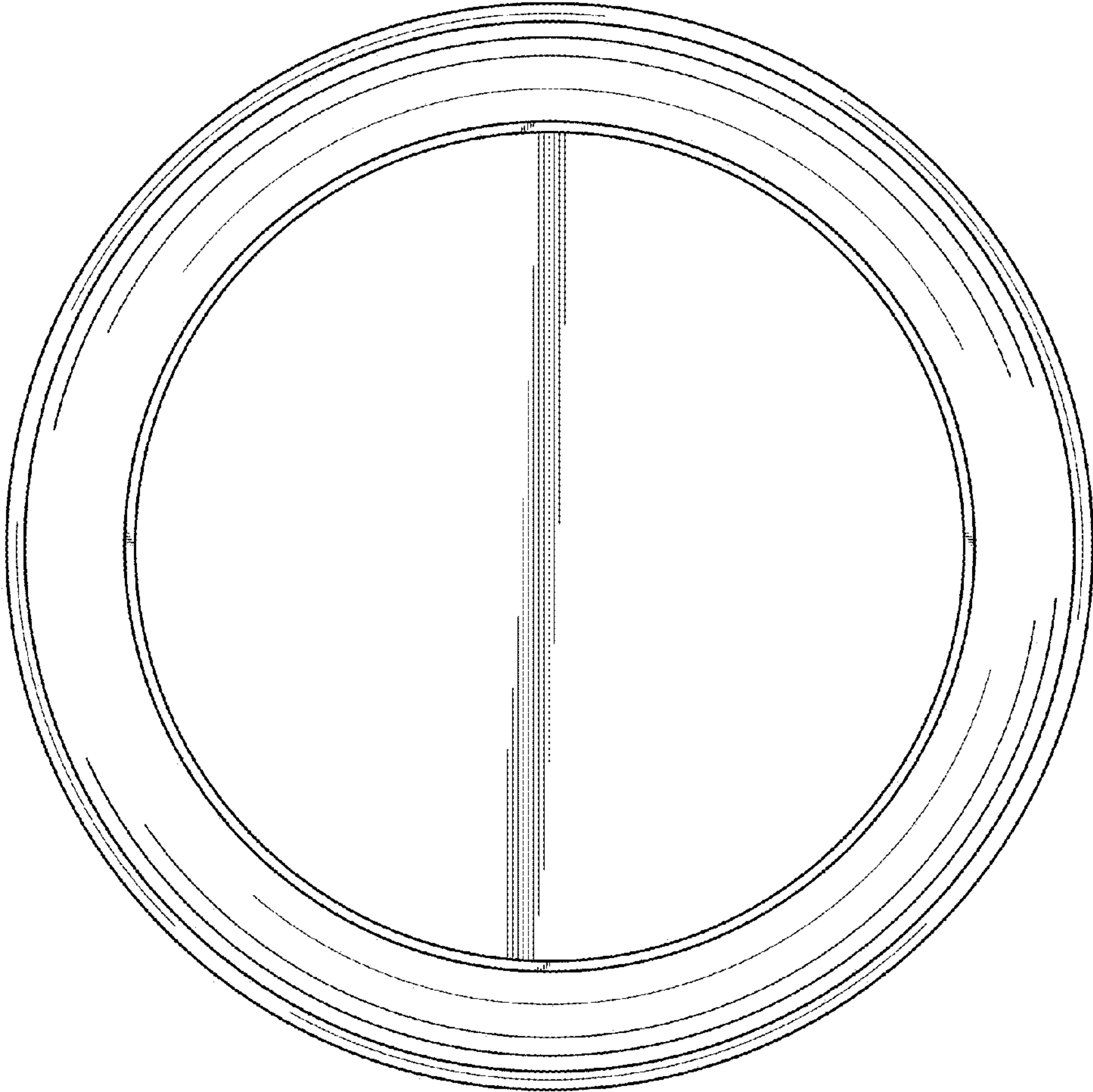


Fig. 5

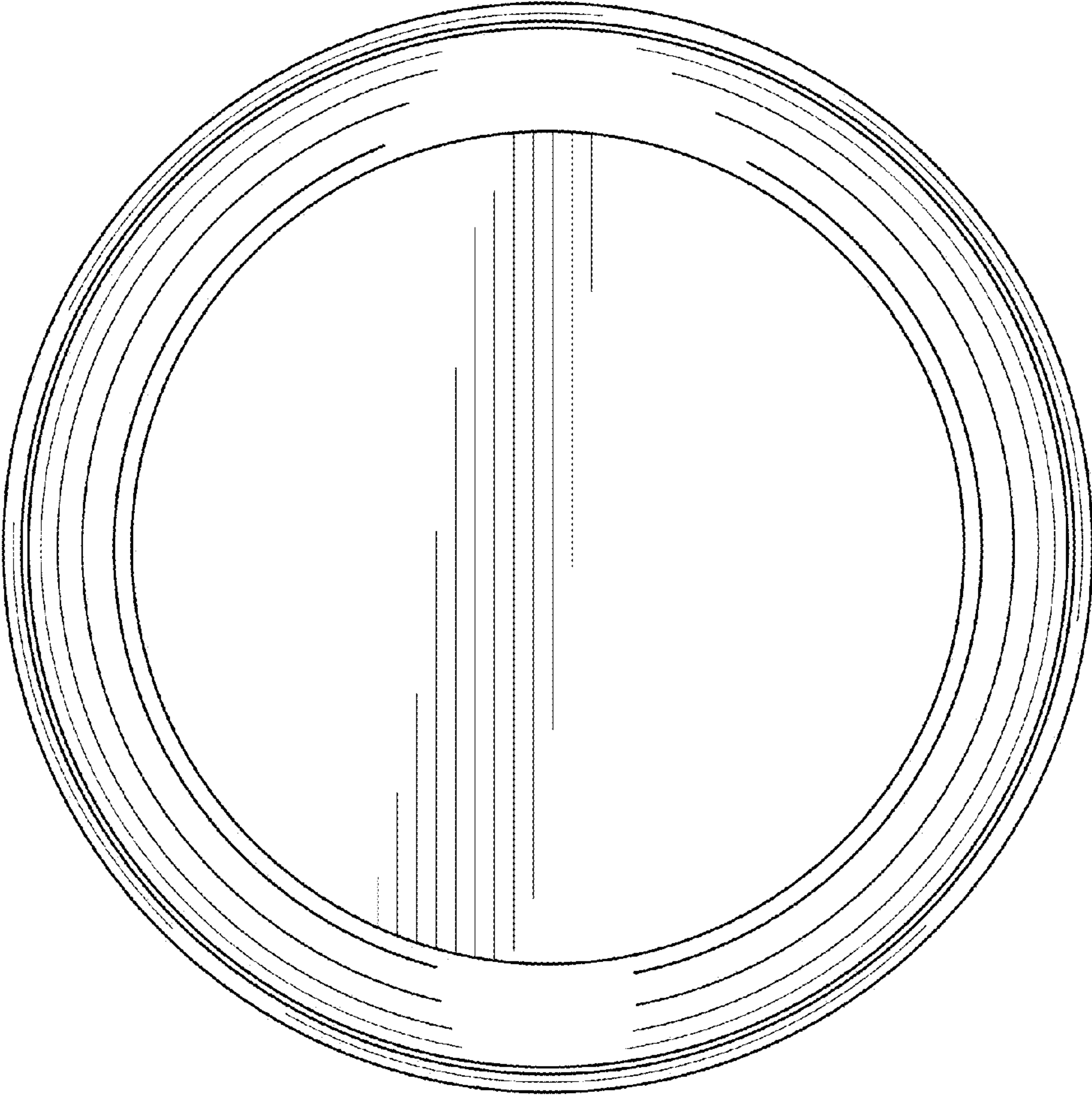


Fig. 6



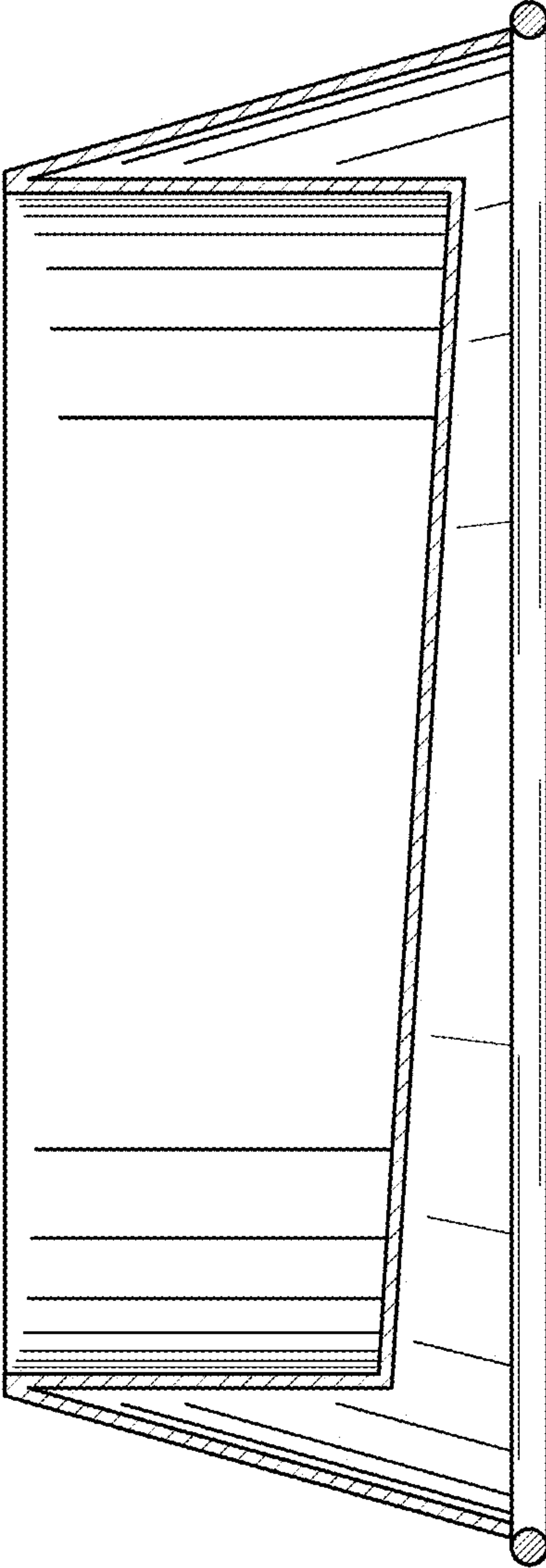


Fig. 7