



US00D717993S

(12) **United States Design Patent**
Platto et al.

(10) **Patent No.:** **US D717,993 S**
(45) **Date of Patent:** **** Nov. 18, 2014**

(54) **VEHICLE HEADLAMP FASCIA**

(71) Applicant: **Ford Motor Company**, Dearborn, MI (US)
(72) Inventors: **Gordon M. Platto**, Troy, MI (US); **Brad Alan Richards**, Bloomfield Hills, MI (US); **Dong Park**, Royal Oak, MI (US); **Jonathan Fontaine**, Royal Oak, MI (US)
(73) Assignee: **Ford Motor Company**, Dearborn, MI (US)

(**) Term: **14 Years**

(21) Appl. No.: **29/463,062**

(22) Filed: **Dec. 21, 2012**

(51) **LOC (10) Cl.** **26-99**

(52) **U.S. Cl.**
USPC **D26/139**

(58) **Field of Classification Search**
USPC D26/28-36, 139; 362/61, 80-83, 362/459-468, 475-478, 485-487
See application file for complete search history.

(56) **References Cited**

U.S. PATENT DOCUMENTS

D485,936 S	*	1/2004	Tsai	D26/139
D487,819 S	*	3/2004	Tsai	D26/139
D494,706 S	*	8/2004	Tsai	D26/139

OTHER PUBLICATIONS

Siler, Steve, <http://www.caranddriver.com/news/2011-ford-f-series-super-duty-official-photos-and-info>, 2011 Ford F-Series Super Duty, Sep. 2009, pp. 1-3.

* cited by examiner

Primary Examiner — Marcus Jackson

(74) *Attorney, Agent, or Firm* — Damian Porcari; Brooks Kushman P.C.

(57) **CLAIM**

The ornamental design for a vehicle headlamp fascia, as shown and described.

DESCRIPTION

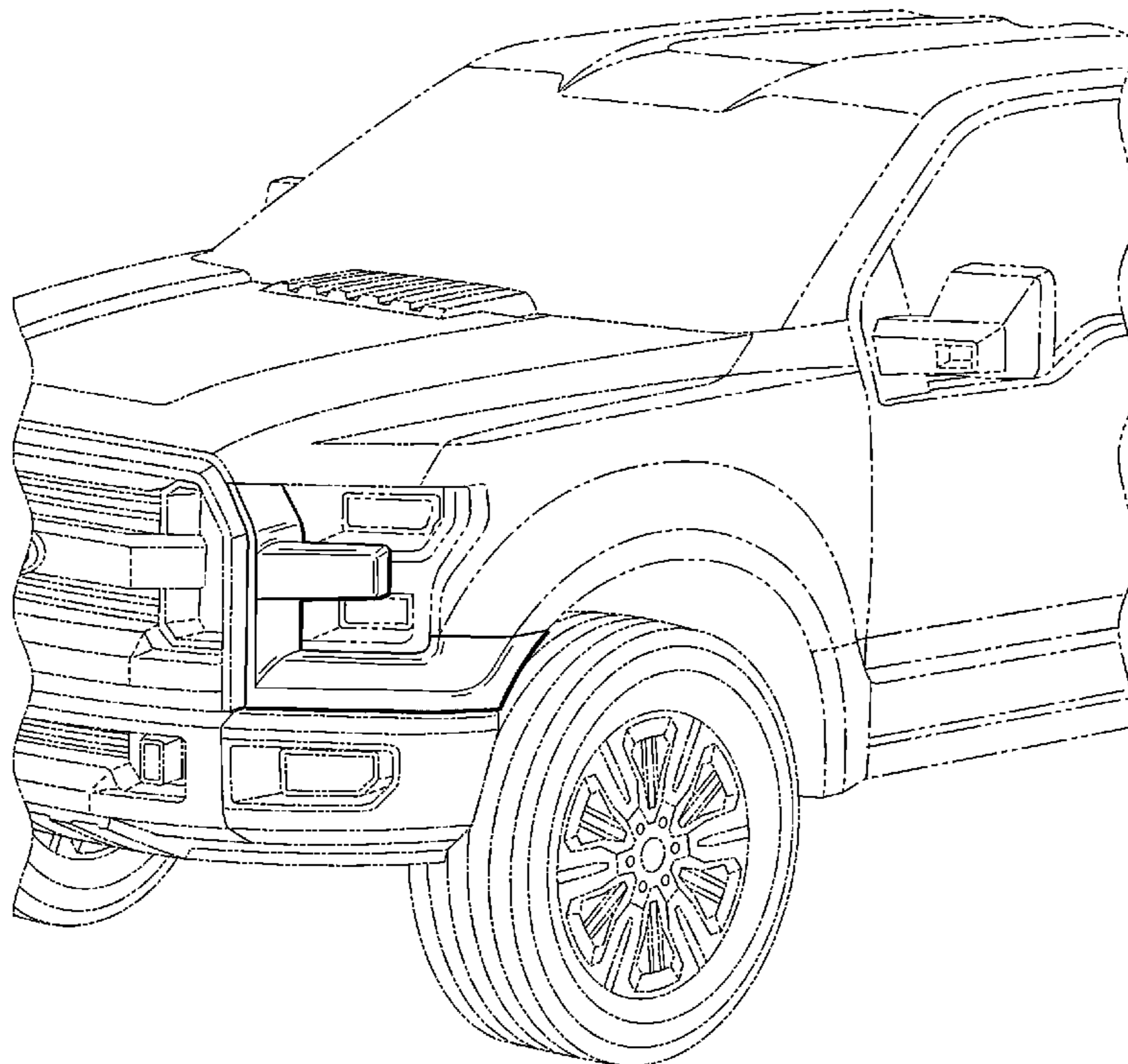
FIG. 1 is a front perspective view of a vehicle headlamp fascia in accordance with an embodiment of the present invention, wherein a headlamp fascia is shown on each side of the vehicle;

FIG. 2 is a front/left side perspective view of the vehicle headlamp fascia of FIG. 1, wherein a front/right side perspective view is a mirror image thereof; and,

FIG. 3 is a left side perspective view of the vehicle headlamp fascia of FIG. 1, wherein a left side perspective view is a mirror image thereof.

The broken lines are for illustrative purposes only and form no part of the claimed design.

1 Claim, 3 Drawing Sheets



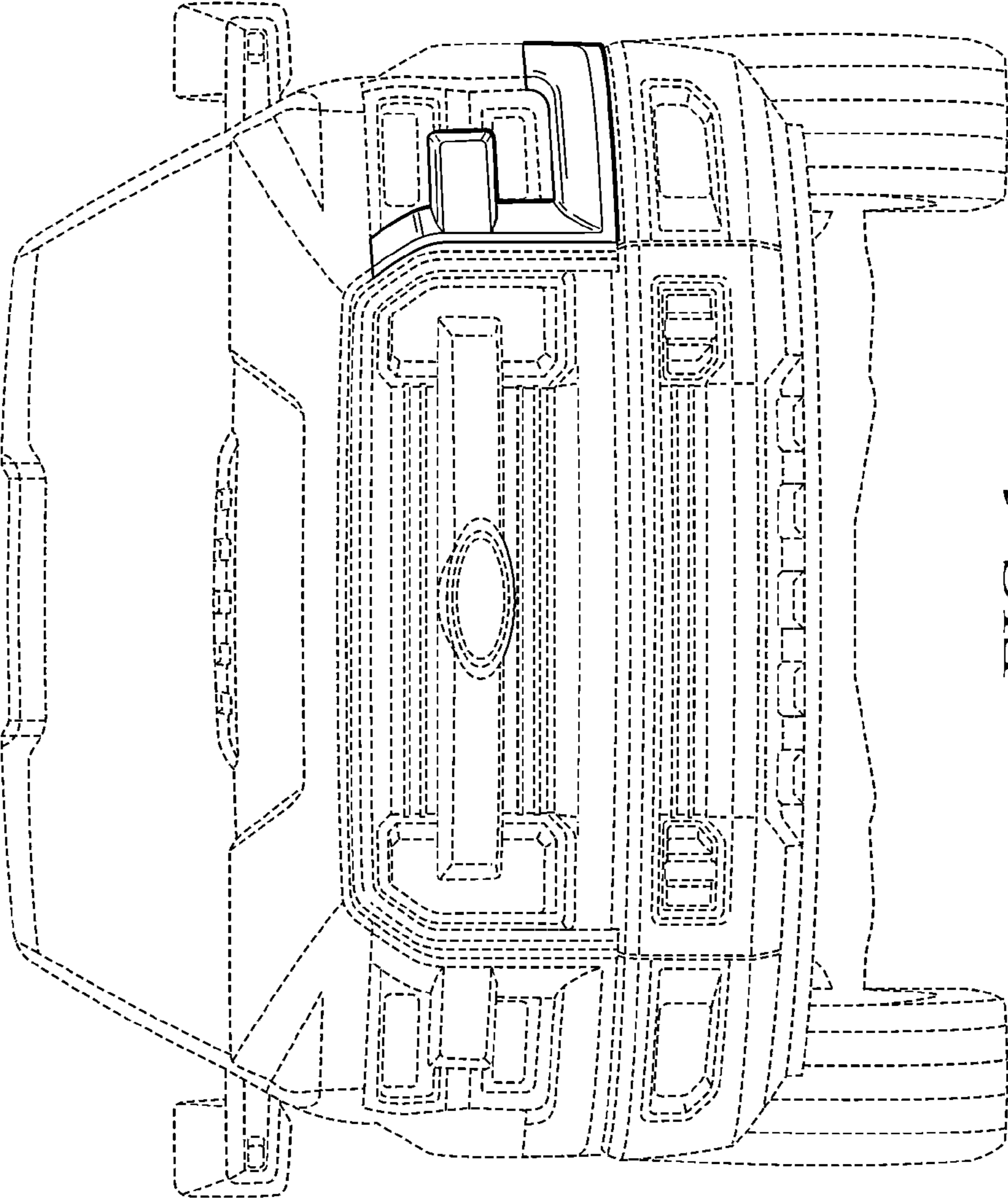


FIG. 1

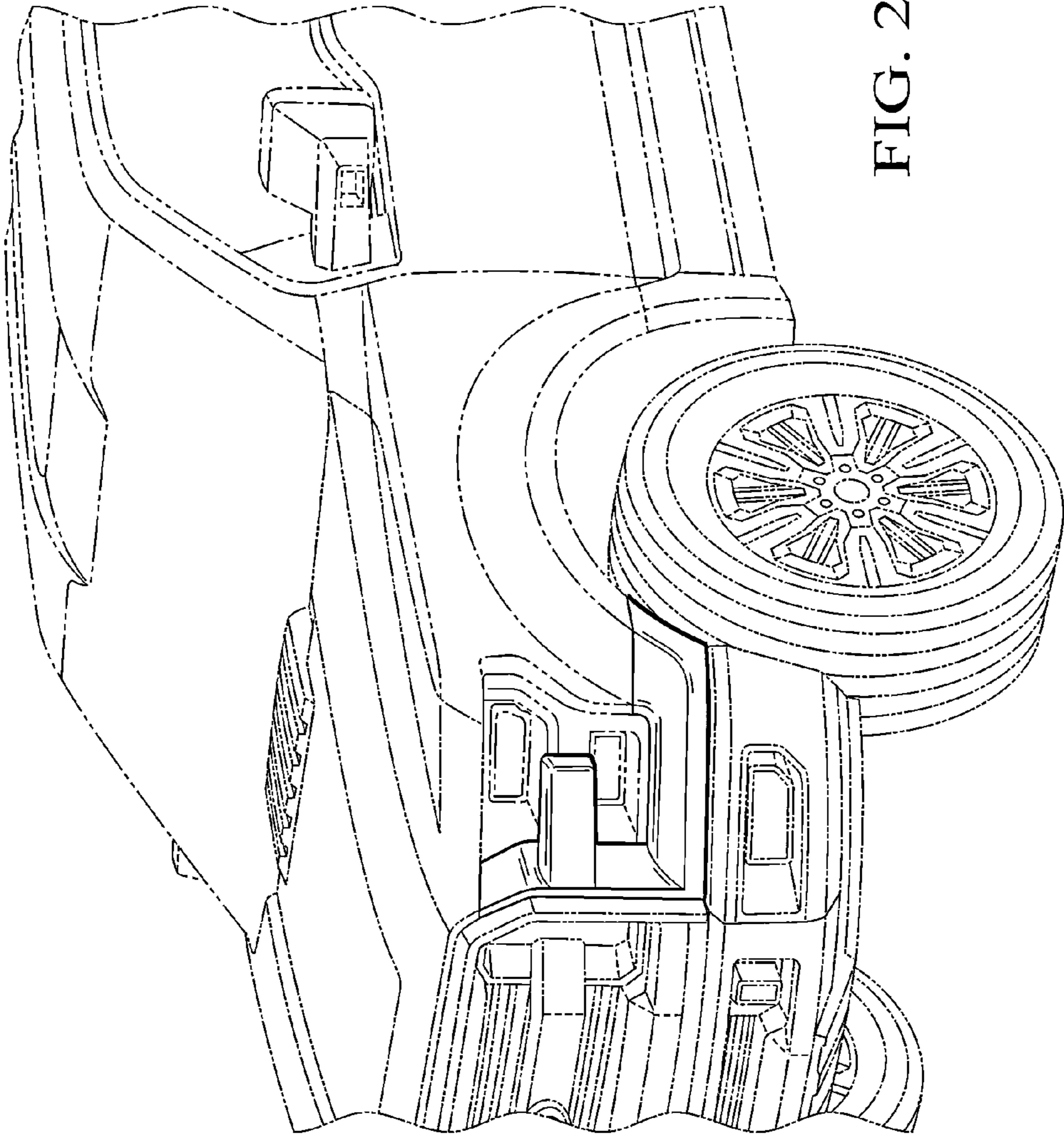


FIG. 2

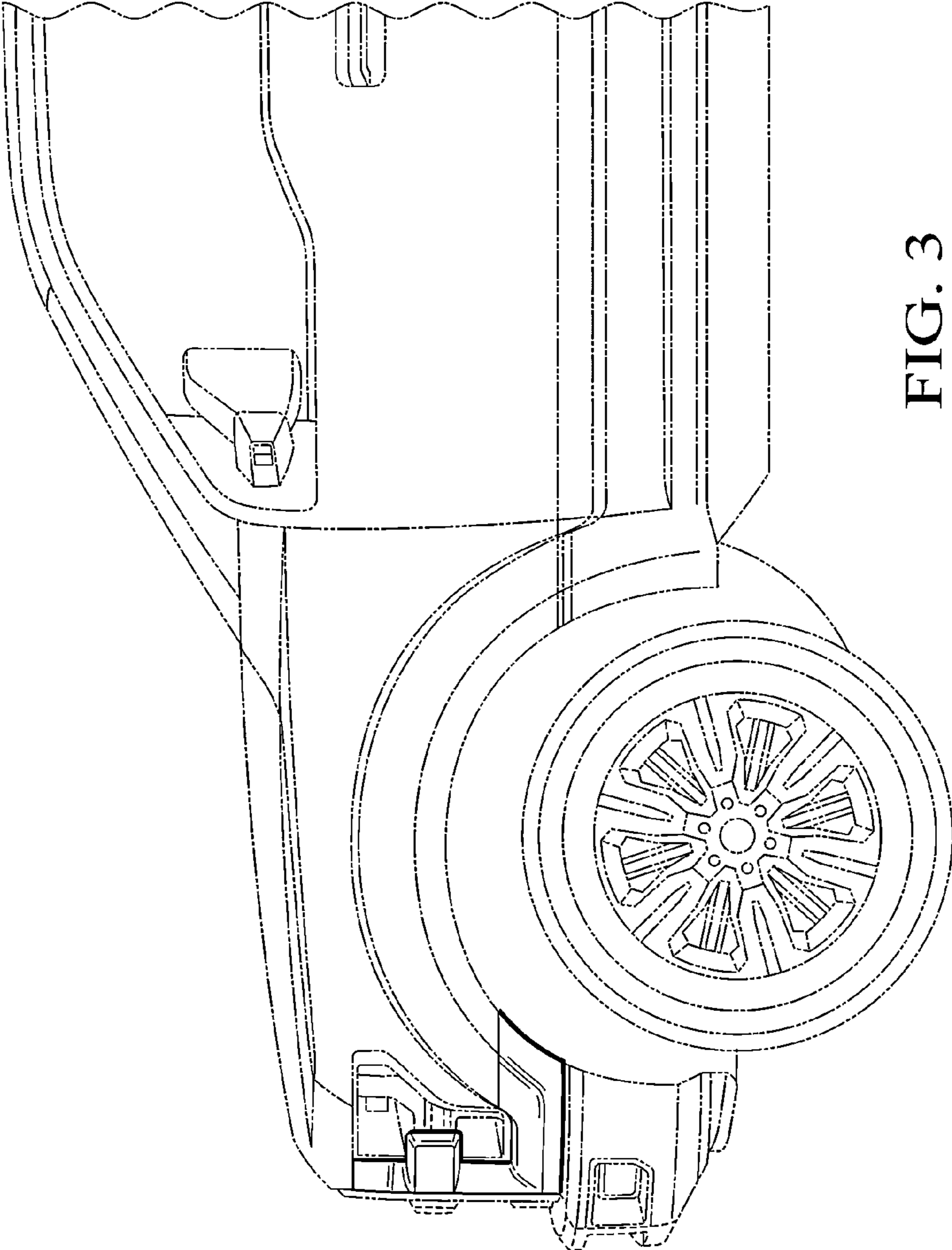


FIG. 3