



US00D717988S

(12) **United States Design Patent**
Zhu

(10) **Patent No.:** **US D717,988 S**

(45) **Date of Patent:** **** Nov. 18, 2014**

(54) **LED STREETLIGHT**

(71) Applicant: **JianRong Zhu**, TaiZhou (CN)

(72) Inventor: **JianRong Zhu**, TaiZhou (CN)

(**) Term: **14 Years**

(21) Appl. No.: **29/449,751**

(22) Filed: **Mar. 15, 2013**

(51) **LOC (10) Cl.** **26-05**

(52) **U.S. Cl.**
USPC **D26/71**

(58) **Field of Classification Search**
CPC F21S 8/085; F21S 8/086; F21S 8/088;
F21V 21/14
USPC D26/67-71, 92; 362/249.01, 249.02,
362/235-237, 157
See application file for complete search history.

(56) **References Cited**

U.S. PATENT DOCUMENTS

D634,875	S	*	3/2011	Jiang et al.	D26/71
7,922,372	B2	*	4/2011	Li	362/373
D646,420	S	*	10/2011	Chen et al.	D26/71
D650,110	S	*	12/2011	Zhu	D26/71
8,267,544	B2	*	9/2012	Zheng et al.	362/249.02
D674,527	S	*	1/2013	Du et al.	D26/71
D676,176	S	*	2/2013	Akinrele et al.	D26/71

D676,178	S	*	2/2013	Akinrele et al.	D26/71
8,585,258	B2	*	11/2013	Ham	362/373
D694,935	S	*	12/2013	Zheng et al.	D26/71
D695,438	S	*	12/2013	Liu et al.	D26/71
D695,946	S	*	12/2013	Duquette et al.	D26/92
8,651,693	B2	*	2/2014	Josefowicz et al.	362/235

* cited by examiner

Primary Examiner — Clare E Heflin

(74) *Attorney, Agent, or Firm* — Michael D. Eisenberg;
Jeanette Meng Nakagawa

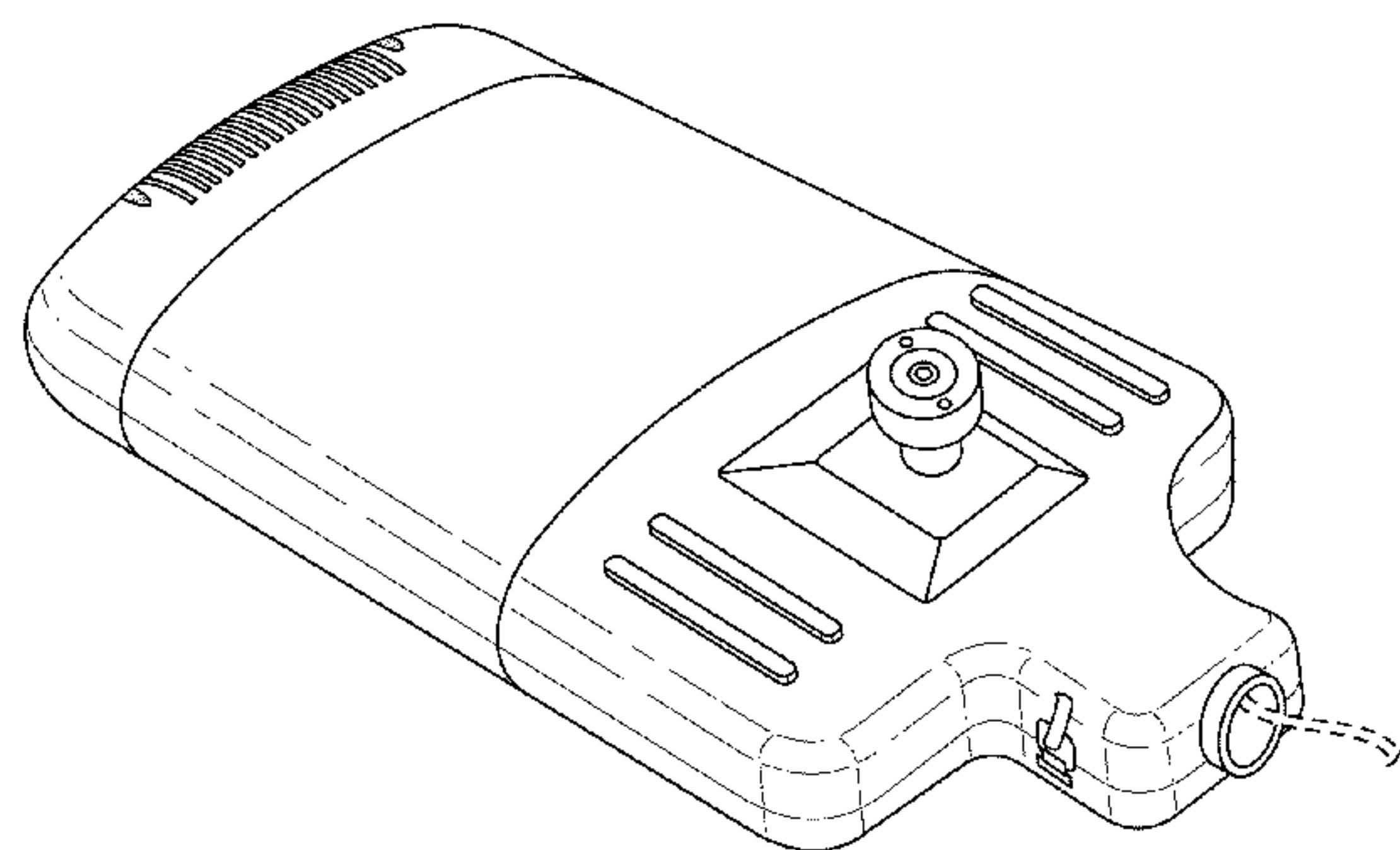
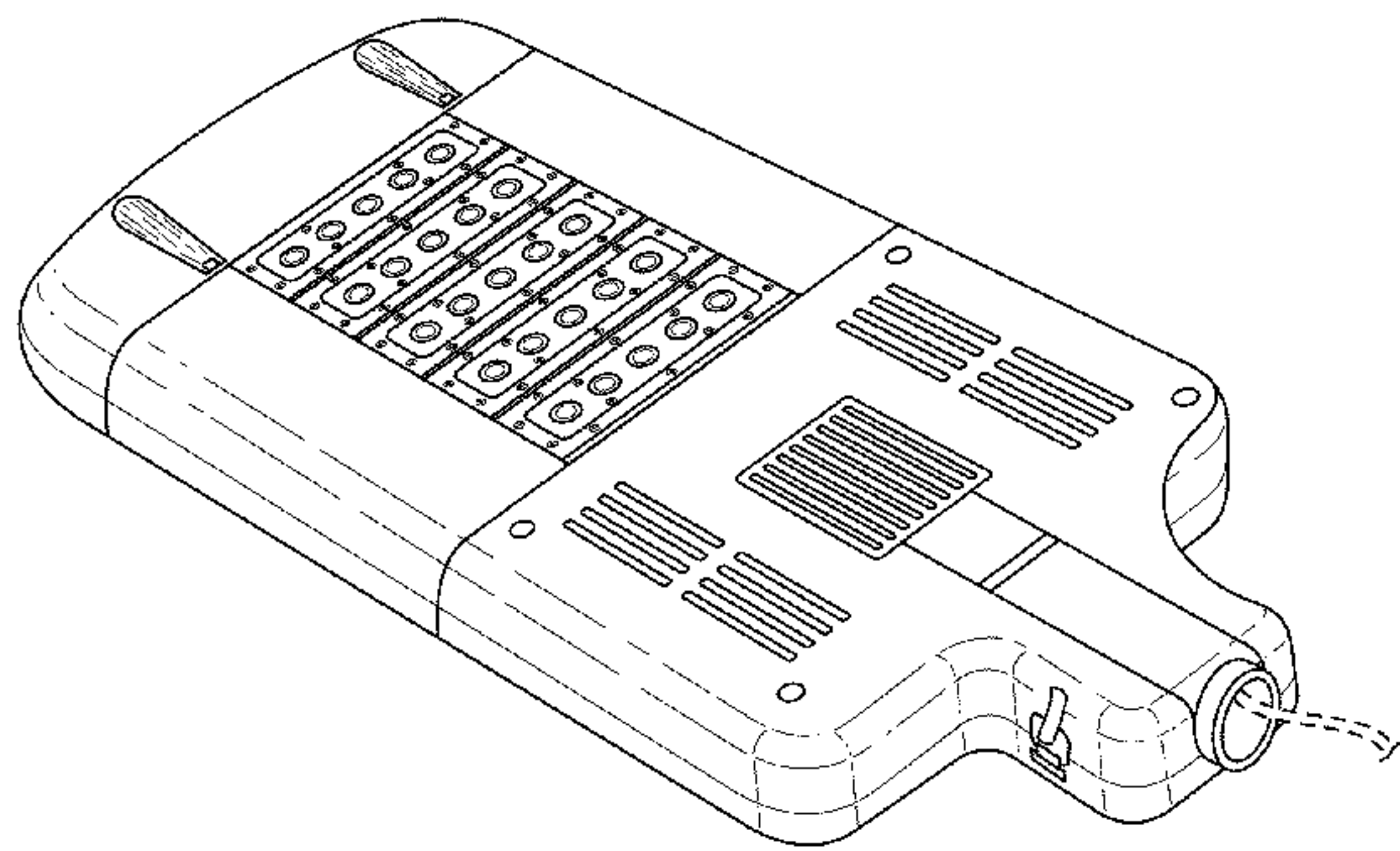
(57) **CLAIM**

The ornamental design for a LED streetlight, as shown and described.

DESCRIPTION

FIG. 1 is a perspective view from the front and above of a LED streetlight showing my new design;
FIG. 2 is a perspective view from the back and above of the LED streetlight;
FIG. 3 is a back view of the LED streetlight;
FIG. 4 is a front view of the LED streetlight;
FIG. 5 is a right side view of the LED streetlight;
FIG. 6 is a left side view of the LED streetlight;
FIG. 7 is a bottom view of the LED streetlight; and,
FIG. 8 is a top view of the LED streetlight.
The broken lines shown are for illustrative purposes only and form no part of the claimed design.

1 Claim, 8 Drawing Sheets



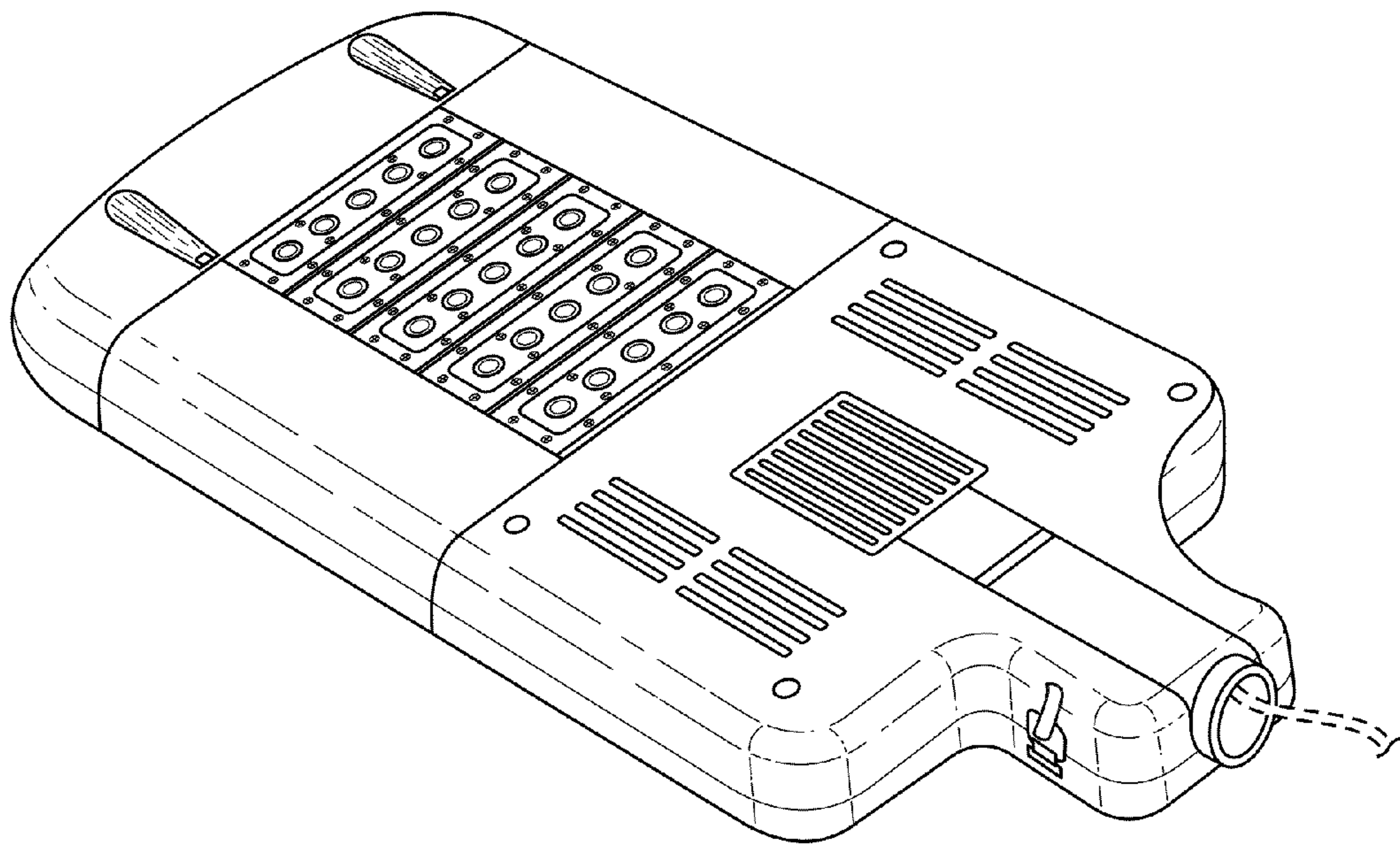


FIG. 1

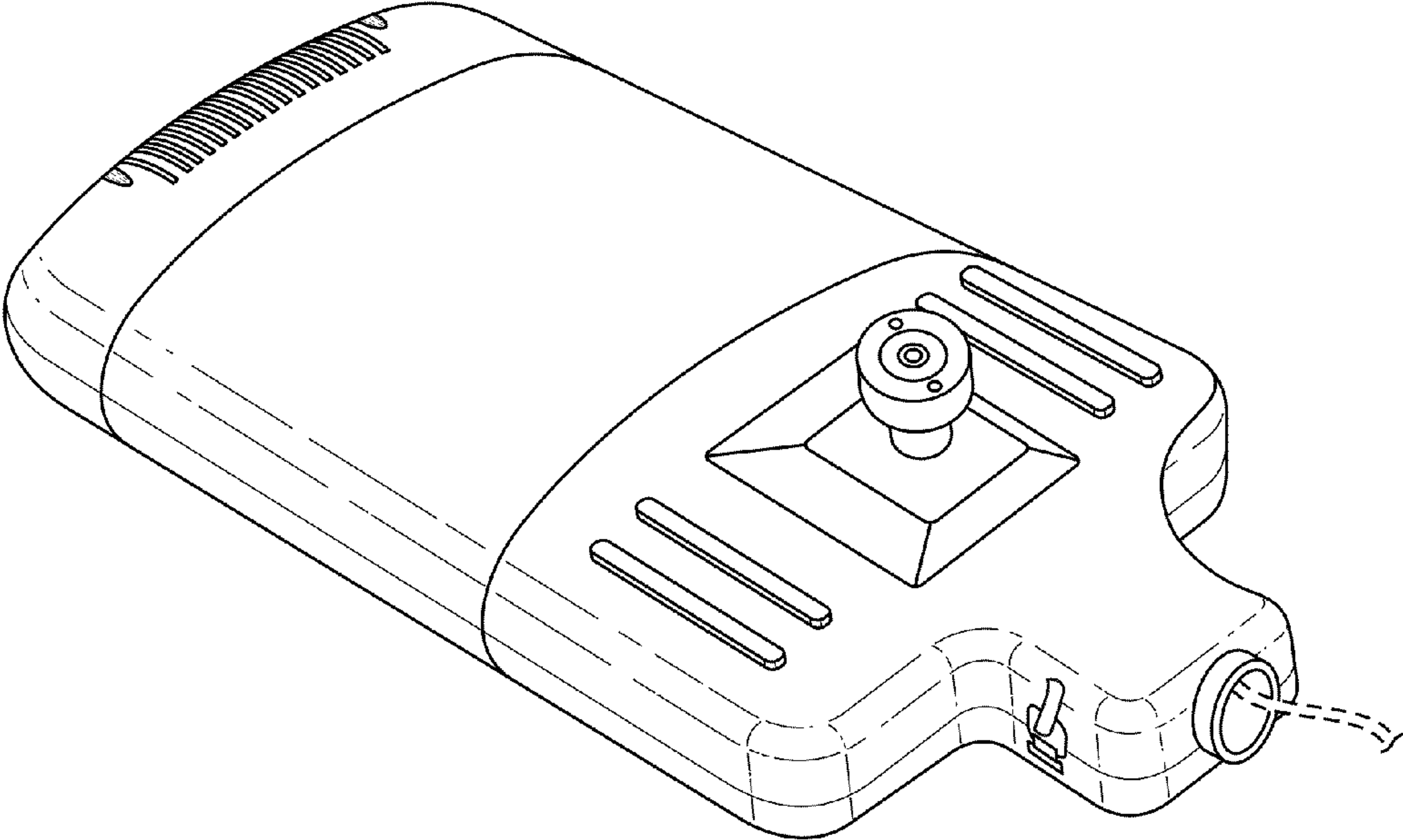


FIG. 2

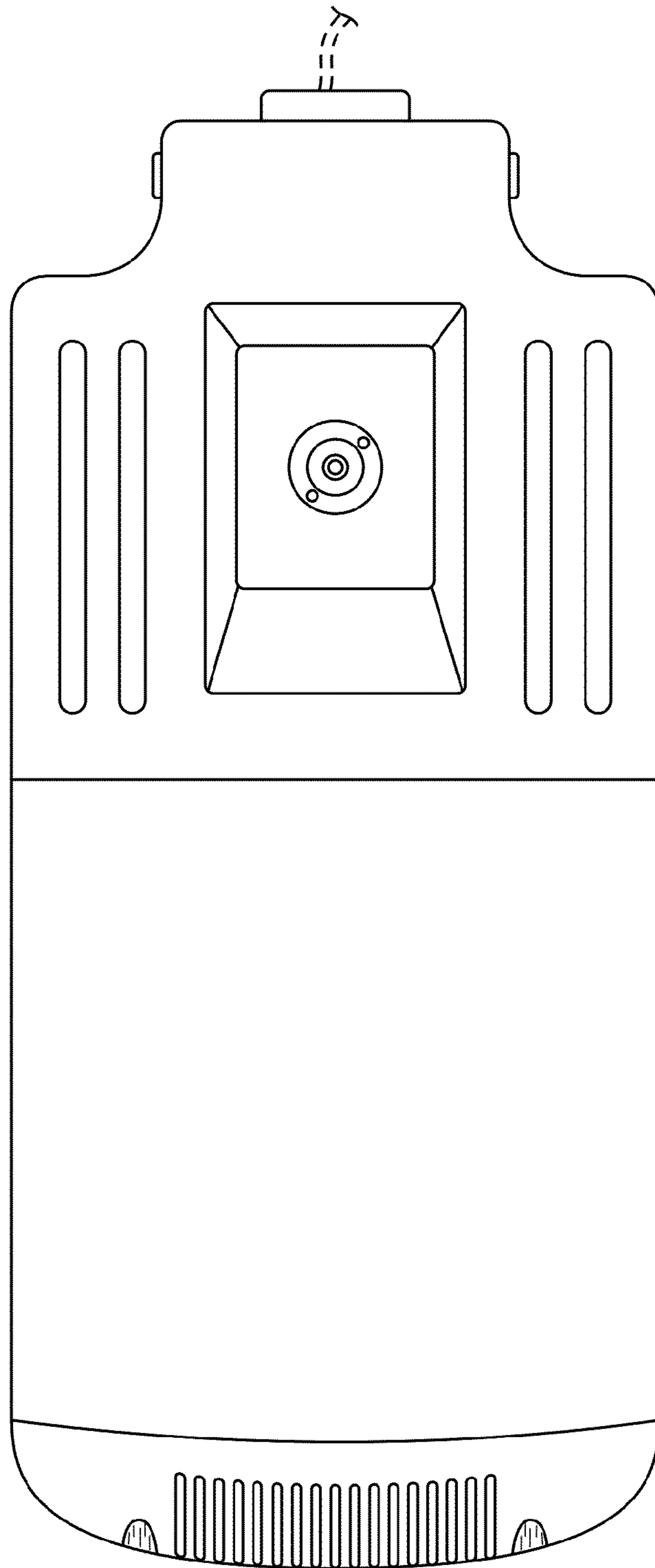


FIG. 3

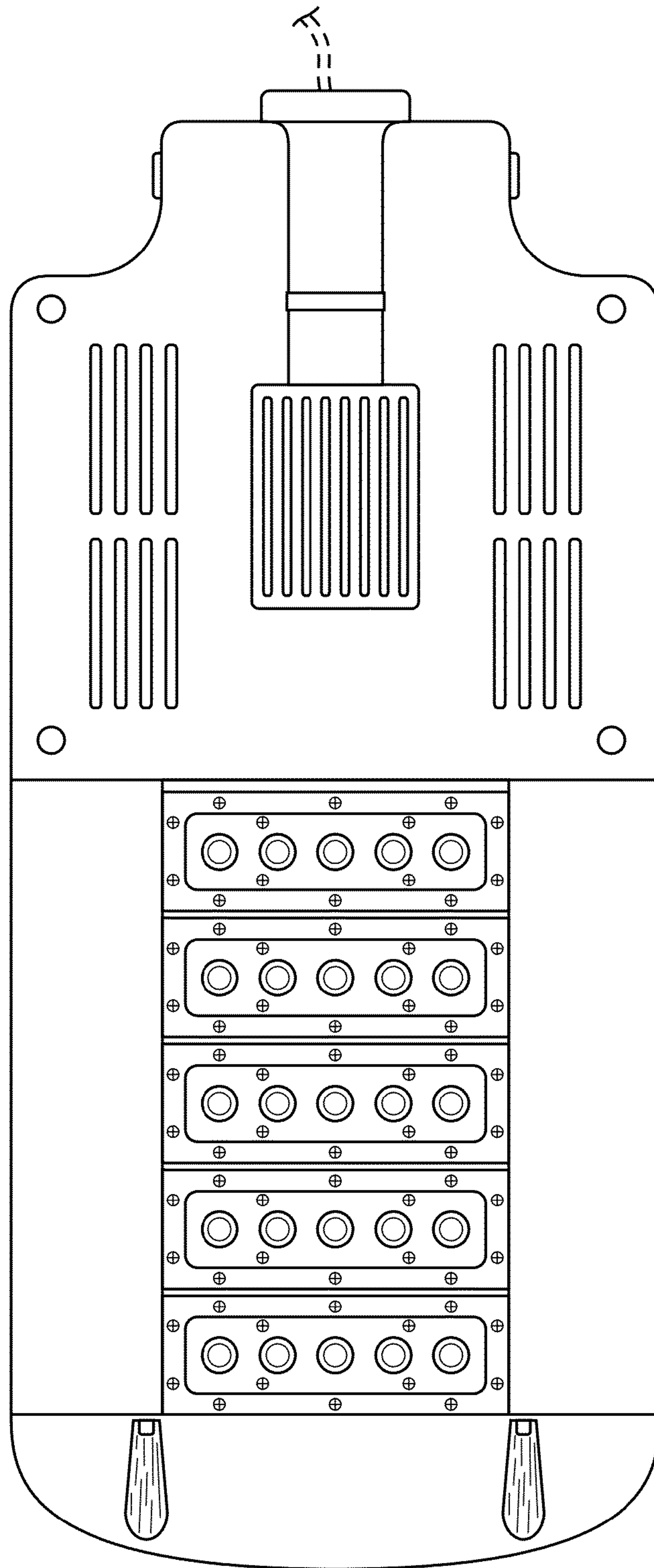


FIG. 4

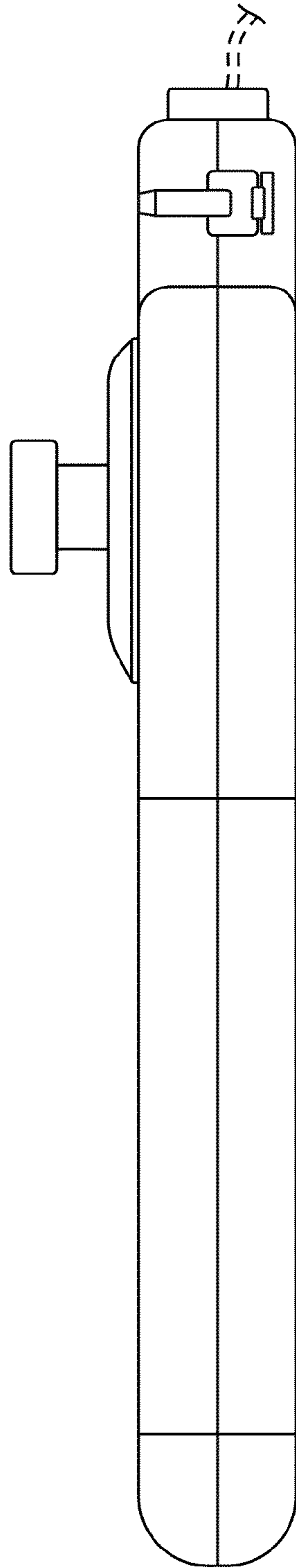


FIG. 5

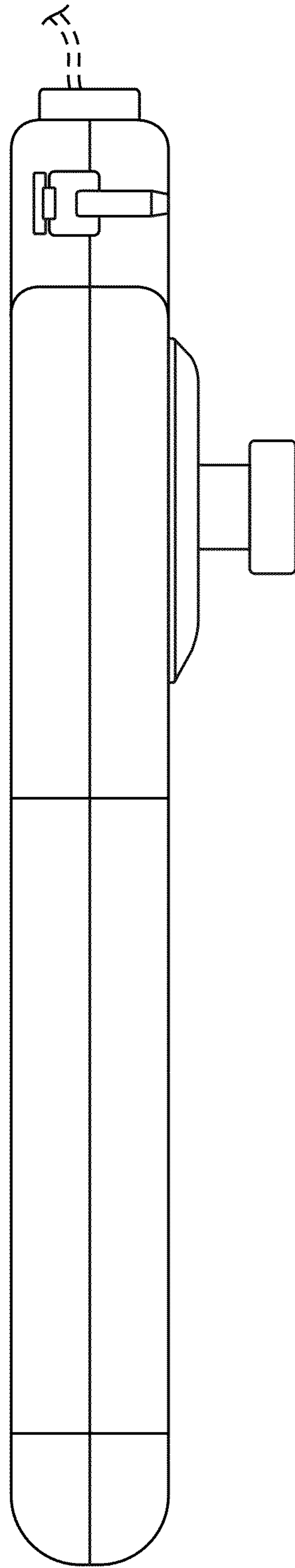


FIG. 6

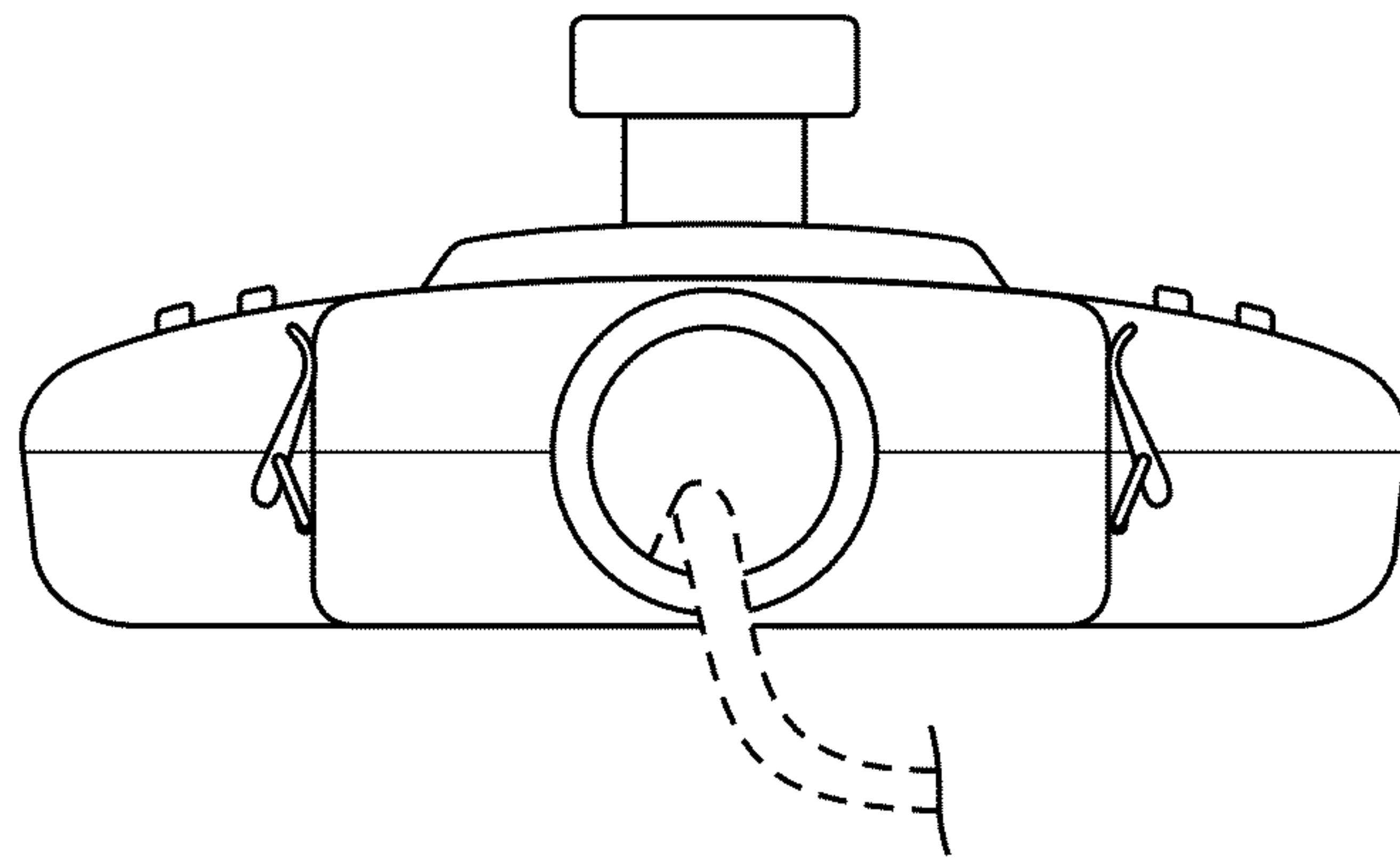


FIG. 7

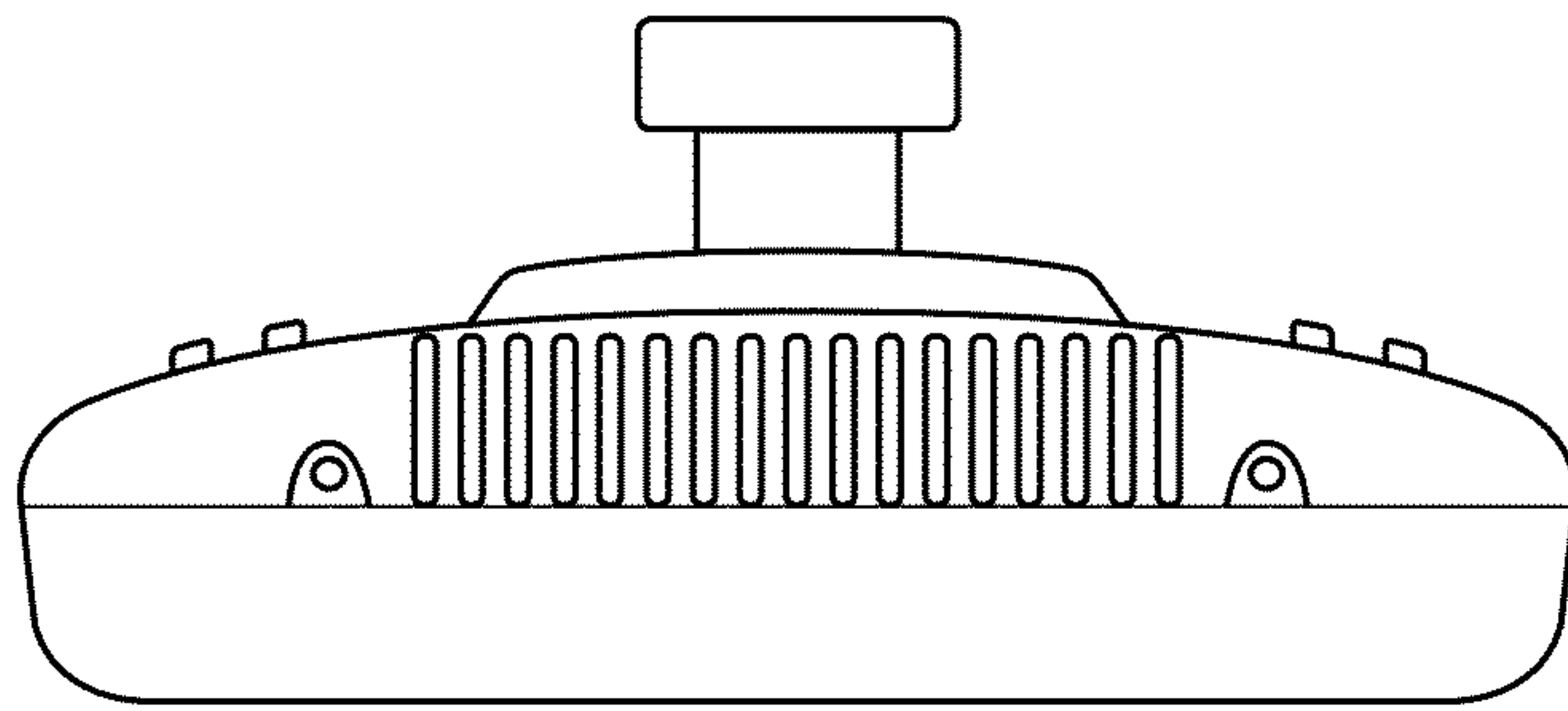


FIG. 8