



US00D717987S

(12) **United States Design Patent**
Prommel et al.

(10) **Patent No.:** **US D717,987 S**

(45) **Date of Patent:** **** Nov. 18, 2014**

(54) **SOLAR-POWERED LIGHTING DEVICE AND CHARGING STATION**

(71) Applicant: **Goal Zero LLC**, Bluffdale, UT (US)

(72) Inventors: **Mark Prommel**, Brooklyn, NY (US); **Marco Perry**, Brooklyn, NY (US); **Pil Ho Chung**, Jersey City, NJ (US); **Kevin O’Leary**, Brooklyn, NY (US); **Avi Bajpai**, Brooklyn, NY (US); **Todd Brunner**, Brooklyn, NY (US)

(73) Assignee: **Goal Zero, LLC**, Bluffdale, UT (US)

(**) Term: **14 Years**

(21) Appl. No.: **29/447,083**

(22) Filed: **Feb. 28, 2013**

(51) **LOC (10) Cl.** **26-05**

(52) **U.S. Cl.**
USPC **D26/71; D26/70**

(58) **Field of Classification Search**
USPC **D26/67–71; 362/431, 183**
See application file for complete search history.

(56) **References Cited**

U.S. PATENT DOCUMENTS

D186,547	S	*	11/1959	Burton	D26/69
D195,310	S	*	5/1963	Zagel	D26/70
D202,372	S	*	9/1965	Deskey et al.	D26/69
4,486,820	A	*	12/1984	Baba et al.	362/183
D279,410	S	*	6/1985	Fiorentino et al.	D26/69
7,131,753	B1	*	11/2006	Edwards, Jr.	362/405
D582,594	S	*	12/2008	Zhou et al.	D26/69
D598,156	S	*	8/2009	Xiao et al.	D26/69

D622,432	S	*	8/2010	Yan	D26/69
D642,723	S	*	8/2011	Zheng	D26/70
7,988,413	B2	*	8/2011	Haar	416/31
D647,236	S	*	10/2011	Chang	D26/70
8,288,884	B1	*	10/2012	Malcolm	290/55
D679,042	S	*	3/2013	Yu	D26/69
D679,847	S	*	4/2013	Arnold et al.	D26/70
D700,730	S	*	3/2014	Behar et al.	D26/69
2009/0040750	A1	*	2/2009	Myer	362/183

* cited by examiner

Primary Examiner — Clare E Heflin

(74) *Attorney, Agent, or Firm* — Foley & Lardner LLP

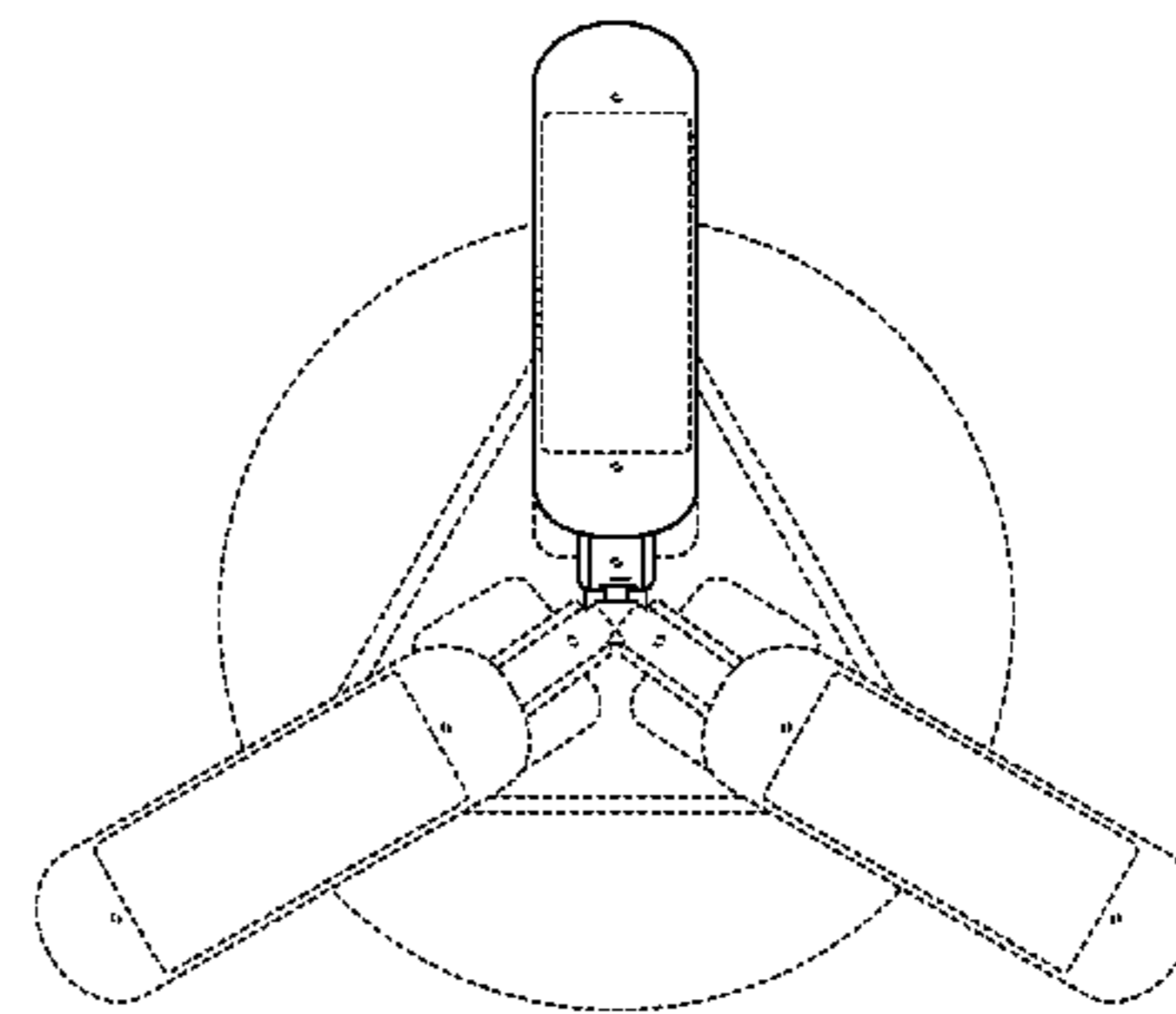
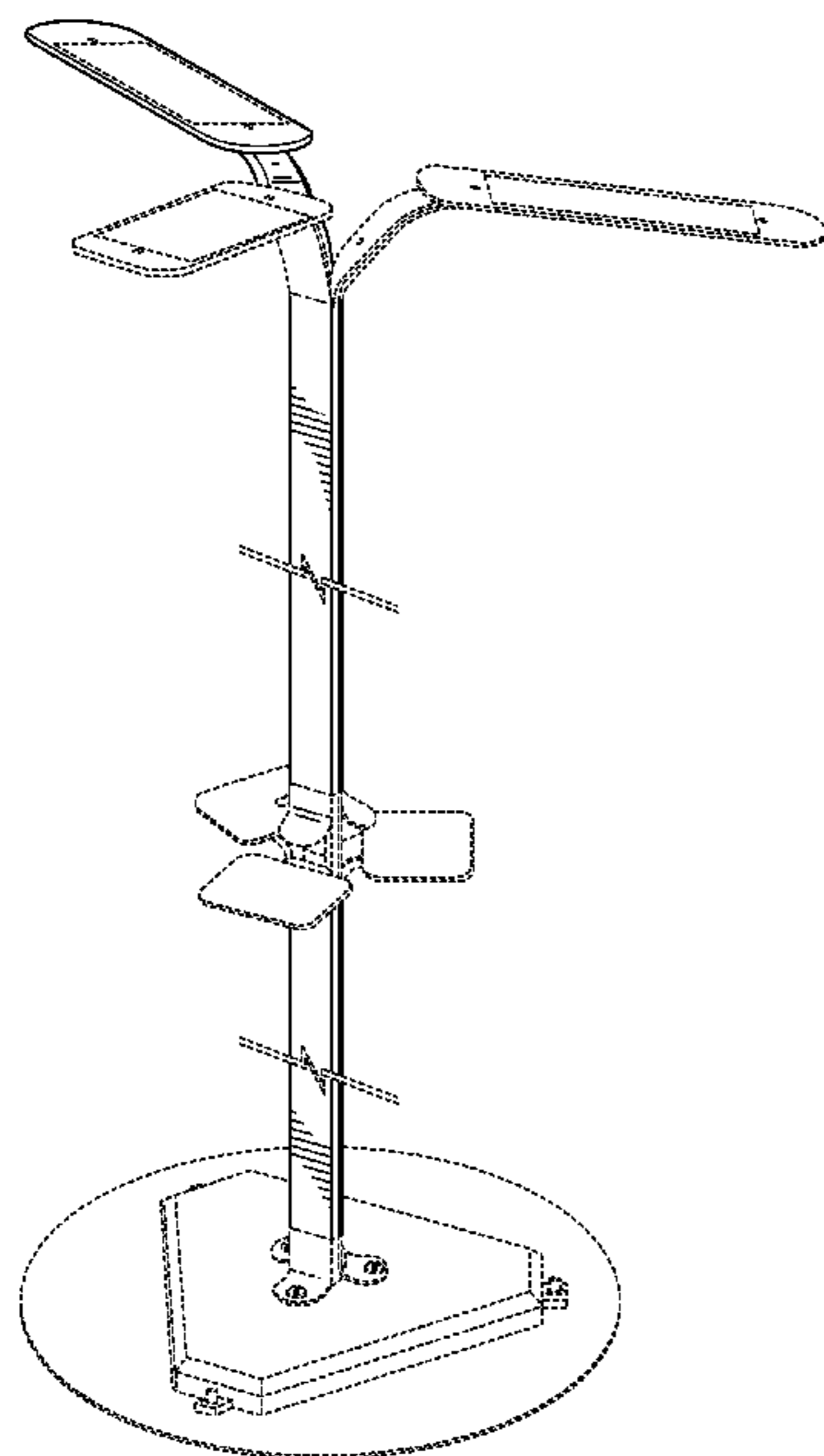
(57) **CLAIM**

We claim the ornamental design for a solar powered lighting device and charging station, as shown and described.

DESCRIPTION

FIG. 1 is a perspective view of one embodiment of the claimed design;
FIG. 2 is a front elevation view of the claimed design of FIG. 1;
FIG. 3 is a rear elevation view of the claimed design of FIG. 1;
FIG. 4 is a left side view of the claimed design of FIG. 1;
FIG. 5 is a right side view of the claimed design of FIG. 1;
FIG. 6 is a top view of the claimed design of FIG. 1; and,
FIG. 7 is a bottom view of the claimed design of FIG. 1.
The ornamental design which is claimed is shown in solid lines in the drawings. The broken lines in the drawings are for illustrative purposes only and form no part of the claimed design.

1 Claim, 7 Drawing Sheets



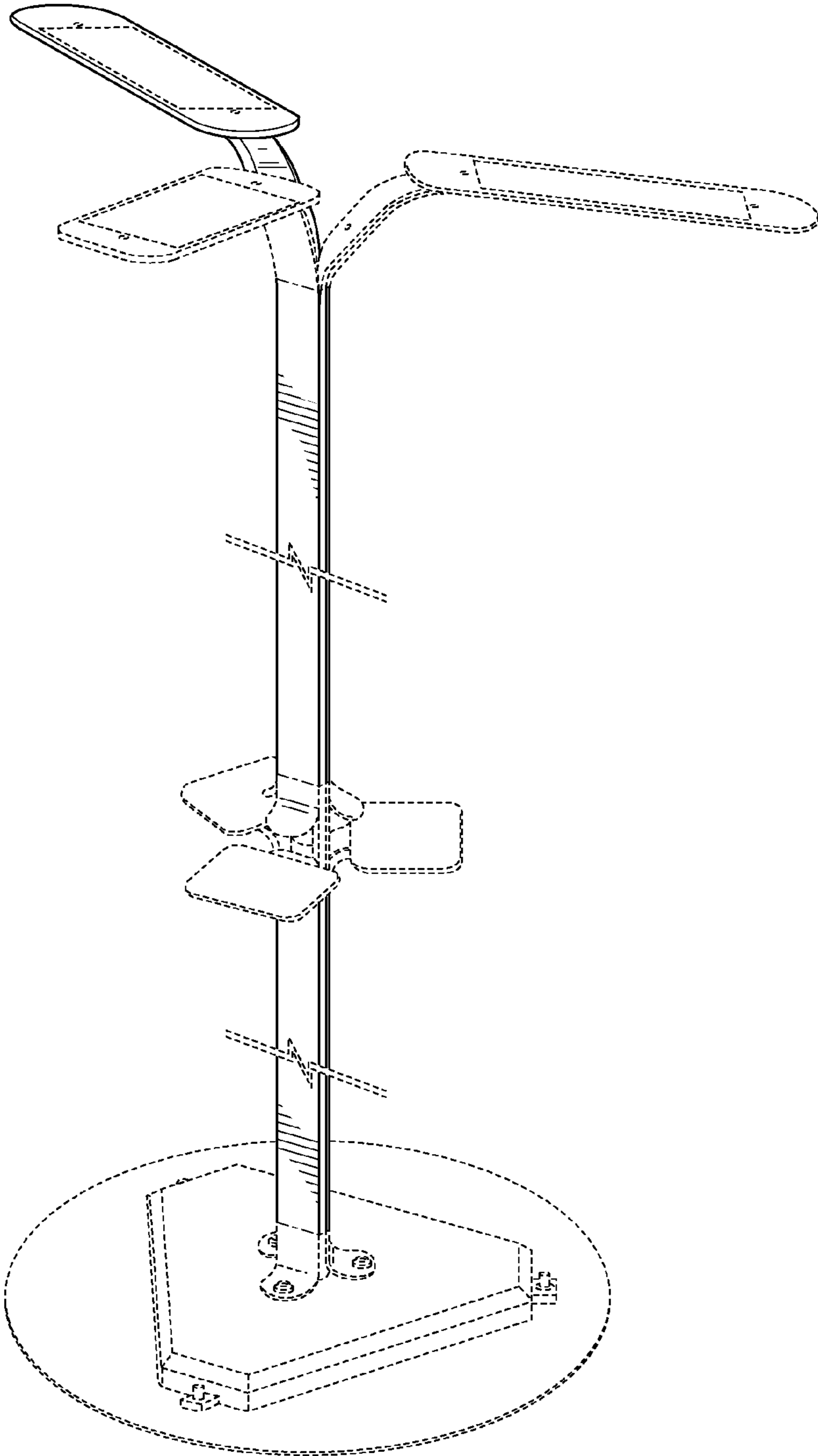


FIG. 1

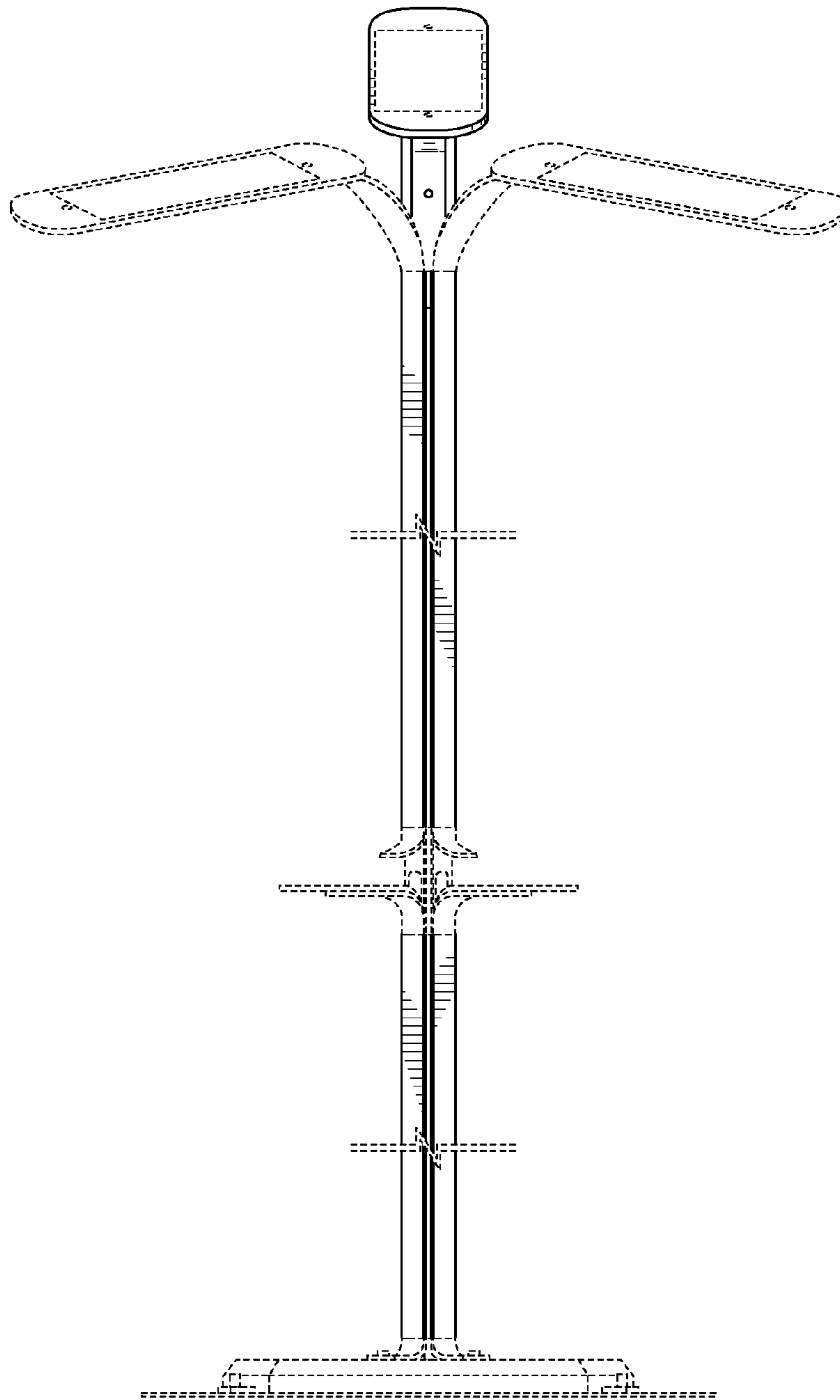


FIG. 2

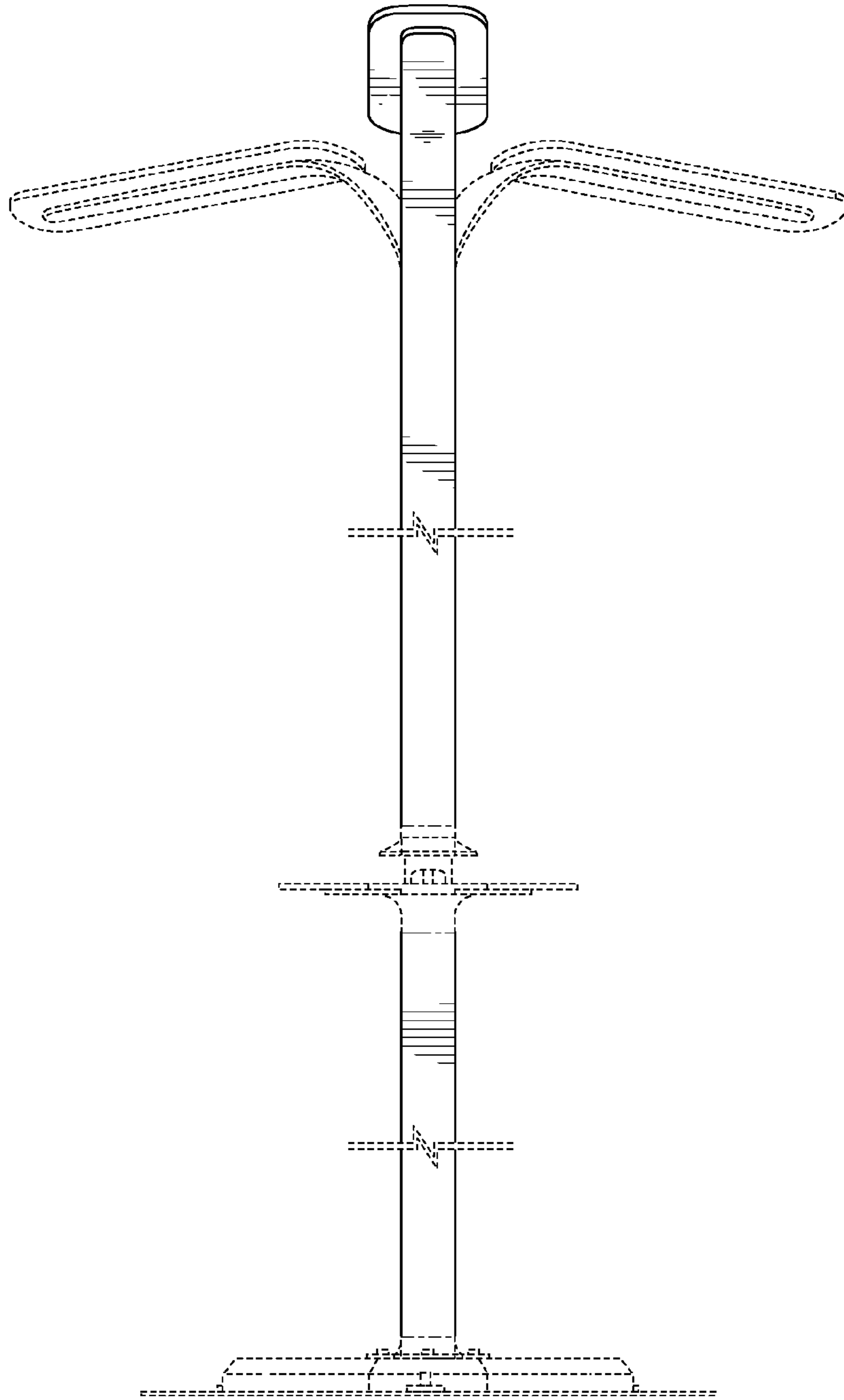


FIG. 3

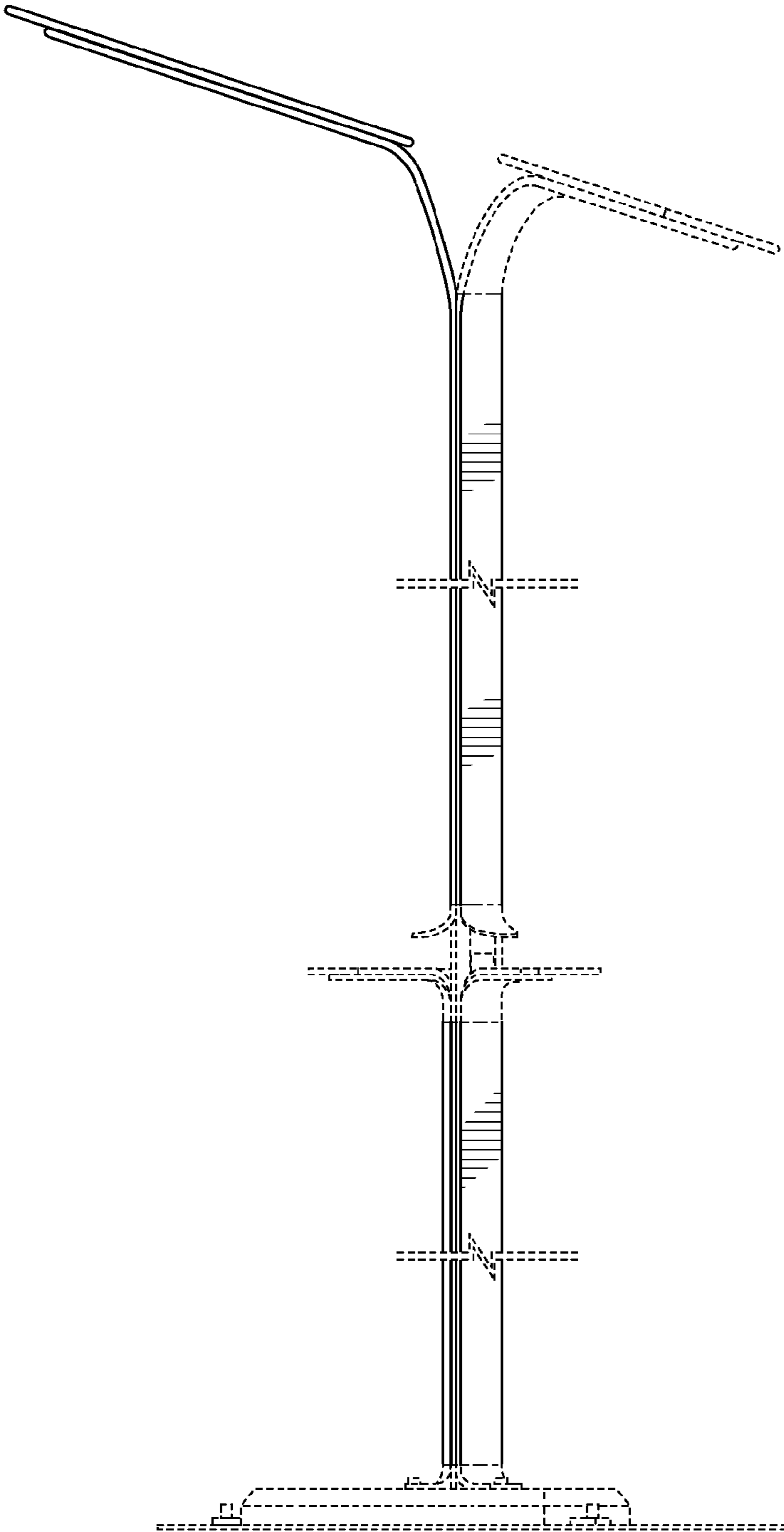


FIG. 4

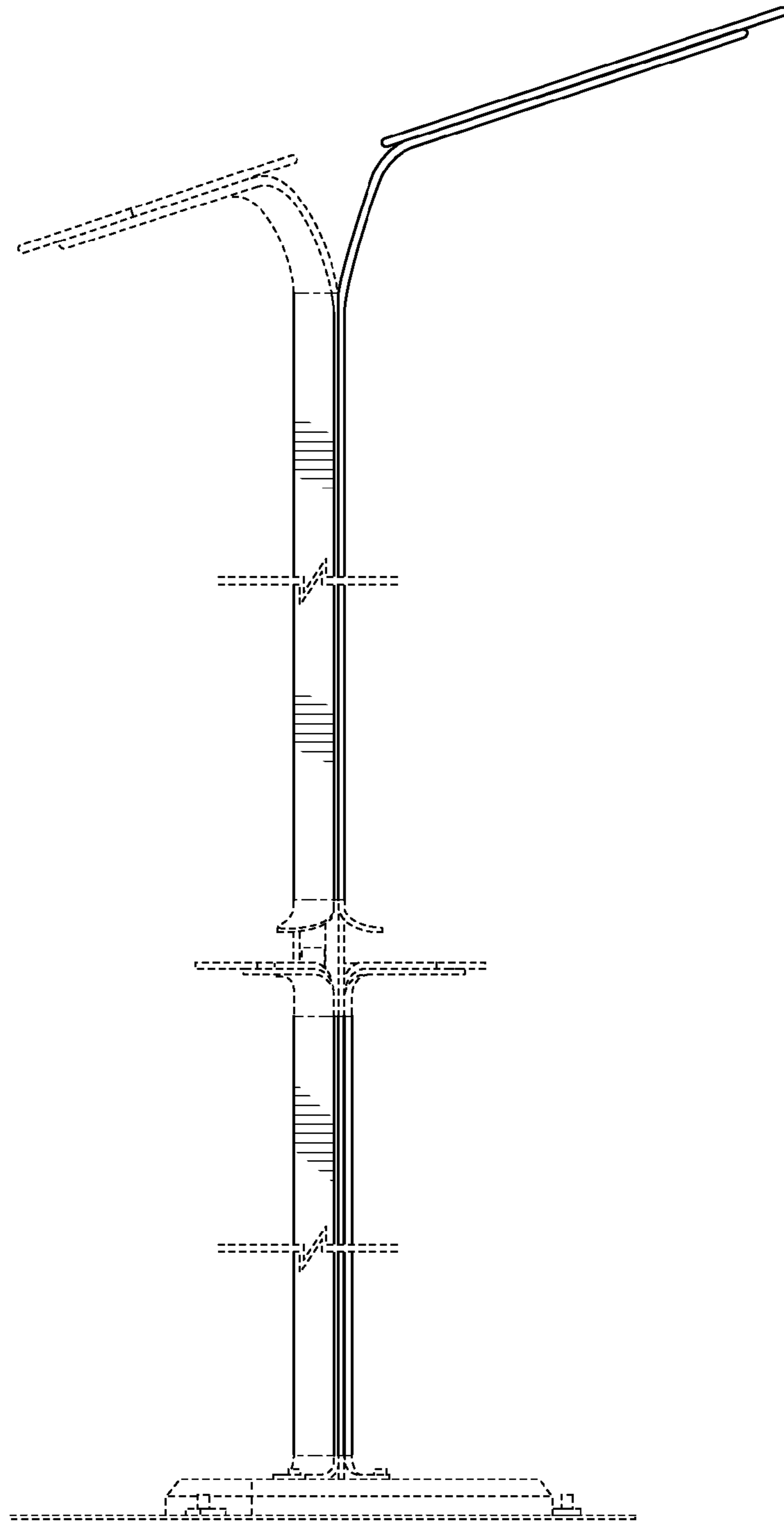


FIG. 5

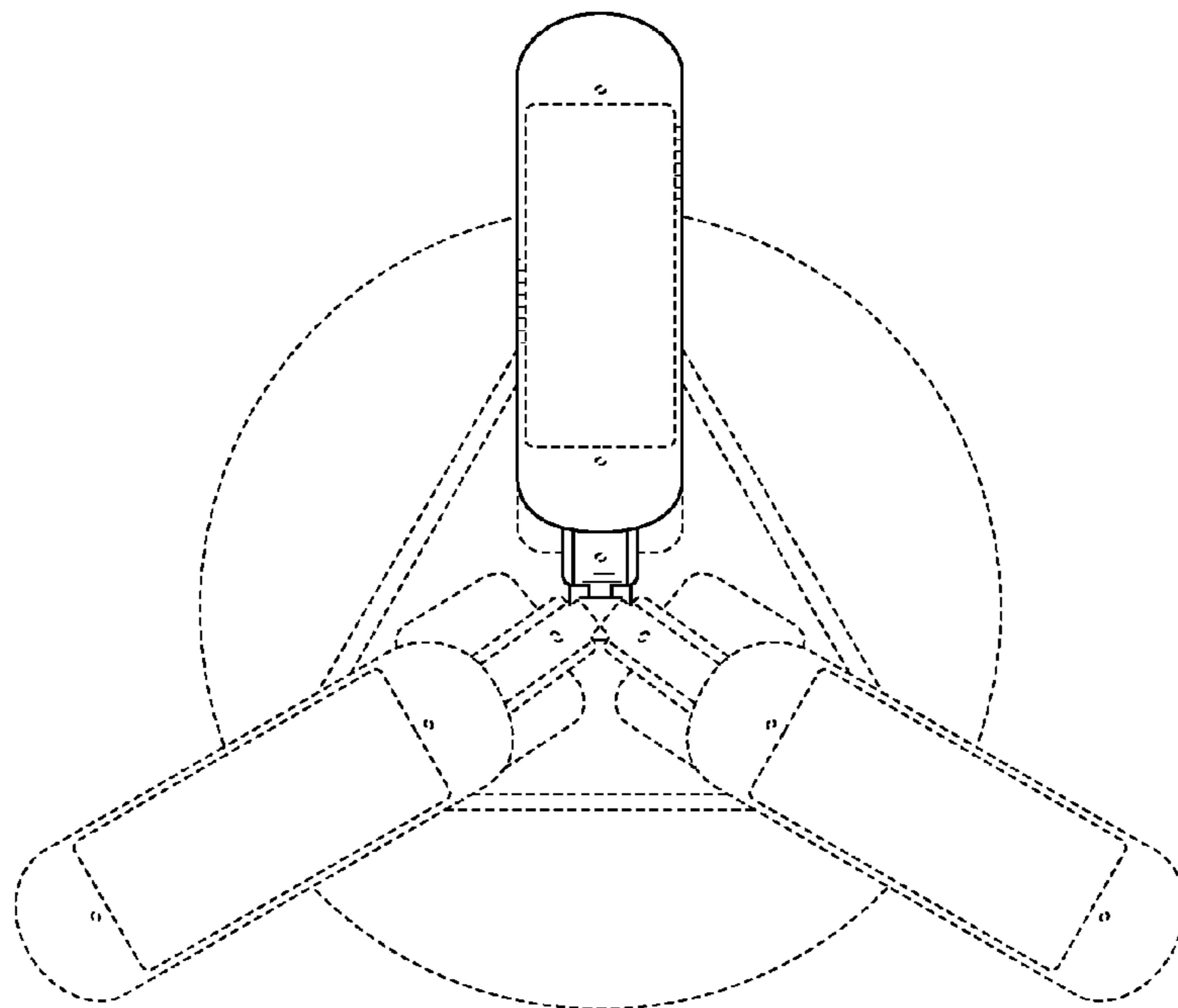


FIG. 6

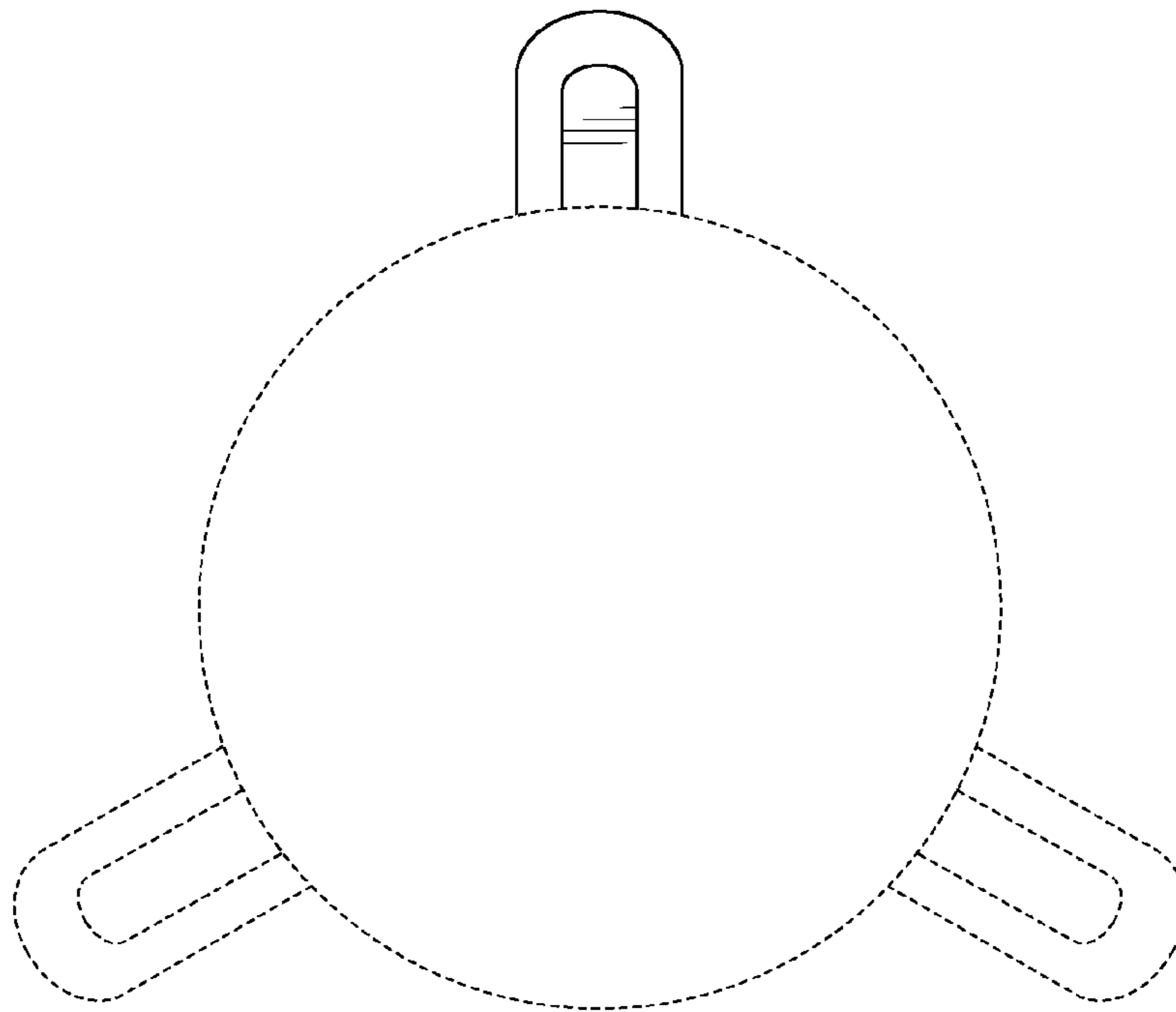


FIG. 7