



US00D717986S

(12) **United States Design Patent**
McClure et al.

(10) **Patent No.:** **US D717,986 S**

(45) **Date of Patent:** **** Nov. 18, 2014**

(54) **LED LIGHT FIXTURE**

(75) Inventors: **Mark Donald McClure**, Ames, IA
(US); **Andrew Joseph McClure**, Ames,
IA (US)

(73) Assignee: **Makersled LLC**, Ames, IA (US)

(**) Term: **14 Years**

(21) Appl. No.: **29/416,452**

(22) Filed: **Mar. 22, 2012**

(51) **LOC (10) Cl.** **26-05**

(52) **U.S. Cl.**
USPC **D26/59**

(58) **Field of Classification Search**
USPC D7/300–710; D8/1–404; D10/1–132;
D11/1–241; D13/100–182;
D14/125–511; D20/1–44;
D24/100–234; D25/1–164; D26/59,
D26/76; D27/100–196; D29/100–130;
D99/1–43; 62/32, 3.6; 417/14;
250/540 R; 136/200; 165/4–10, 42–44,
165/48.1–185; 361/679.54, 679.47, 697,
361/695, 704, 709; 416/244 R; 219/220;
362/133, 230, 101, 709, 704; 313/46;
47/58.1 LS; 257/100

See application file for complete search history.

7,869,213 B2 * 1/2011 Chen et al. 361/695
D632,418 S * 2/2011 Bisberg et al. D26/76
7,891,847 B2 2/2011 Vukosic et al.
8,330,362 B2 12/2012 Lin
8,403,533 B1 3/2013 Paulsel
8,408,734 B2 4/2013 Wu et al.
2002/0131236 A1 * 9/2002 Lin 361/709
2004/0040700 A1 * 3/2004 Tsai et al. 165/185

(Continued)

FOREIGN PATENT DOCUMENTS

WO 2011/041626 A1 4/2011
WO 2012/178198 A2 12/2012

(Continued)

OTHER PUBLICATIONS

“8.460” LED T-Slots, Extruded Aluminum Heatsink with T-Slots,
Document available at: <http://www.heatsinkusa.com/8-460-led-t-slots/>, Retrieved on Jan. 30, 2013, 2 pages.

(Continued)

Primary Examiner — Eric Goodman
Assistant Examiner — Ryan Harvey
(74) *Attorney, Agent, or Firm* — Clark IP Law, PLC

(57) **CLAIM**
The ornamental design for an LED light fixture, as shown and described.

(56) **References Cited**

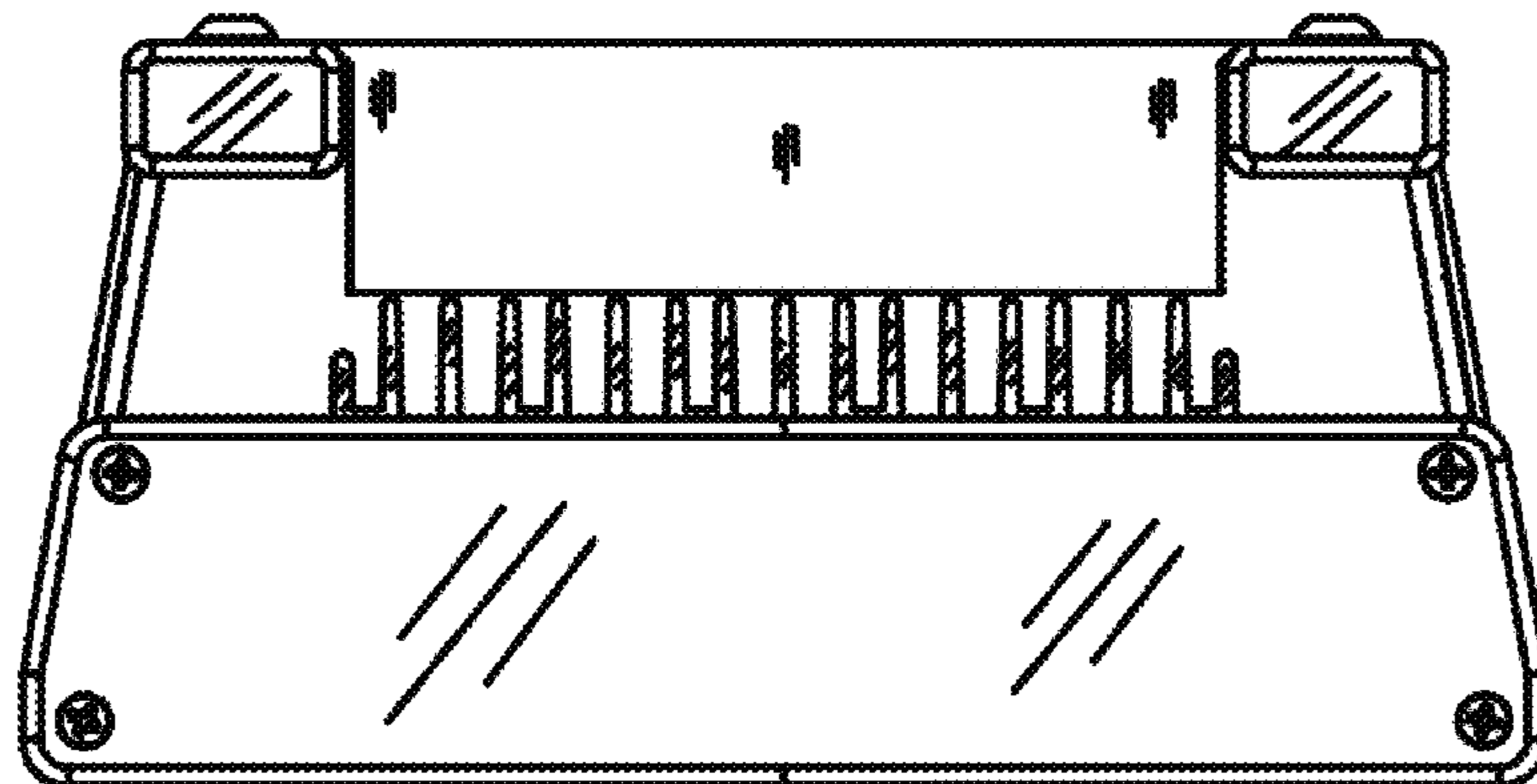
U.S. PATENT DOCUMENTS

3,725,634 A 4/1973 Lane
5,654,876 A 8/1997 Sathe et al.
5,787,971 A * 8/1998 Dodson 165/121
6,269,003 B1 * 7/2001 Wen-Chen 361/704
6,789,609 B2 * 9/2004 Tsai et al. 165/78
7,513,659 B2 4/2009 Vukosic et al.
D592,785 S * 5/2009 Bisberg et al. D26/76
D592,786 S * 5/2009 Bisberg et al. D26/76
7,694,718 B2 * 4/2010 Lai et al. 165/80.3
7,854,527 B2 * 12/2010 Anderson 362/133

DESCRIPTION

FIG. 1 is a right elevational side view, the opposite side being a mirror image thereof;
FIG. 2 is a top plan view thereof;
FIG. 3 is a bottom plan view thereof;
FIG. 4 is a front elevational view of an LED light fixture; the opposite side being a mirror image thereof;
FIG. 5 is a top isometric view thereof; and,
FIG. 6 is a bottom isometric view thereof.

1 Claim, 4 Drawing Sheets



(56)

References Cited

U.S. PATENT DOCUMENTS

2006/0255359 A1* 11/2006 Sun et al. 257/100
 2009/0116224 A1* 5/2009 Crabb et al. 362/101
 2010/0132918 A1* 6/2010 Lin 165/80.3
 2010/0193158 A1* 8/2010 Lin 165/67
 2010/0214770 A1* 8/2010 Anderson 362/133
 2010/0276410 A1* 11/2010 Hudson et al. 219/220
 2011/0067836 A1* 3/2011 Tang et al. 165/67
 2011/0155363 A1* 6/2011 Hsieh 165/185
 2011/0175511 A1* 7/2011 Lai 313/46
 2011/0175512 A1* 7/2011 Lai 313/46
 2011/0197598 A1* 8/2011 Cheng et al. 62/3.6
 2011/0280011 A1* 11/2011 Crabb et al. 362/230
 2012/0063088 A1* 3/2012 Fu et al. 361/697
 2012/0114500 A1* 5/2012 Ye 416/244 R
 2012/0241135 A1* 9/2012 Takigawa et al. 165/104.34
 2012/0307501 A1 12/2012 Tankala et al.
 2012/0314430 A1 12/2012 McCanless
 2013/0094225 A1 4/2013 Leichner
 2013/0133710 A1* 5/2013 Ludwig 136/200
 2013/0220582 A1* 8/2013 Eriksen 165/104.31
 2013/0239475 A1* 9/2013 Crabb et al. 47/58.1 LS
 2014/0049964 A1 2/2014 McClure et al.

FOREIGN PATENT DOCUMENTS

WO 2013/059298 A1 4/2013
 WO 2013/070429 A1 5/2013
 WO 2013/090536 A1 6/2013

OTHER PUBLICATIONS

Adams, Jake, "MakersLED Aims to Bring More Performance and Features to DIY LED Kits", published: Nov. 14, 2011, Document available at: <http://reefbuilders.com/2011/11/14/makersled-bring-performance-diy-led-kits/>, Reef Builders, Retrieved on Nov. 26, 2013, 3 pages.

Bentley, Clive, "Hands On with the MakersLED DIY Heatsink & Fixture", published: Aug. 27, 2012, Document available at: <http://reefbuilders.com/2012/08/27/hands-makersled-diy-heatsink/>, Reef Builders, Retrieved on Nov. 26, 2013, 6 pages.

McClure, Andy, "MakersLED Heatsink for High Power Star LEDs", [Video File], published: Mar. 7, 2012, Retrieved from: http://www.youtube.com/watch?v=ShzNvYljRDI&feature=player_embedded, on Nov. 26, 2013, 2 pages.

* cited by examiner

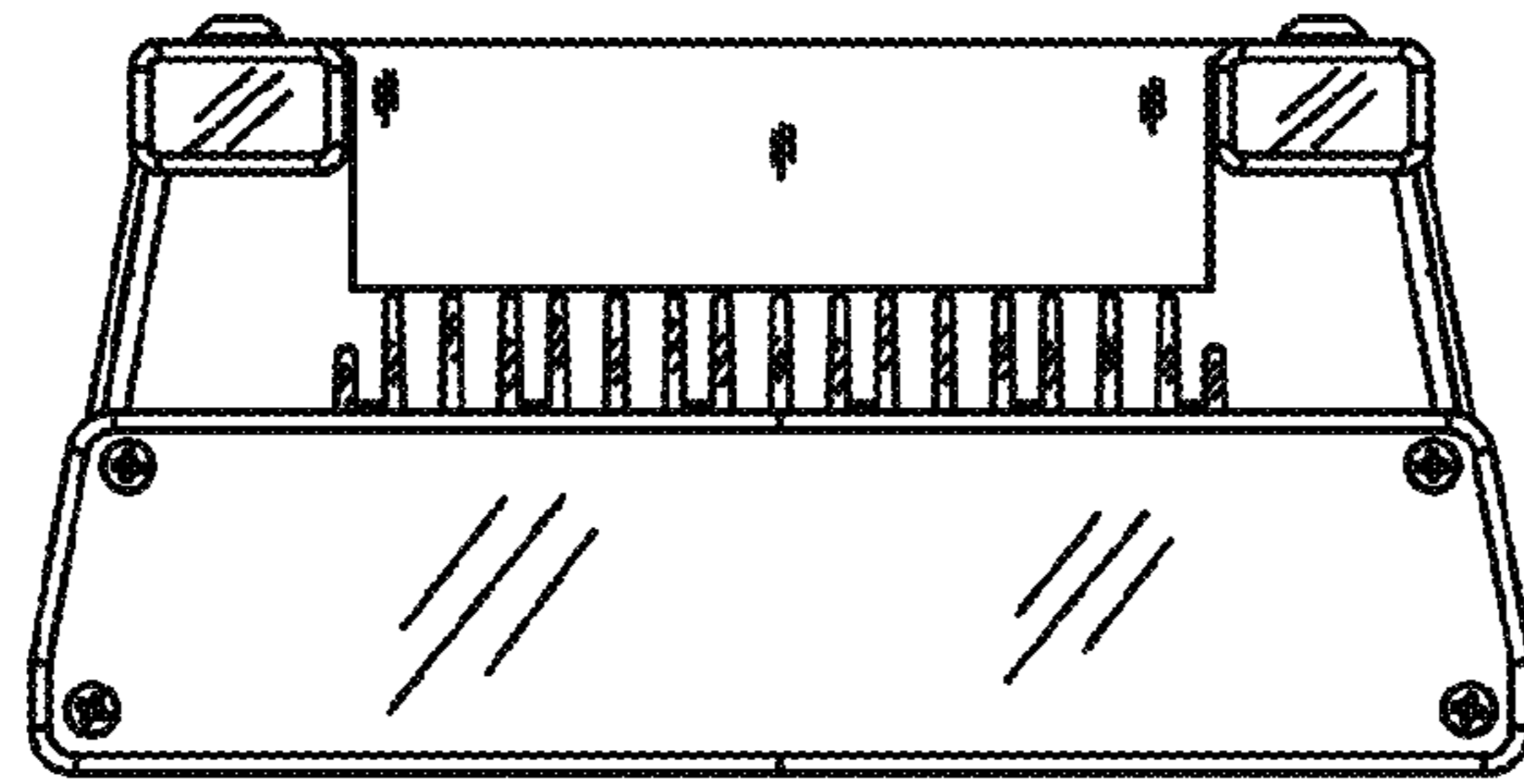


Fig. 1

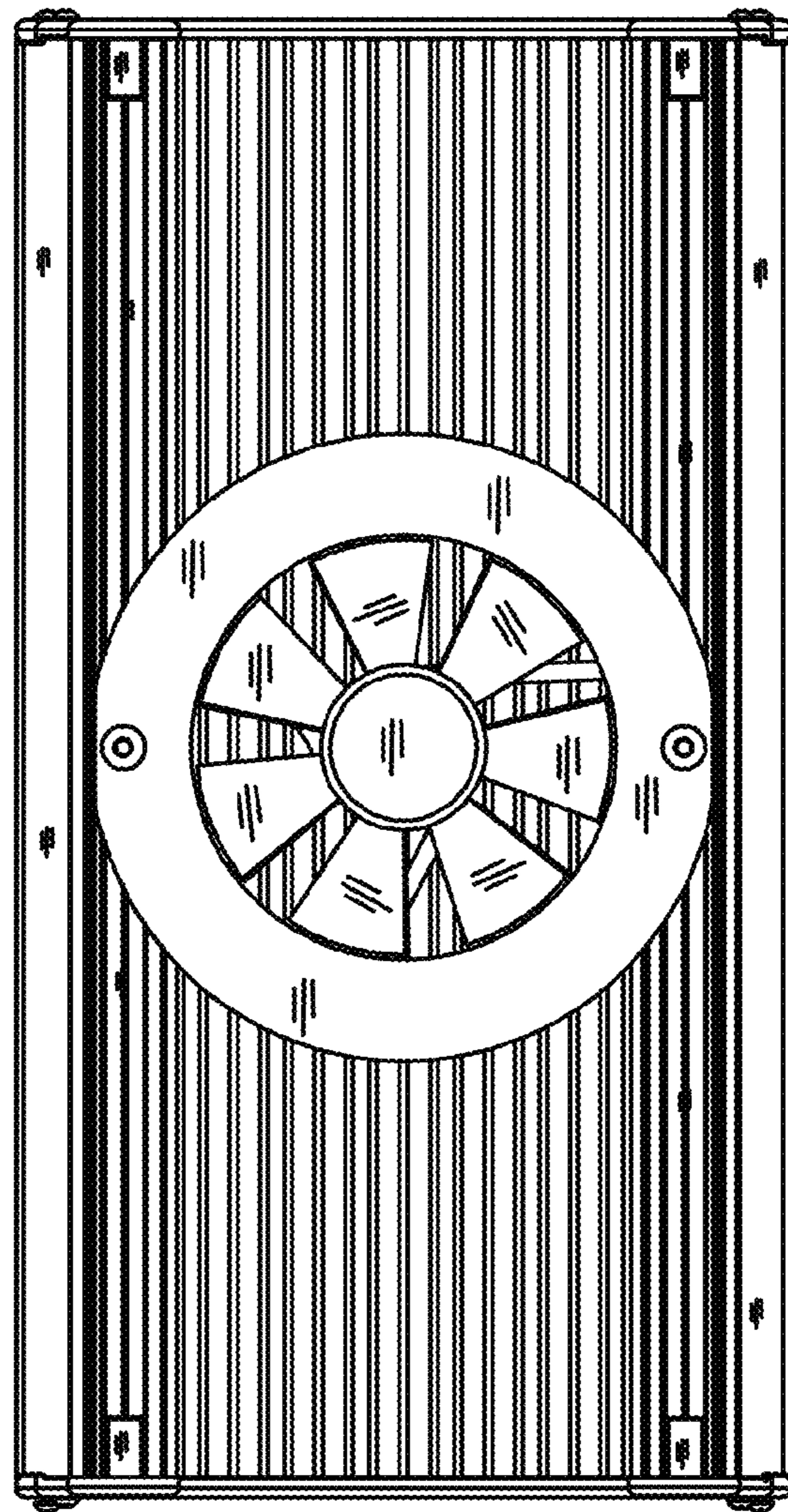


Fig. 2

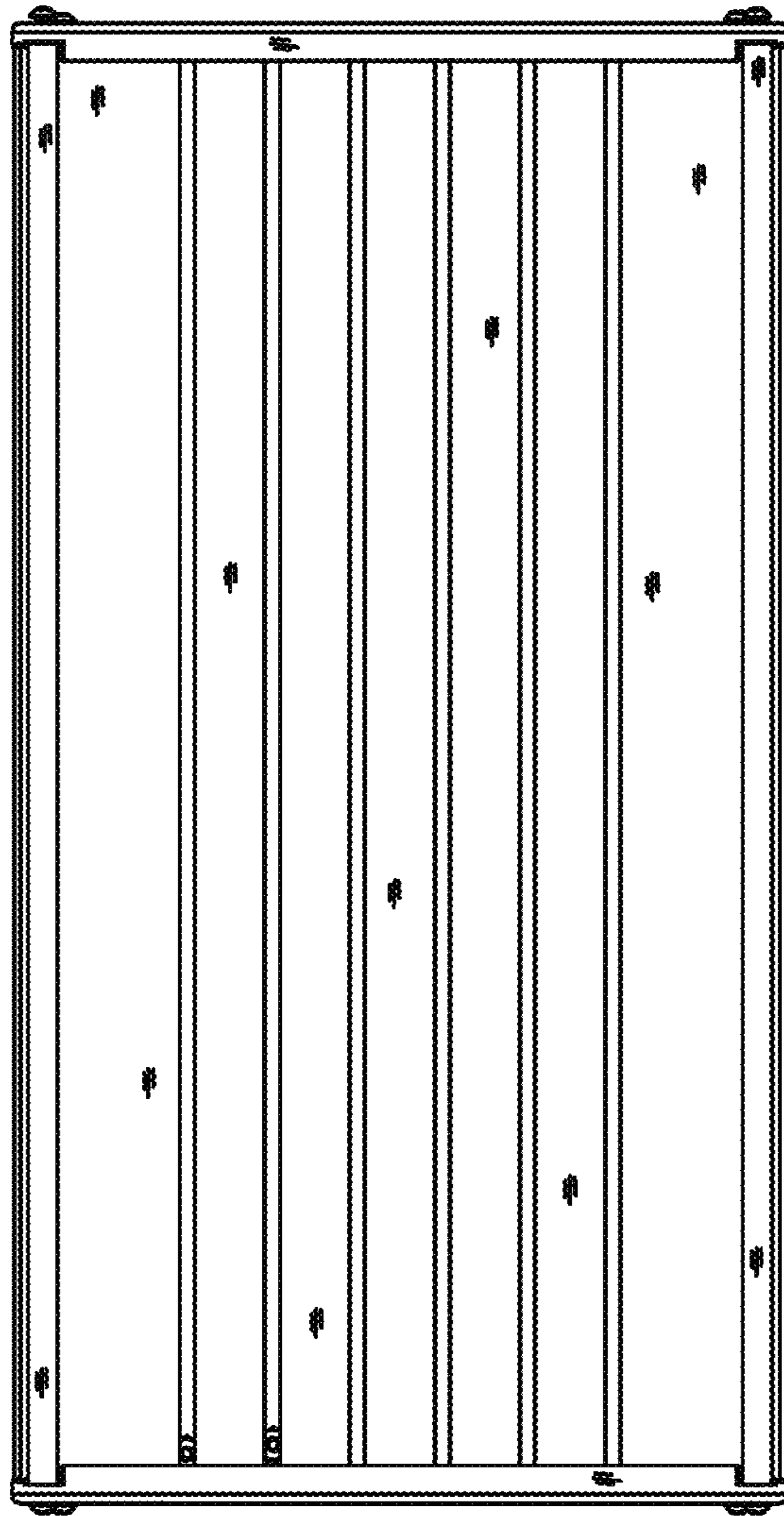


Fig. 3

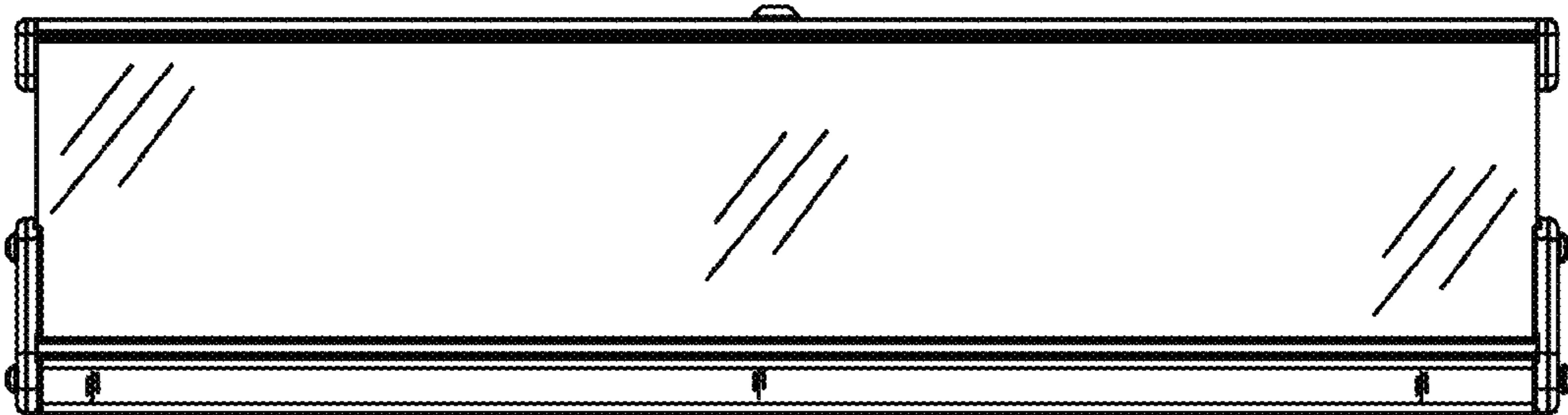


Fig. 4

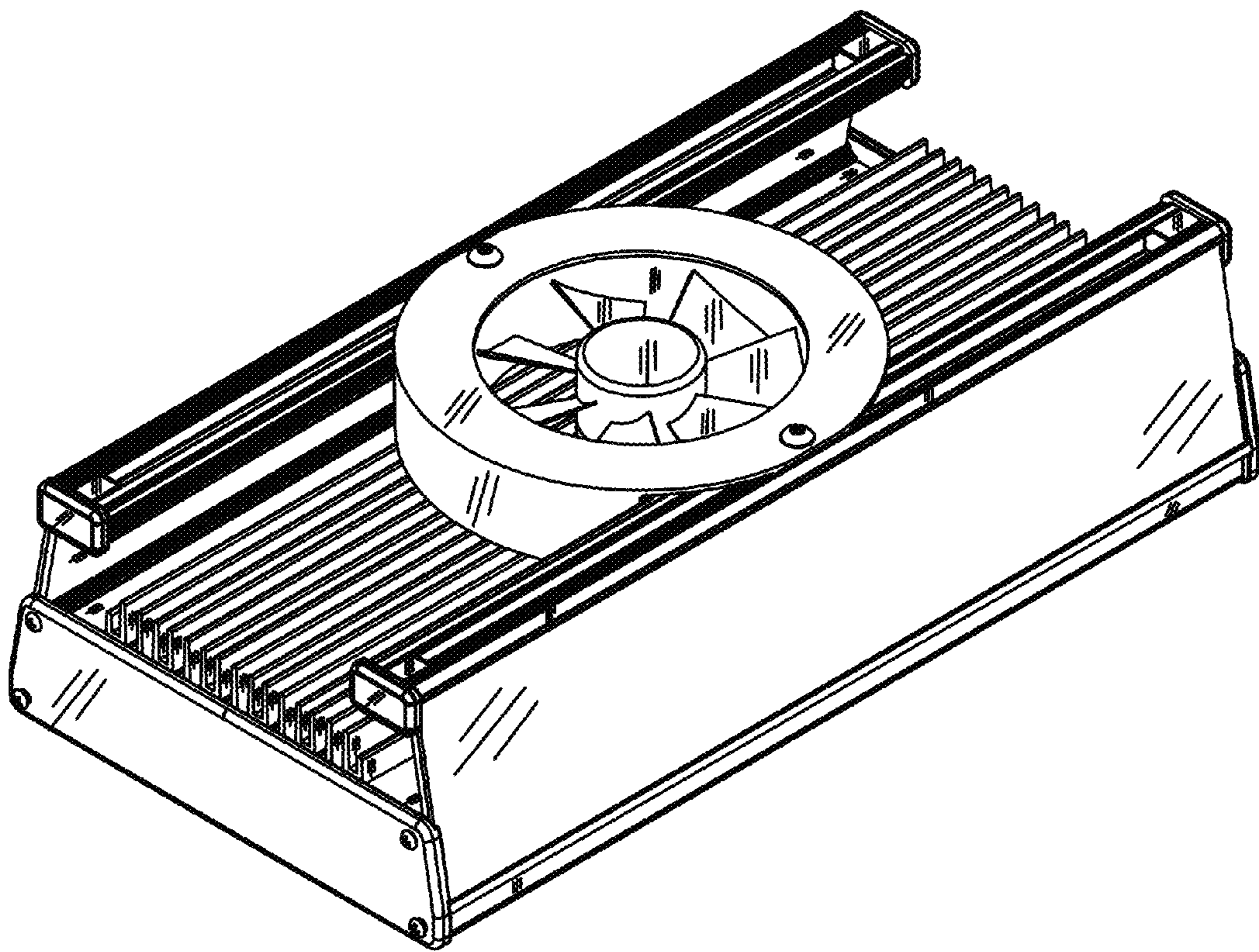


Fig. 5

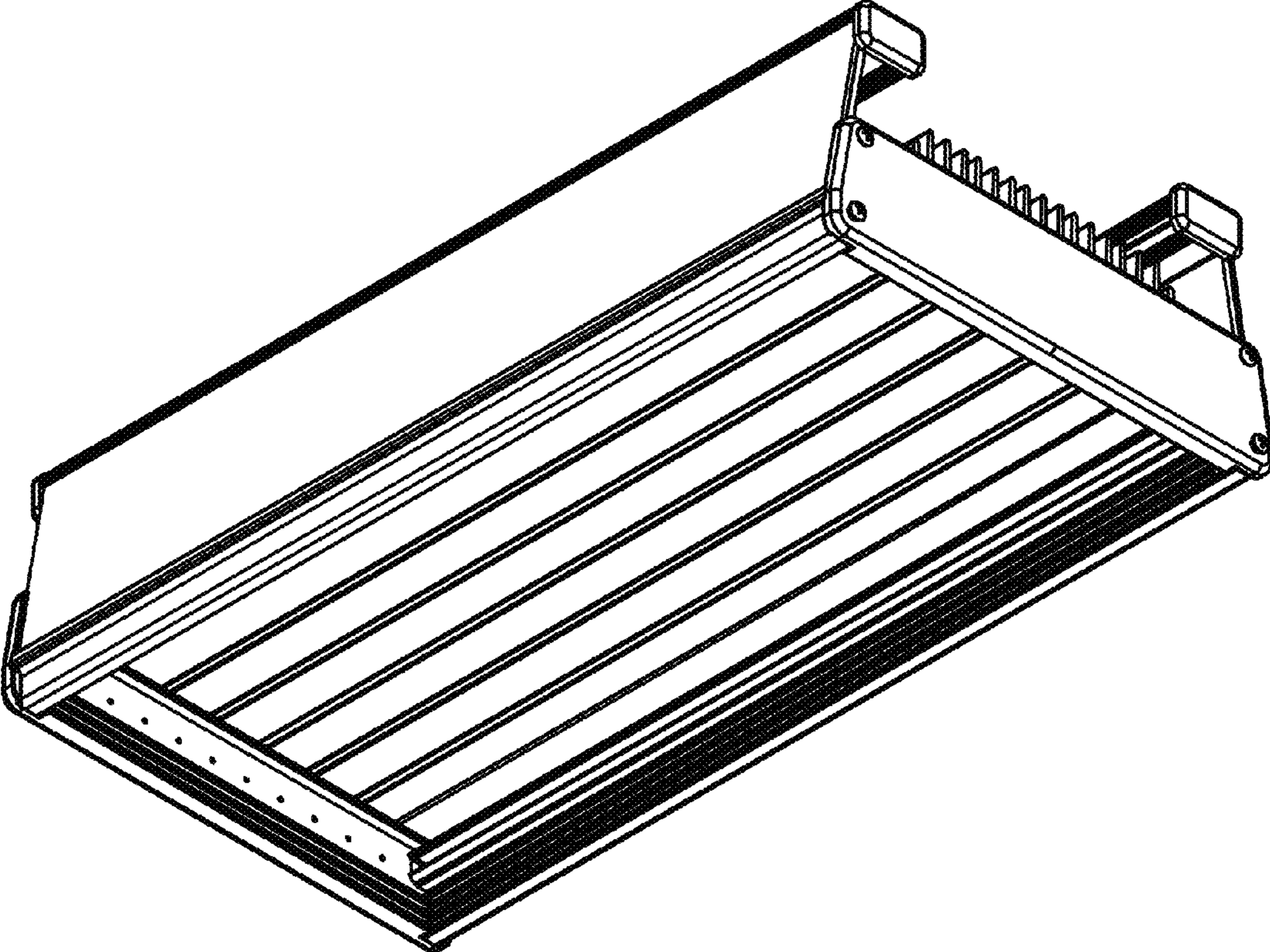


Fig. 6