



US00D717985S

(12) **United States Design Patent**
Kunzendorf

(10) **Patent No.:** **US D717,985 S**
(45) **Date of Patent:** **** Nov. 18, 2014**

(54) **FLASHLIGHT**

D692,604 S * 10/2013 Kamm D26/49
D693,042 S * 11/2013 Wu D26/49
D698,961 S * 2/2014 Dalton D26/49

(71) Applicant: **LED Lenser Corp. Ltd.**, Yangjiang
(CN)

OTHER PUBLICATIONS

(72) Inventor: **Andre Kunzendorf**, Wuppertal (DE)

EM Design Application Nos. 002025270-0003, 002025270-0009,
002025270-0004 and 002025270-0002, filed Dec. 4, 2012 (26
pages).

(73) Assignee: **LED Lenser Corp. Ltd.**, Guangdong
Province (CN)

* cited by examiner

(**) Term: **14 Years**

Primary Examiner — Ian Simmons

(21) Appl. No.: **29/453,933**

Assistant Examiner — Carissa C Fitts

(22) Filed: **May 3, 2013**

(74) *Attorney, Agent, or Firm* — Alston & Bird LLP

(51) **LOC (10) Cl.** **26-02**

(52) **U.S. Cl.**
USPC **D26/49**

(58) **Field of Classification Search**
USPC D26/37, 46, 49, 44, 40, 42, 113;
362/157, 158, 183, 184, 194–196,
362/202–208

(57) **CLAIM**

I claim the ornamental design for a flashlight, as shown and
described.

See application file for complete search history.

DESCRIPTION

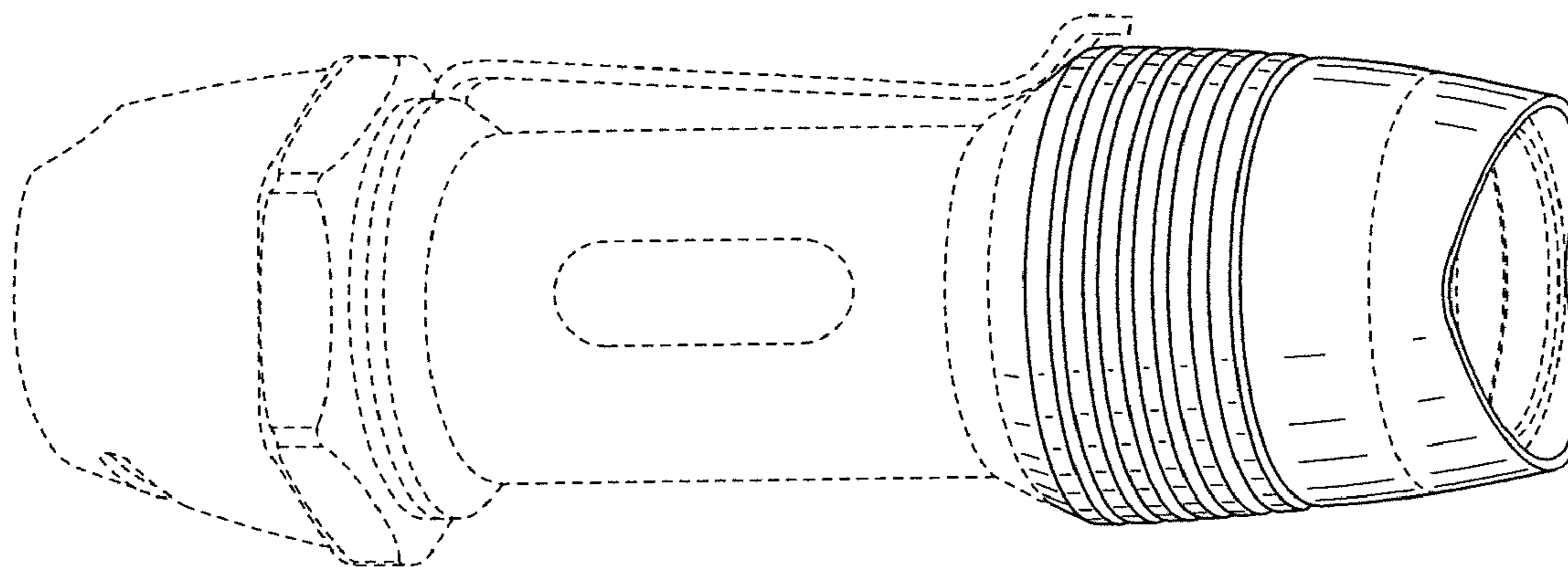
(56) **References Cited**

FIG. 1 is a perspective view of a flashlight according to my
new design;
FIG. 2 is a left side elevation view thereof;
FIG. 3 is a top plan view thereof;
FIG. 4 is a bottom plan view thereof;
FIG. 5 is a front elevation view thereof; and,
FIG. 6 is a rear elevation view thereof.
Broken lines immediately adjacent shaded areas represent
bounds of the claimed design. All other broken lines are
directed to unclaimed features. The broken lines form no part
of the claimed design.

U.S. PATENT DOCUMENTS

D507,839 S * 7/2005 Man D26/37
D532,138 S * 11/2006 Wang et al. D26/49
D549,369 S * 8/2007 DeBrunner D26/37
D578,236 S * 10/2008 Dalton D26/49
D629,940 S * 12/2010 Osterhout D26/49
D641,901 S * 7/2011 Opolka D26/49
D647,232 S * 10/2011 Liu D26/49
D647,654 S * 10/2011 Li D26/49
D683,877 S * 6/2013 Brands et al. D26/49
D688,402 S * 8/2013 Roshak et al. D26/49

1 Claim, 4 Drawing Sheets



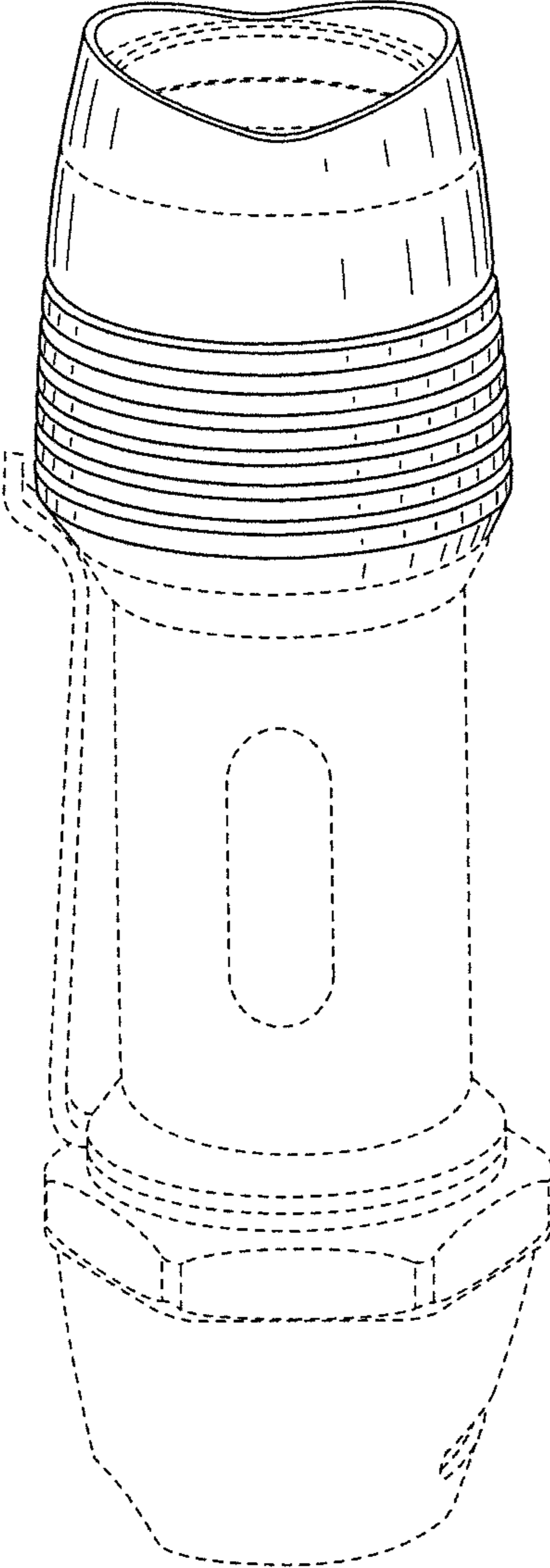


FIG. 1

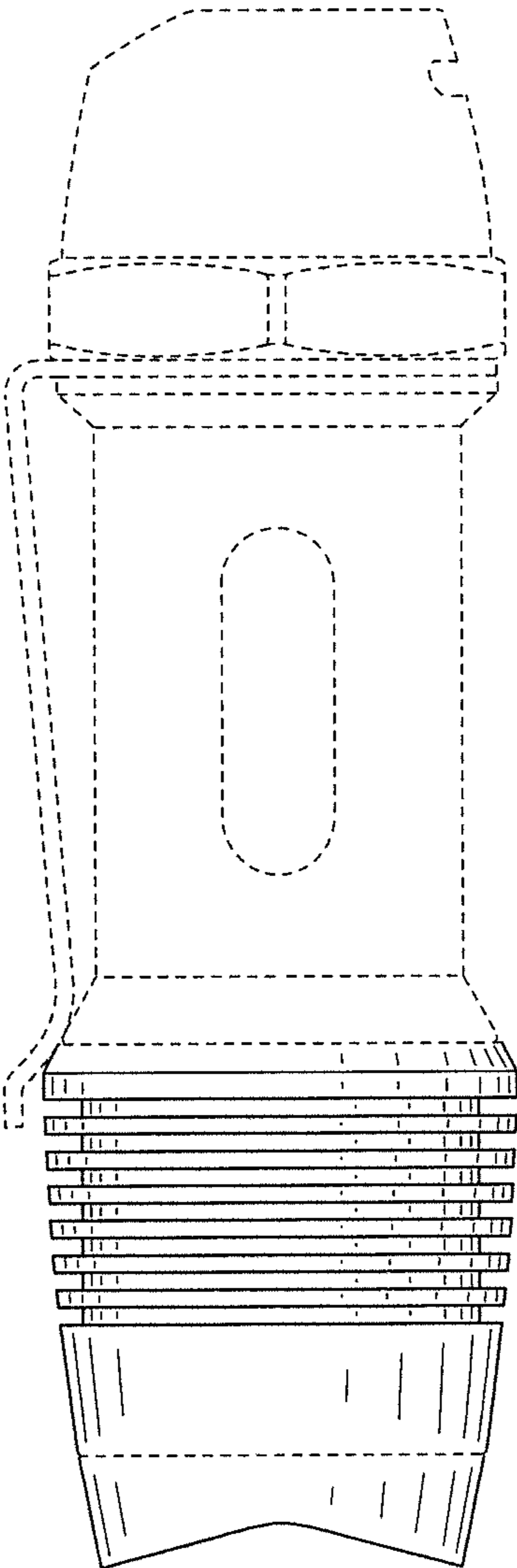


FIG. 2

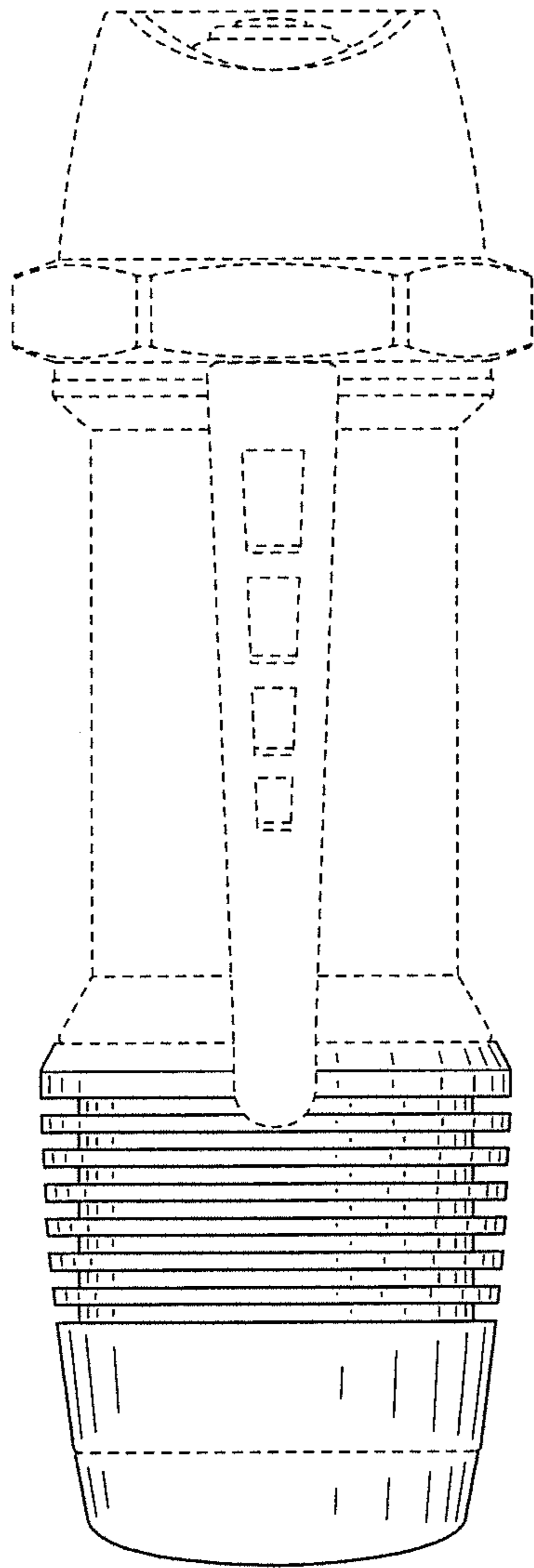


FIG. 3

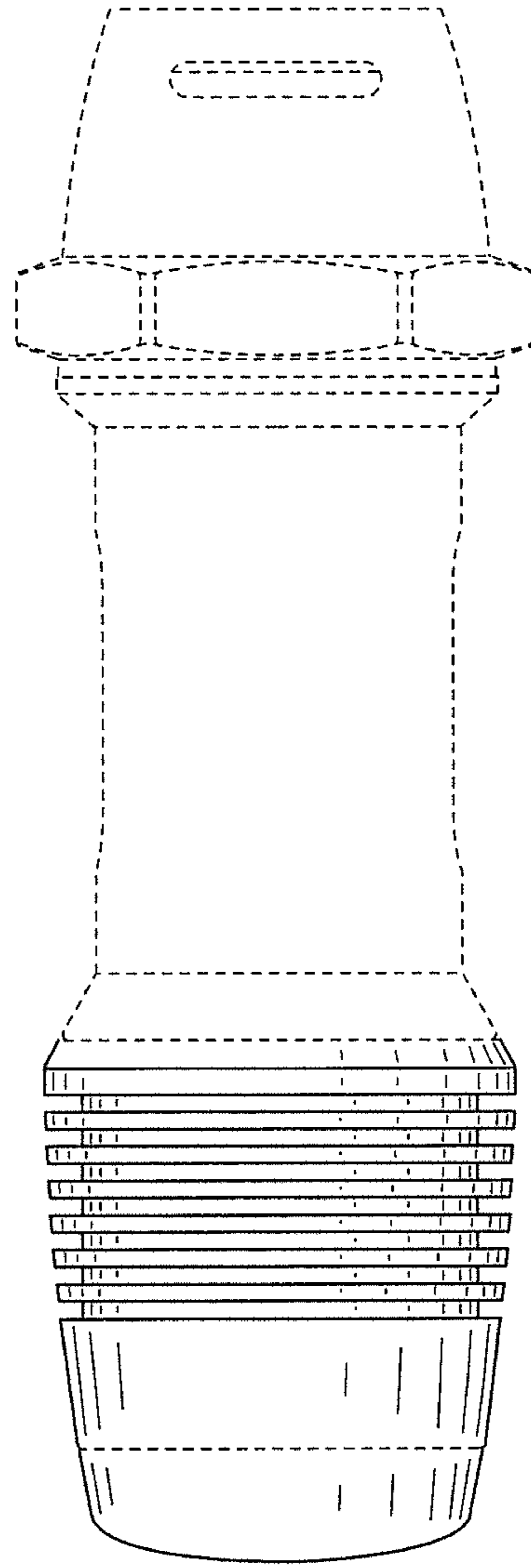


FIG. 4

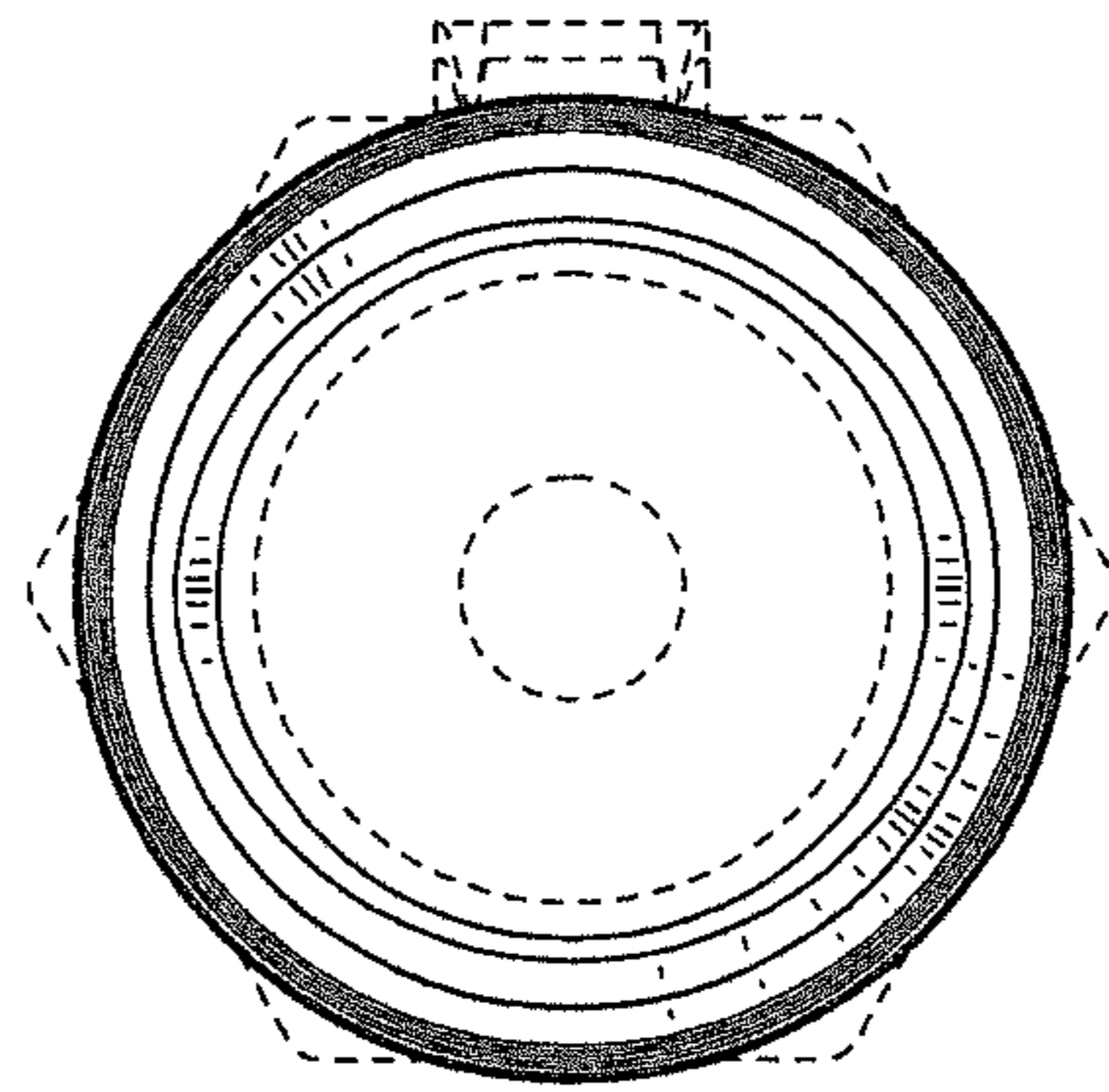


FIG. 5

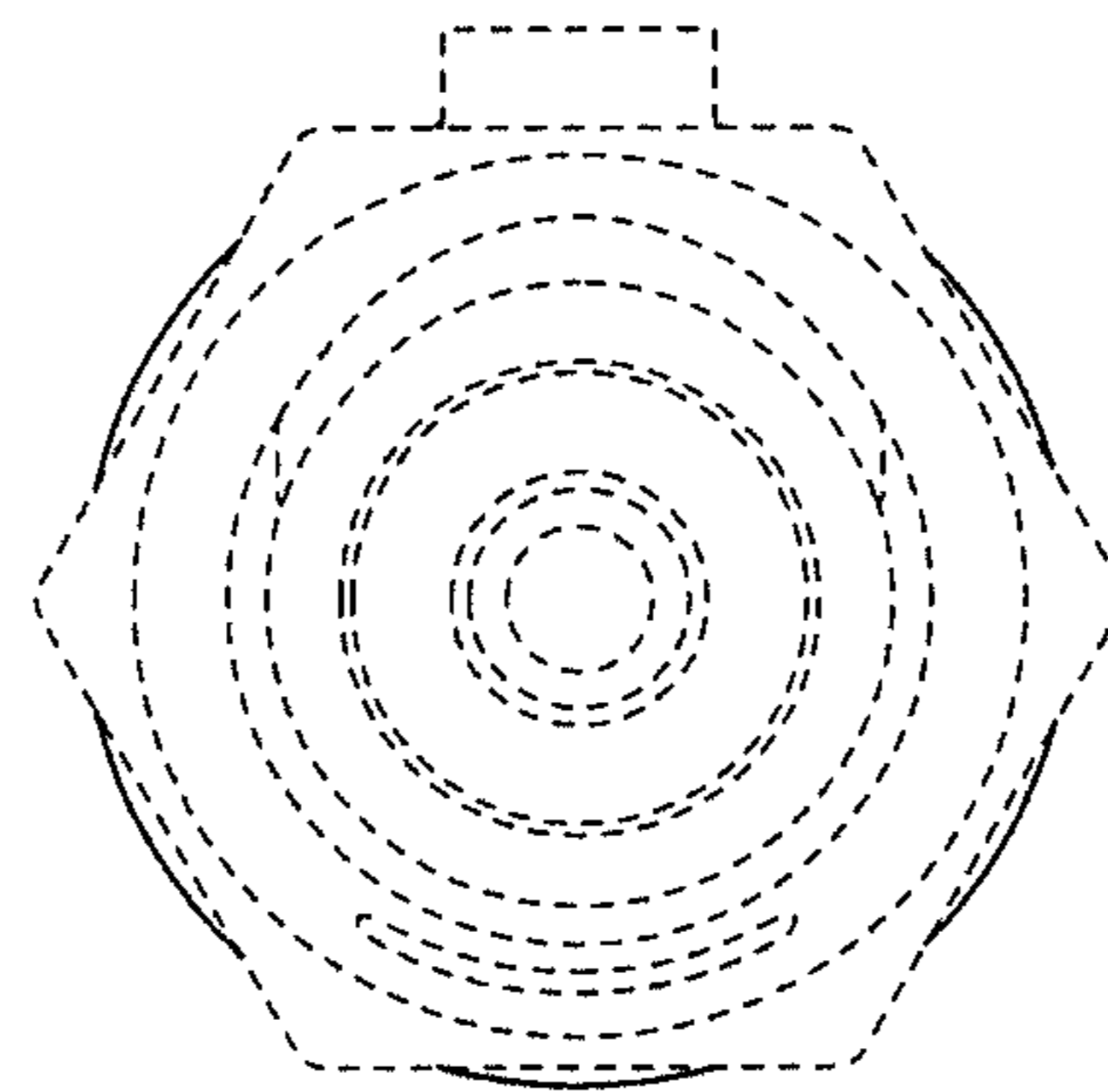


FIG. 6