

US00D717974S

(12) **United States Design Patent**
Futschik et al.

(10) **Patent No.:** **US D717,974 S**

(45) **Date of Patent:** **** Nov. 18, 2014**

(54) **HEADLIGHT FOR A VEHICLE**

Primary Examiner — Marcus Jackson

(74) *Attorney, Agent, or Firm* — Crowell & Moring LLP

(75) Inventors: **Hans-Dieter Futschik**, Stuttgart (DE);
Stefan Handt, Stuttgart (DE); **Frank Pfisterer**, Stuttgart (DE); **Juergen Wiesen**, Stuttgart (DE)

(57) **CLAIM**

The ornamental design for a headlight for a vehicle, as shown and described.

(73) Assignee: **Daimler AG**, Stuttgart (DE)

(**) Term: **14 Years**

(21) Appl. No.: **29/423,337**

(22) Filed: **May 31, 2012**

(30) **Foreign Application Priority Data**

Dec. 1, 2011 (DE) 40 2011 005 852

(51) **LOC (10) Cl.** **26-06**

(52) **U.S. Cl.**
USPC **D26/28**

(58) **Field of Classification Search**
USPC D26/28-36; 362/459-468, 475-478,
362/485-487

See application file for complete search history.

(56) **References Cited**

U.S. PATENT DOCUMENTS

D528,681 S *	9/2006	Nakahara	D26/28
D528,685 S *	9/2006	Yoshida	D26/28
D544,114 S *	6/2007	Ohta	D26/28
D544,614 S *	6/2007	Markefka	D26/28
D549,857 S *	8/2007	Lin	D26/28
D561,358 S *	2/2008	Tachibana	D26/28

* cited by examiner

DESCRIPTION

This application contains subject matter related to the following co-pending U.S. design patent applications:

Application Ser. No. 29/423,329, filed herewith and entitled "Vehicle, Toy, and/or Replicas Thereof";

Application Ser. No. 29/423,330, filed herewith and entitled "Front Portion of a Vehicle, Toy, and/or Replicas Thereof"; and,

Application Ser. No. 29/423,338, filed herewith and entitled "Headlight for a Vehicle".

FIG. 1 is a right perspective view of a first embodiment of a headlight for a vehicle according to our design;

FIG. 2 is a front view thereof;

FIG. 3 is a right side view thereof; and

FIG. 4 is a top view thereof.

FIG. 5 is a left perspective view of a second embodiment of the headlight for a vehicle according to our design;

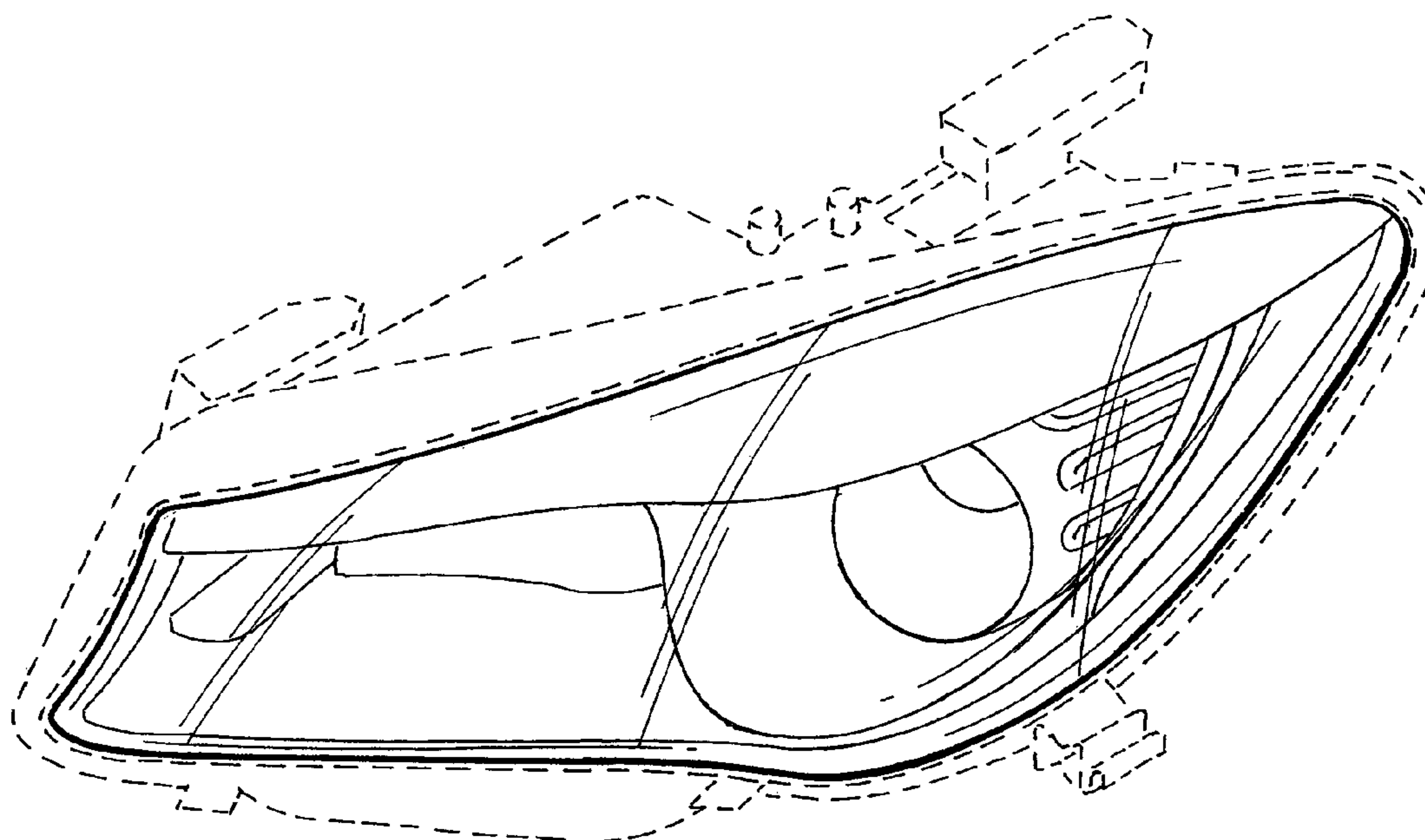
FIG. 6 is a front view thereof;

FIG. 7 is a left side view thereof; and,

FIG. 8 is a top view thereof.

The broken lines are for illustrative purposes only and form no part of the claimed design. Also enclosed is a set of photographs of an embodiment of the design.

1 Claim, 4 Drawing Sheets



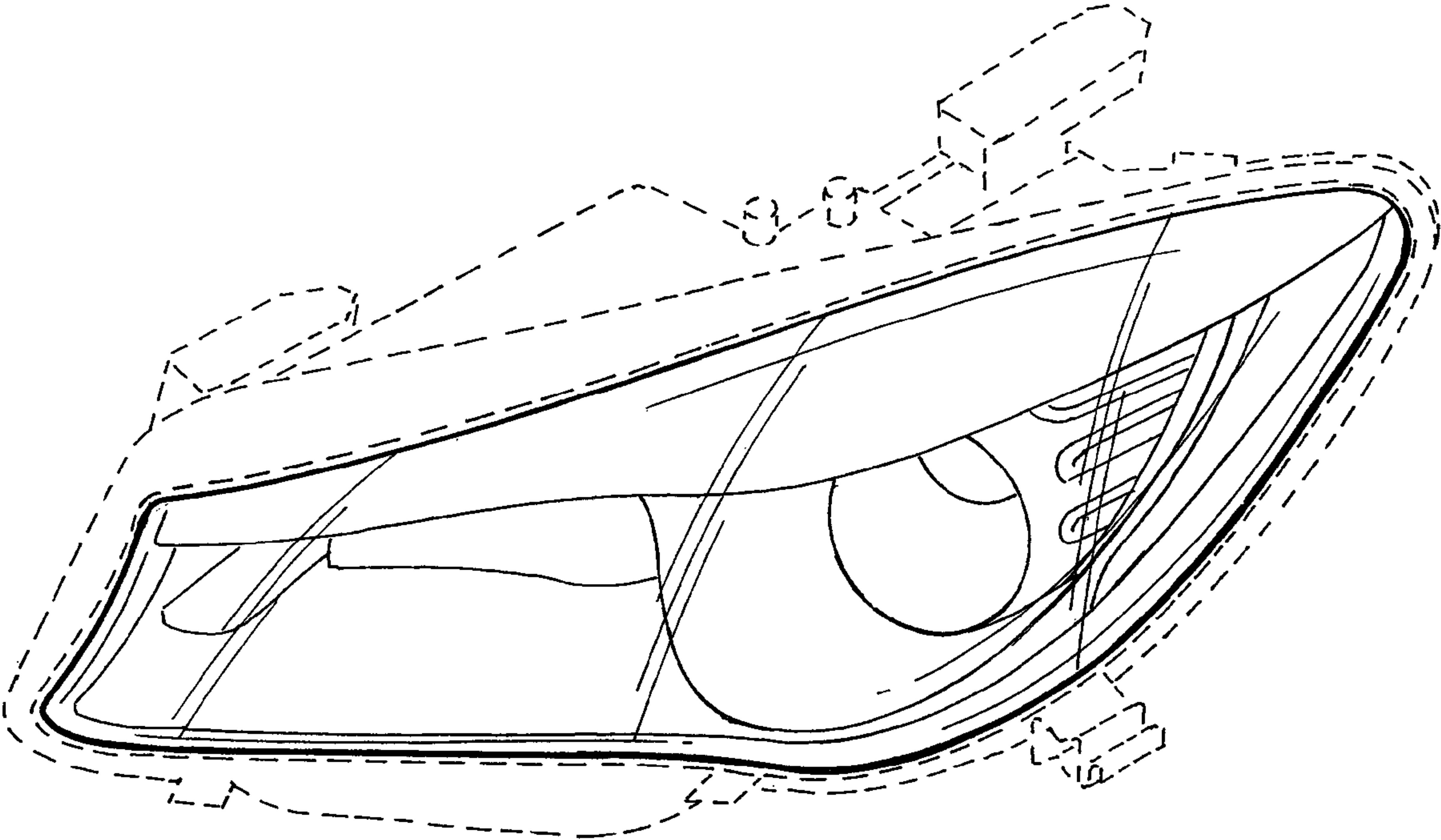


FIG. 1

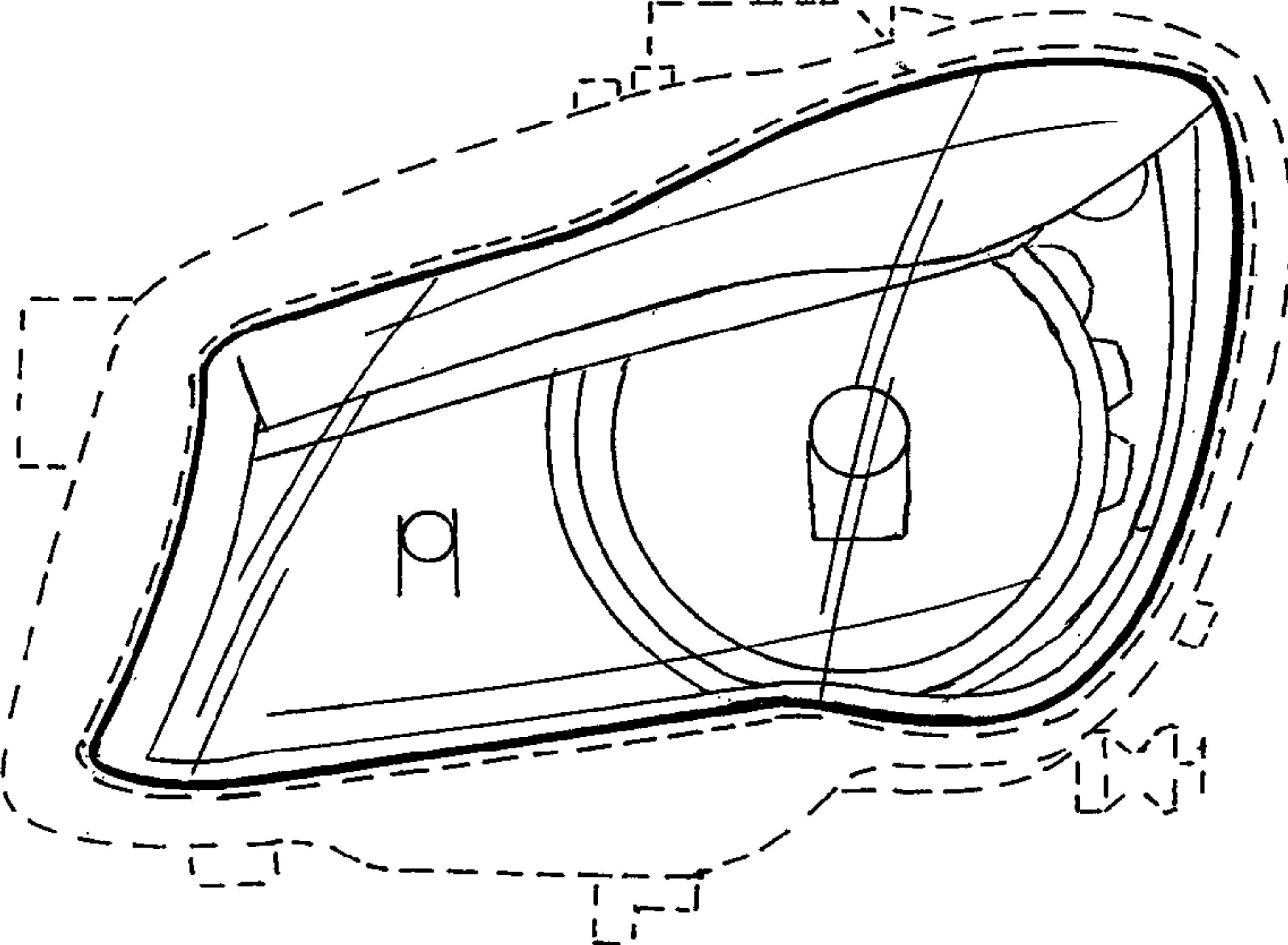


FIG. 2

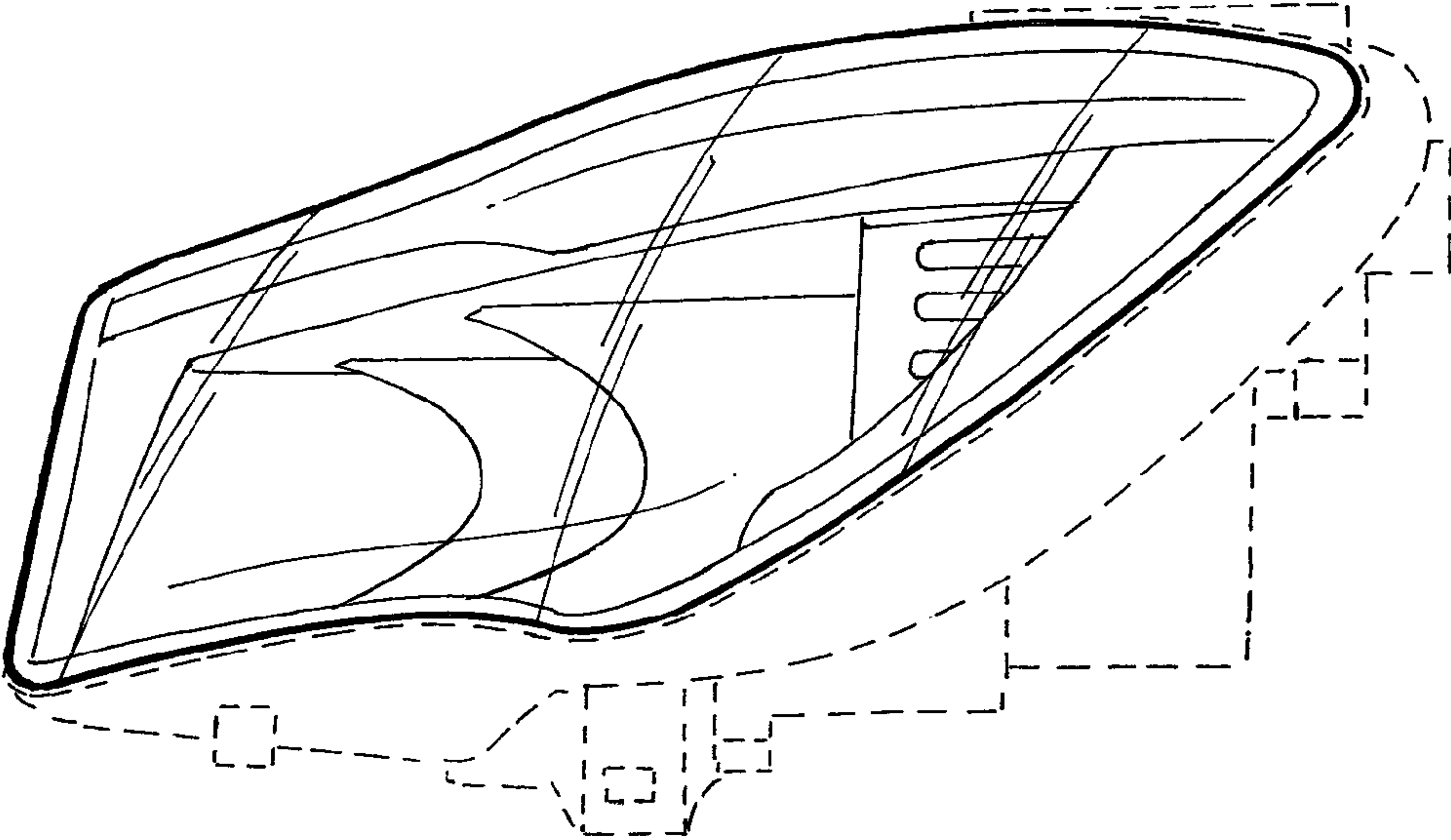


FIG. 3

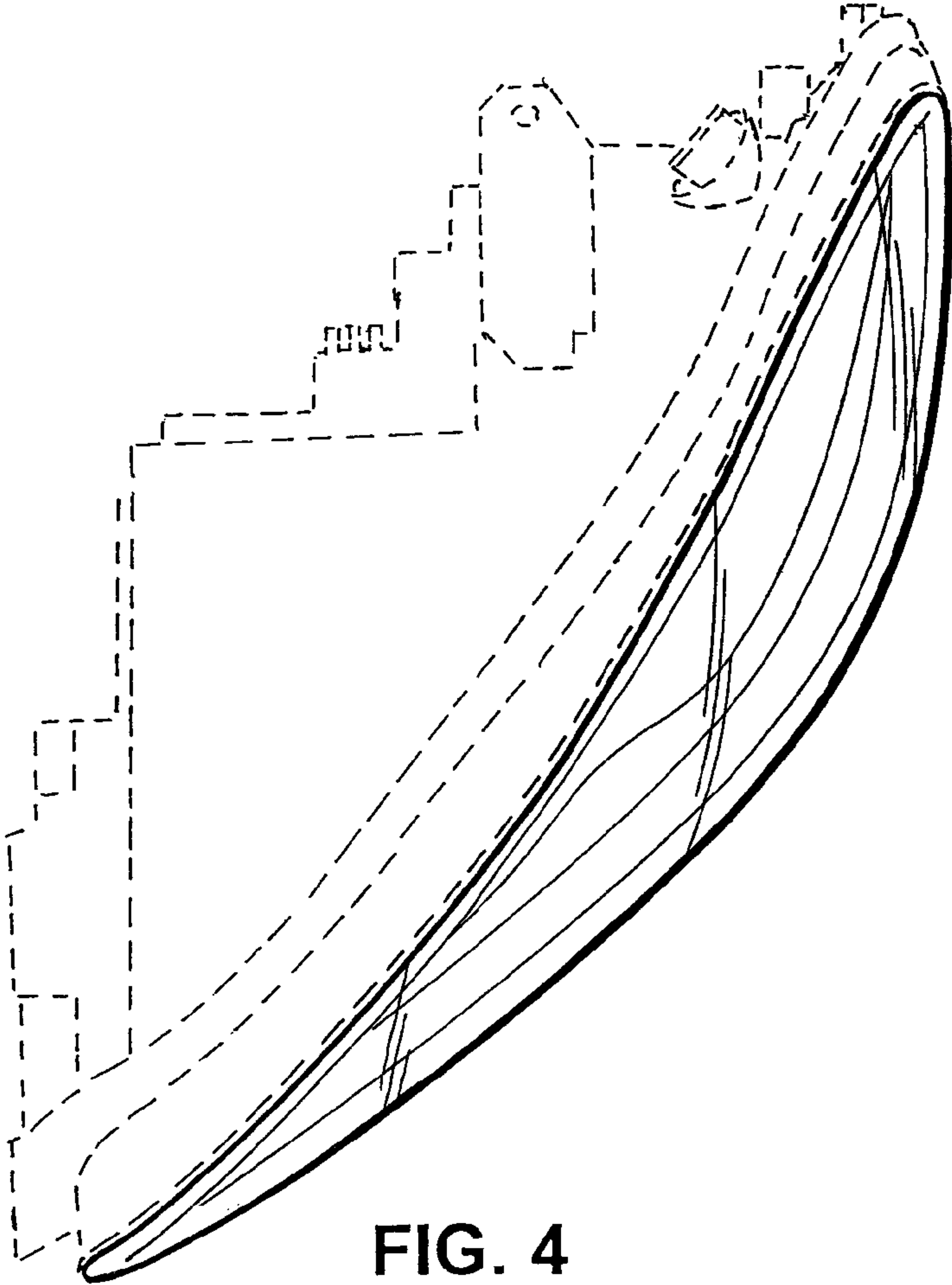


FIG. 4

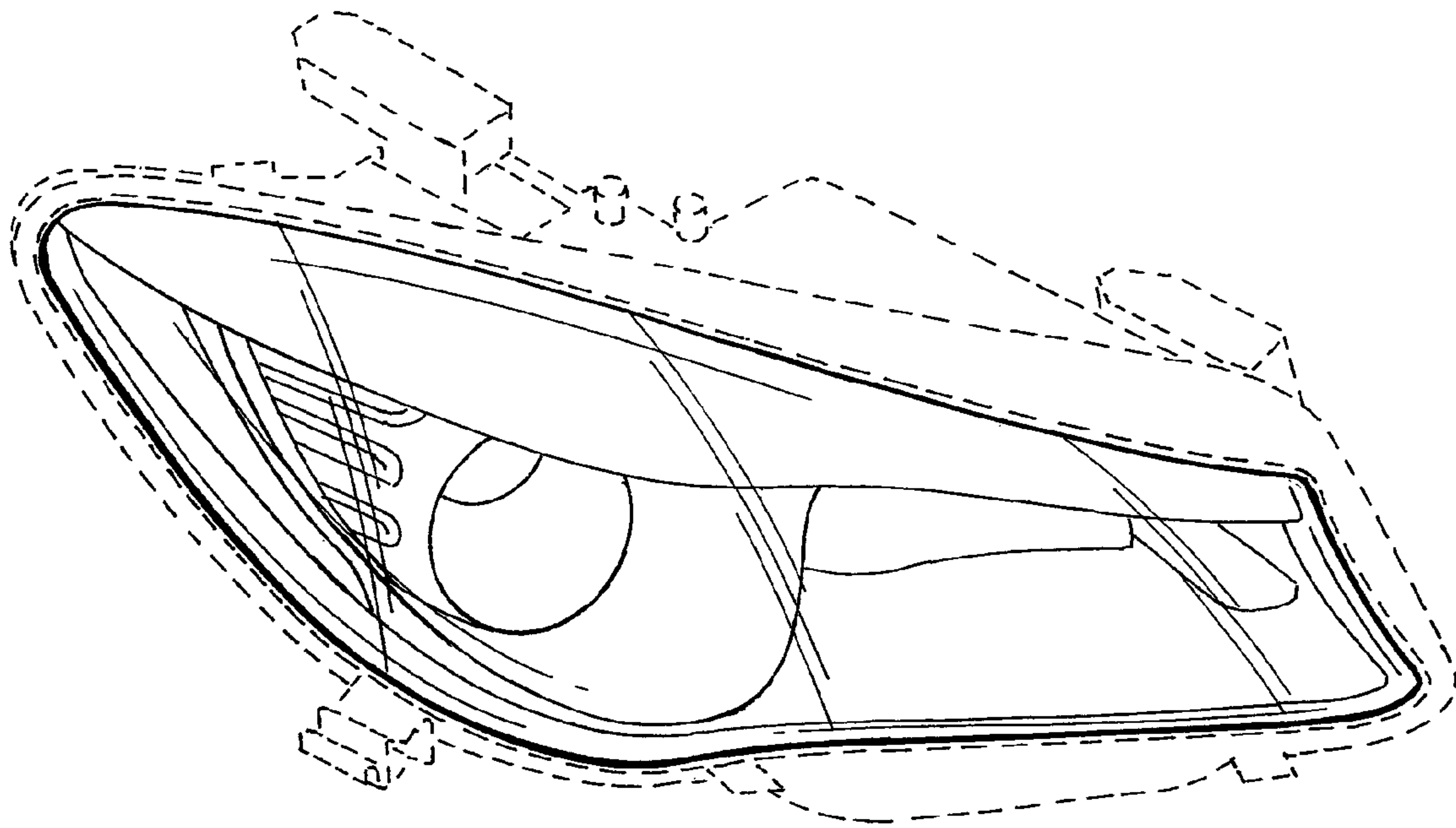


FIG. 5

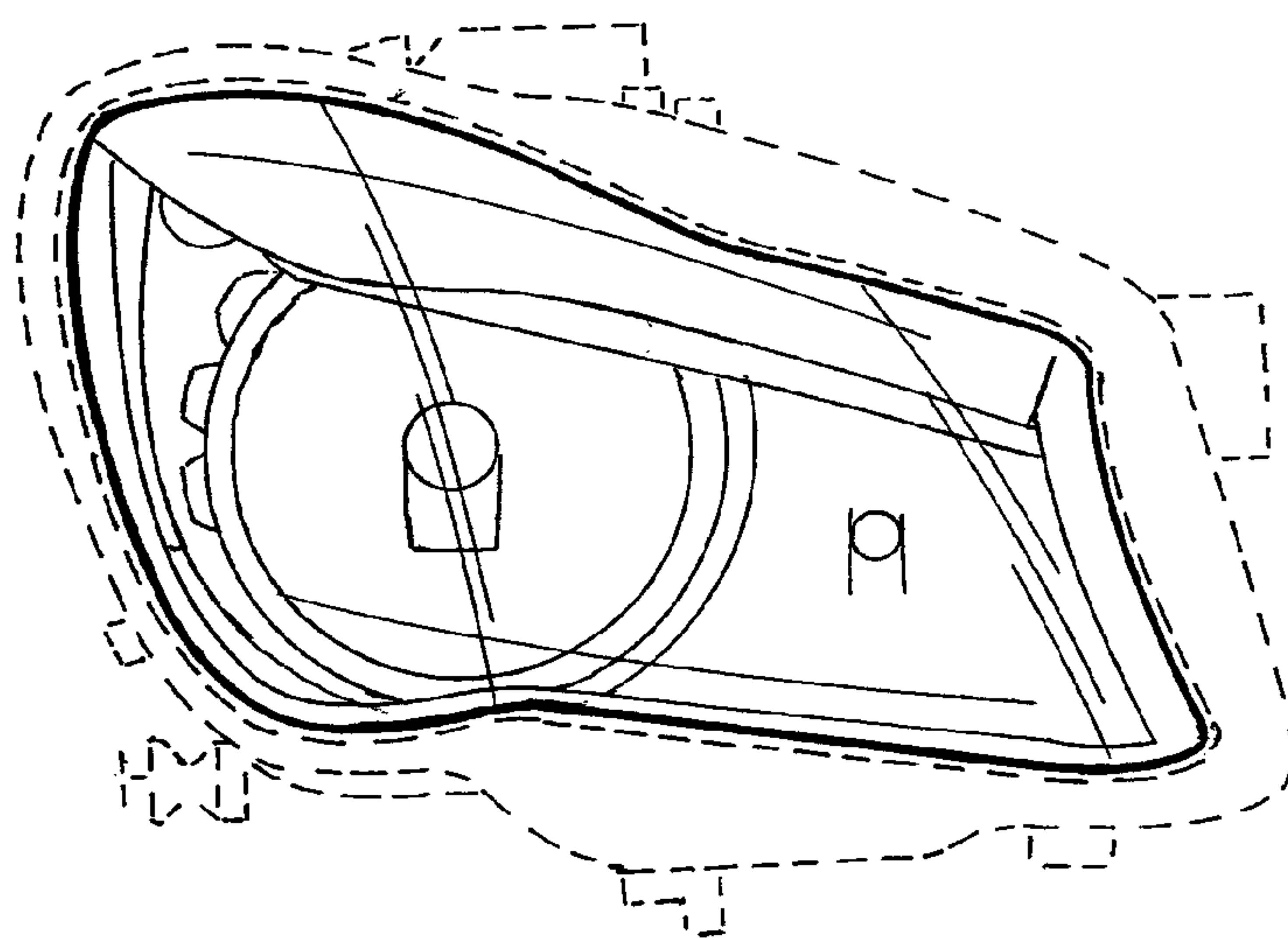


FIG. 6

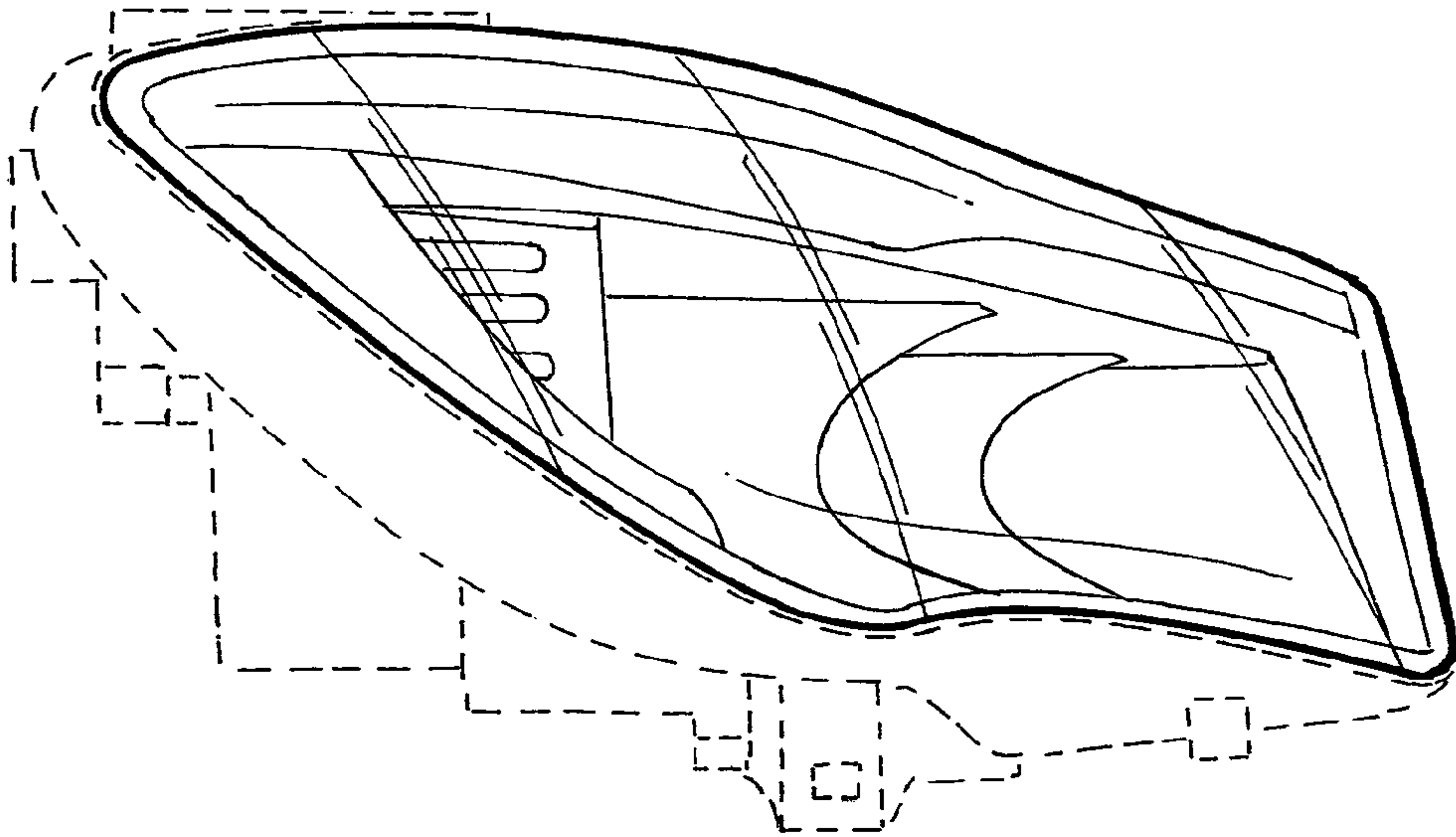


FIG. 7

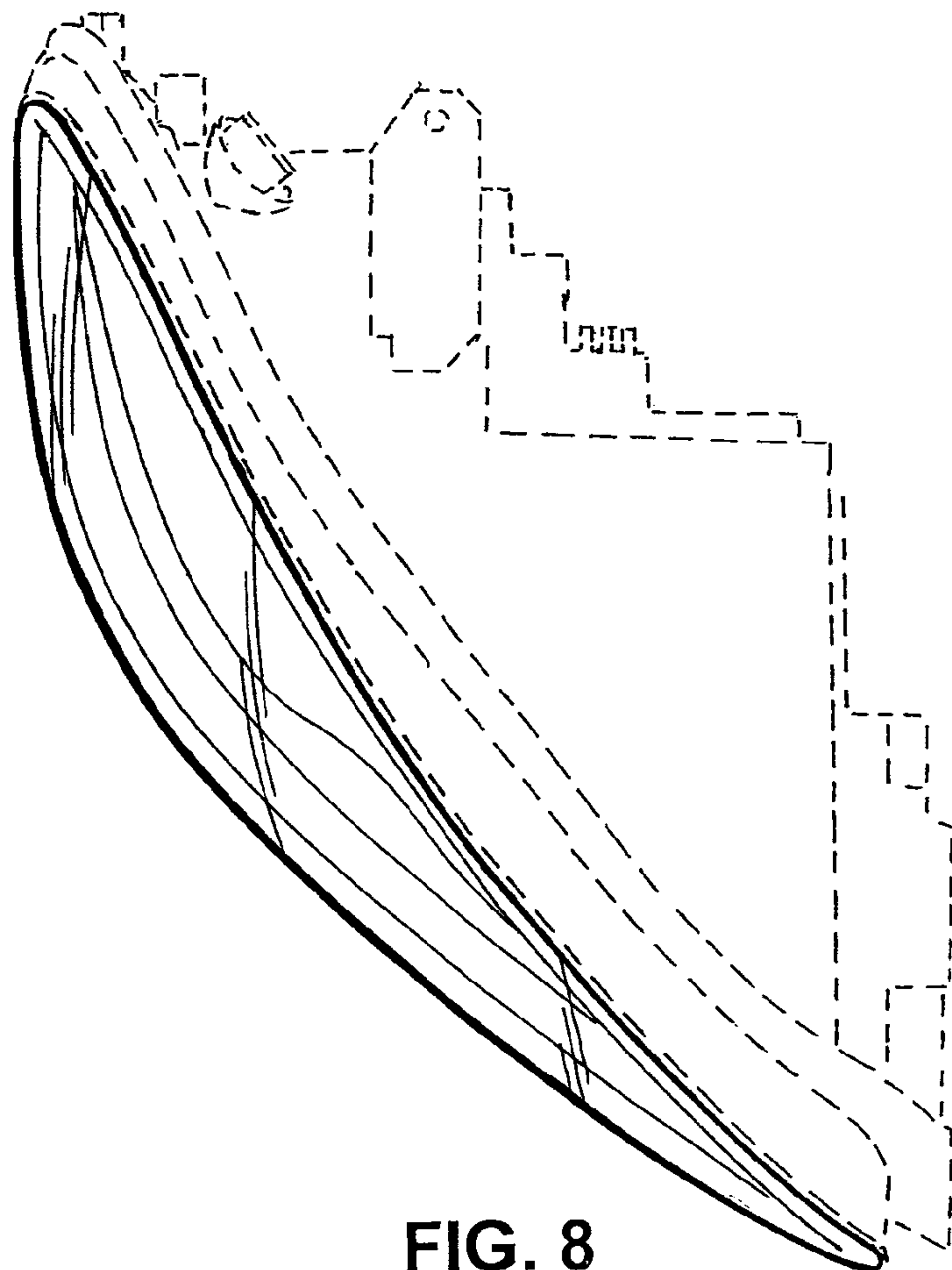


FIG. 8