



US00D717970S

(12) **United States Design Patent**
MacDonald

(10) **Patent No.:** **US D717,970 S**
(45) **Date of Patent:** **** Nov. 18, 2014**

- (54) **SURFACE OF A LANDSCAPING BLOCK**
- (71) Applicant: **Robert A. MacDonald**, Plymouth, MN (US)
- (72) Inventor: **Robert A. MacDonald**, Plymouth, MN (US)
- (73) Assignee: **Keystone Retaining Wall Systems LLC**, West Chester, OH (US)

1,379,965 A	5/1921	Cleland
2,994,162 A	8/1961	Frantz
3,391,507 A	7/1968	Downing
4,182,089 A	1/1980	Cook
4,253,636 A	3/1981	Grady et al.
D307,056 S *	4/1990	Sakata D25/114
5,078,354 A	1/1992	Kim
5,131,202 A	7/1992	Ball
5,398,474 A	3/1995	McClinton
5,548,936 A	8/1996	McClinton et al.
6,035,599 A	3/2000	Sonnentag

(Continued)

- (**) Term: **14 Years**
- (21) Appl. No.: **29/476,780**
- (22) Filed: **Dec. 17, 2013**

FOREIGN PATENT DOCUMENTS

FR	2 550 568 A3	A3	2/1985
WO	WO 94/23136	A2	10/1994
WO	WO 94/23136	A3	10/1994
WO	WO 2005/009707	A1	2/2005

Related U.S. Application Data

- (63) Continuation of application No. 13/647,083, filed on Oct. 8, 2012, now Pat. No. 8,607,522, which is a continuation of application No. 12/363,231, filed on Jan. 30, 2009, now abandoned.
- (51) **LOC (10) Cl.** **25-01**
- (52) **U.S. Cl.**
USPC **D25/113**
- (58) **Field of Classification Search**
CPC . E04C 1/395; E02D 29/025; E04B 2002/026;
B28B 7/183
USPC D25/113-118, 136, 138, 140, 151, 152,
D25/153, 156-162, 164; D21/484-491,
D21/499-504; 405/16, 284, 286;
52/503-505, 574, 575, 596-612;
404/27-42; D8/1
See application file for complete search history.

OTHER PUBLICATIONS

Abstract for FR 2 550 568 A3 (1 page).
(Continued)

Primary Examiner — Anhdao Doan
(74) *Attorney, Agent, or Firm* — Popovich, Wiles & O'Connell, P.A.

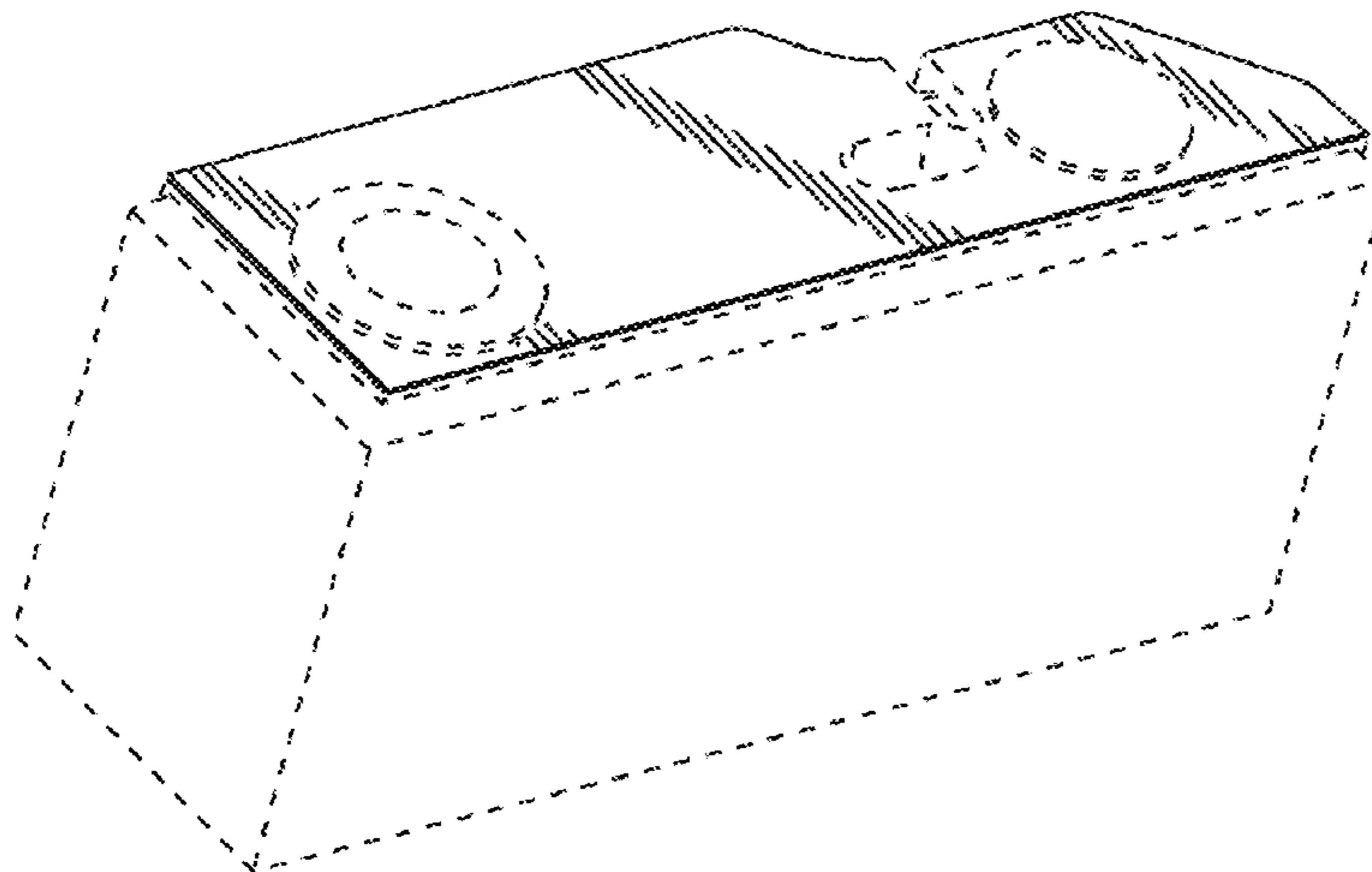
(57) **CLAIM**
The ornamental design for a surface of a landscaping block, as shown and described.

DESCRIPTION

FIG. 1 is a perspective view of an embodiment of a surface of a landscaping block according to my new design; FIG. 2 is a plan view thereof; and, FIG. 3 is a perspective view of an embodiment of a surface of a landscaping block according to my new design. The broken lines in the drawing views illustrate unclaimed portions of the landscaping block and form no part of the claimed design.

1 Claim, 2 Drawing Sheets

- (56) **References Cited**
U.S. PATENT DOCUMENTS
252,747 A 1/1882 Edwards
738,643 A 9/1903 Van Camp
1,170,936 A 2/1916 Royse



(56)

References Cited

U.S. PATENT DOCUMENTS

D460,830 S * 7/2002 Unger D25/113
6,912,823 B2 7/2005 MacDonald et al.
6,948,282 B2 * 9/2005 Bott 52/98
7,823,858 B2 11/2010 Matsufuji et al.
2005/0108973 A1 5/2005 Hammer et al.

2005/0252145 A1* 11/2005 MacDonald et al. 52/606
2009/0188196 A1 7/2009 MacDonald

OTHER PUBLICATIONS

International Search Report and Written Opinion of PCT Application
No. PCT/US2009/032637, dated Jun. 24, 2009, 13 pages total.

* cited by examiner

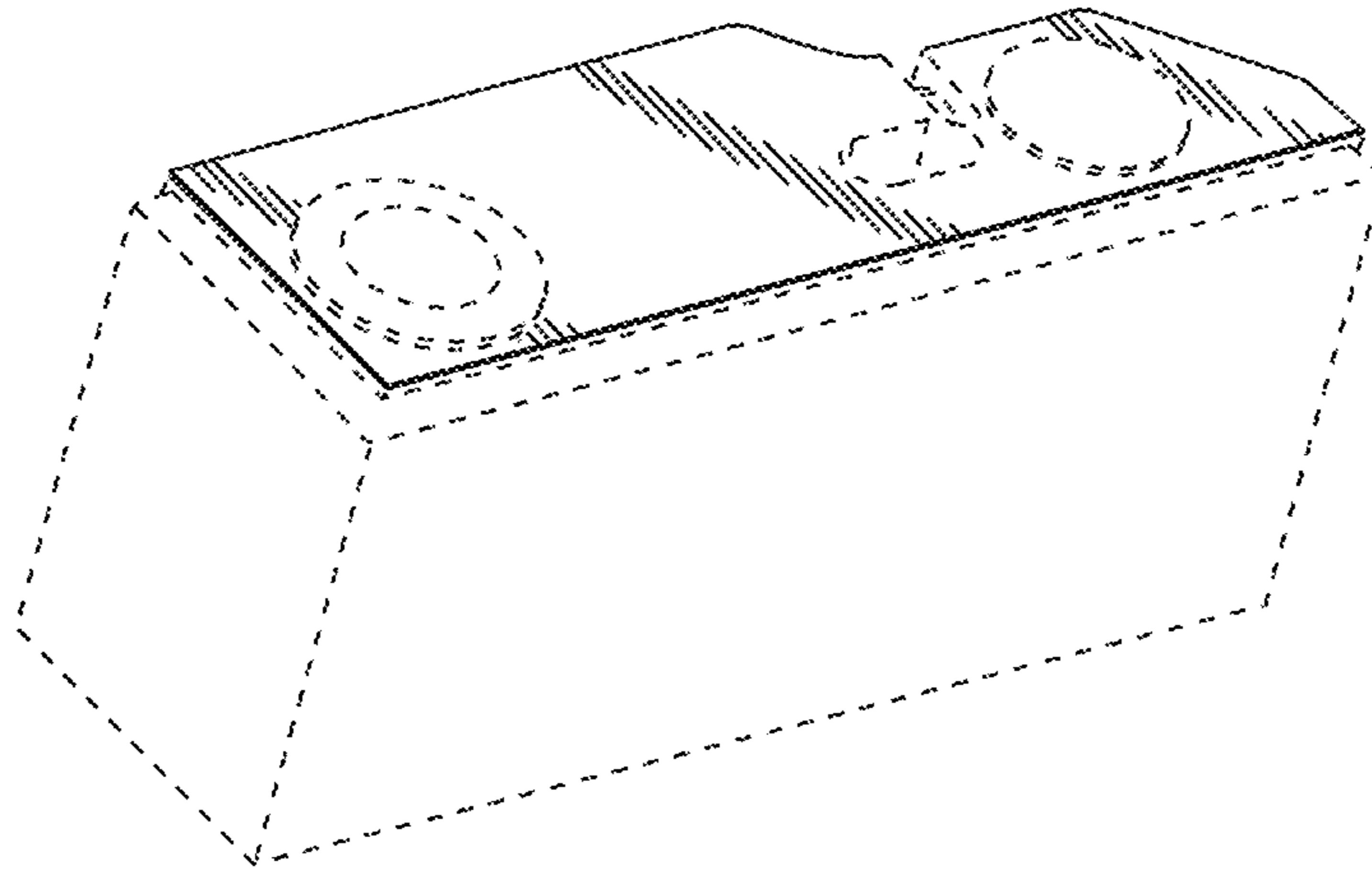


Fig. 1

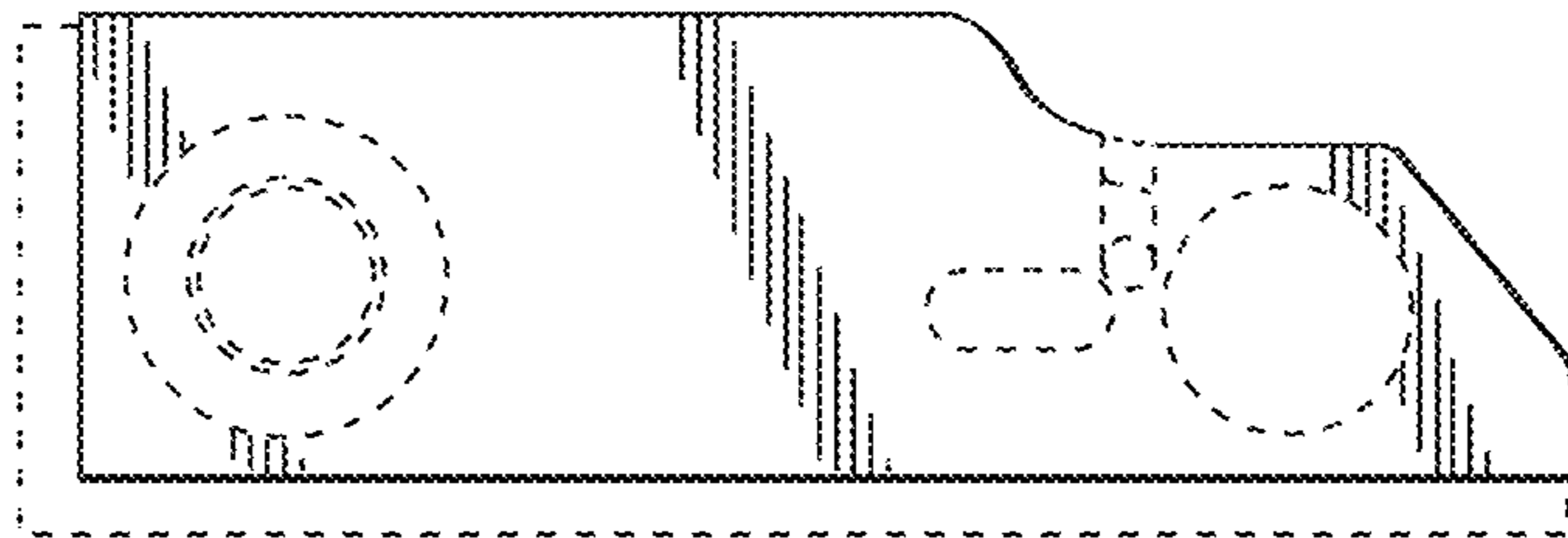


Fig. 2

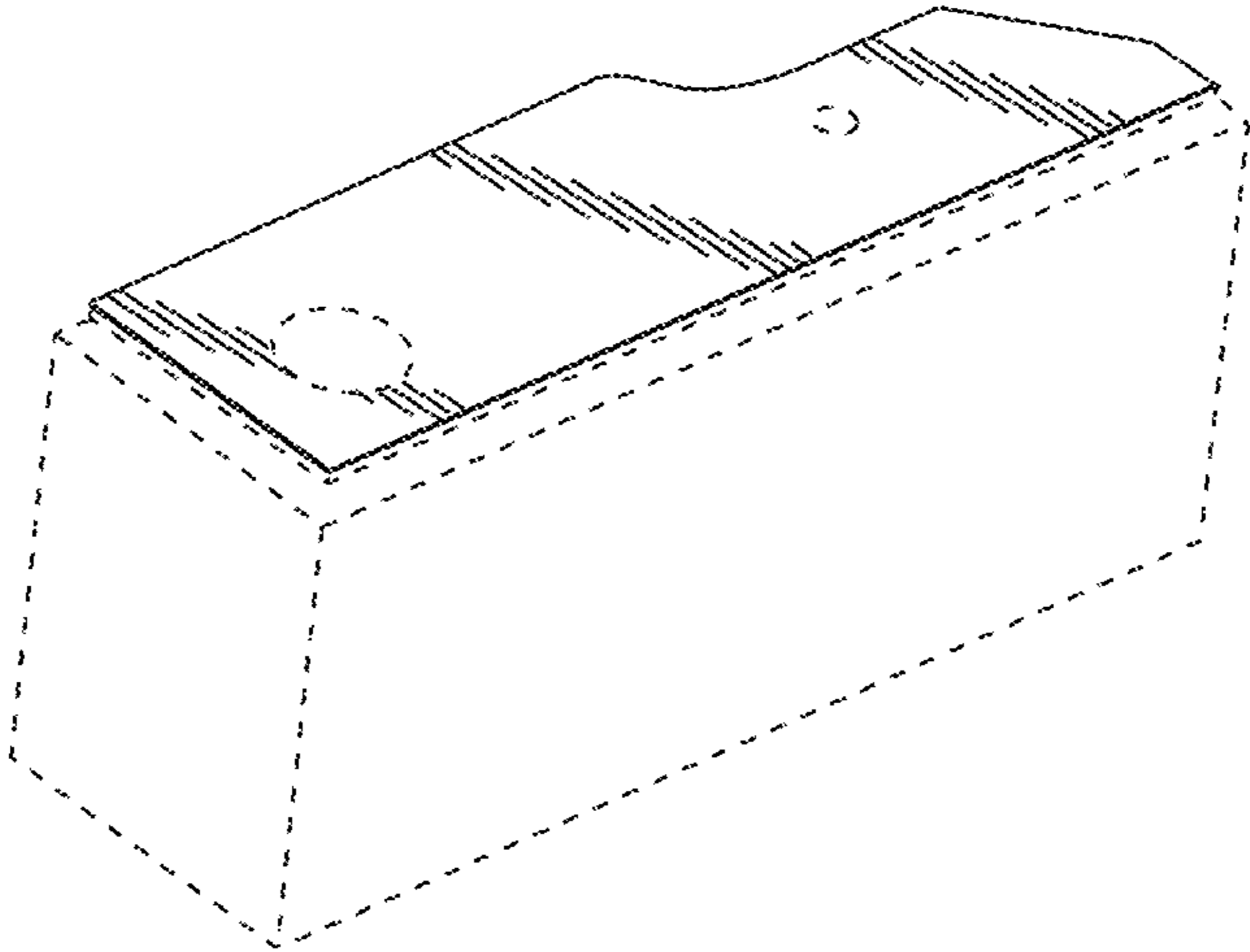


Fig. 3