



US00D717969S

(12) **United States Design Patent**  
**Green**

(10) **Patent No.:** **US D717,969 S**

(45) **Date of Patent:** **\*\* Nov. 18, 2014**

(54) **FOOT PLATFORM**

(71) Applicant: **Lock N Climb, LLC**, Bartlesville, OK  
(US)

(72) Inventor: **Jeffrey Alan Green**, Bartlesville, OK  
(US)

(73) Assignee: **Lock N Climb, LLC**, Bartlesville, OK  
(US)

(\*\*) Term: **14 Years**

(21) Appl. No.: **29/448,277**

(22) Filed: **Mar. 11, 2013**

(51) **LOC (10) Cl.** ..... **25-04**

(52) **U.S. Cl.**  
USPC ..... **D25/68**

(58) **Field of Classification Search**  
USPC ..... D25/68; 248/238, 210; 182/115, 112,  
182/150, 186.9

See application file for complete search history.

(56) **References Cited**

**U.S. PATENT DOCUMENTS**

4,848,517	A *	7/1989	Broyles, III	182/83
D307,187	S *	4/1990	Schaf	D25/68
D602,603	S *	10/2009	Masser	D25/68
7,735,606	B1 *	6/2010	Norton	182/186.9

\* cited by examiner

*Primary Examiner* — Doris Clark

(74) *Attorney, Agent, or Firm* — Michael Stanley Tomsa;  
Katten Muchin Rosenman LLP

(57) **CLAIM**

The ornamental design for the foot platform, as shown and described.

**DESCRIPTION**

FIG. 1 is a front perspective view of a foot platform of the present invention;

FIG. 2 is a rear perspective view of the foot platform;

FIG. 3 is a frontal view of the foot platform;

FIG. 4 is a rear view of the foot platform;

FIG. 5 is a first side view of the foot platform;

FIG. 6 is a second side view of the foot platform;

FIG. 7 is a top view of the foot platform;

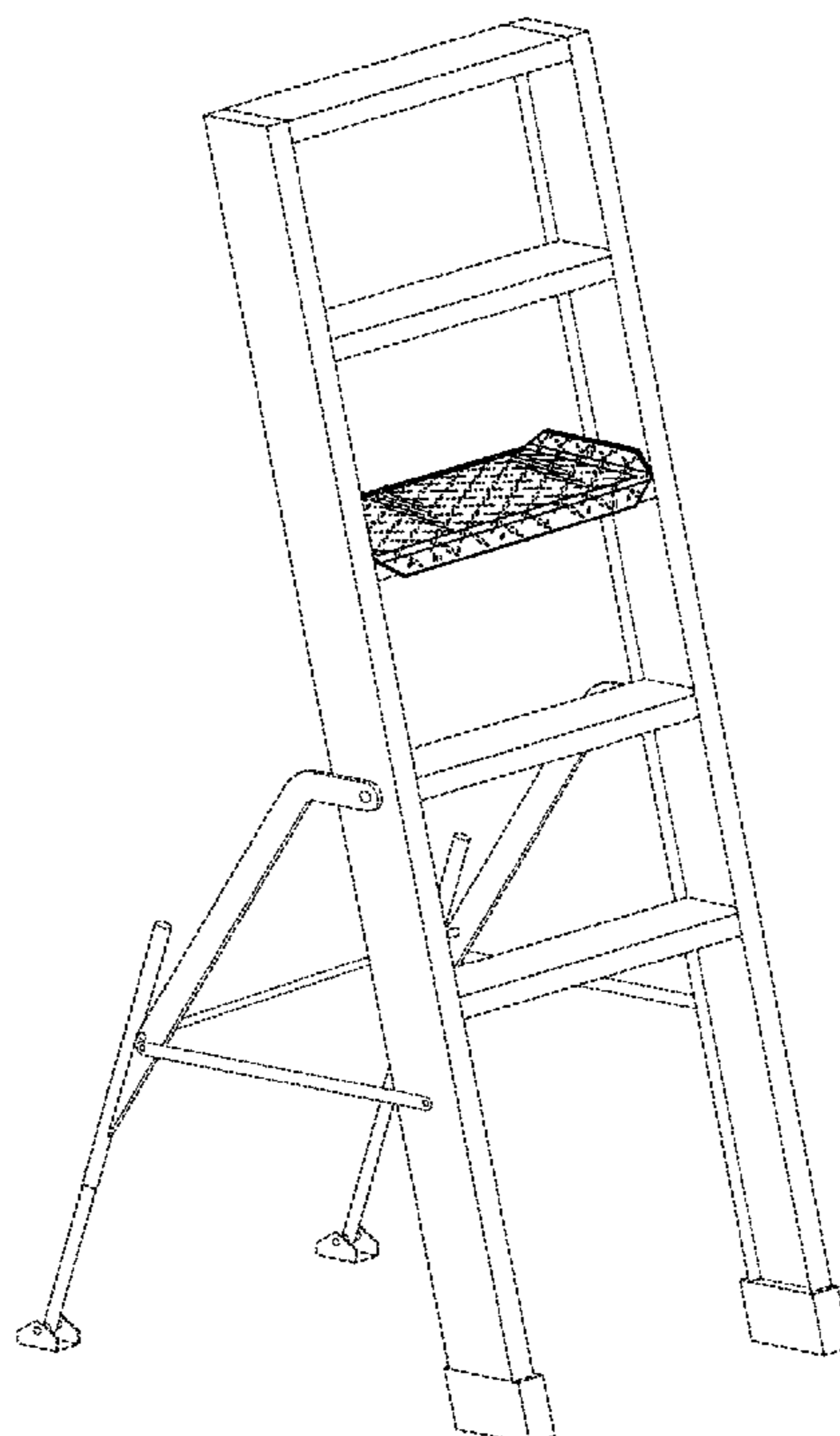
FIG. 8 is a bottom view of the foot platform;

FIG. 9 is a rear perspective view of the foot platform coupled with a ladder; and,

FIG. 10 is a front perspective view of the foot platform coupled with a ladder.

The broken lines shown in the views are for illustrative purposes only and form no part of the claimed design.

**1 Claim, 4 Drawing Sheets**



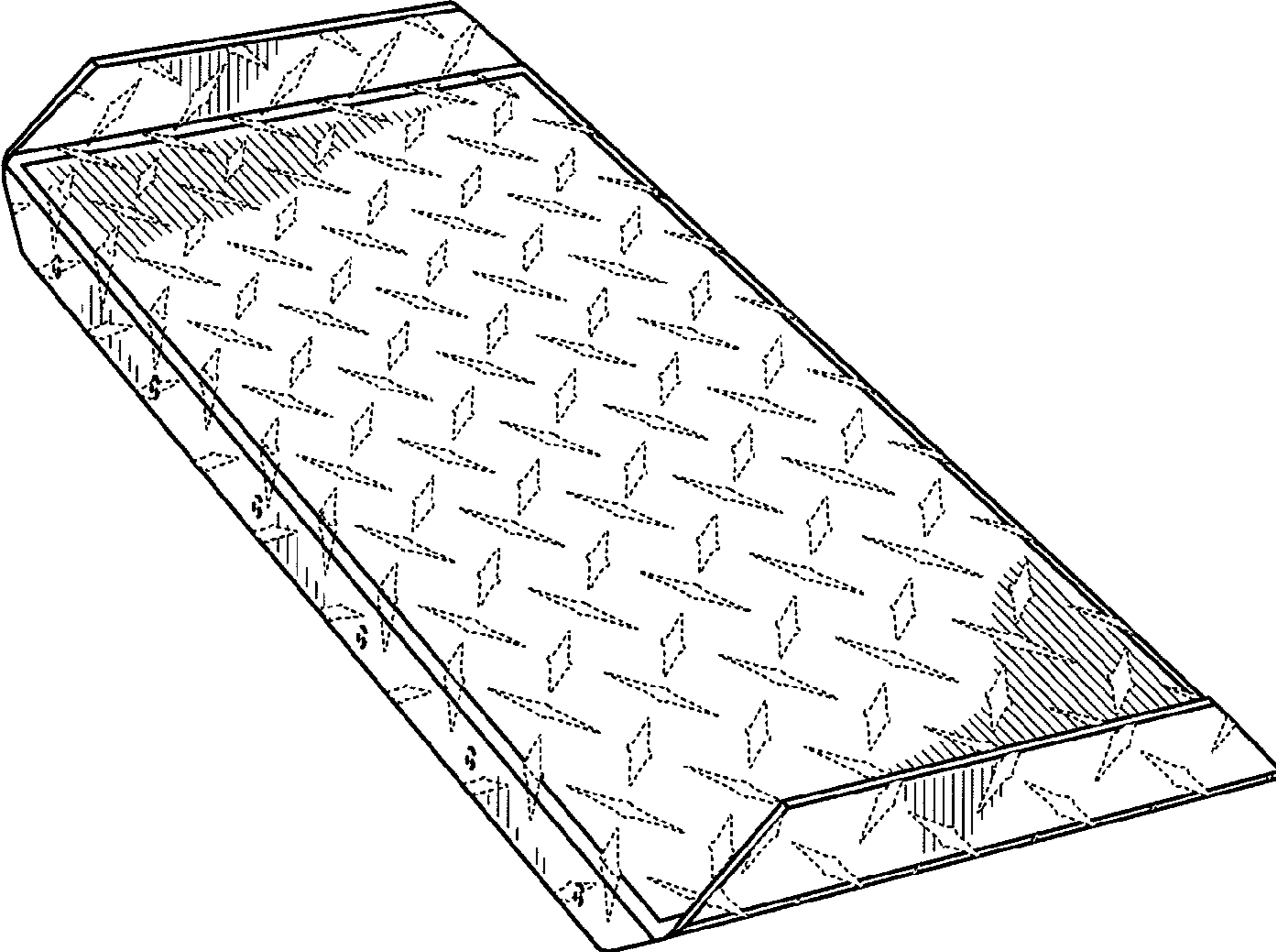


FIG. 1

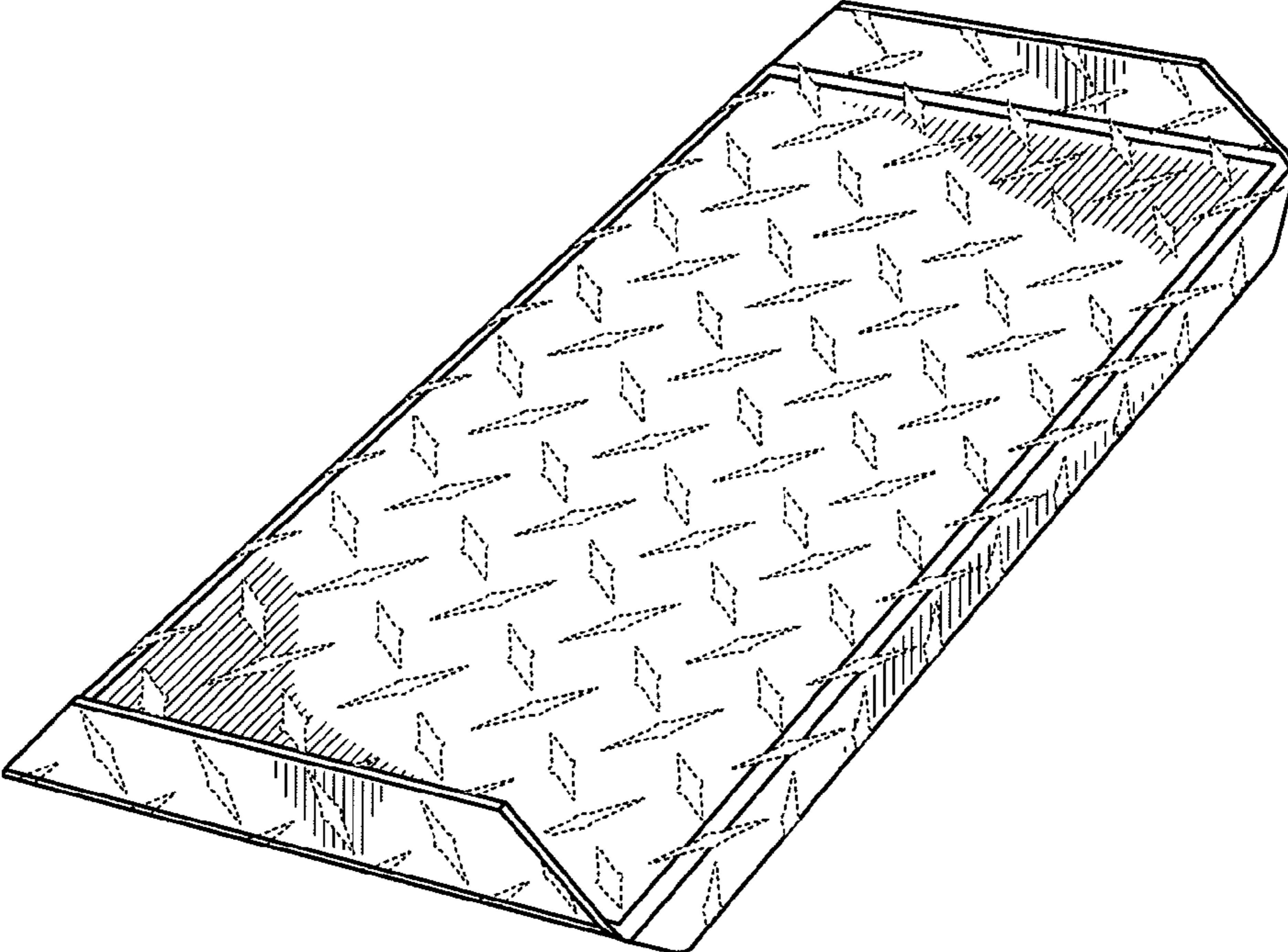


FIG. 2

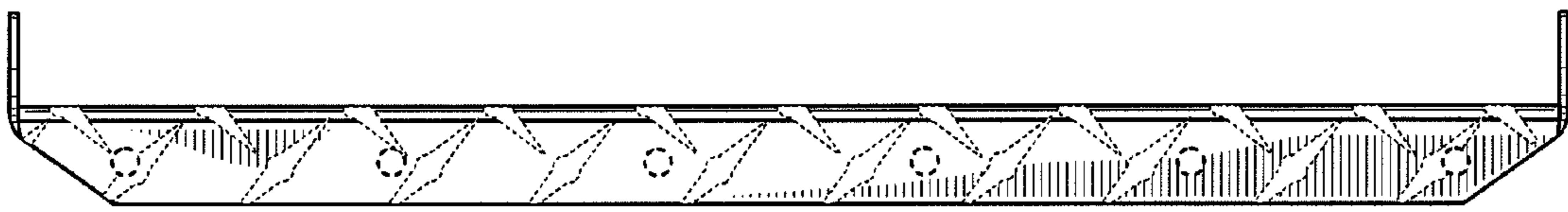


FIG. 3

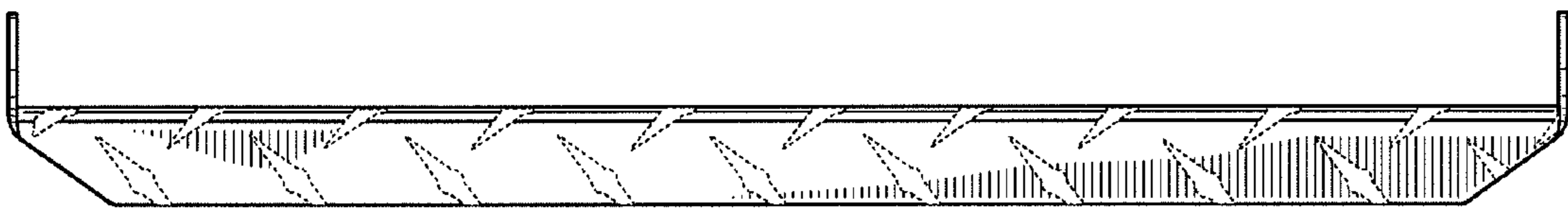


FIG. 4

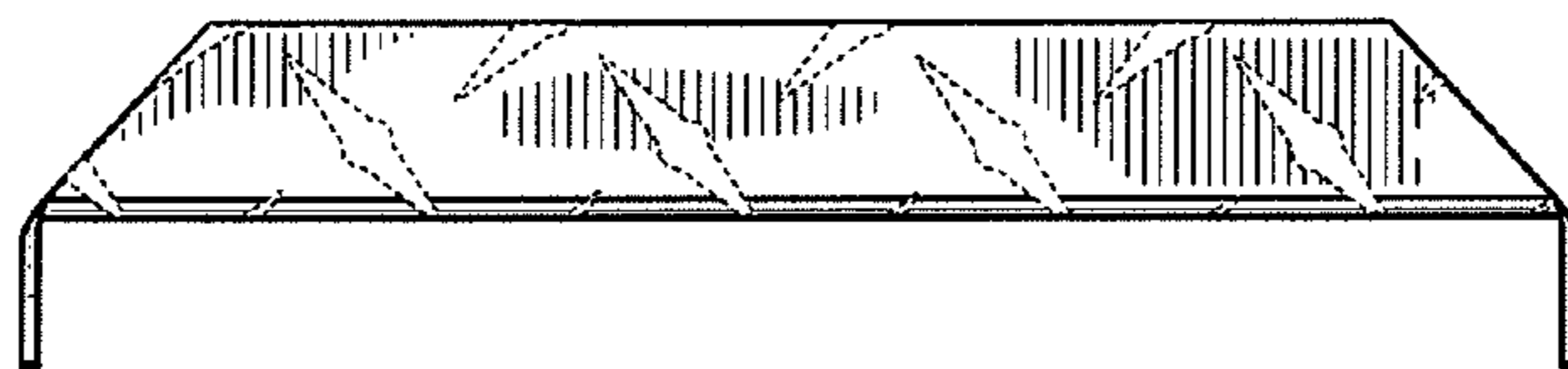


FIG. 5

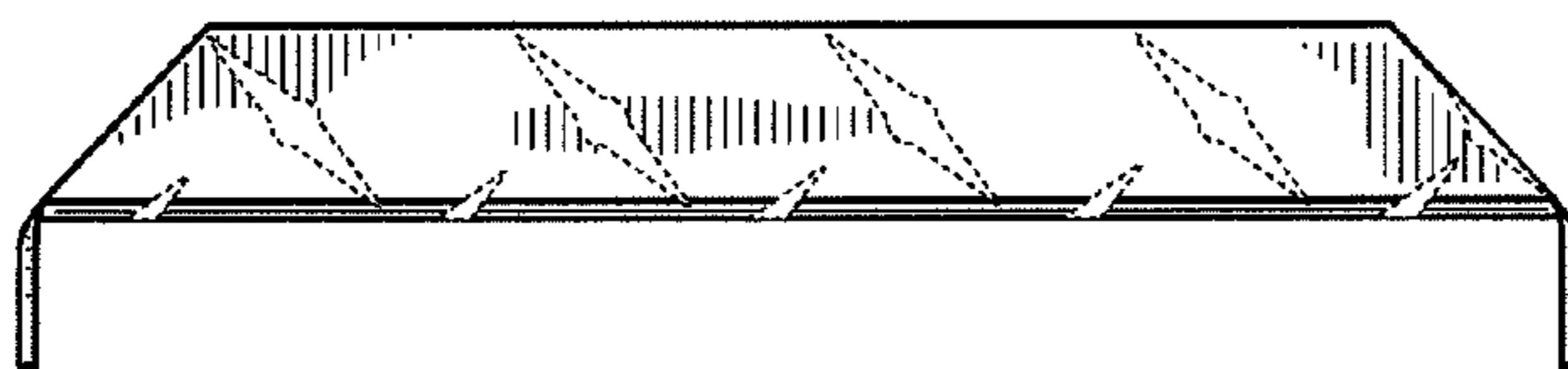


FIG. 6

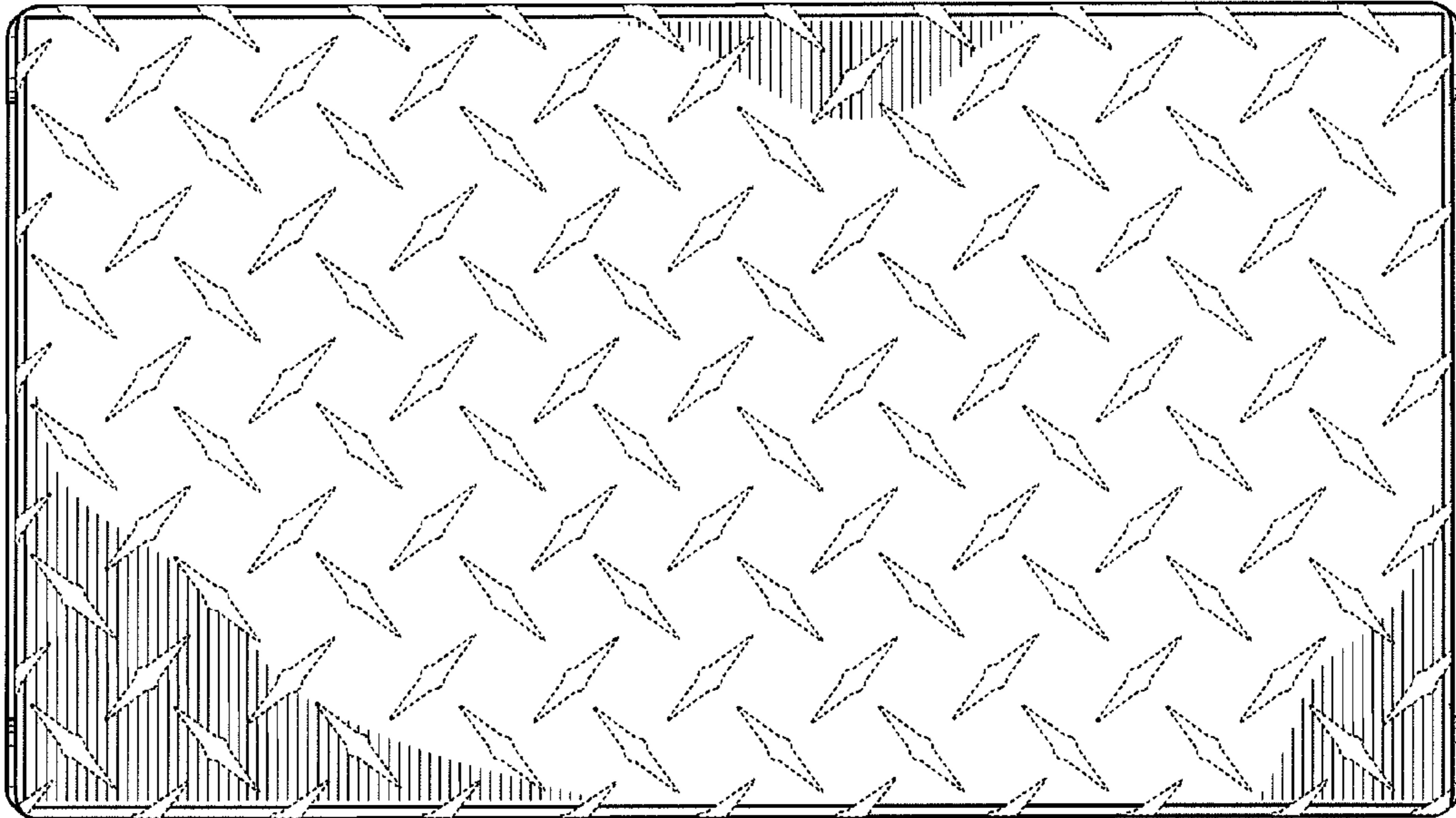


FIG. 7

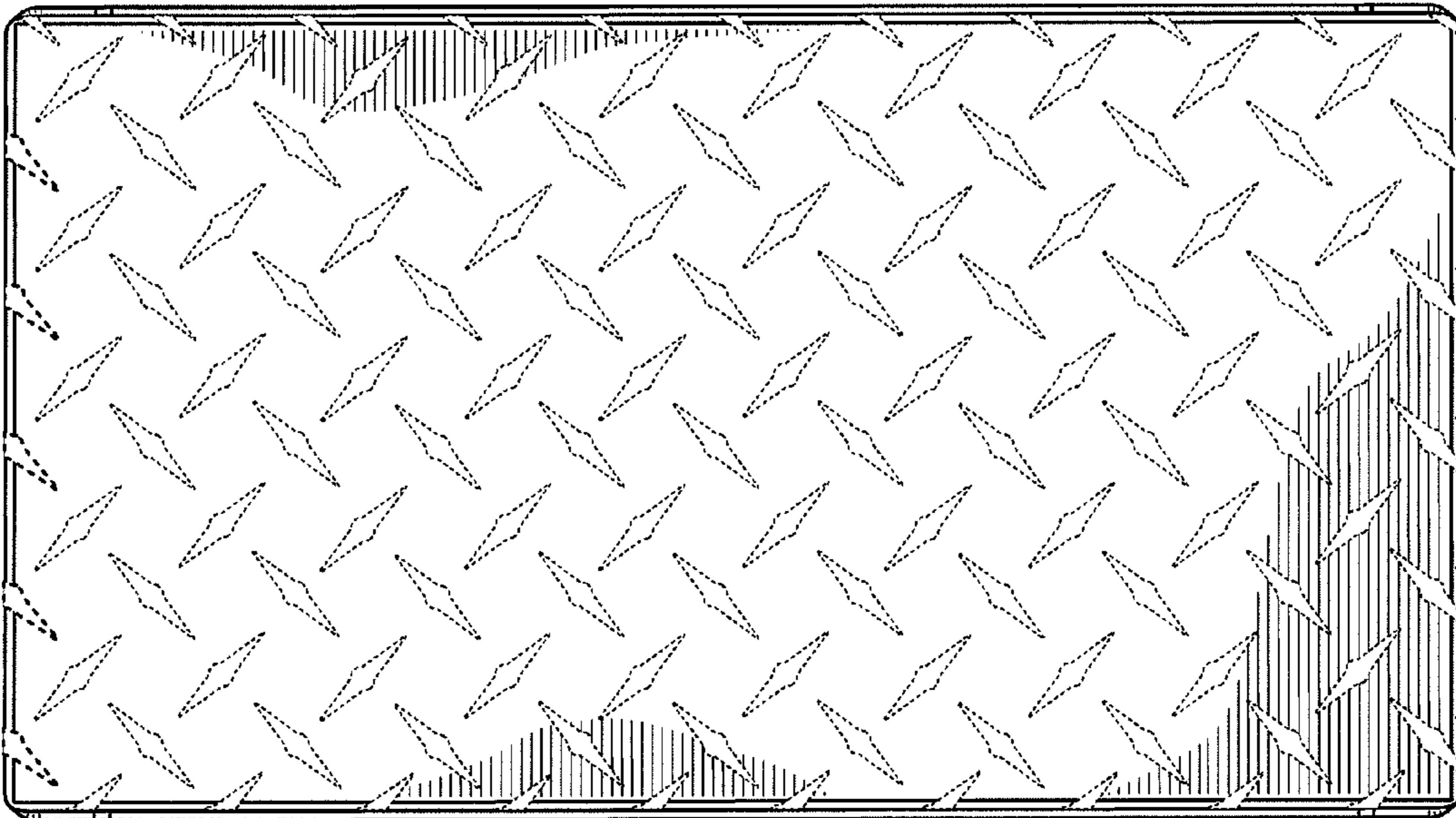


FIG. 8

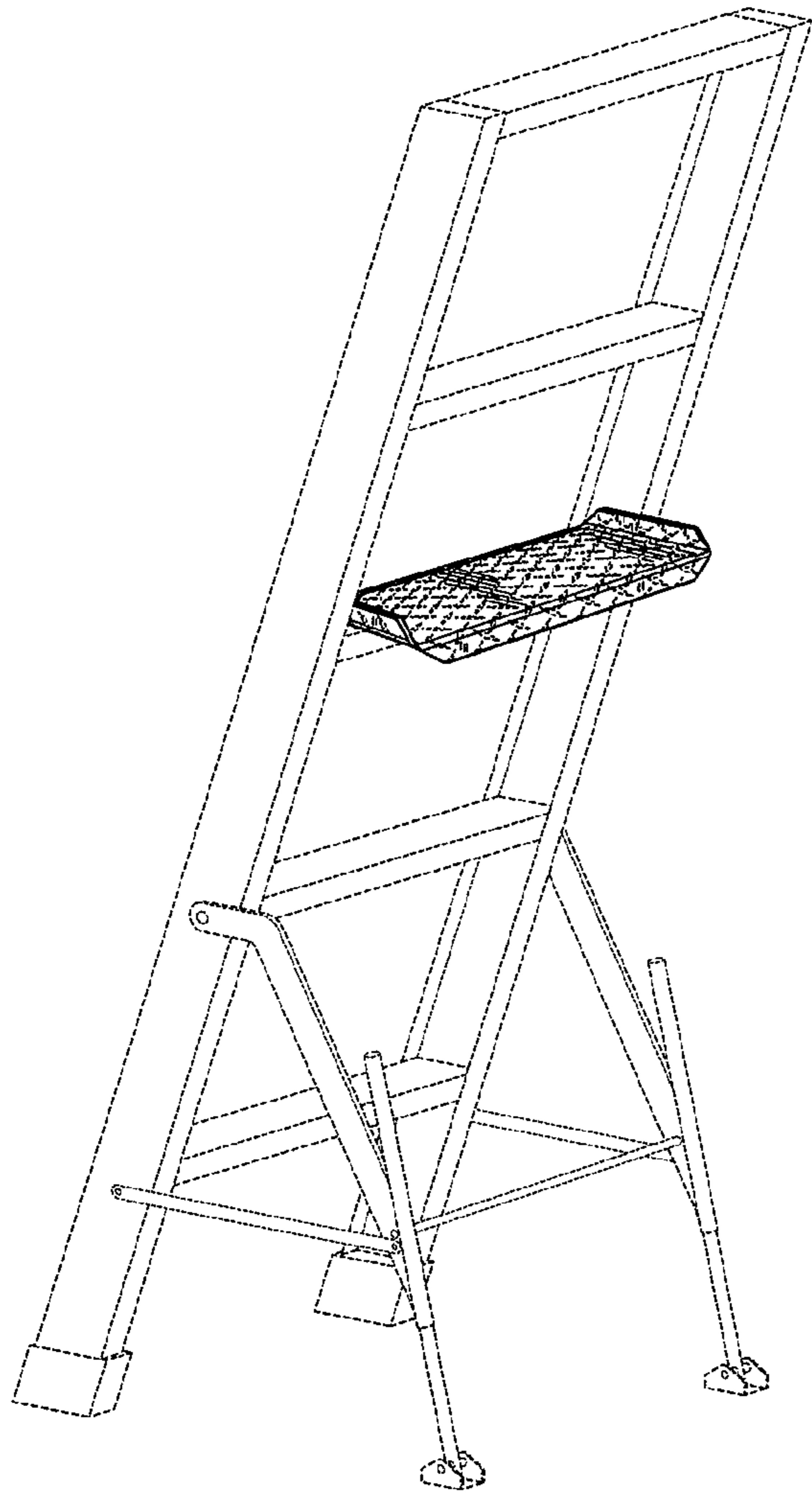


FIG. 9

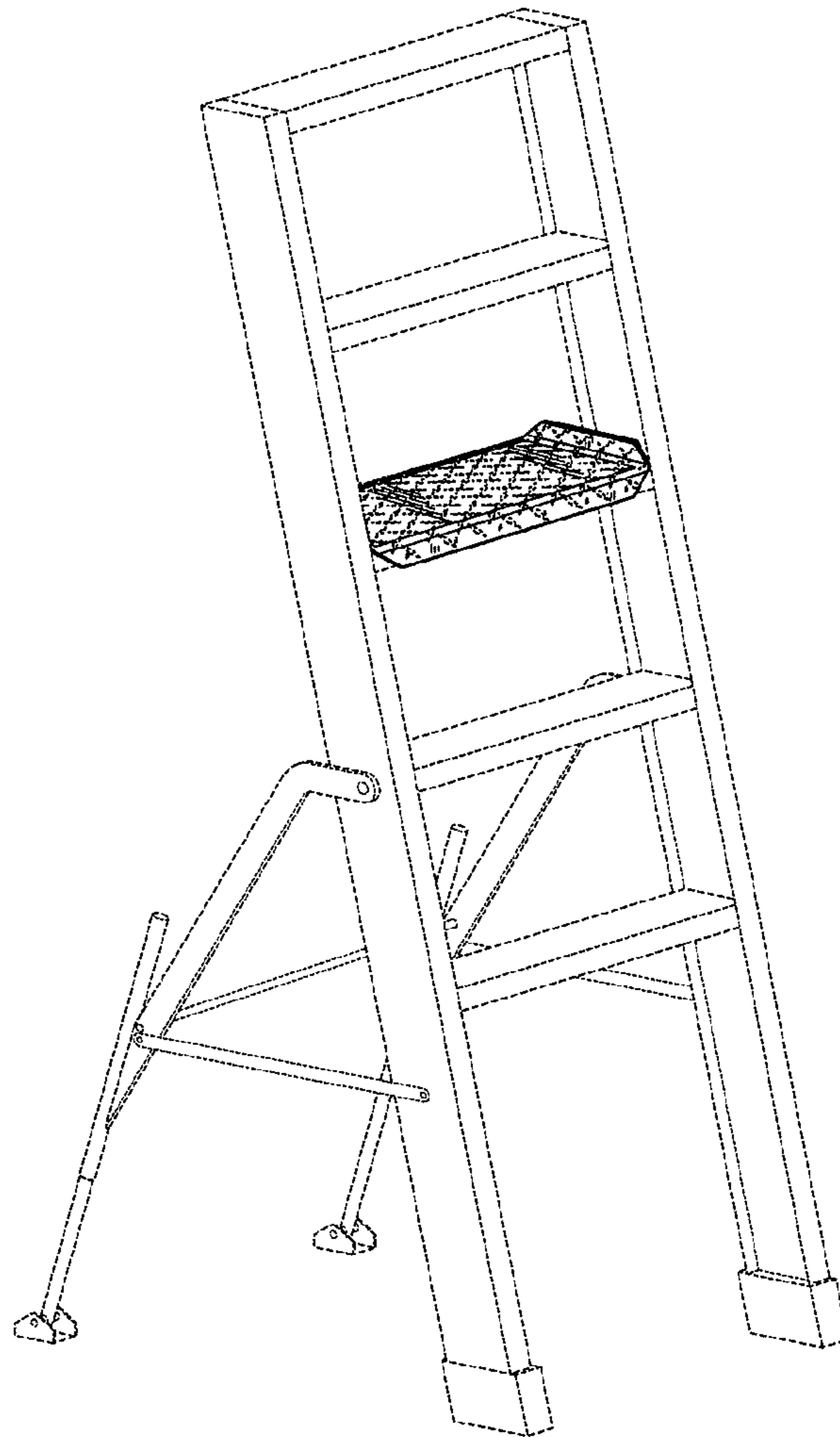


FIG. 10