



US00D717968S

(12) **United States Design Patent**
Klein et al.

(10) **Patent No.:** **US D717,968 S**

(45) **Date of Patent:** **** Nov. 18, 2014**

(54) **MULTI-BLOCK PCR THERMAL CYCLER DEVICE**

(71) Applicant: **Life Technologies Corporation,**
Carlsbad, CA (US)

(72) Inventors: **Sandro David Klein,** Irvine, CA (US);
Joseph Lee, San Diego, CA (US);
Byron Lee, Thousand Oaks, CA (US);
Shushuo Wu, Thousand Oaks, CA (US);
Lance Hussey, Thousand Oaks, CA (US)

(73) Assignee: **Life Technologies Corporation,**
Carlsbad, CA (US)

(**) Term: **14 Years**

(21) Appl. No.: **29/438,754**

(22) Filed: **Dec. 3, 2012**

(51) **LOC (10) Cl.** **24-01**

(52) **U.S. Cl.**
USPC **D24/232**

(58) **Field of Classification Search**

USPC D24/230–233, 216–220, 221, 225–227,
D24/229; D10/81; 422/50–53, 62–63, 68.1,
422/500, 565; 435/285.1, 287.1, 288.4,
435/287.2, 288.7, 303.1, 809

See application file for complete search history.

(56) **References Cited**

U.S. PATENT DOCUMENTS

D256,726 S *	9/1980	Meuli et al.	D24/232
5,525,300 A *	6/1996	Danssaert et al.	435/285.1
D467,349 S *	12/2002	Niedbala et al.	D24/232
D537,951 S *	3/2007	Okamoto et al.	D24/233
D556,914 S *	12/2007	Okamoto et al.	D24/233
D571,480 S *	6/2008	Beck et al.	D24/232
D607,569 S *	1/2010	Yukikado et al.	D24/186
D647,209 S *	10/2011	Muller et al.	D24/216
8,046,175 B2 *	10/2011	Kuo et al.	422/63

* cited by examiner

Primary Examiner — Wan Laymon

(74) *Attorney, Agent, or Firm* — Life Technologies Corporation

(57) **CLAIM**

The ornamental design for a multi-block PCR thermal cycler device, as shown and described.

DESCRIPTION

FIG. 1 is a front, top and side perspective view of an multi-block PCR thermal cycler device, according to a first exemplary embodiment;

FIG. 2 is a front view of the multi-block PCR thermal cycler device of FIG. 1;

FIG. 3 is a back view of the multi-block PCR thermal cycler device of FIG. 1;

FIG. 4 is a right side view of the multi-block PCR thermal cycler device of FIG. 1;

FIG. 5 is a left side view of the multi-block PCR thermal cycler device of FIG. 1;

FIG. 6 is a top view of the multi-block PCR thermal cycler device of FIG. 1;

FIG. 7 is a bottom view of the multi-block PCR thermal cycler device of FIG. 1;

FIG. 8 is a front, top and side perspective view of an multi-block PCR thermal cycler device, according to a second exemplary embodiment;

FIG. 9 is a front view of the multi-block PCR thermal cycler device of FIG. 8;

FIG. 10 is a back view of the multi-block PCR thermal cycler device of FIG. 8;

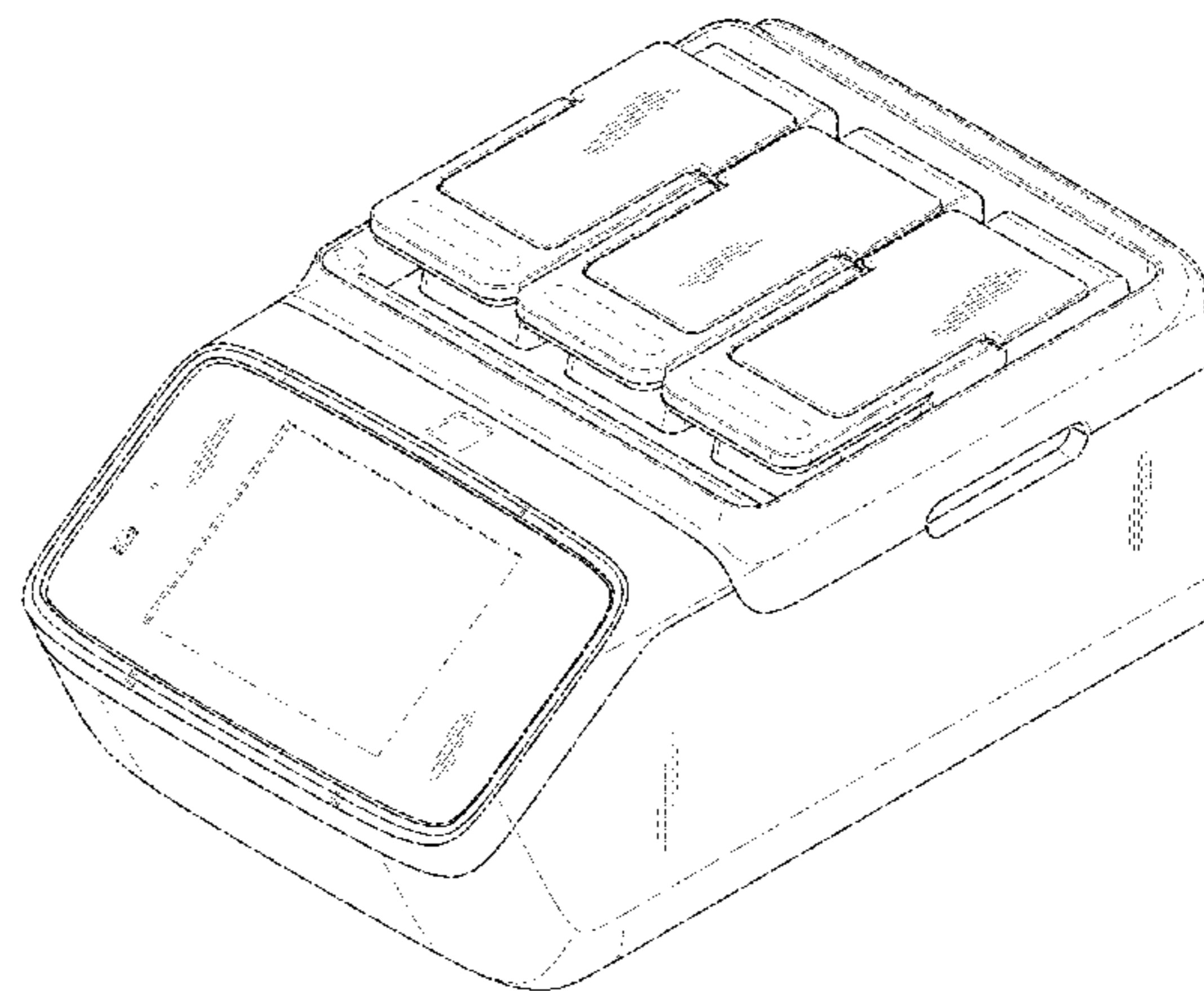
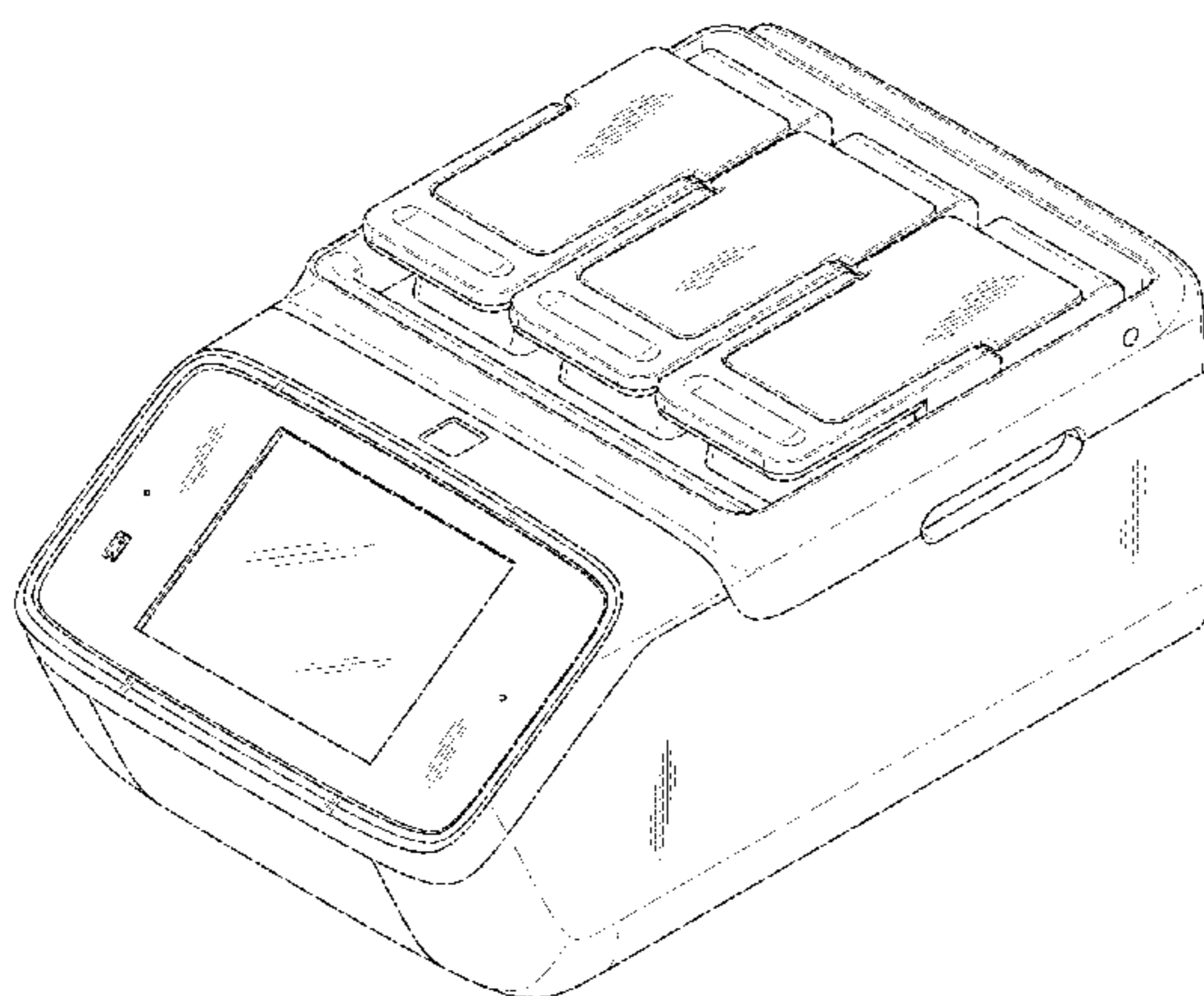
FIG. 11 is a right side view of the multi-block PCR thermal cycler device of FIG. 8;

FIG. 12 is a left side view of the multi-block PCR thermal cycler device of FIG. 8;

FIG. 13 is a top view of the multi-block PCR thermal cycler device of FIG. 8; and,

FIG. 14 is a bottom view of the multi-block PCR thermal cycler device of FIG. 8.

The broken lines shown in the figures are included for the purpose of illustrating portions of the multi-block PCR thermal cycler device and form no part of the claimed design.



1 Claim, 14 Drawing Sheets

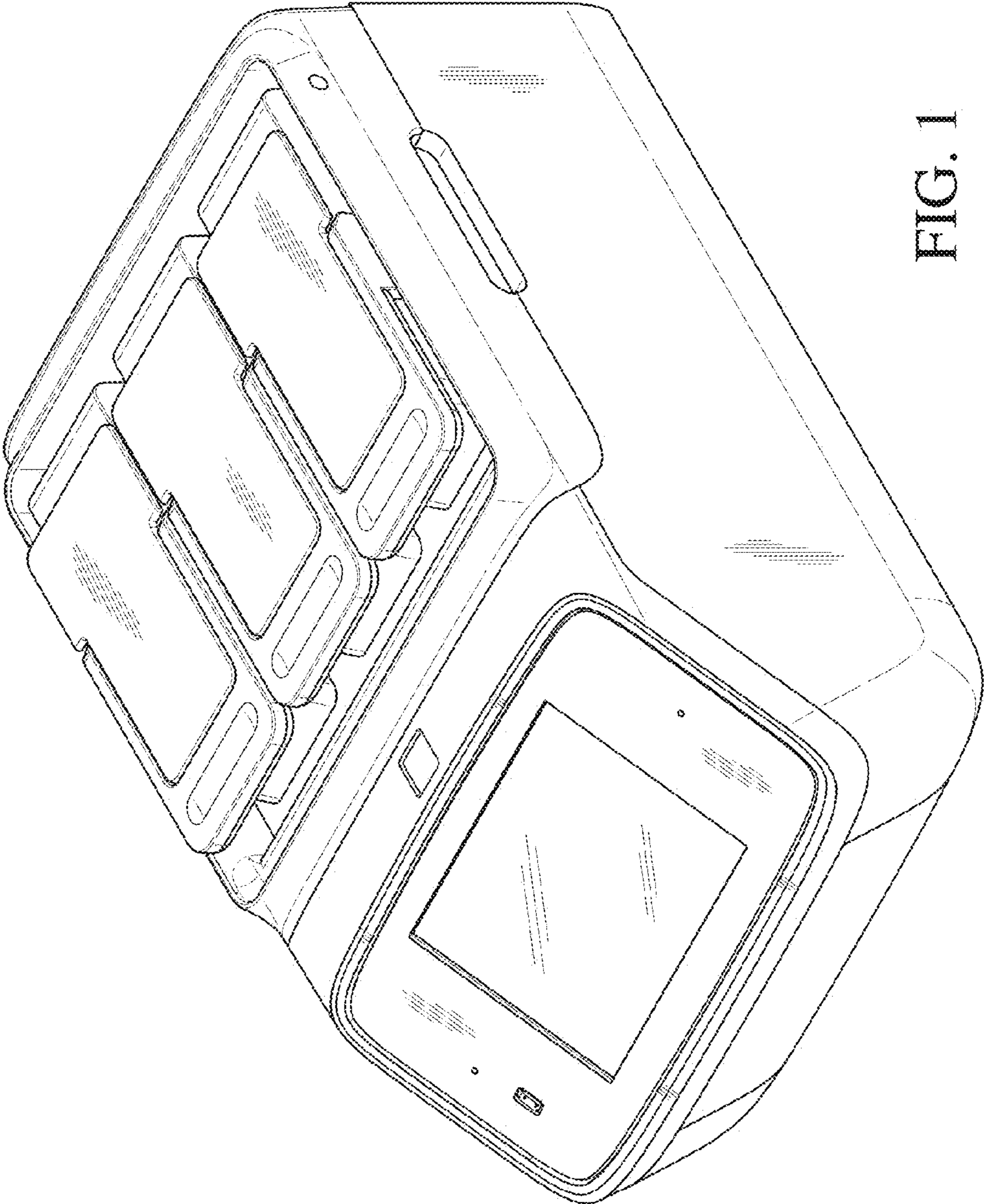


FIG. 1

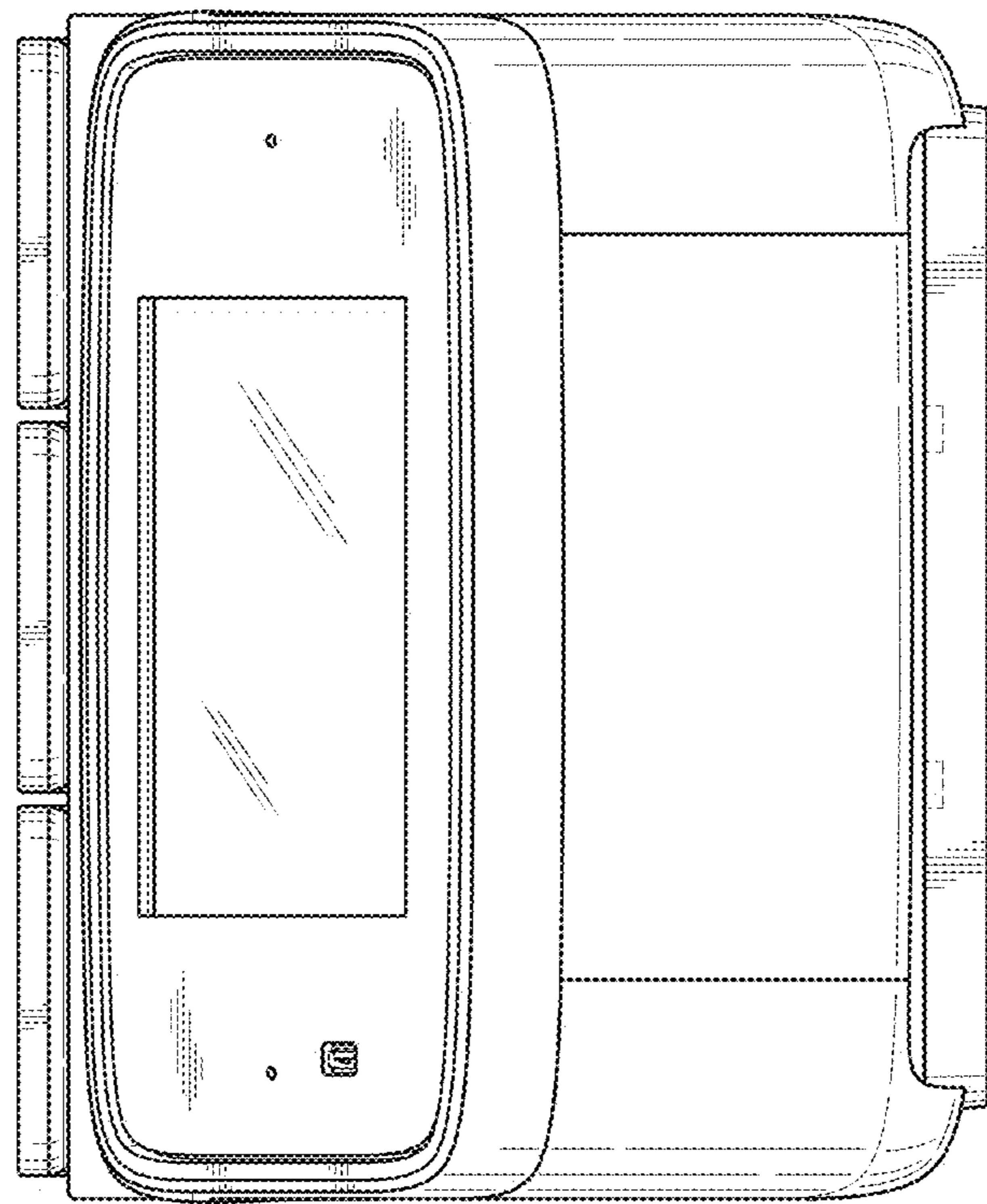


FIG. 2

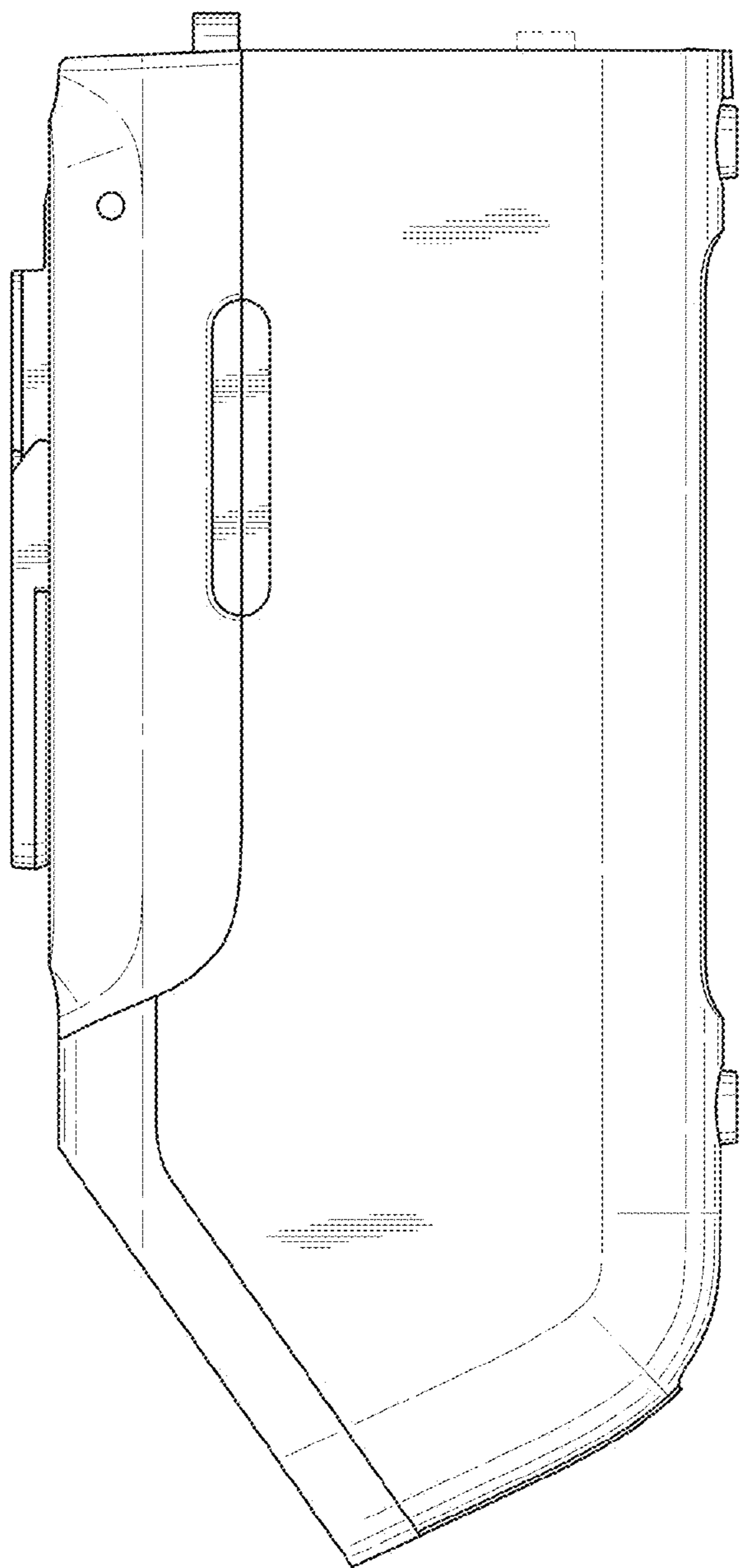


FIG. 4

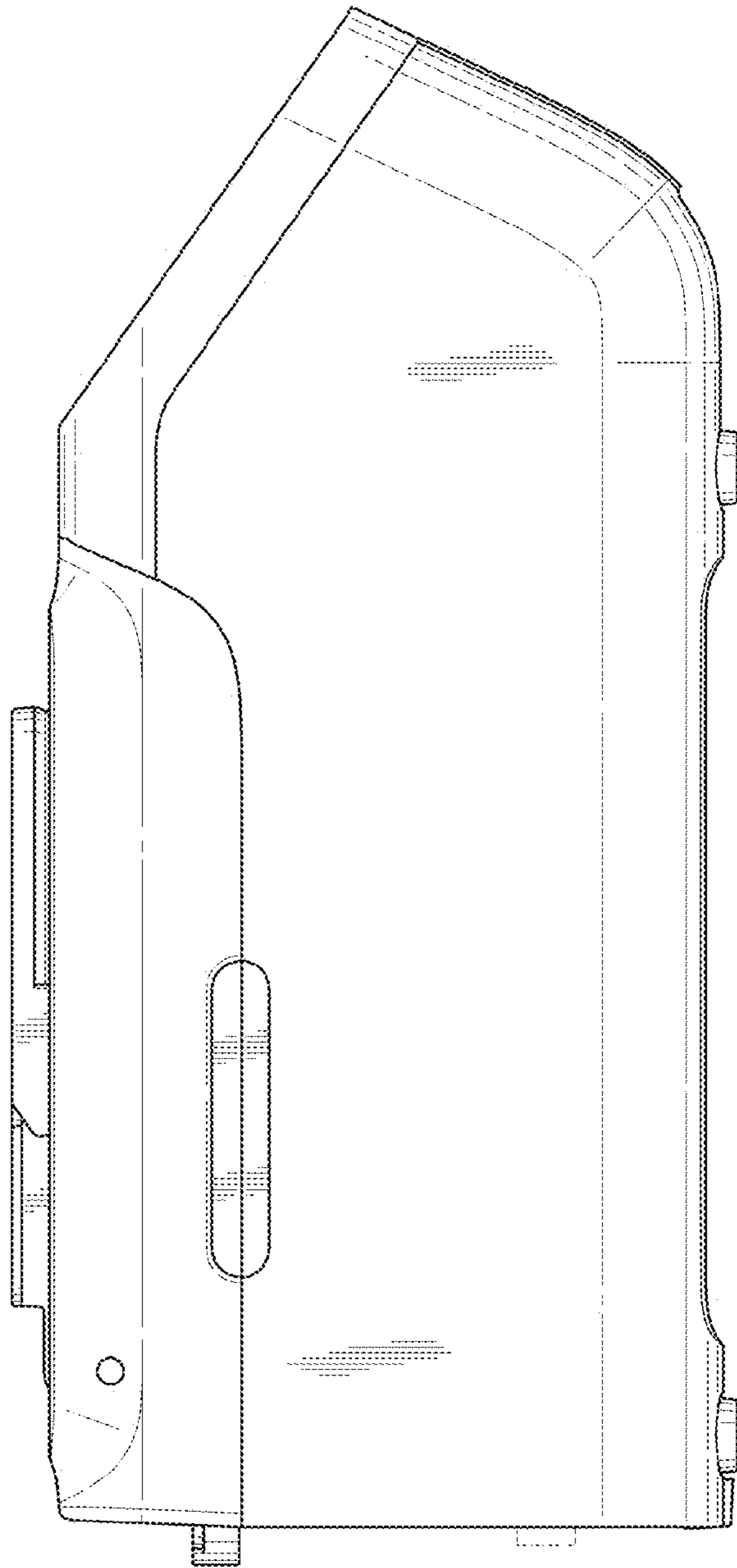


FIG. 5

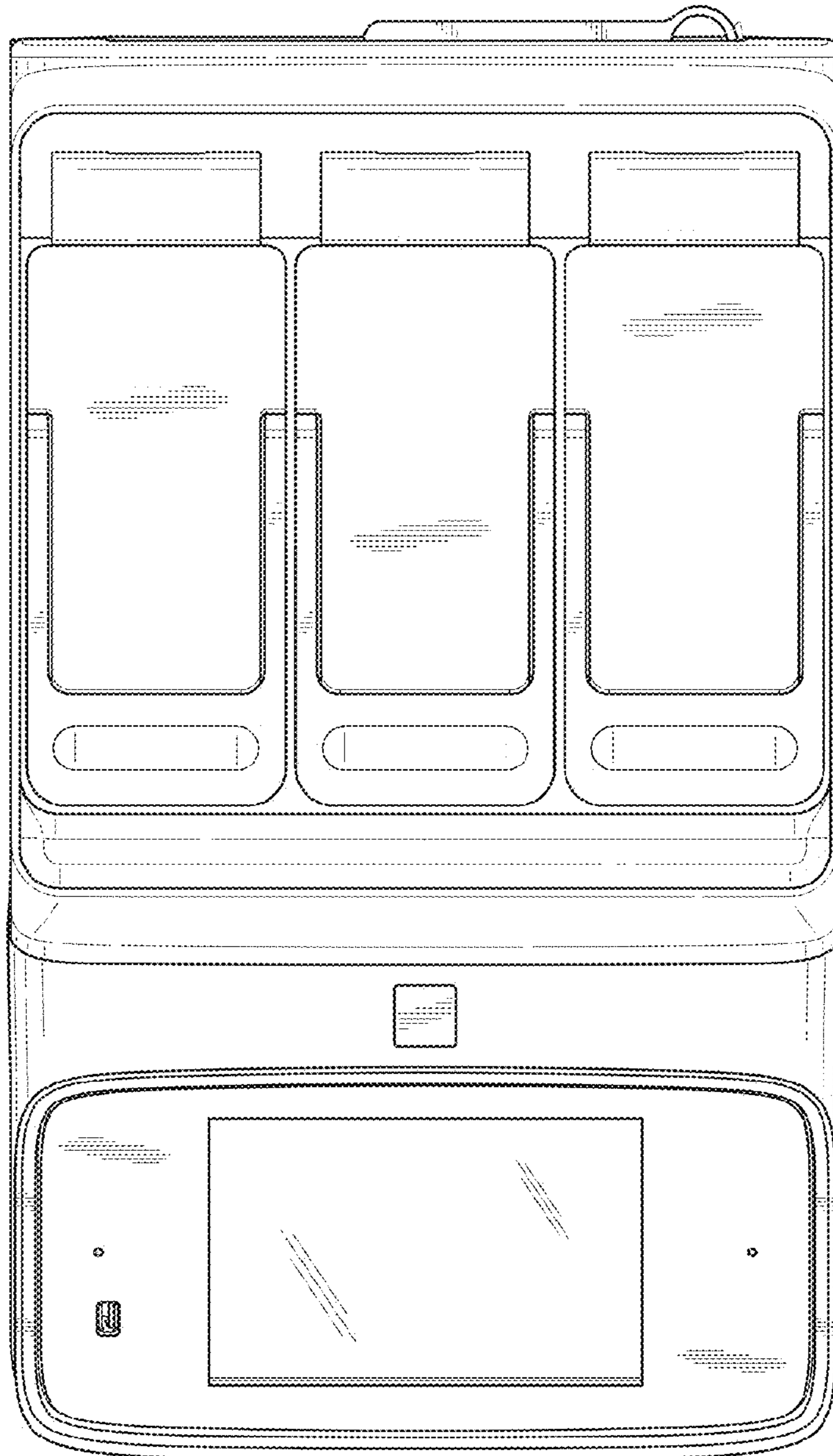


FIG. 6

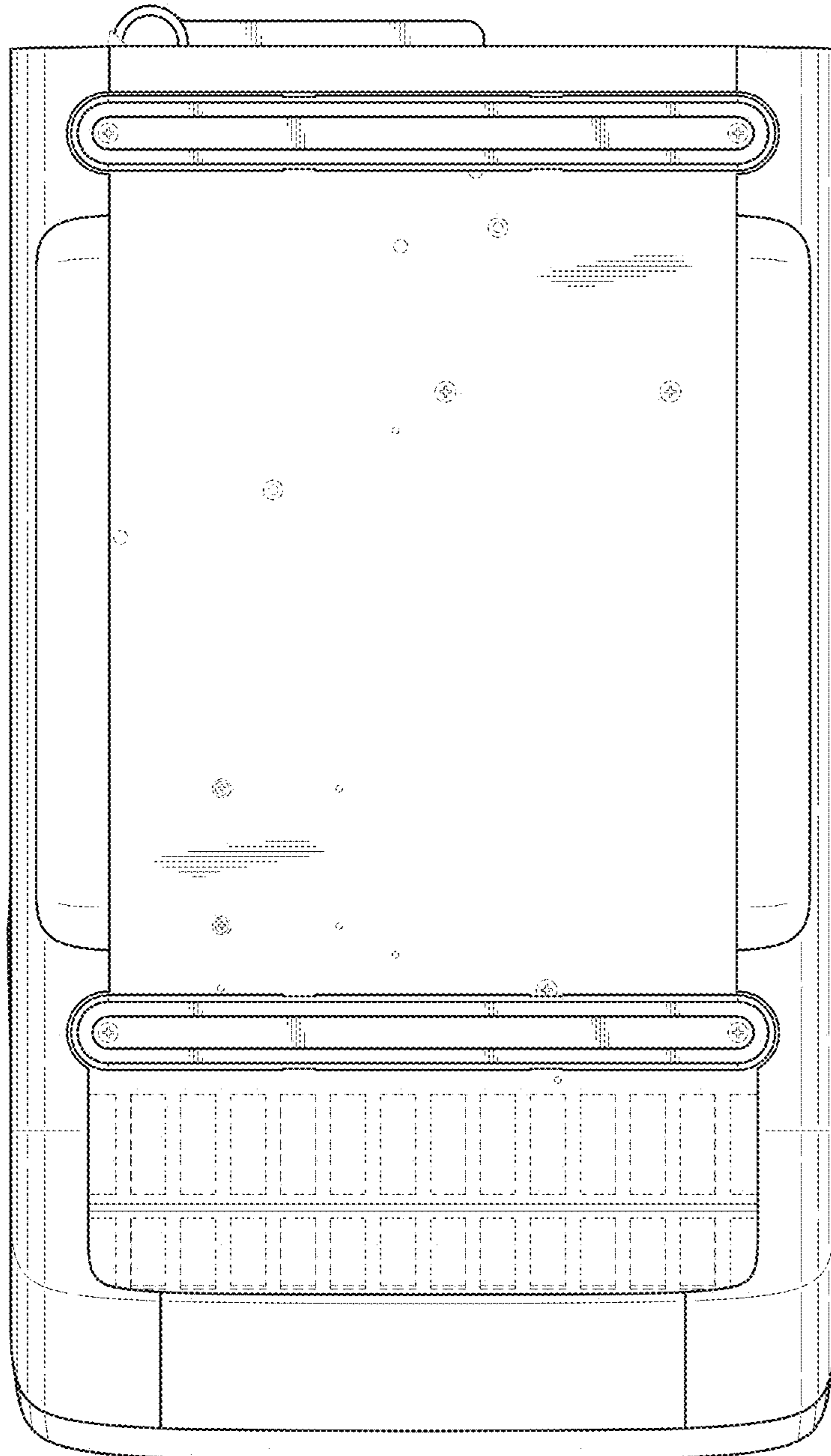


FIG. 7

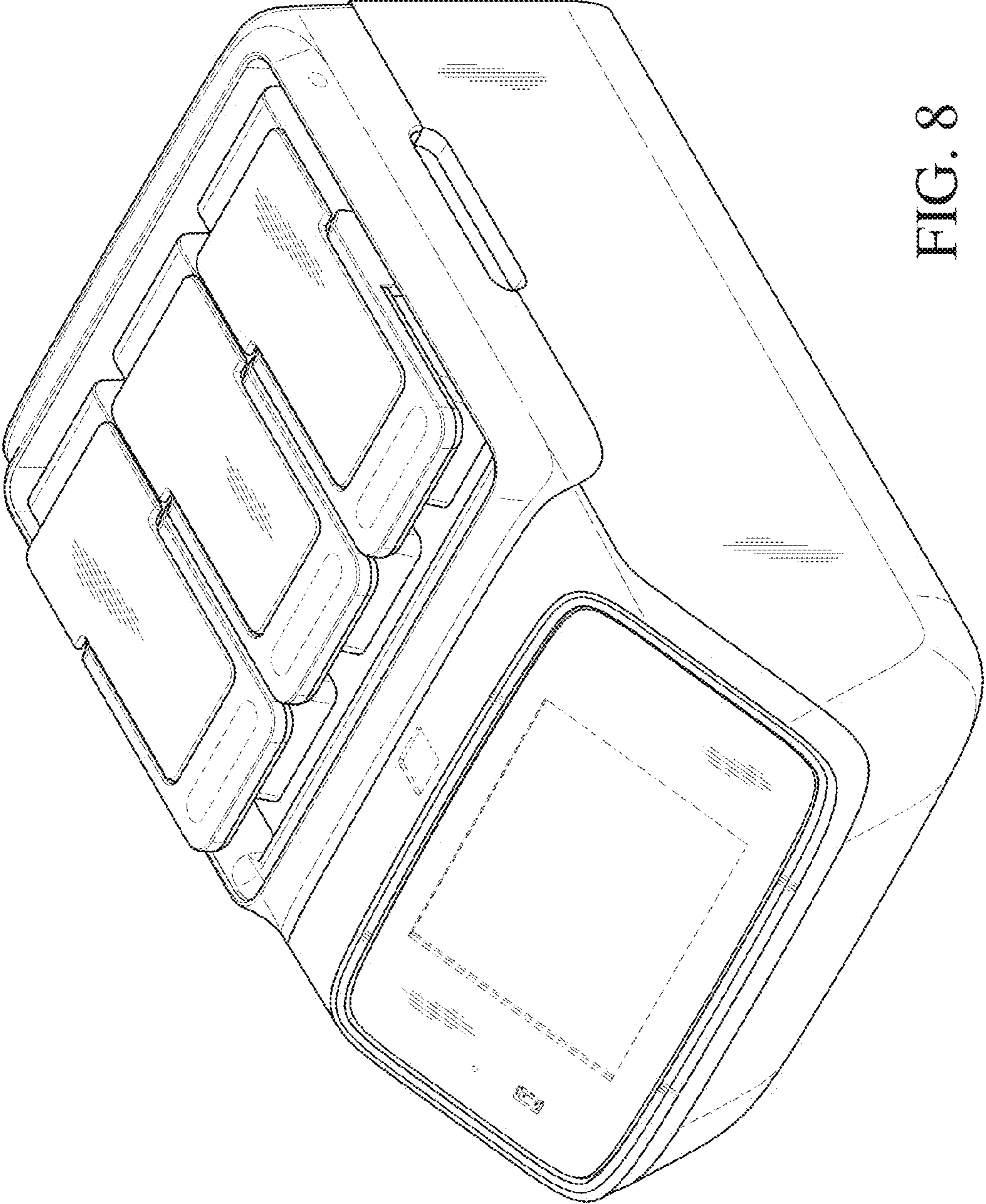


FIG. 8

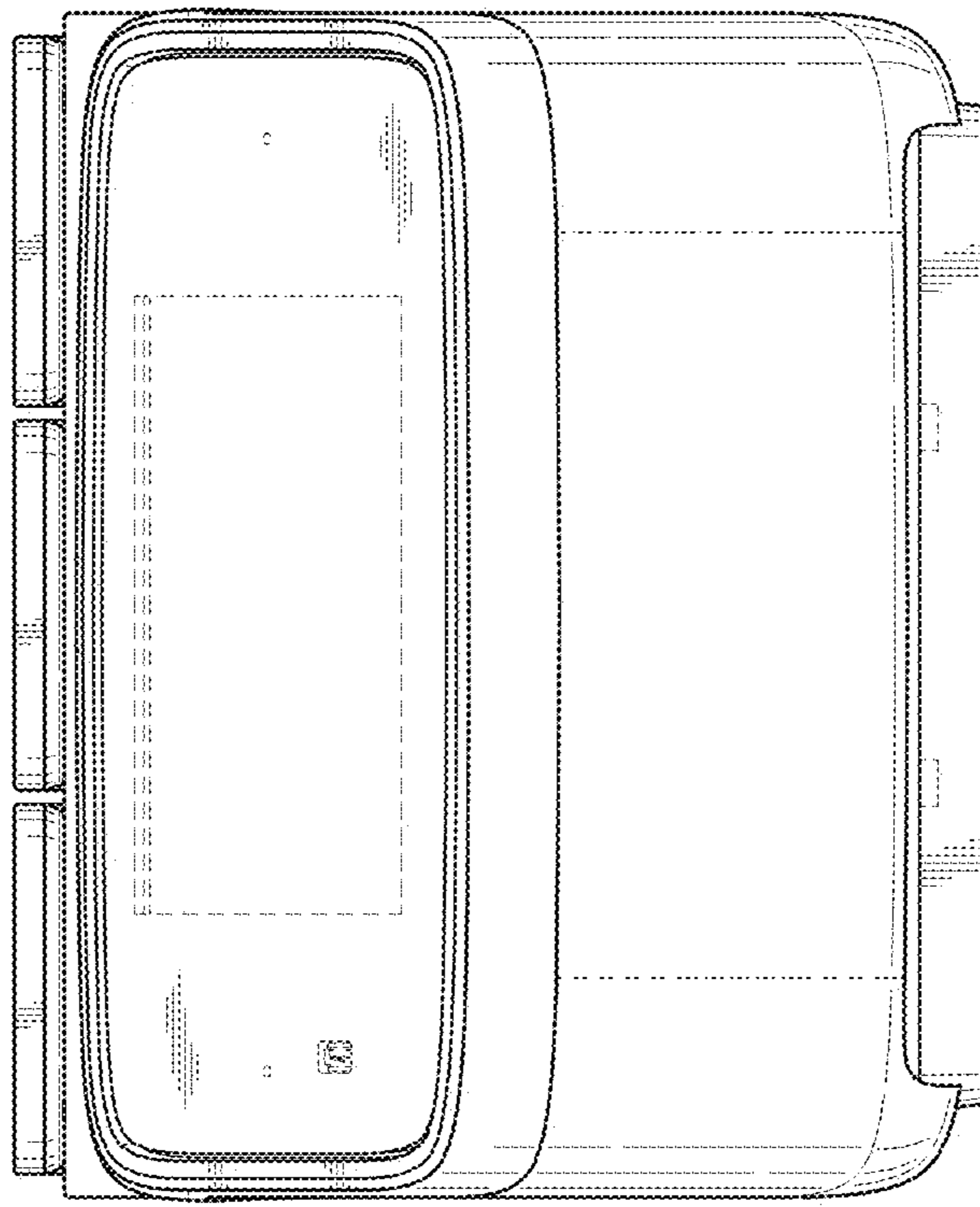


FIG. 9

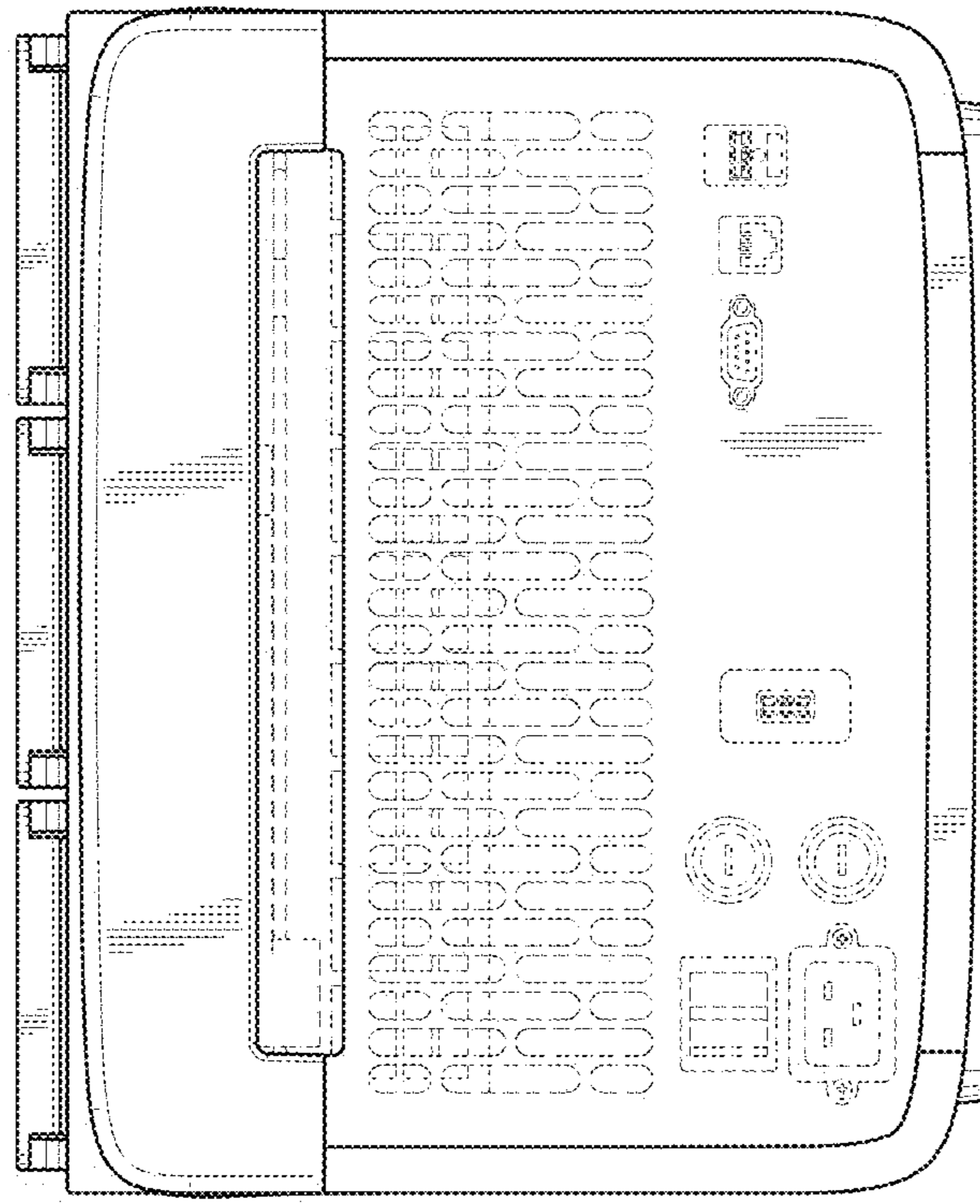


FIG. 10

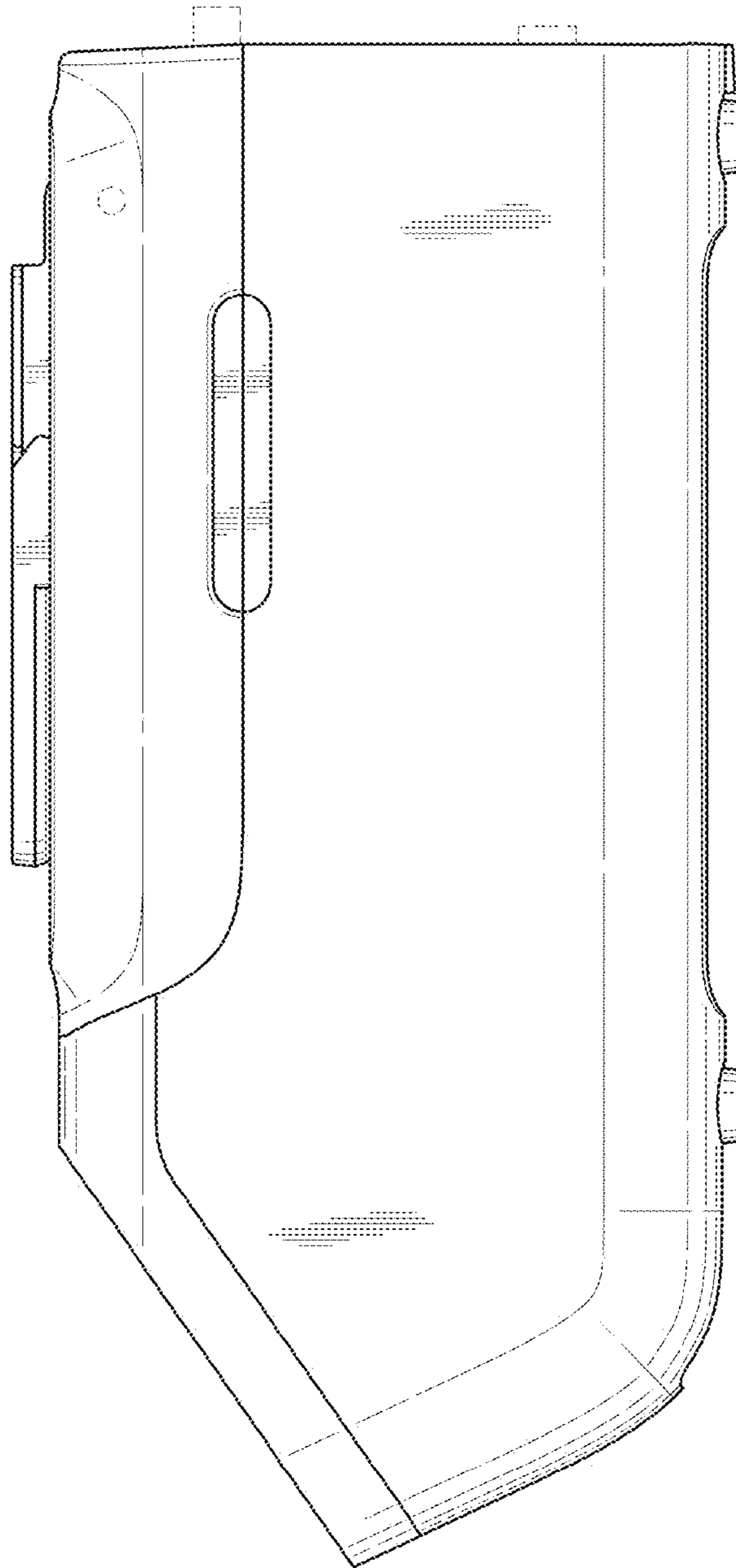


FIG. 11

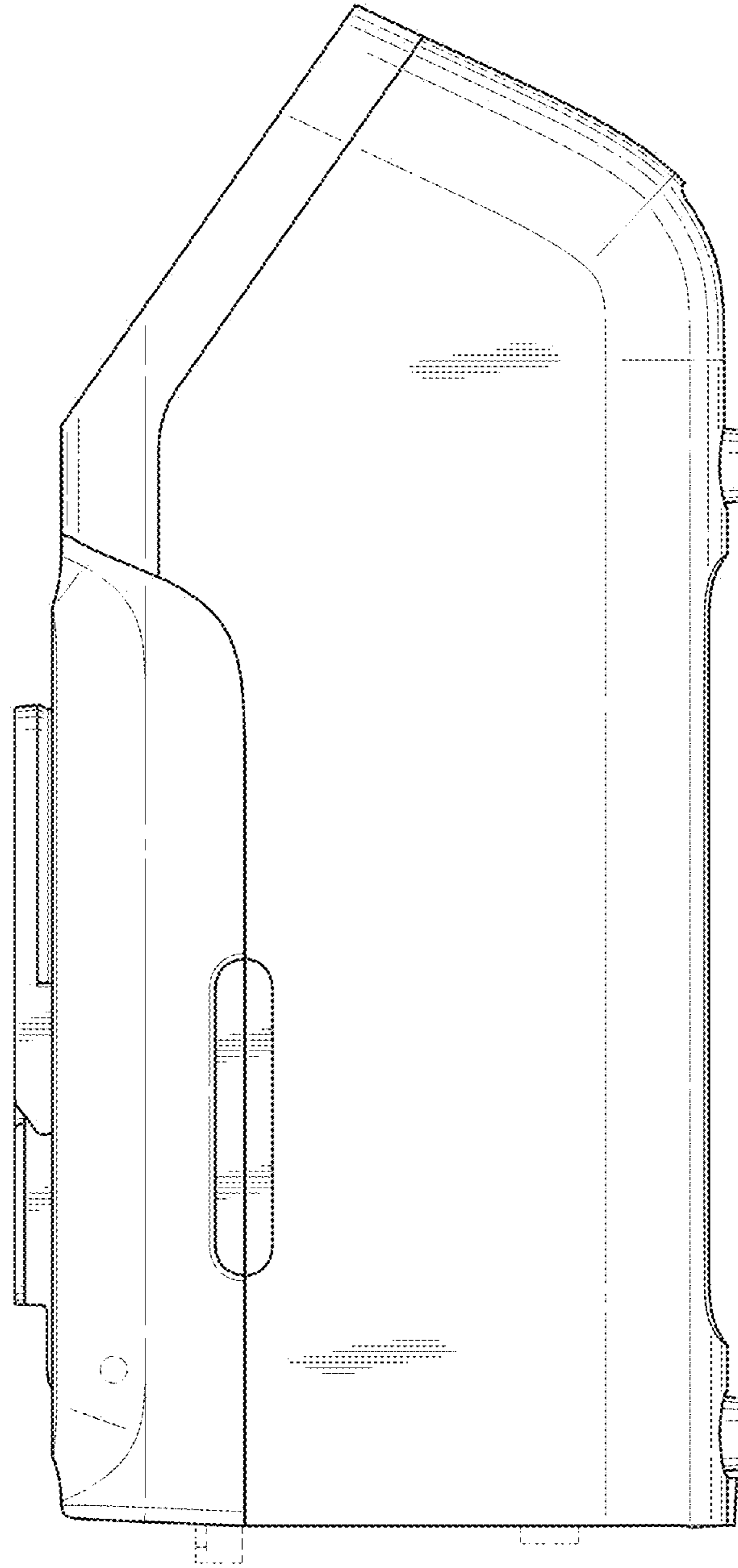


FIG. 12

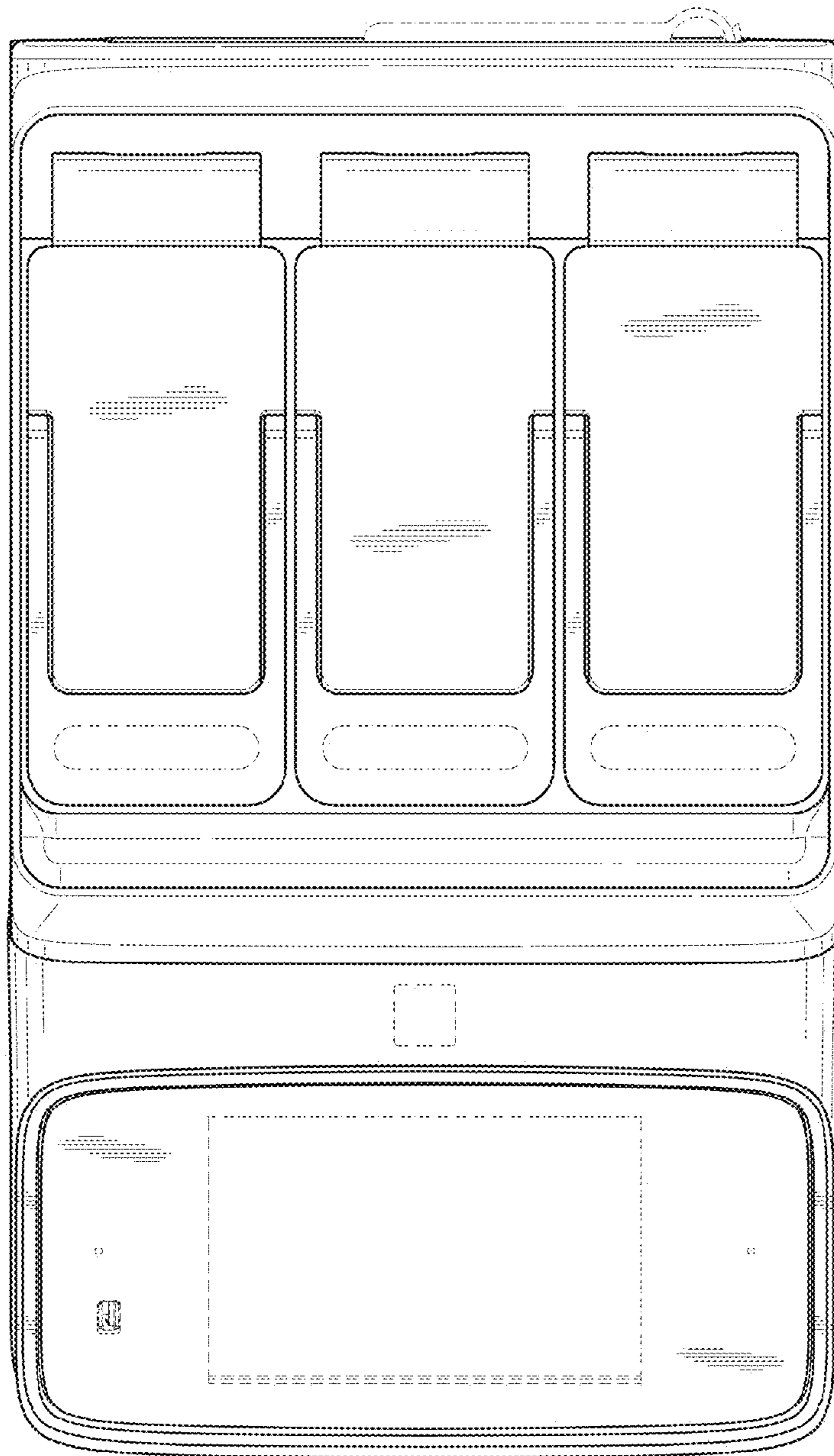


FIG. 13

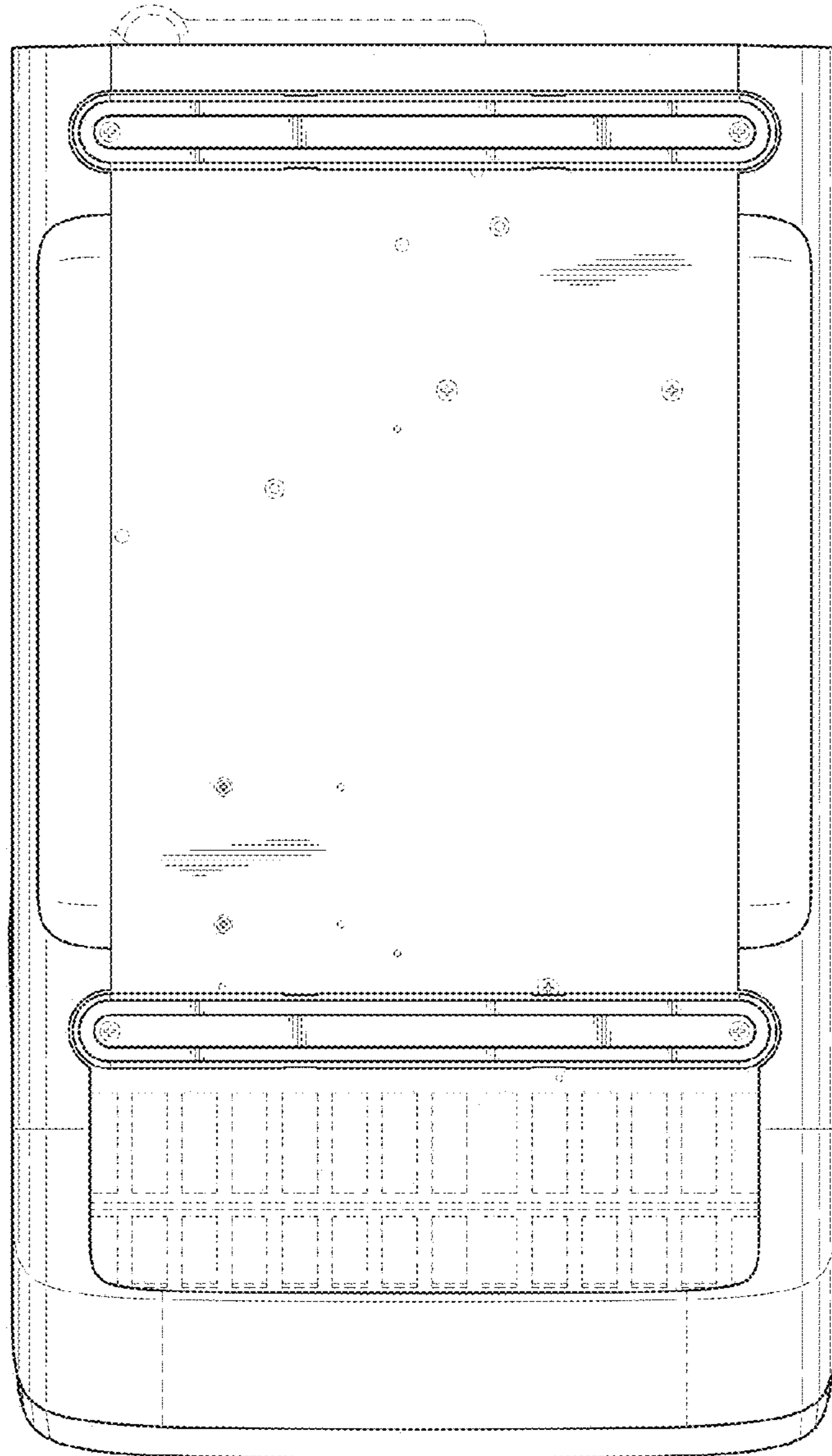


FIG. 14