



US00D717966S

(12) **United States Design Patent**
Elson

(10) **Patent No.:** **US D717,966 S**

(45) **Date of Patent:** **** Nov. 18, 2014**

(54) **STETHOSCOPE STERILIZER**

(71) Applicant: **Jeffrey Alan Elson**, Westhampton, NY
(US)

(72) Inventor: **Jeffrey Alan Elson**, Westhampton, NY
(US)

(**) Term: **14 Years**

(21) Appl. No.: **29/487,477**

(22) Filed: **Apr. 9, 2014**

(51) **LOC (10) Cl.** **24-01**

(52) **U.S. Cl.**
USPC **D24/217**

(58) **Field of Classification Search**

USPC D24/216, 217, 218, 219, 227, 231, 232,
D24/163, 194, 197, 134; D32/1; 422/20, 21,
422/22, 24, 26, 297, 300, 303, 68.1, 436,
422/565; 220/529, 735; 206/370, 438;
219/438; 62/201, 288.3, 196.4

See application file for complete search history.

(56) **References Cited**

U.S. PATENT DOCUMENTS

3,985,511 A * 10/1976 Betts 422/561
D288,600 S * 3/1987 Vander Hout et al. D24/217
D309,013 S * 7/1990 Vander Hout D24/217

D404,488 S * 1/1999 Raimann D24/163
D413,987 S * 9/1999 Eberle D24/219
D433,147 S * 10/2000 Florkey et al. D24/217
D566,347 S * 4/2008 Cao et al. D32/1
D652,930 S * 1/2012 Okamoto et al. D24/163
2007/0158250 A1 * 7/2007 Dickinson et al. 210/184

* cited by examiner

Primary Examiner — Anhdao Doan

(74) *Attorney, Agent, or Firm* — Michael A. Adler; Davidoff
Hutcher & Citron LLP

(57) **CLAIM**

The ornamental design for a stethoscope sterilizer, as shown
and described.

DESCRIPTION

FIG. 1 is a top, front perspective view of the claimed design.
FIG. 2 is a top, rear perspective view of the claimed design.
FIG. 3 is a front elevational view of the claimed design.
FIG. 4 is a rear elevational view of the claimed design.
FIG. 5 is a top plan view of the claimed design.
FIG. 6 is a bottom plan view of the claimed design.
FIG. 7 is a left side elevational view of the claimed design;
and,
FIG. 8 is right side elevational view of the claimed design.
The broken lines are for illustrative purposes only and form
no part of the claimed design.

1 Claim, 4 Drawing Sheets

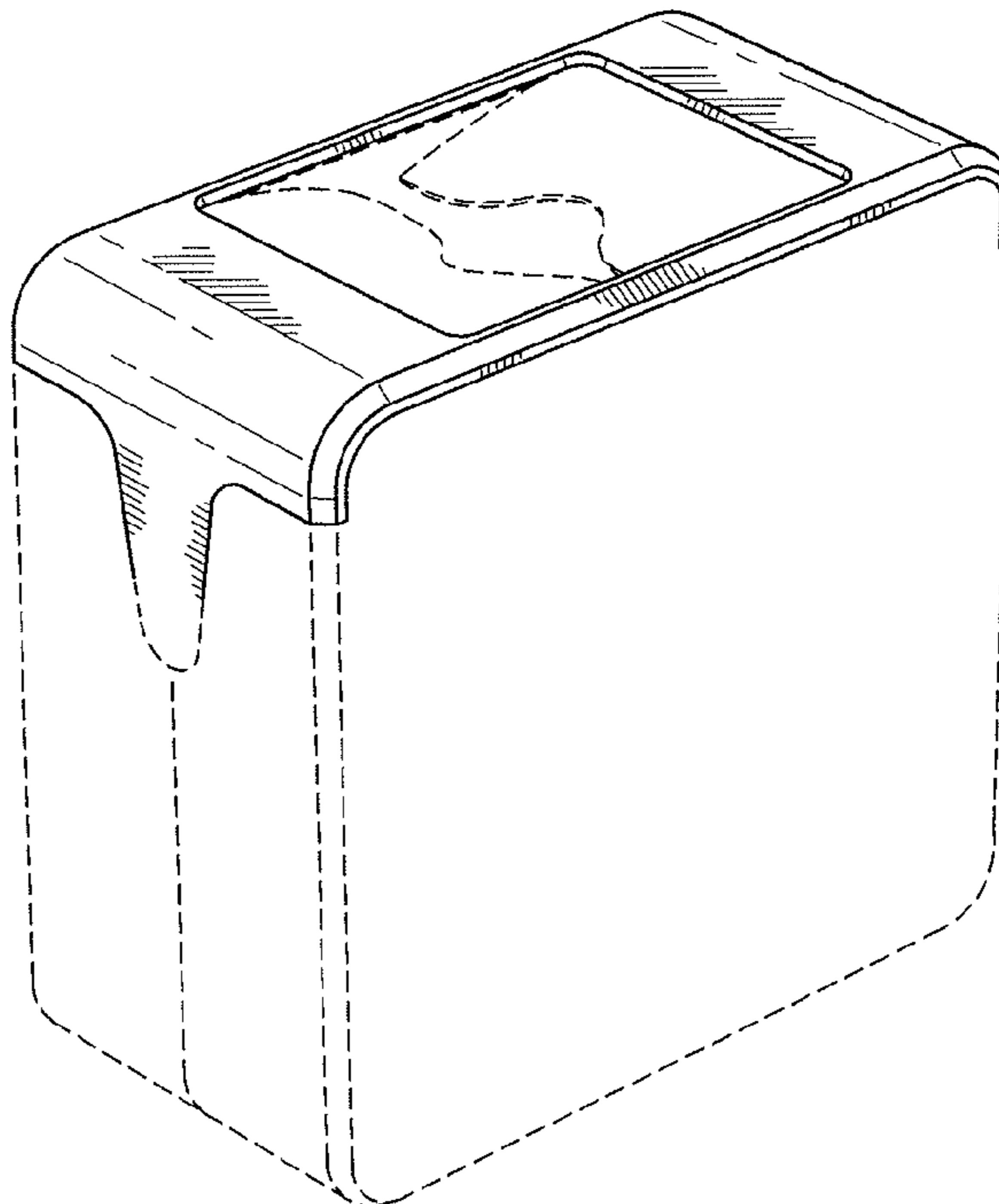


FIG. 1

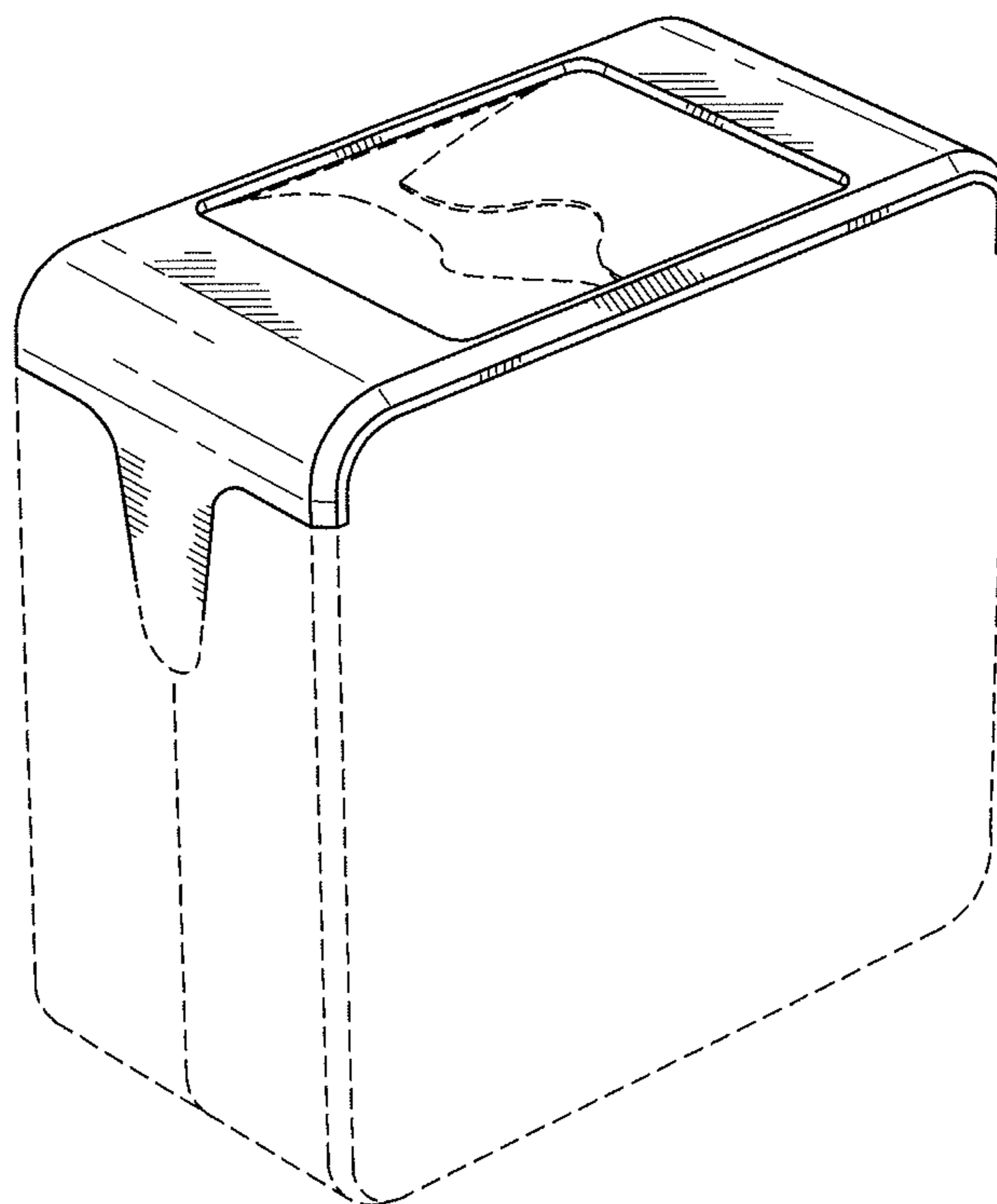
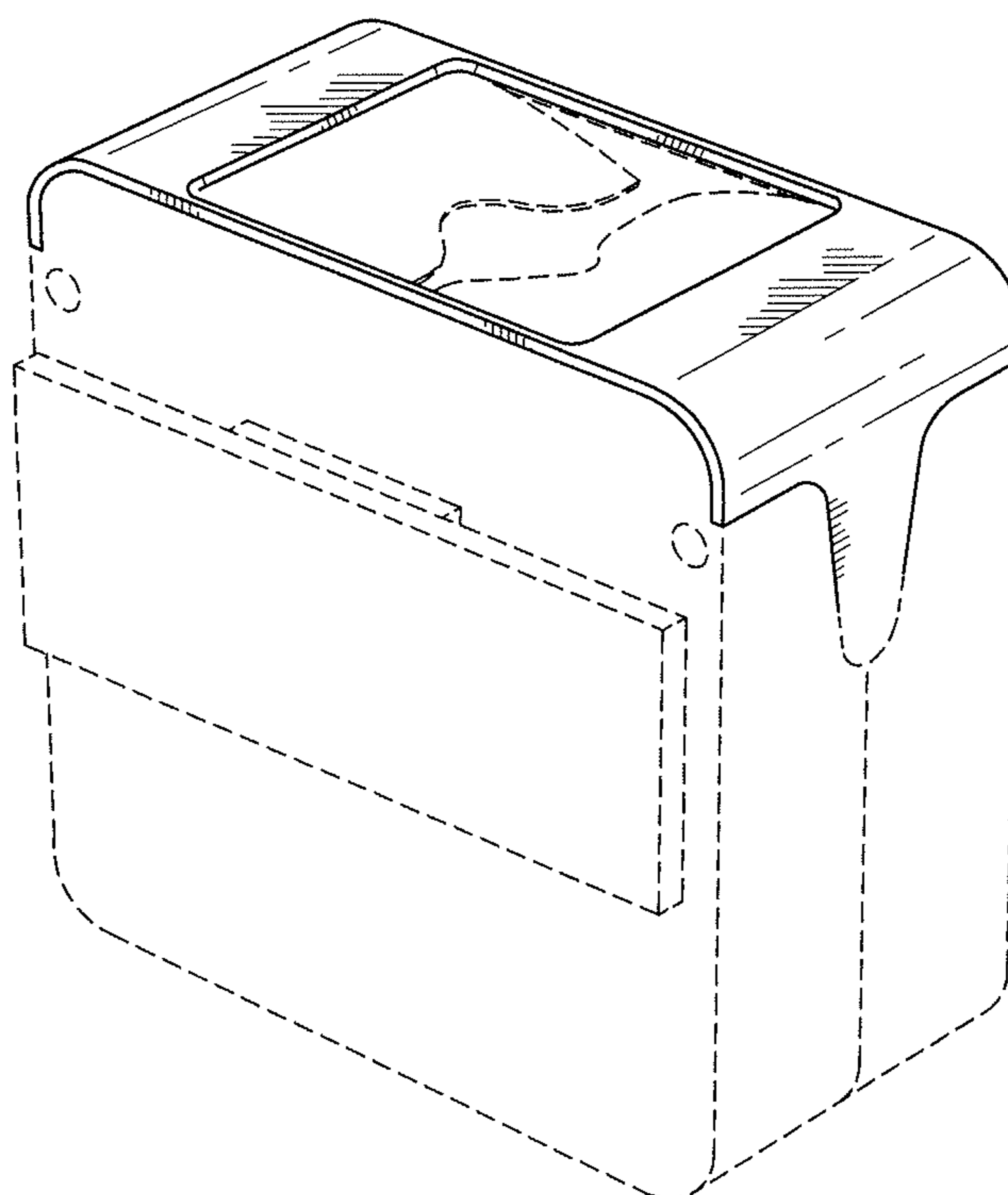


FIG. 2



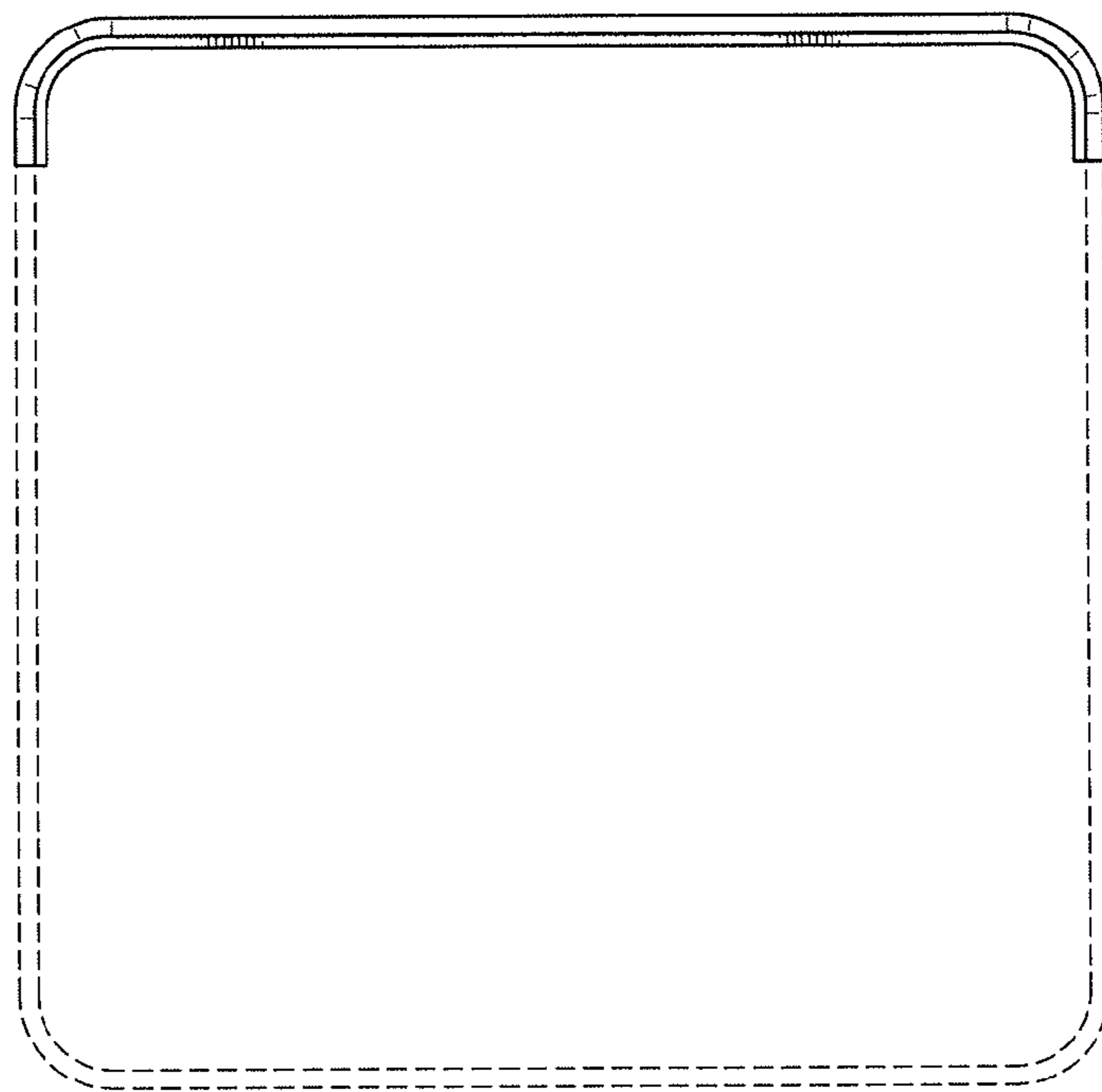


FIG. 3

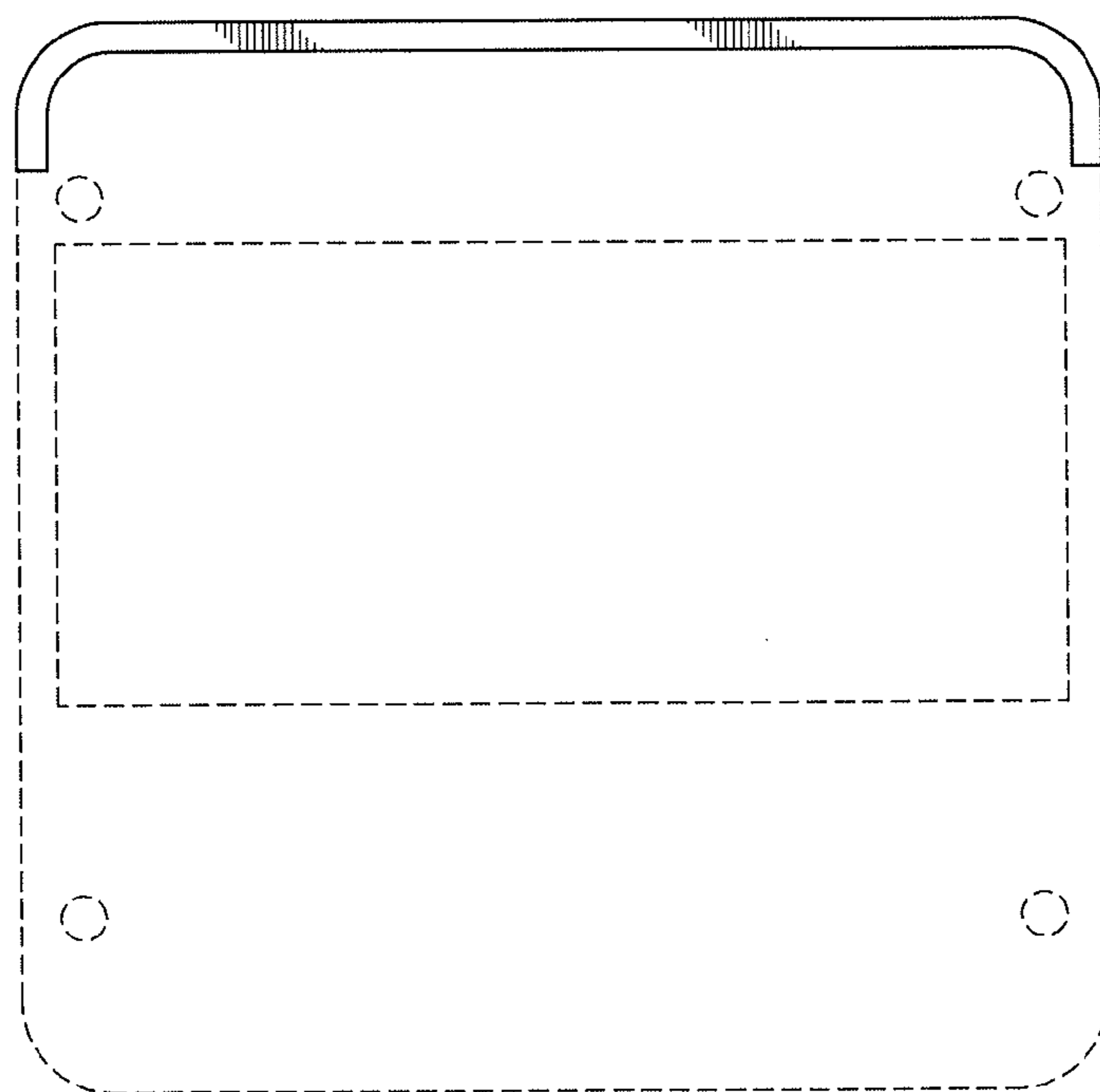


FIG. 4

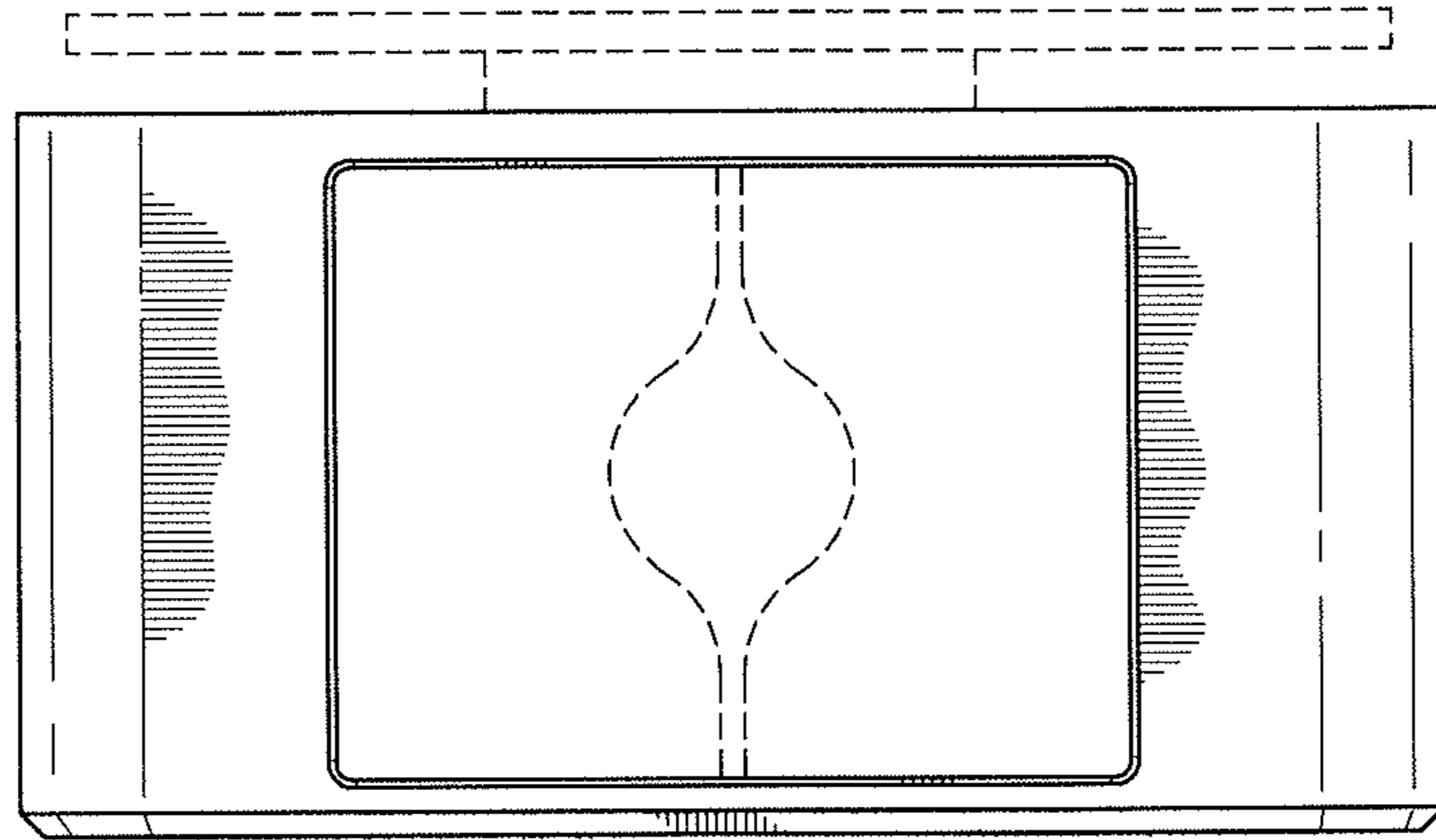


FIG. 5

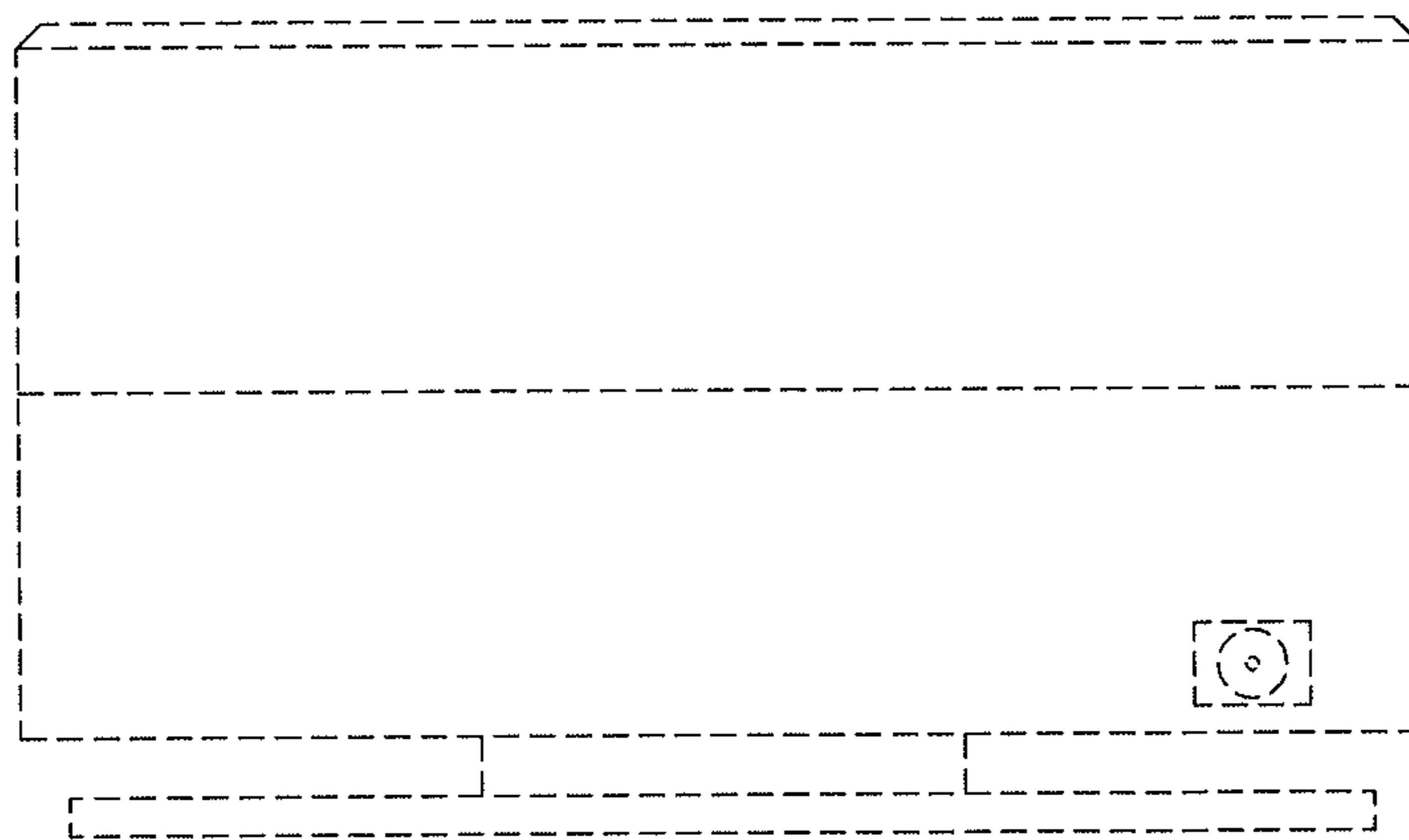


FIG. 6

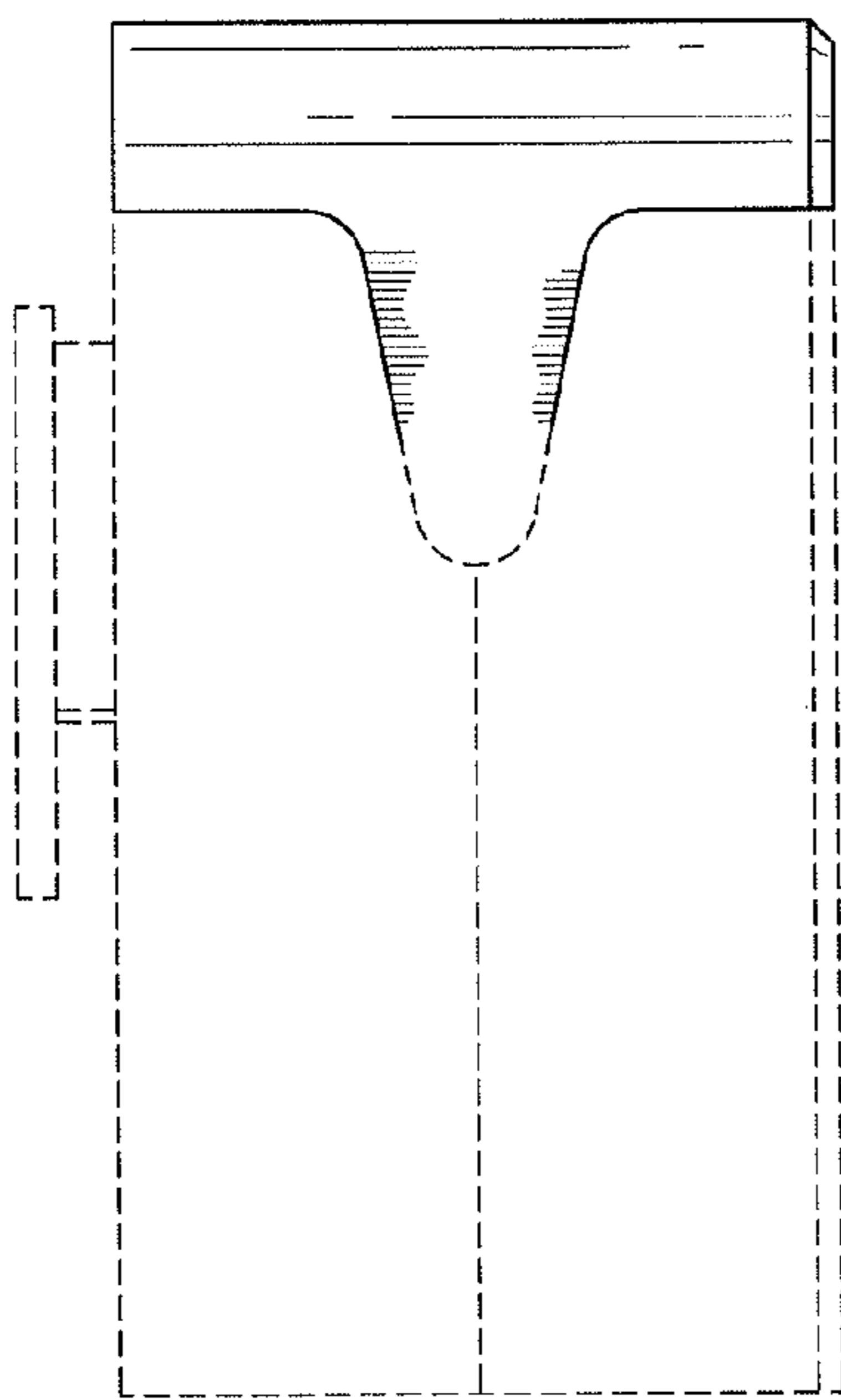


FIG. 7

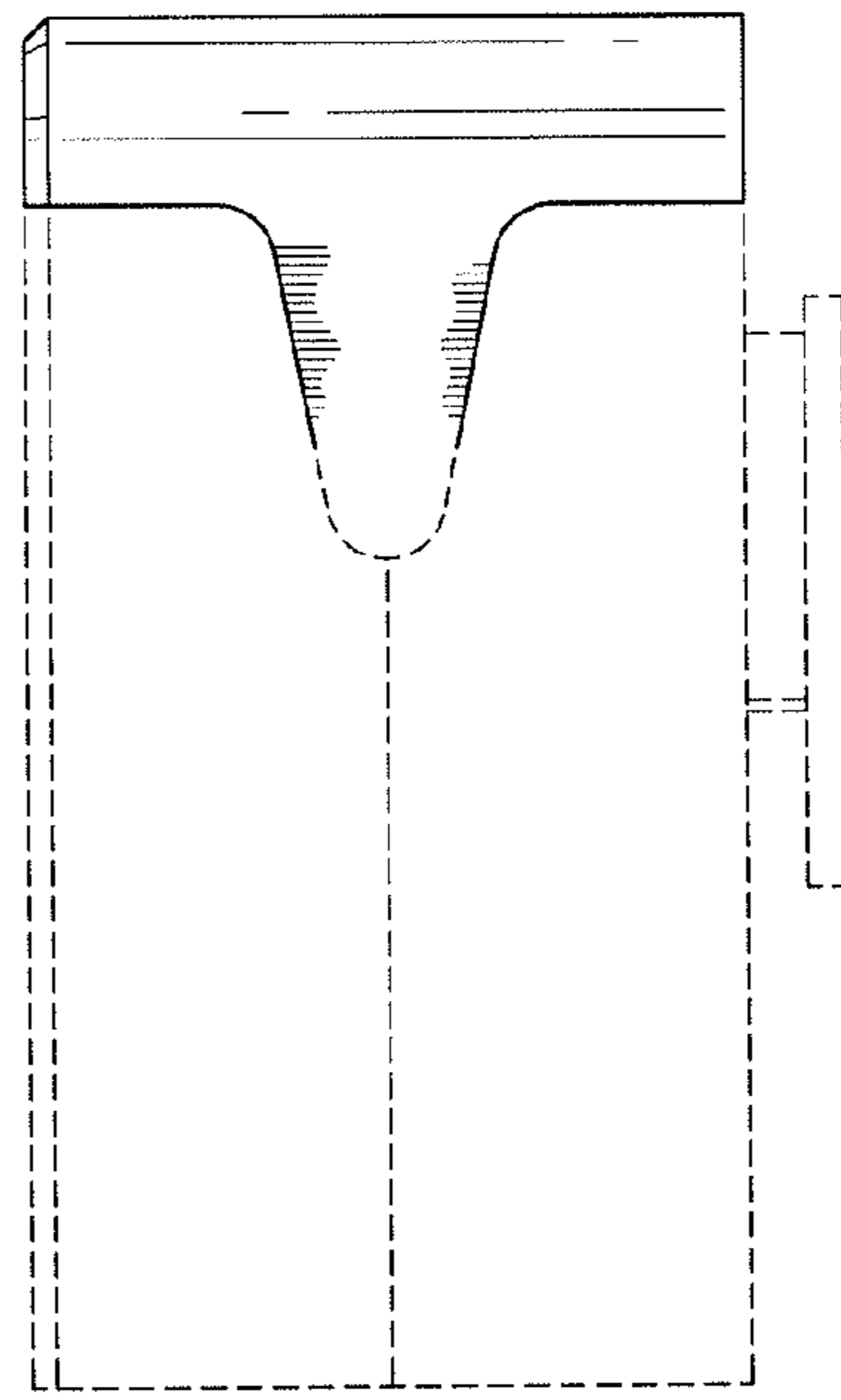


FIG. 8