



US00D717965S

(12) **United States Design Patent**  
**Sanga**

(10) **Patent No.:** **US D717,965 S**

(45) **Date of Patent:** **\*\* Nov. 18, 2014**

(54) **CLEANING APPARATUS FOR DENTAL  
HANDPIECE**

D643,163 S \* 8/2011 Kessler et al. .... D32/1  
D679,934 S \* 4/2013 Majdecki, Jr. .... D7/326  
2006/0251540 A1\* 11/2006 Benning et al. .... 422/26

(71) Applicant: **Toshinari Sanga**, Kanuma (JP)

\* cited by examiner

(72) Inventor: **Toshinari Sanga**, Kanuma (JP)

*Primary Examiner* — Anhdao Doan

(73) Assignee: **Nakanishi Inc.**, Kanumi-shi (JP)

(74) *Attorney, Agent, or Firm* — Jason D. Voight

(\*\*) Term: **14 Years**

(57) **CLAIM**

The ornamental design for a cleaning apparatus for dental handpiece, as shown and described.

(21) Appl. No.: **29/446,514**

**DESCRIPTION**

(22) Filed: **Feb. 25, 2013**

(51) **LOC (10) Cl.** ..... **24-01**

(52) **U.S. Cl.**

USPC ..... **D24/217**

(58) **Field of Classification Search**

USPC ..... D24/216, 217, 218, 219, 227, 231, 176,  
D24/177, 194, 197; D3/200, 203.1; D32/1;  
422/20, 21, 22, 24, 26, 297, 300, 303;  
220/529, 735; 206/370, 438; D7/326

See application file for complete search history.

FIG. 1 is a front elevation of a cleaning apparatus for dental handpiece;

FIG. 2 is a rear elevation thereof;

FIG. 3 is a right side elevation thereof;

FIG. 4 is a left side elevation thereof;

FIG. 5 is a plan view thereof;

FIG. 6 is a bottom view thereof;

FIG. 7 is a perspective view thereof;

FIG. 8 is a perspective view thereof, with the front and top covers opened;

FIG. 9 is a front elevation thereof, with the front cover opened;

FIG. 10 is a right side elevation thereof, with the front cover opened; and

FIG. 11 is a sectional view thereof taken along lines 11-11 in FIG. 1, with a part of the inside structure omitted; and,

FIG. 12 is a referential view thereof, in a state of use.

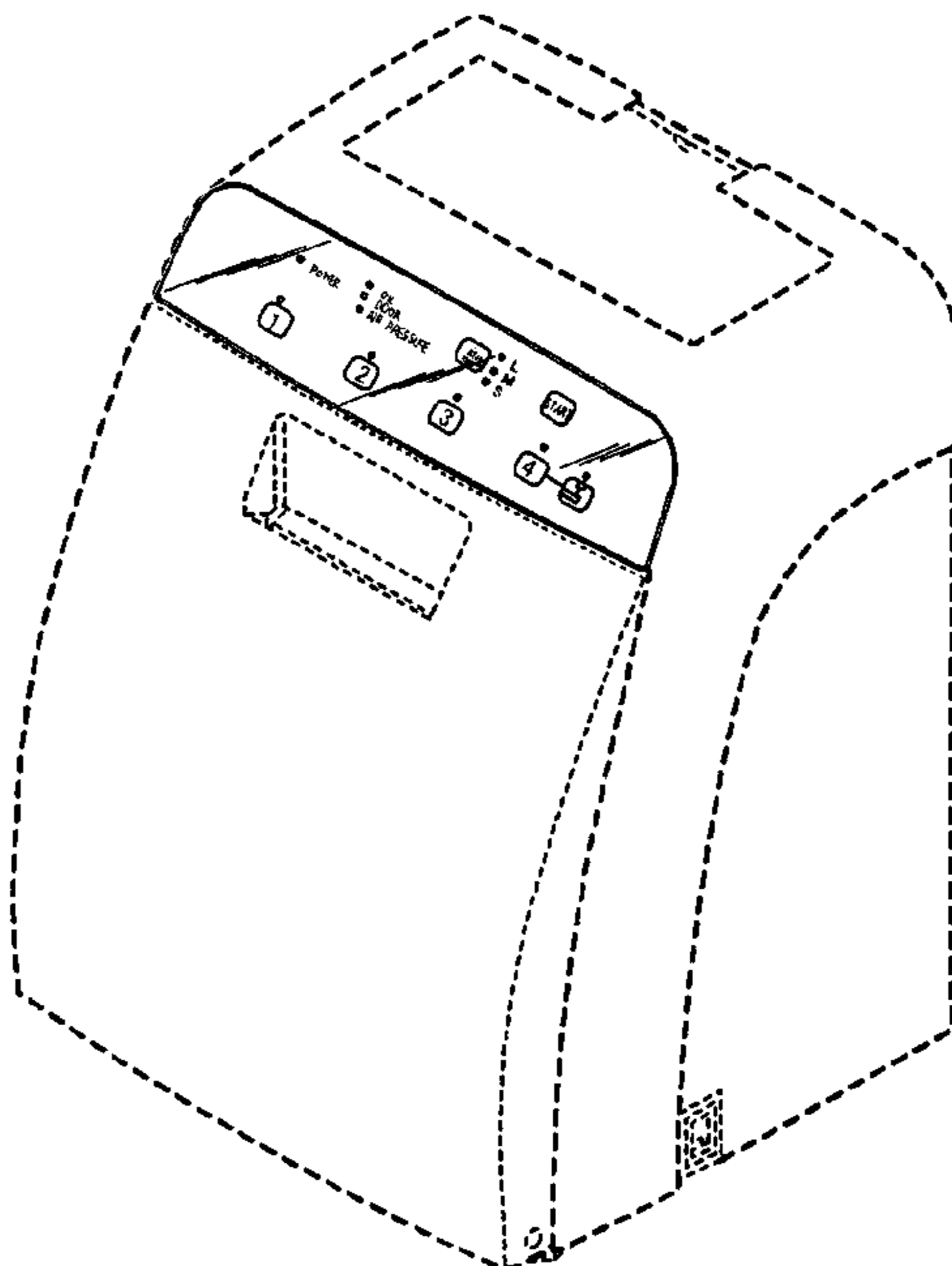
The broken lines are included for the purpose of illustrating portions of the cleaning apparatus for dental handpiece that form no part of the claimed design.

(56) **References Cited**

**U.S. PATENT DOCUMENTS**

D303,570 S \* 9/1989 Eberle ..... D24/219  
D330,771 S \* 11/1992 Chaney et al. .... D24/217  
5,223,229 A \* 6/1993 Brucker ..... D24/217  
5,225,160 A \* 7/1993 Sanford et al. .... 422/28  
D549,664 S \* 8/2007 McDougal et al. .... D13/162  
D631,549 S \* 1/2011 Kagawa ..... D24/177  
D633,260 S \* 2/2011 Choi et al. .... D32/1

**1 Claim, 12 Drawing Sheets**



# FIG. 1

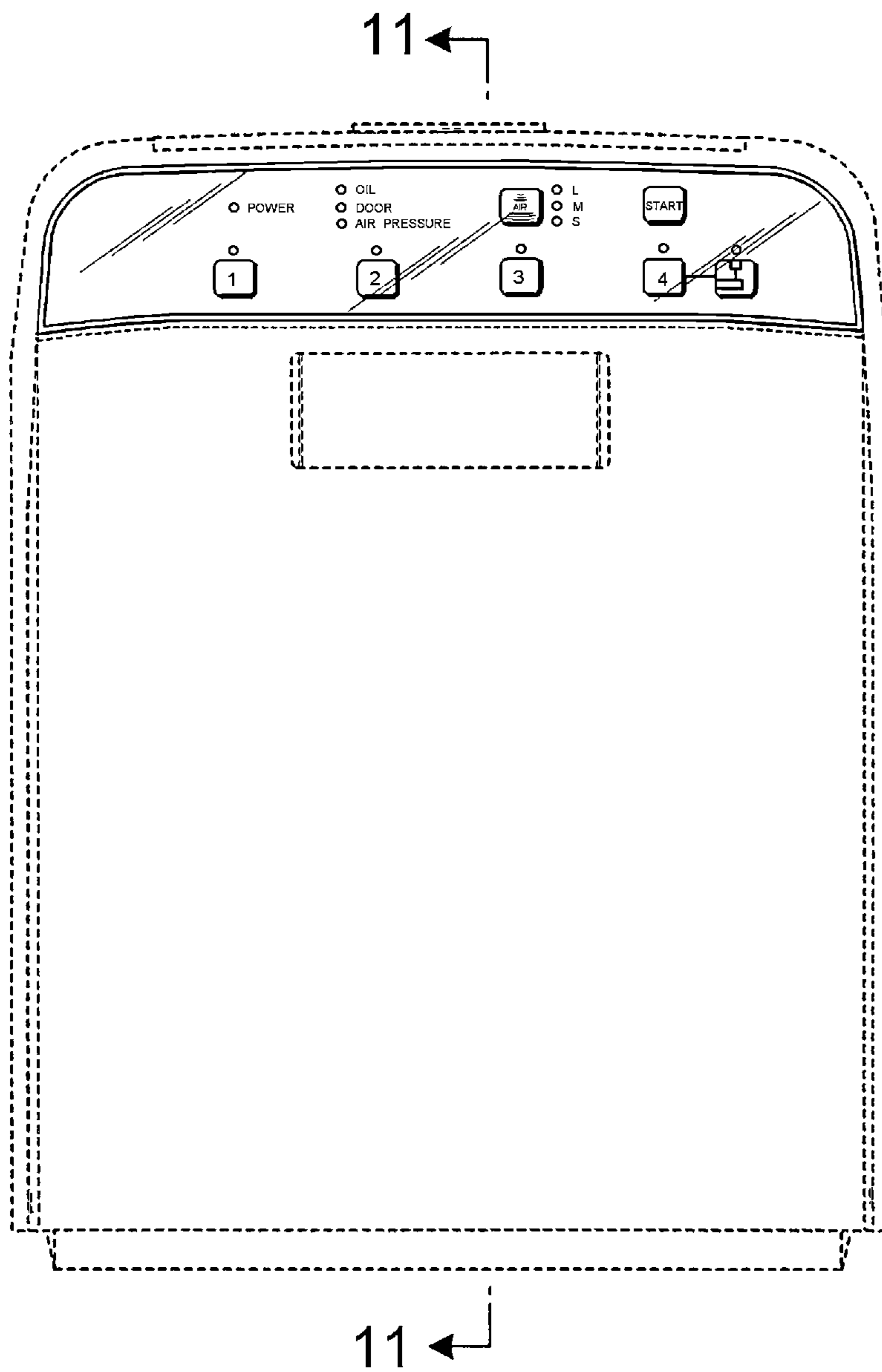
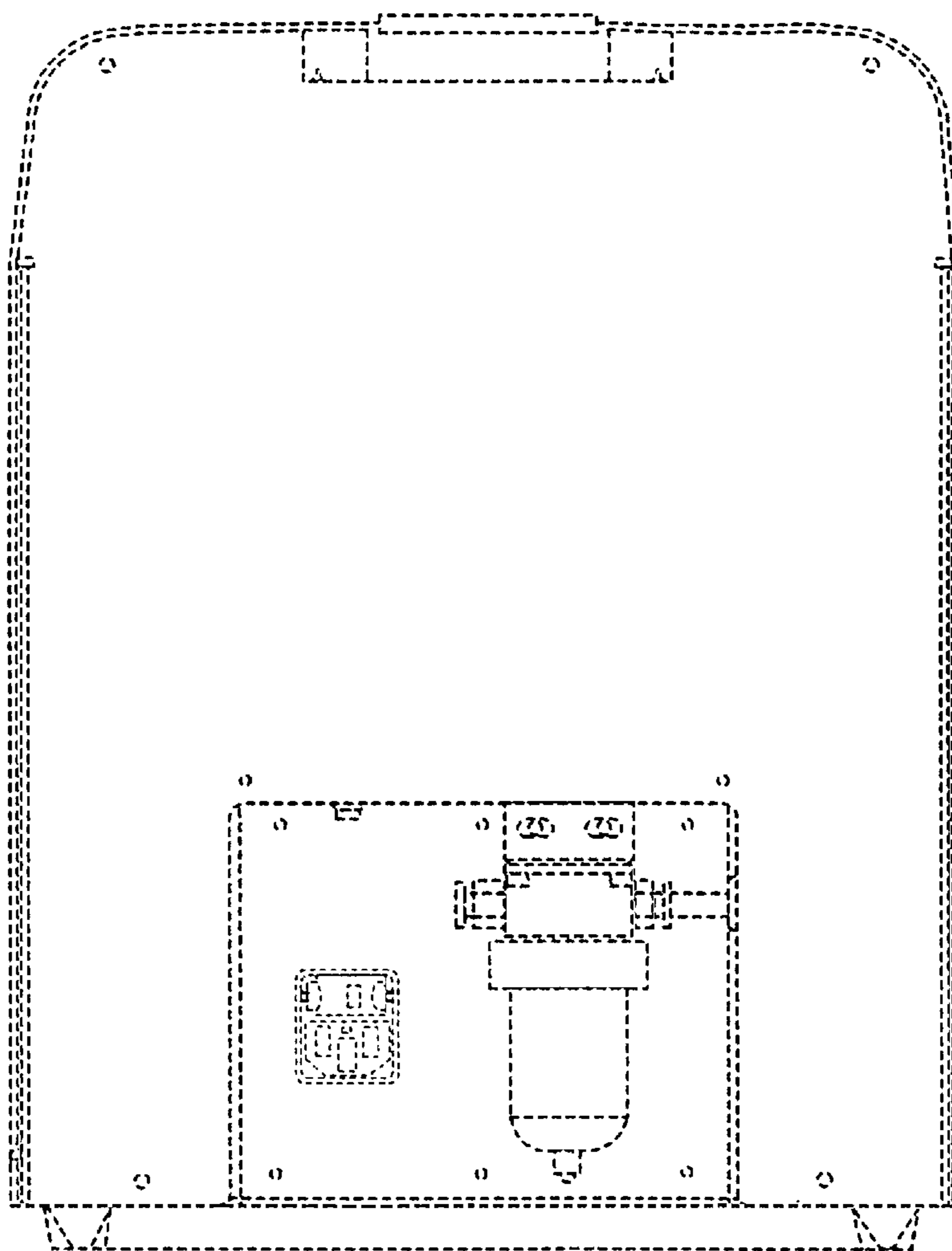
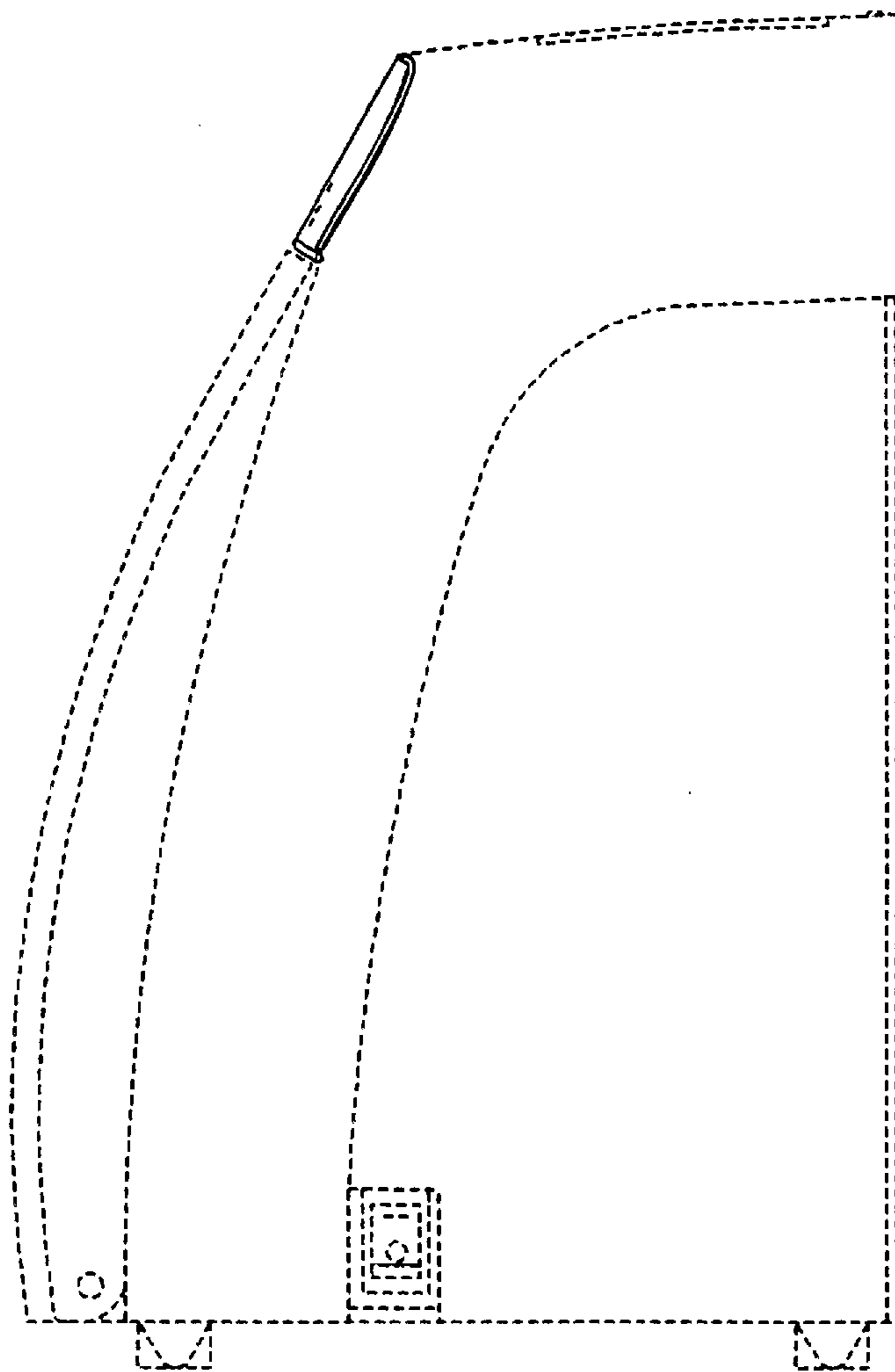


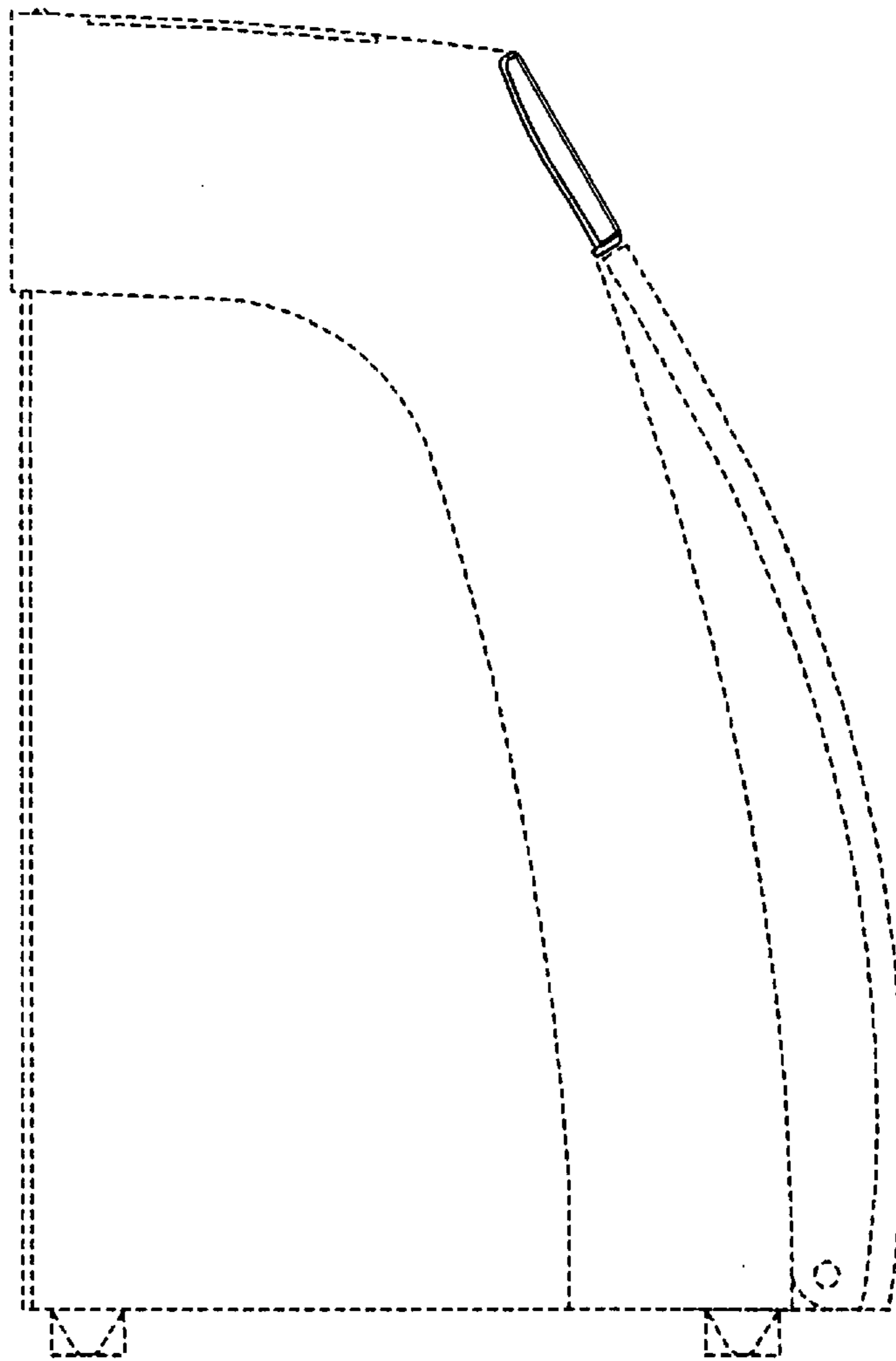
FIG. 2



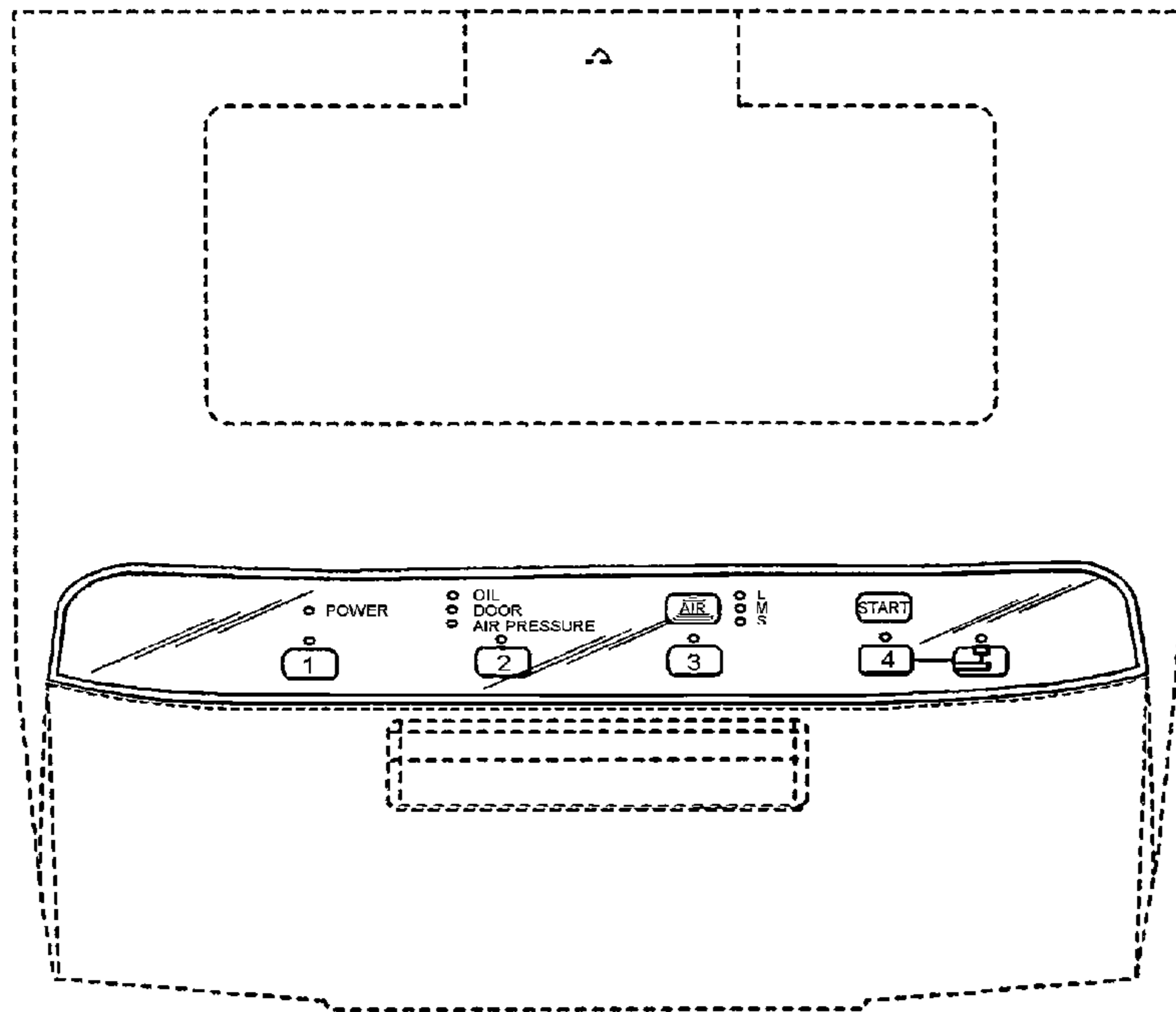
**FIG. 3**



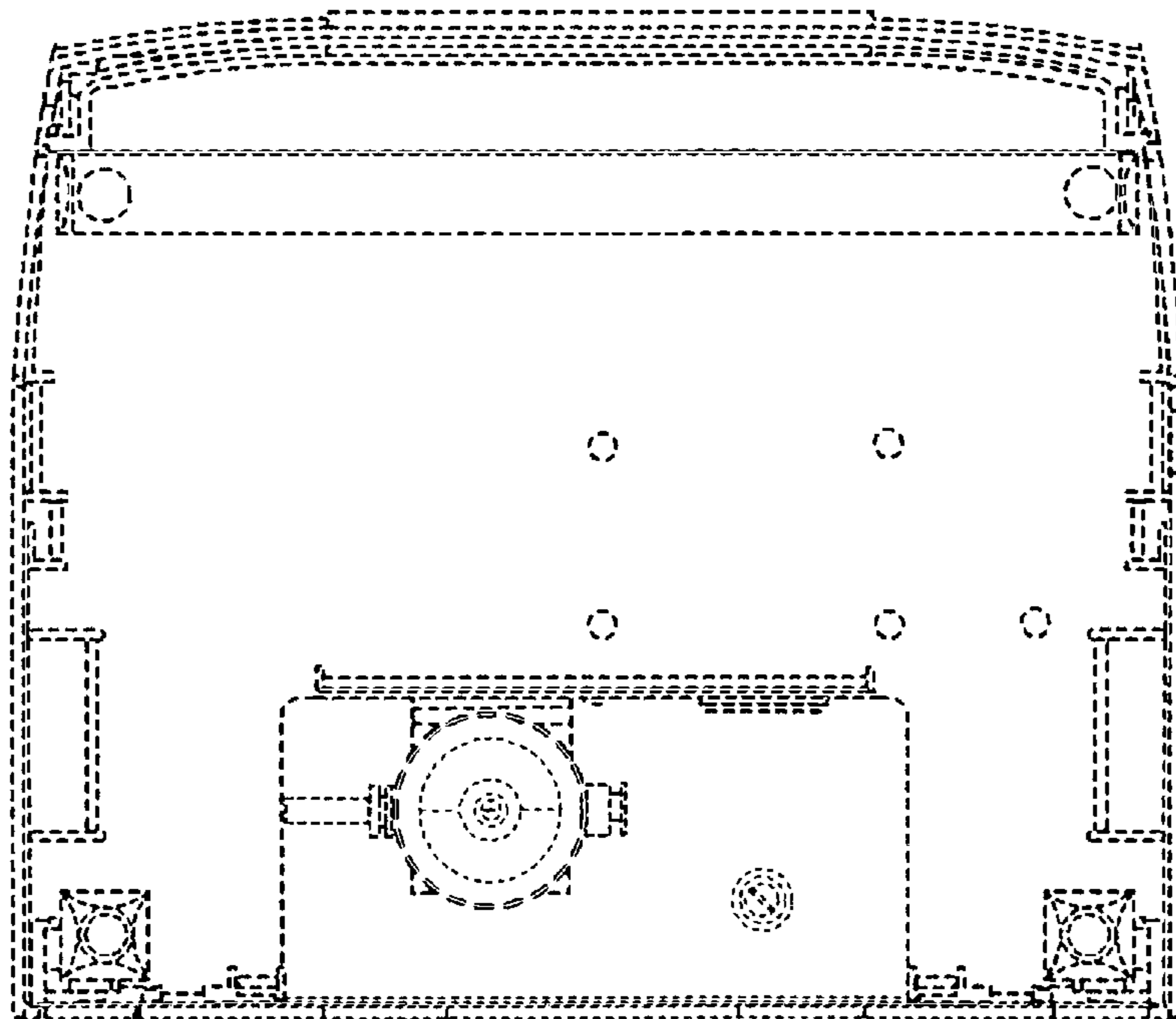
**FIG. 4**



# FIG. 5



**FIG. 6**



**FIG. 7**

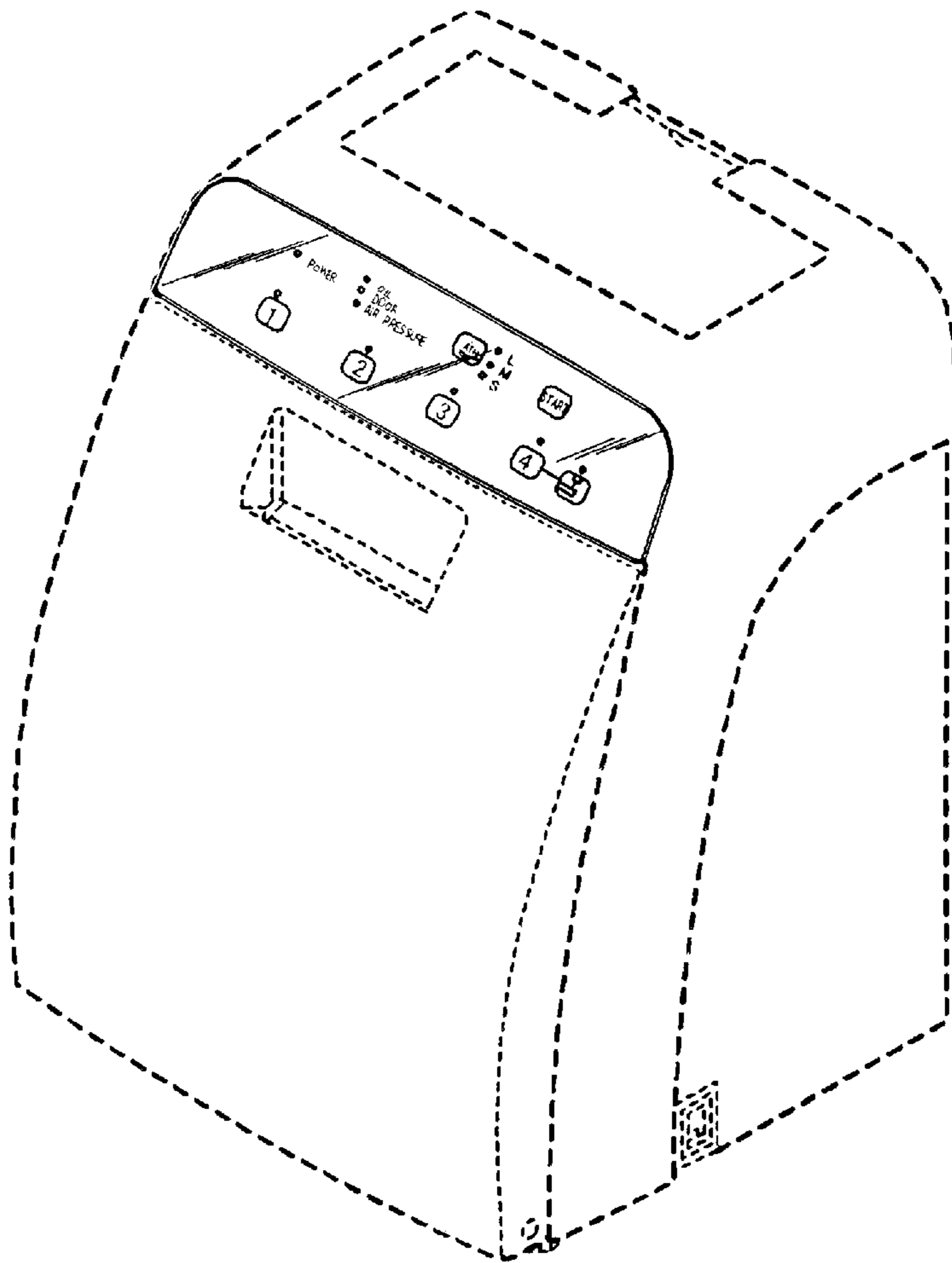
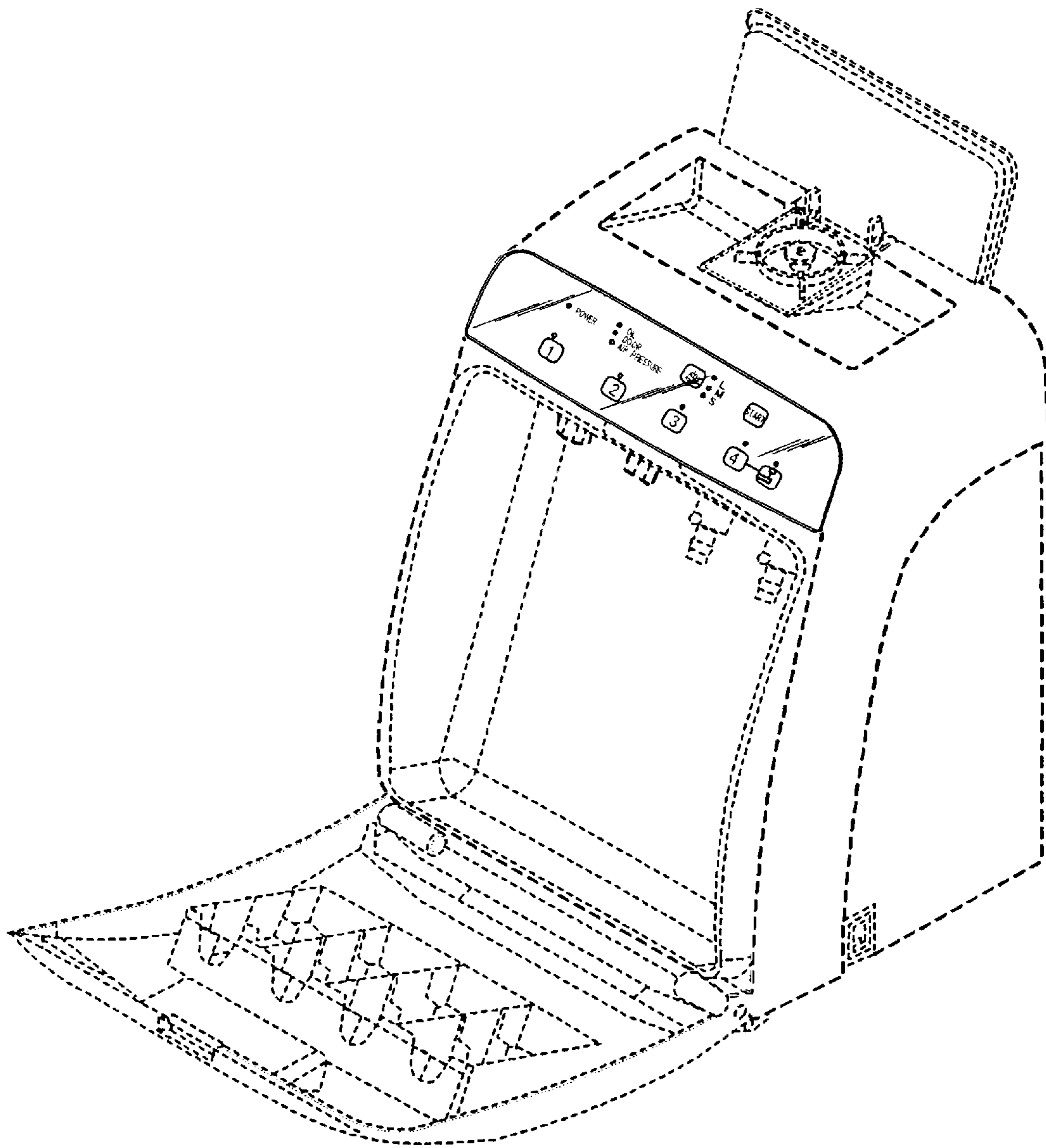
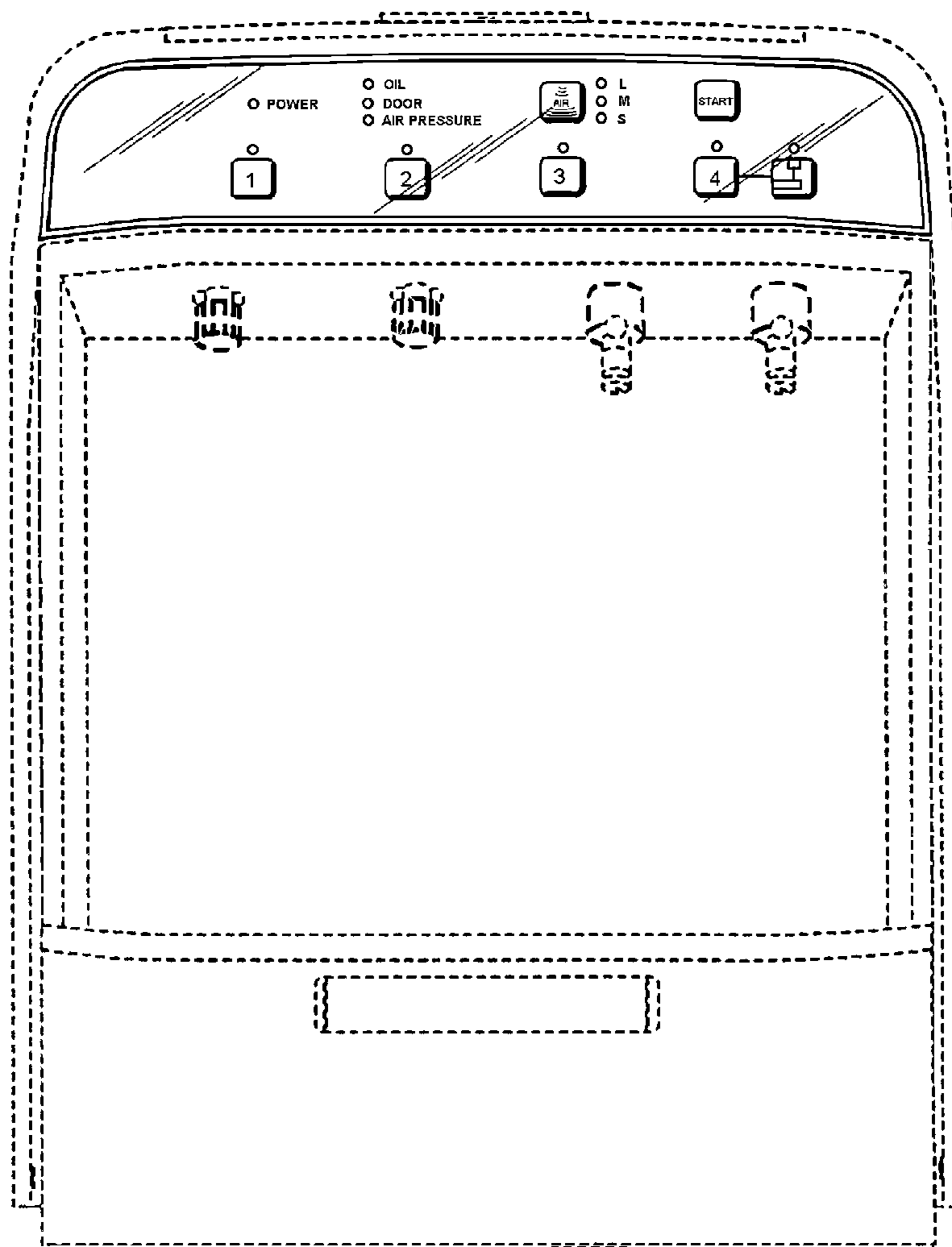


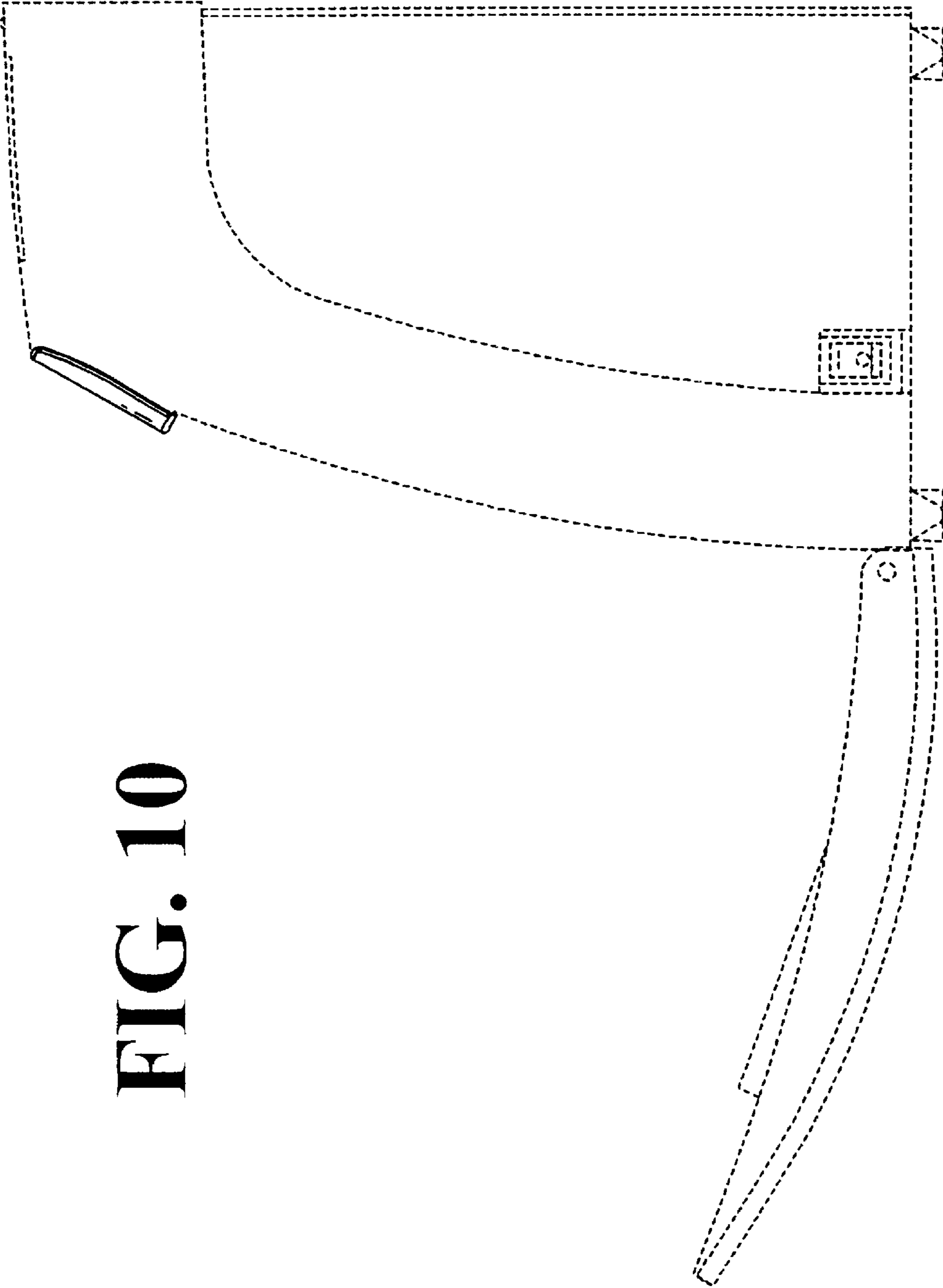


FIG. 8



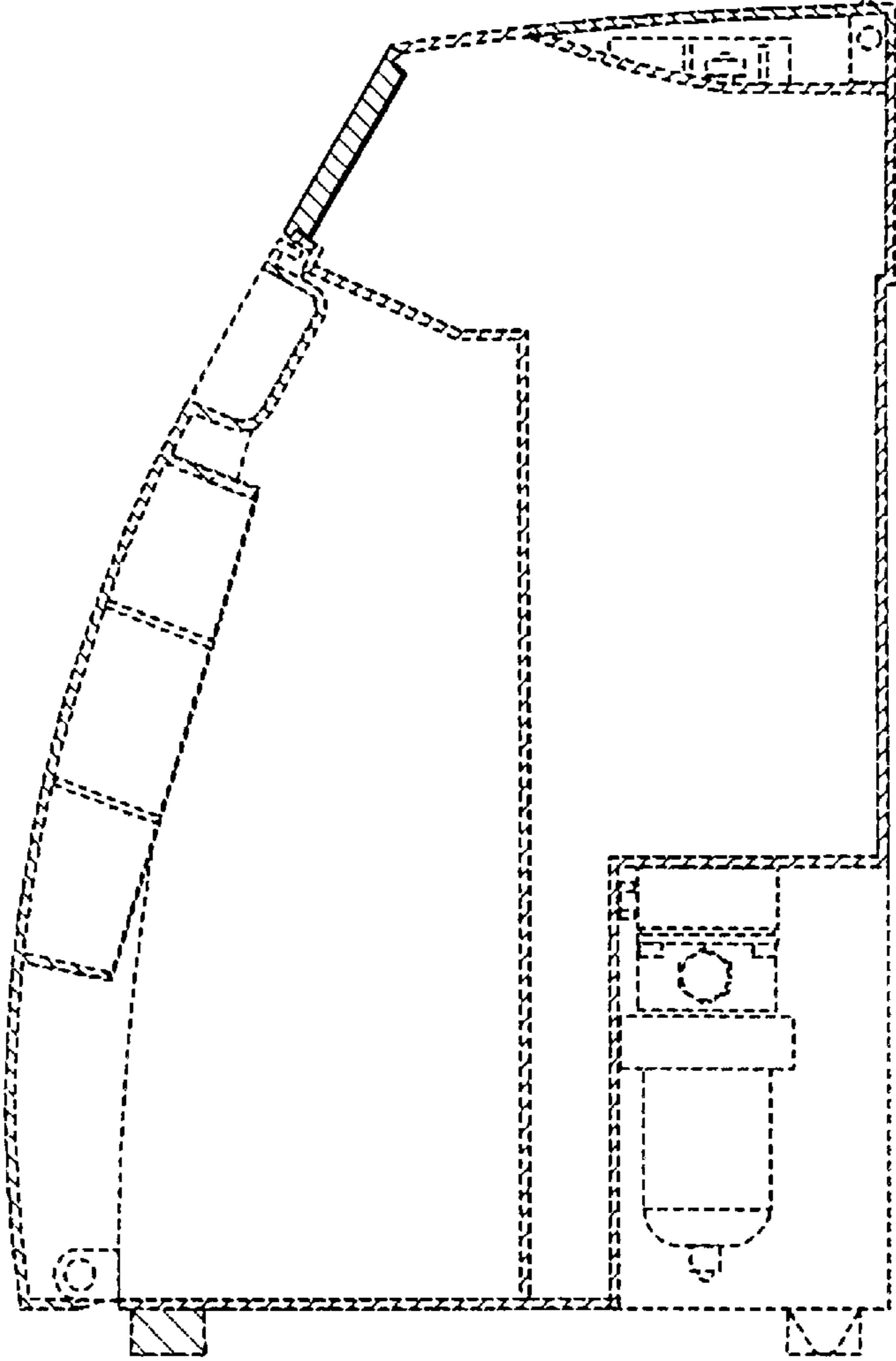
# FIG. 9





**FIG. 10**

**FIG. 11**



**FIG. 12**

