



US00D717959S

(12) **United States Design Patent**
Michel et al.

(10) **Patent No.:** **US D717,959 S**

(45) **Date of Patent:** **** Nov. 18, 2014**

(54) **OPEN EAR HEARING AID**

(56) **References Cited**

(71) Applicants: **Florent Michel**, Annemasse (FR);
Raphael Michel, Palo Alto, CA (US);
Daniel Shen, Stanford, CA (US); **Bret**
Herscher, Cupertino, CA (US); **Michael**
Perry, Los Altos, CA (US)

U.S. PATENT DOCUMENTS

D591,732	S	*	5/2009	Burton	D14/205
D674,491	S	*	1/2013	Bailey et al.	D24/174
D681,212	S	*	4/2013	Larsen et al.	D24/174
2005/0238192	A1	*	10/2005	Ford et al.	381/322
2012/0219168	A1	*	8/2012	Zhao et al.	381/328
2012/0257774	A1	*	10/2012	Larsen et al.	381/328
2014/0153762	A1	*	6/2014	Shennib et al.	381/329

(72) Inventors: **Florent Michel**, Annemasse (FR);
Raphael Michel, Palo Alto, CA (US);
Daniel Shen, Stanford, CA (US); **Bret**
Herscher, Cupertino, CA (US); **Michael**
Perry, Los Altos, CA (US)

* cited by examiner

Primary Examiner — Anhdao Doan

(73) Assignee: **Aria Innovations, Inc.**, Los Altos, CA
(US)

(74) *Attorney, Agent, or Firm* — Francis Law Group

(**) Term: **14 Years**

(57) **CLAIM**

We claim the ornamental design for an open ear hearing aid,
as shown and described.

(21) Appl. No.: **29/486,468**

DESCRIPTION

(22) Filed: **Mar. 30, 2014**

(51) **LOC (10) Cl.** **24-99**

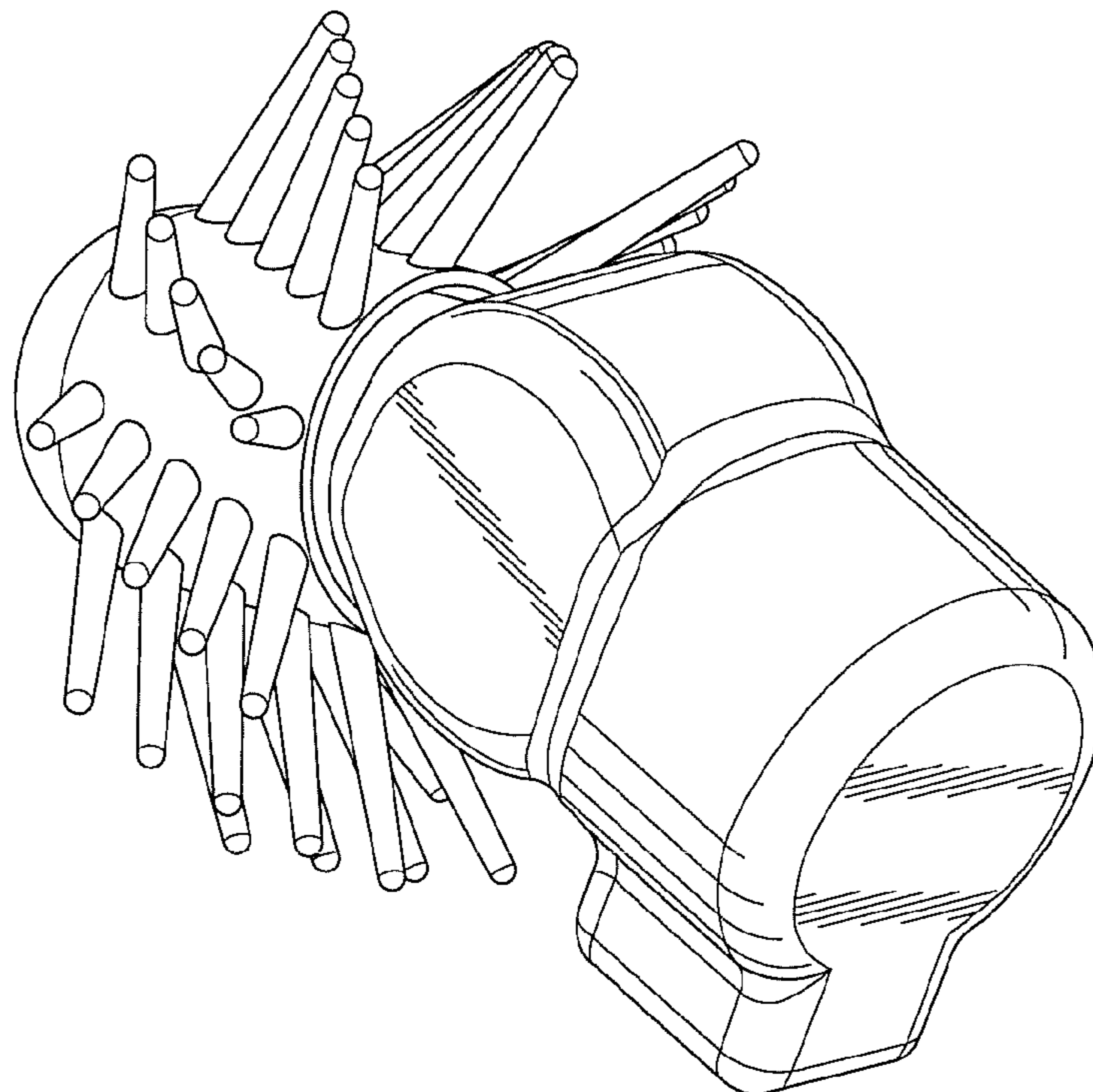
(52) **U.S. Cl.**
USPC **D24/174**

(58) **Field of Classification Search**
USPC D24/173–175, 151, 106; D14/205, 206,
D14/223–226, 249; 381/23.1, 312,
381/322–324, 328, 330, 380, 381; 181/135,
181/130, 134, 137; D29/112

FIG. 1 is a perspective view of our new design for an open ear hearing aid;
FIG. 2 is a right side elevational view thereof;
FIG. 3 is a left side elevational view thereof;
FIG. 4 is a front elevational view thereof;
FIG. 5 is a rear elevational view thereof;
FIG. 6 is a top elevational view thereof; and,
FIG. 7 is a bottom elevational view thereof.

See application file for complete search history.

1 Claim, 4 Drawing Sheets



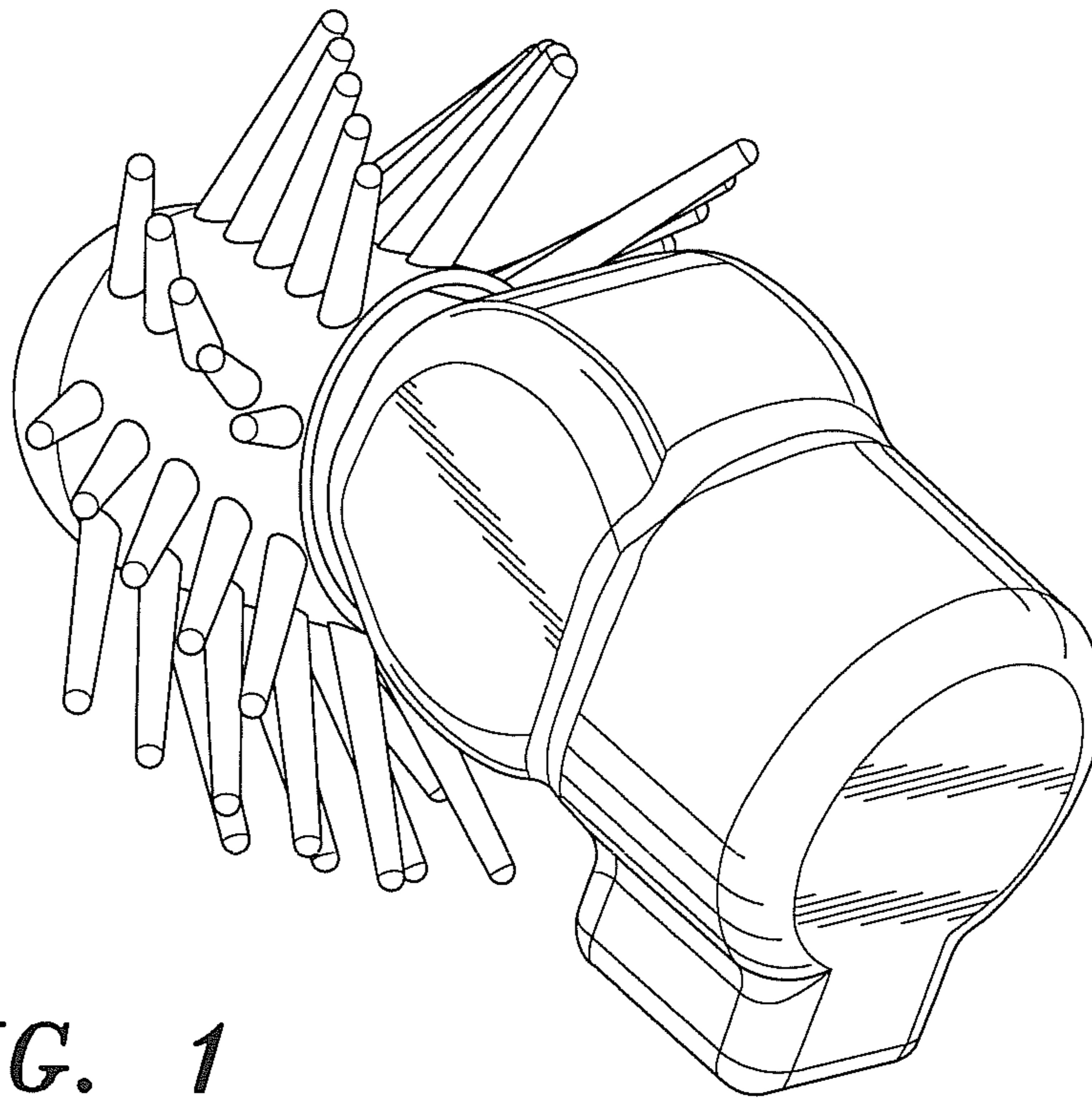


FIG. 1

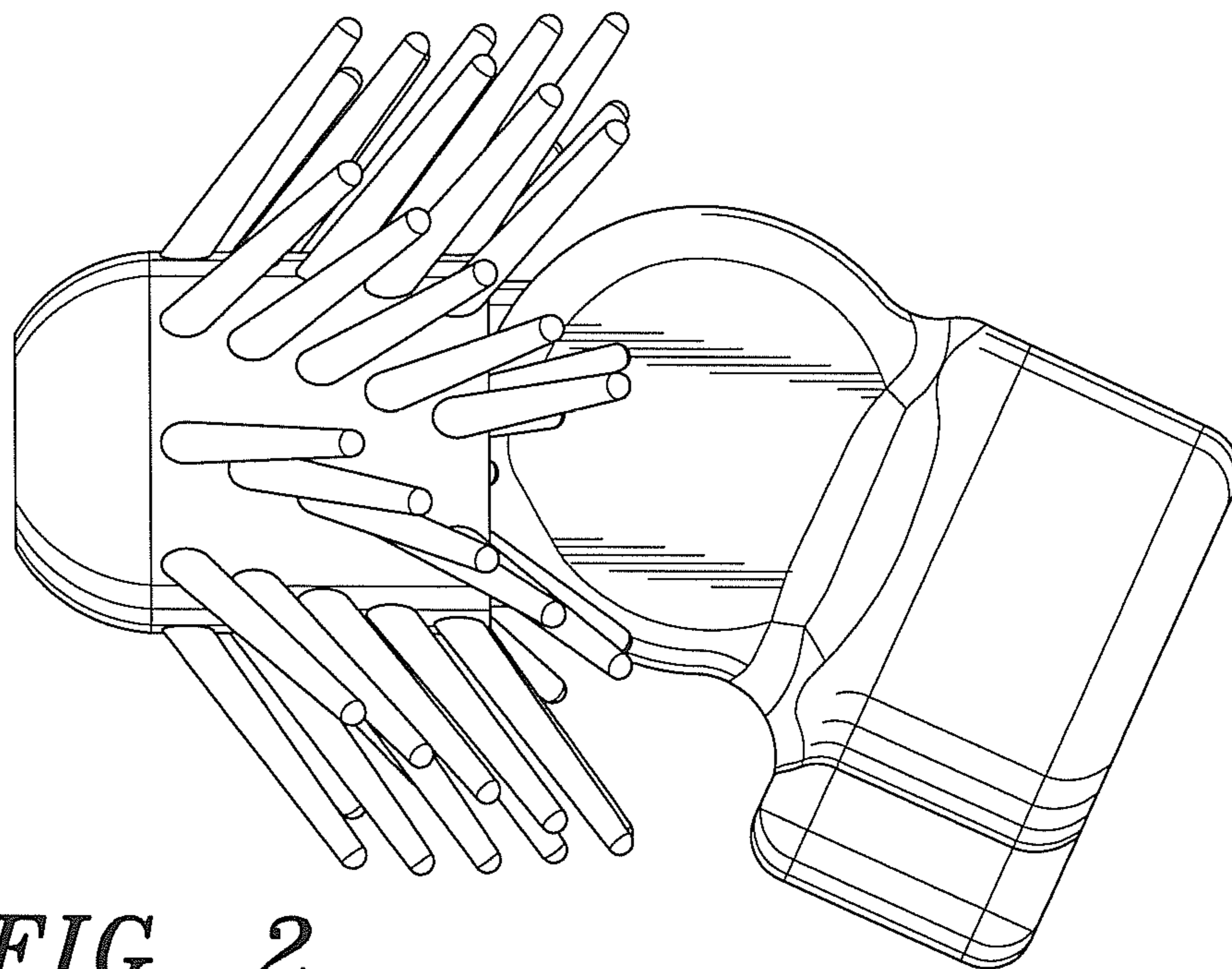


FIG. 2

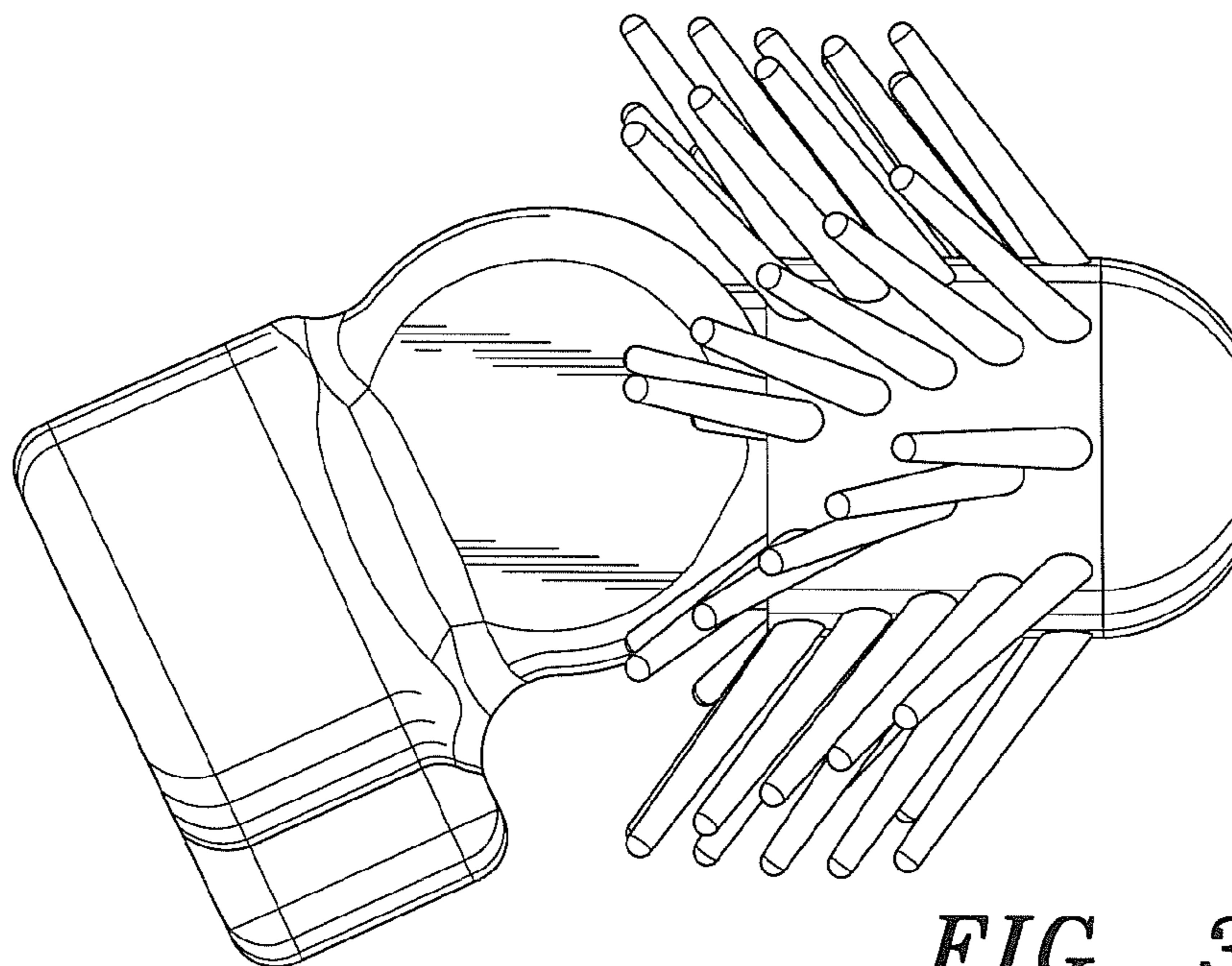


FIG. 3

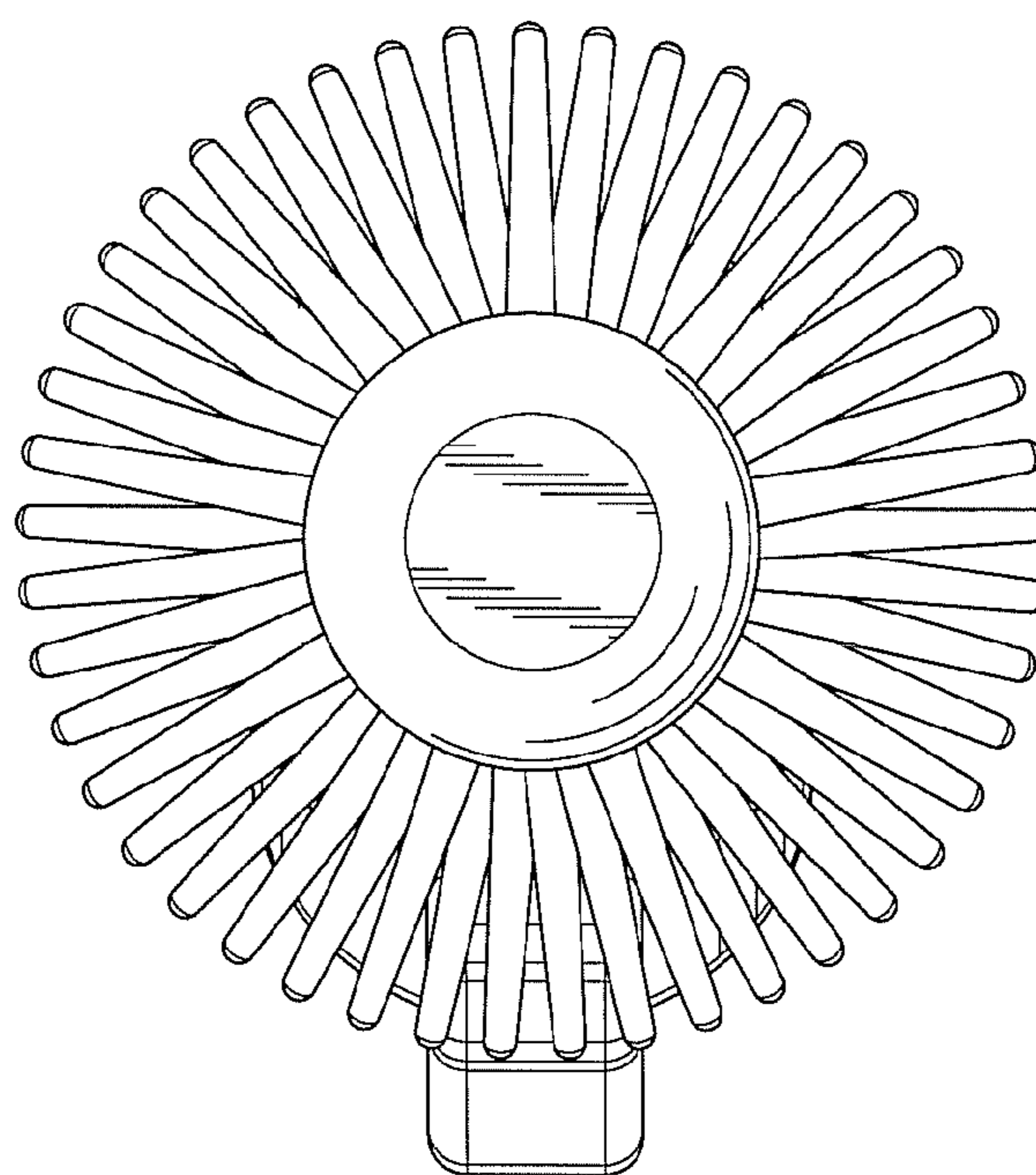


FIG. 4

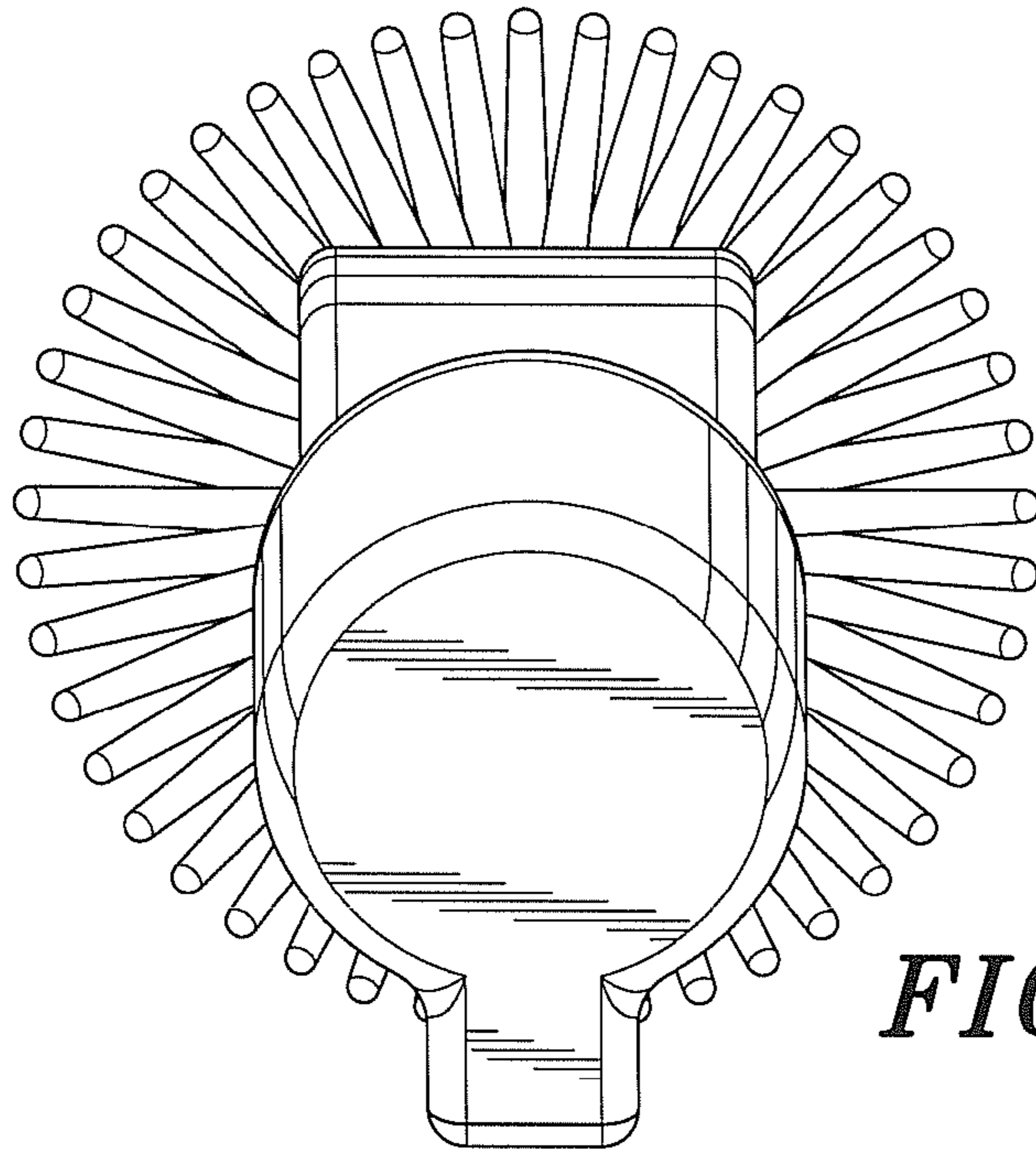


FIG. 5

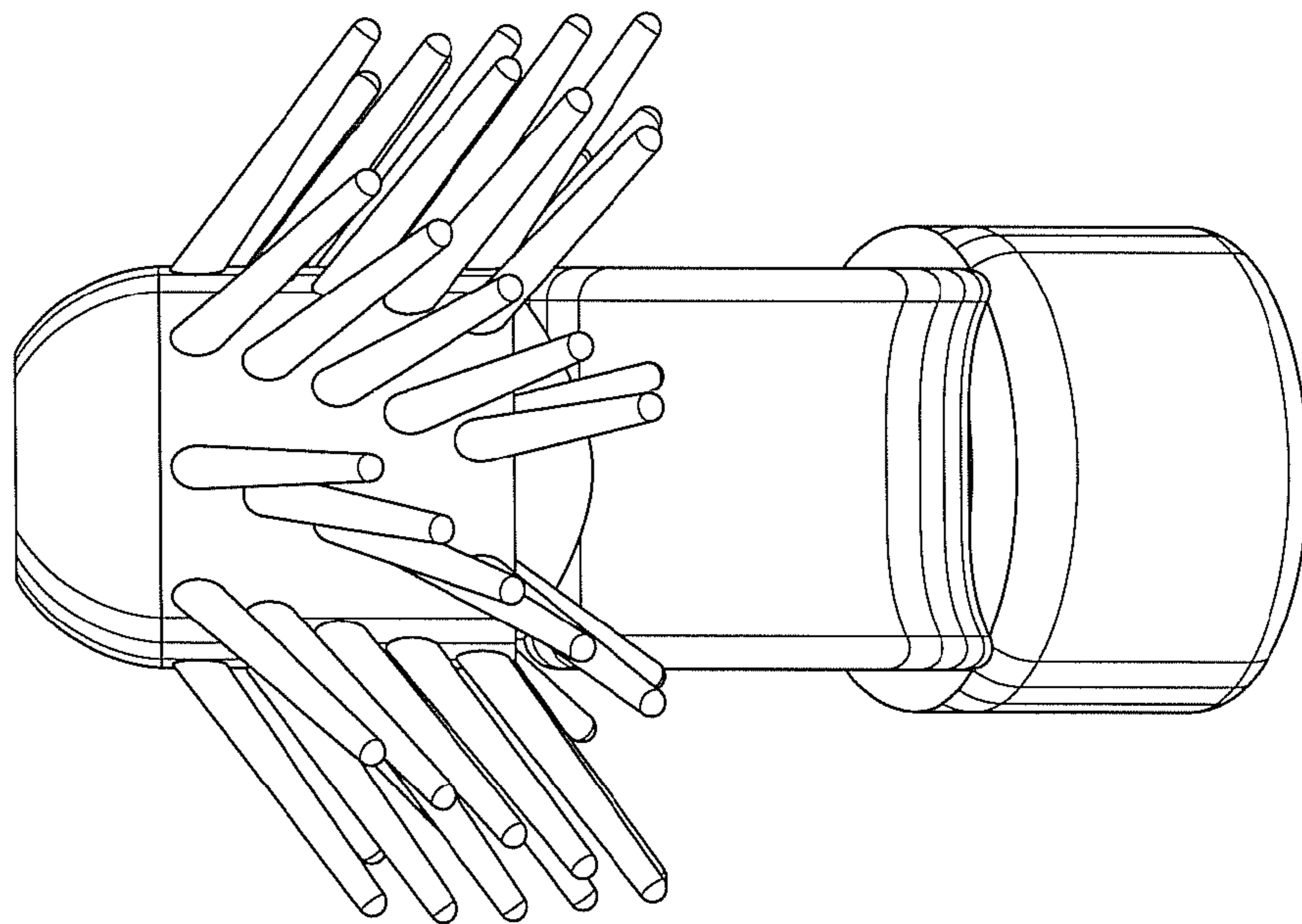


FIG. 6

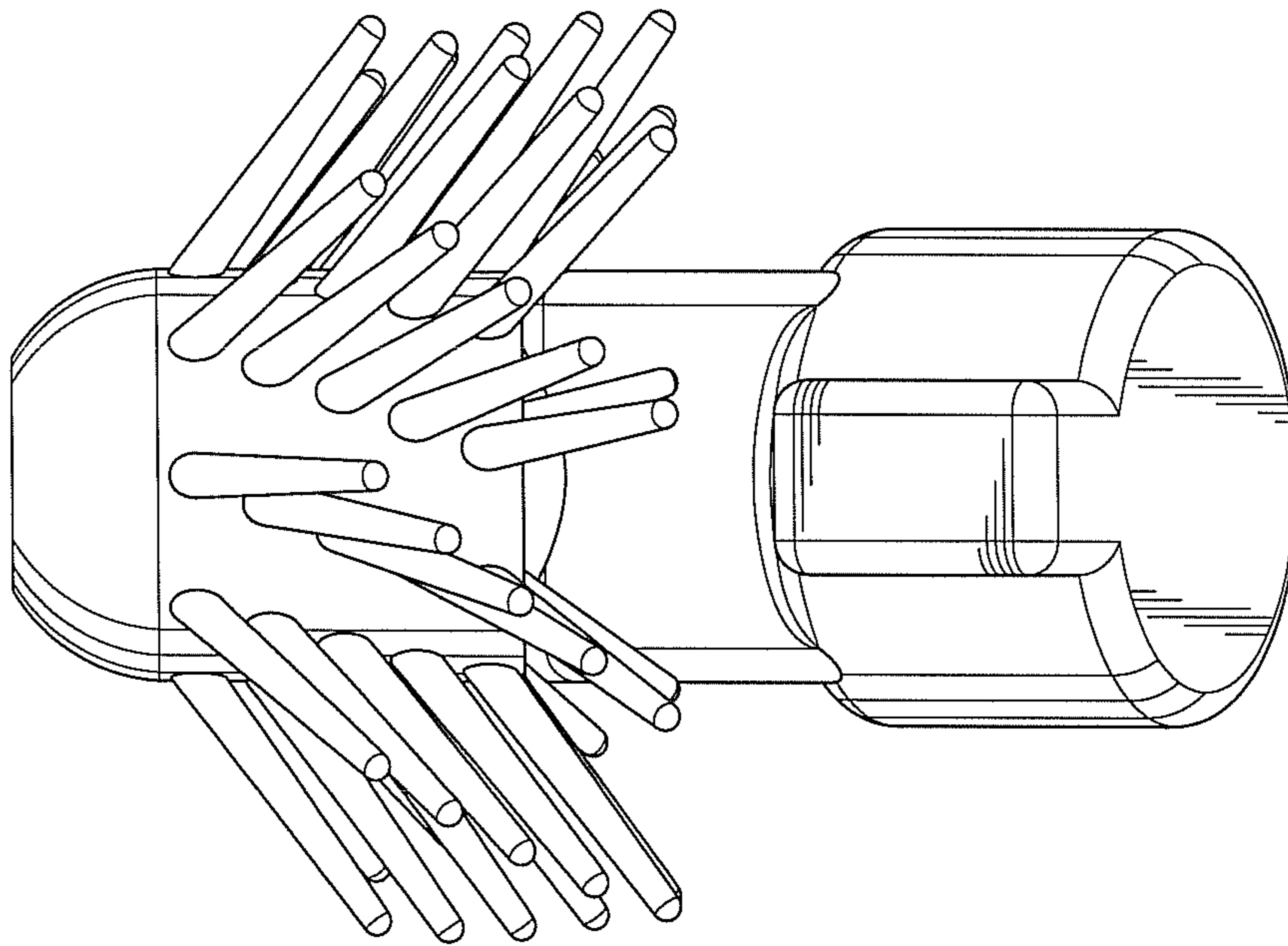


FIG. 7