



US00D717958S

(12) **United States Design Patent**
Michel et al.

(10) **Patent No.:** **US D717,958 S**

(45) **Date of Patent:** **** Nov. 18, 2014**

(54) **OPEN EAR HEARING AID**

(56) **References Cited**

(71) Applicants: **Florent Michel**, Annemasse (FR);
Raphael Michel, Palo Alto, CA (US);
Daniel Shen, Stanford, CA (US); **Bret Herscher**,
Cupertino, CA (US); **Michael Perry**, Los Altos, CA (US)

U.S. PATENT DOCUMENTS

5,784,471	A	*	7/1998	Bebenroth	381/322
6,456,720	B1	*	9/2002	Brimhall et al.	381/324
D591,732	S	*	5/2009	Burton	D14/223
D612,058	S	*	3/2010	Wai	D24/174
D635,676	S	*	4/2011	Voix et al.	D24/174
D635,677	S	*	4/2011	Voix et al.	D24/174
D657,499	S	*	4/2012	Parkins et al.	D29/112
D681,212	S	*	4/2013	Larsen et al.	D24/174
D711,858	S	*	8/2014	Yang	D14/223

(72) Inventors: **Florent Michel**, Annemasse (FR);
Raphael Michel, Palo Alto, CA (US);
Daniel Shen, Stanford, CA (US); **Bret Herscher**,
Cupertino, CA (US); **Michael Perry**, Los Altos, CA (US)

* cited by examiner

Primary Examiner — Anhdao Doan

(73) Assignee: **Aria Innovations, Inc.**, Los Altos, CA (US)

(74) *Attorney, Agent, or Firm* — Francis Law Group

(**) Term: **14 Years**

(57) **CLAIM**

We claim the ornamental design for an open ear hearing aid, as shown and described.

(21) Appl. No.: **29/486,467**

DESCRIPTION

(22) Filed: **Mar. 30, 2014**

(51) **LOC (10) Cl.** **24-99**

(52) **U.S. Cl.**
USPC **D24/174**

(58) **Field of Classification Search**
USPC D24/173-175, 151, 106; D14/205, 206,
D14/249; 381/23.1, 312, 322-324, 328,
381/330, 380, 381; 181/135, 130, 134, 137;
D29/112

FIG. 1 is a perspective view of our new design for an open ear hearing aid;

FIG. 2 is a right side elevational view thereof;

FIG. 3 is a left side elevational view thereof;

FIG. 4 is a front elevational view thereof;

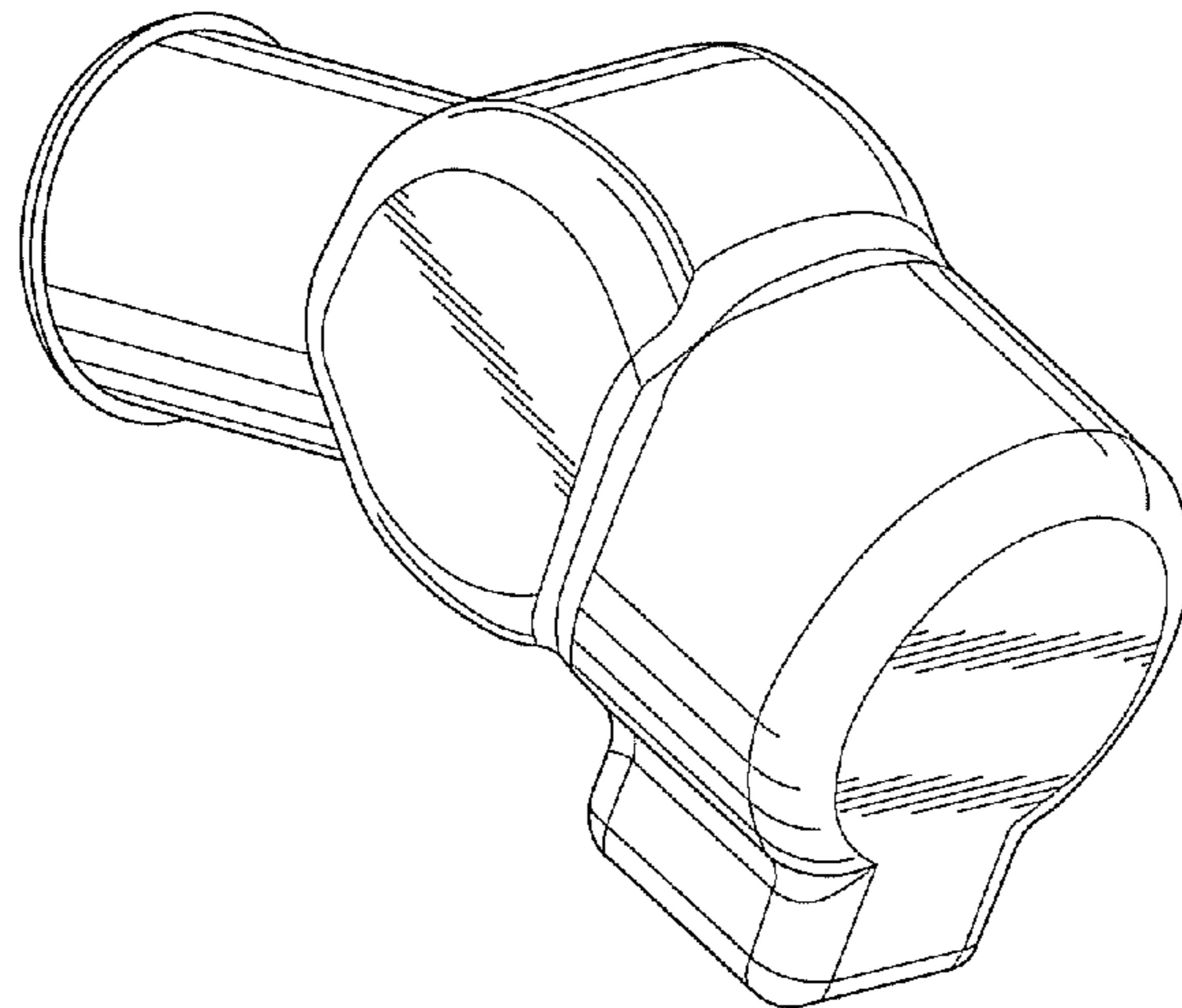
FIG. 5 is a rear elevational view thereof;

FIG. 6 is a top elevational view thereof; and,

FIG. 7 is a bottom elevational view thereof.

See application file for complete search history.

1 Claim, 3 Drawing Sheets



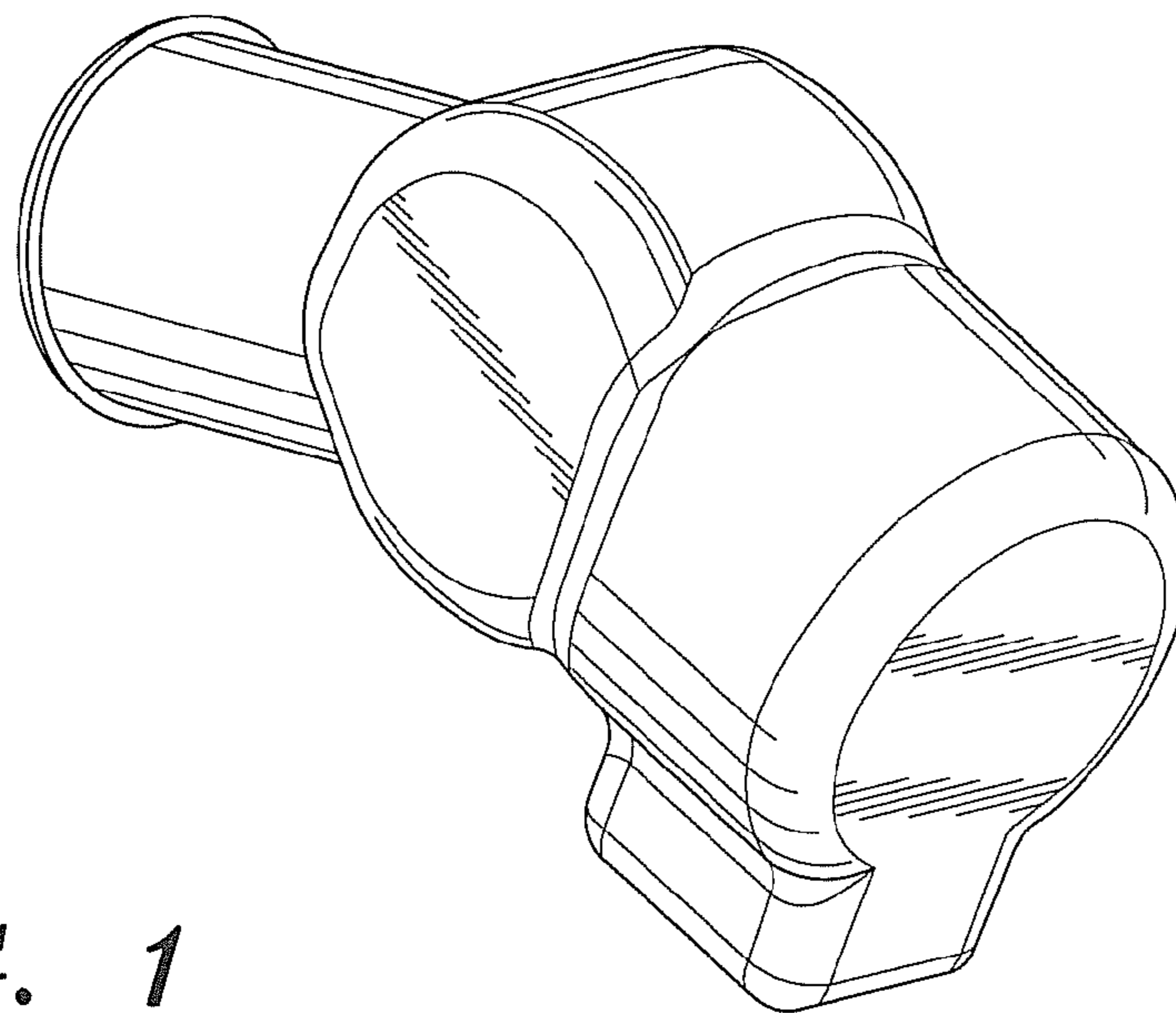


FIG. 1

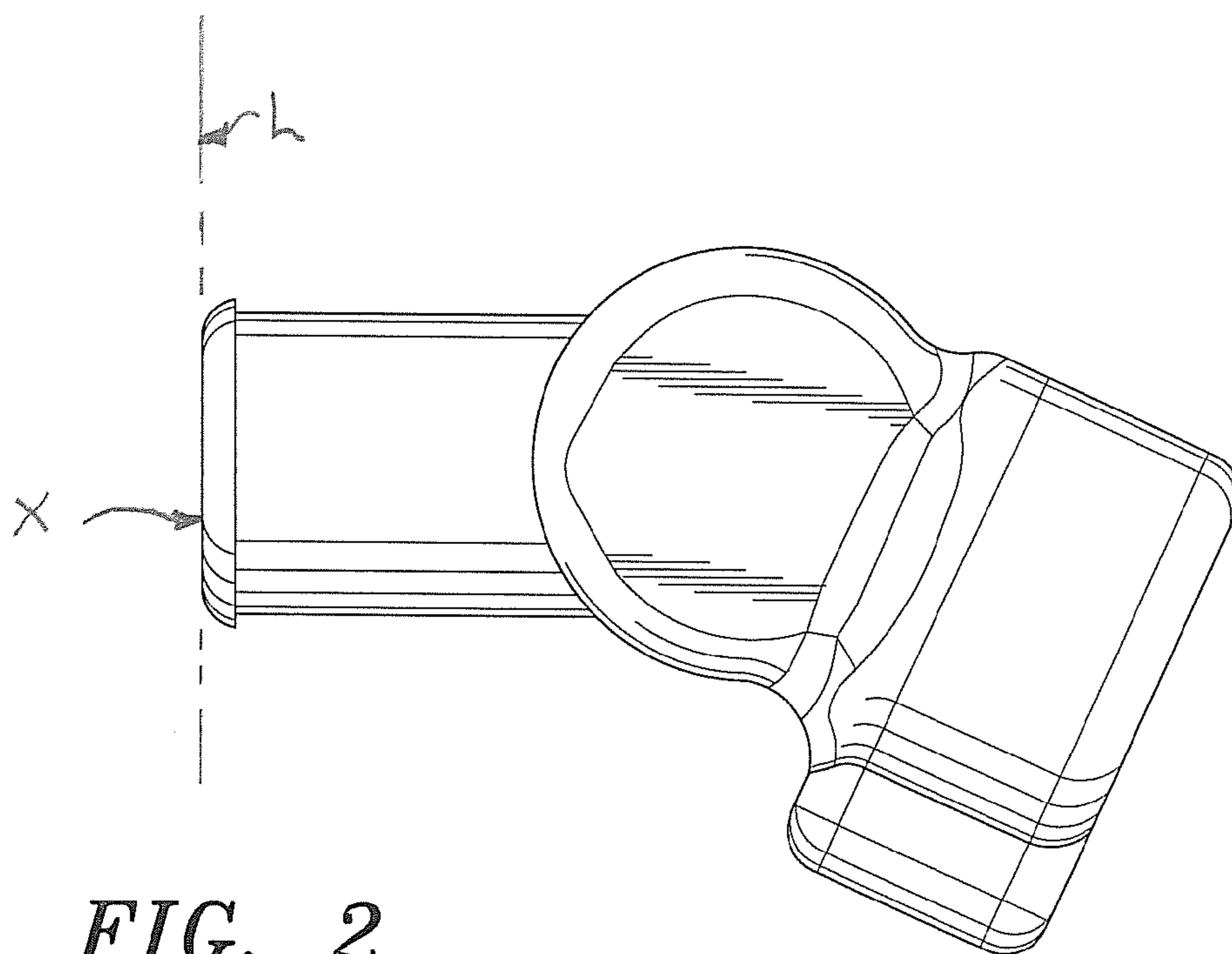


FIG. 2

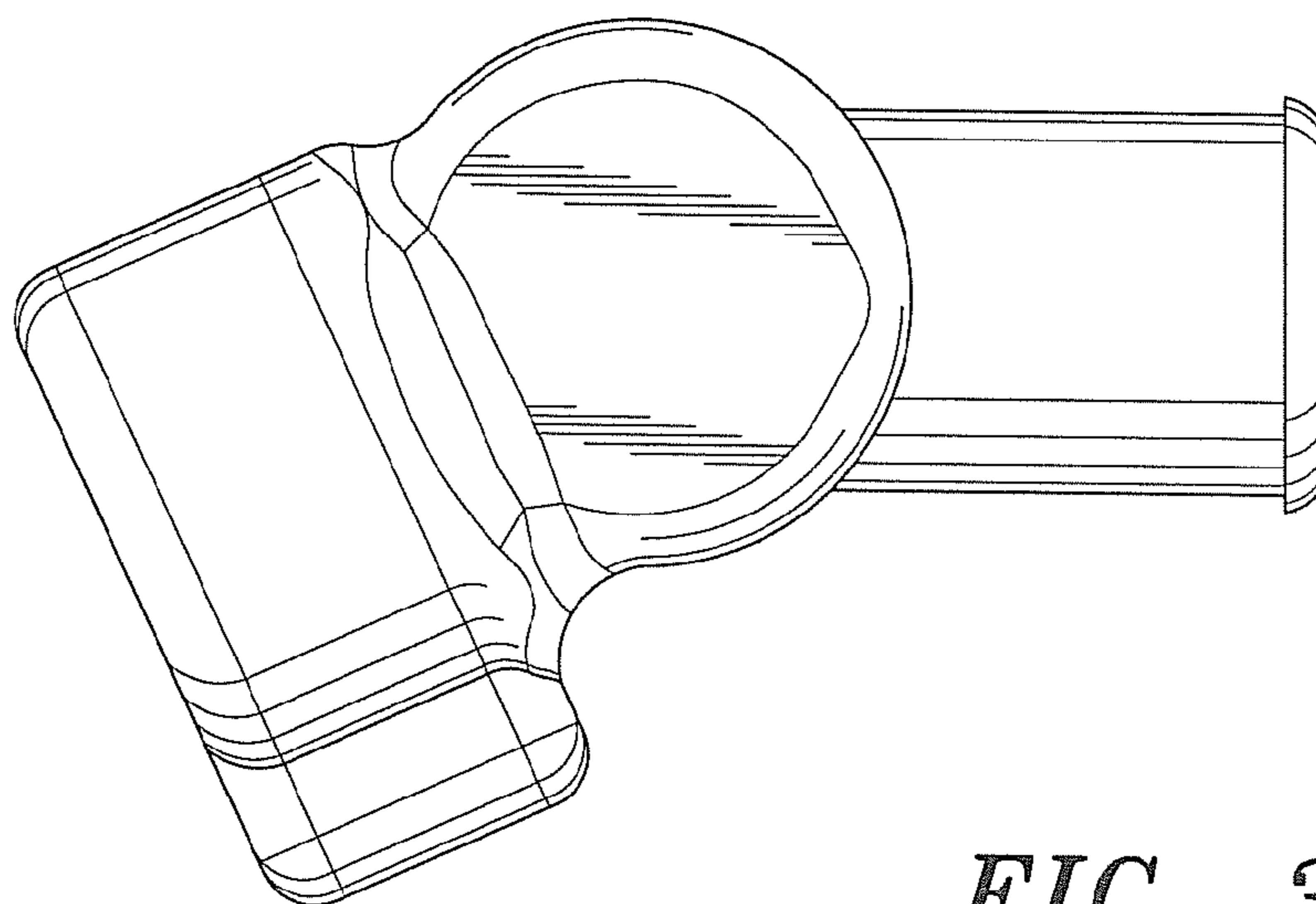


FIG. 3

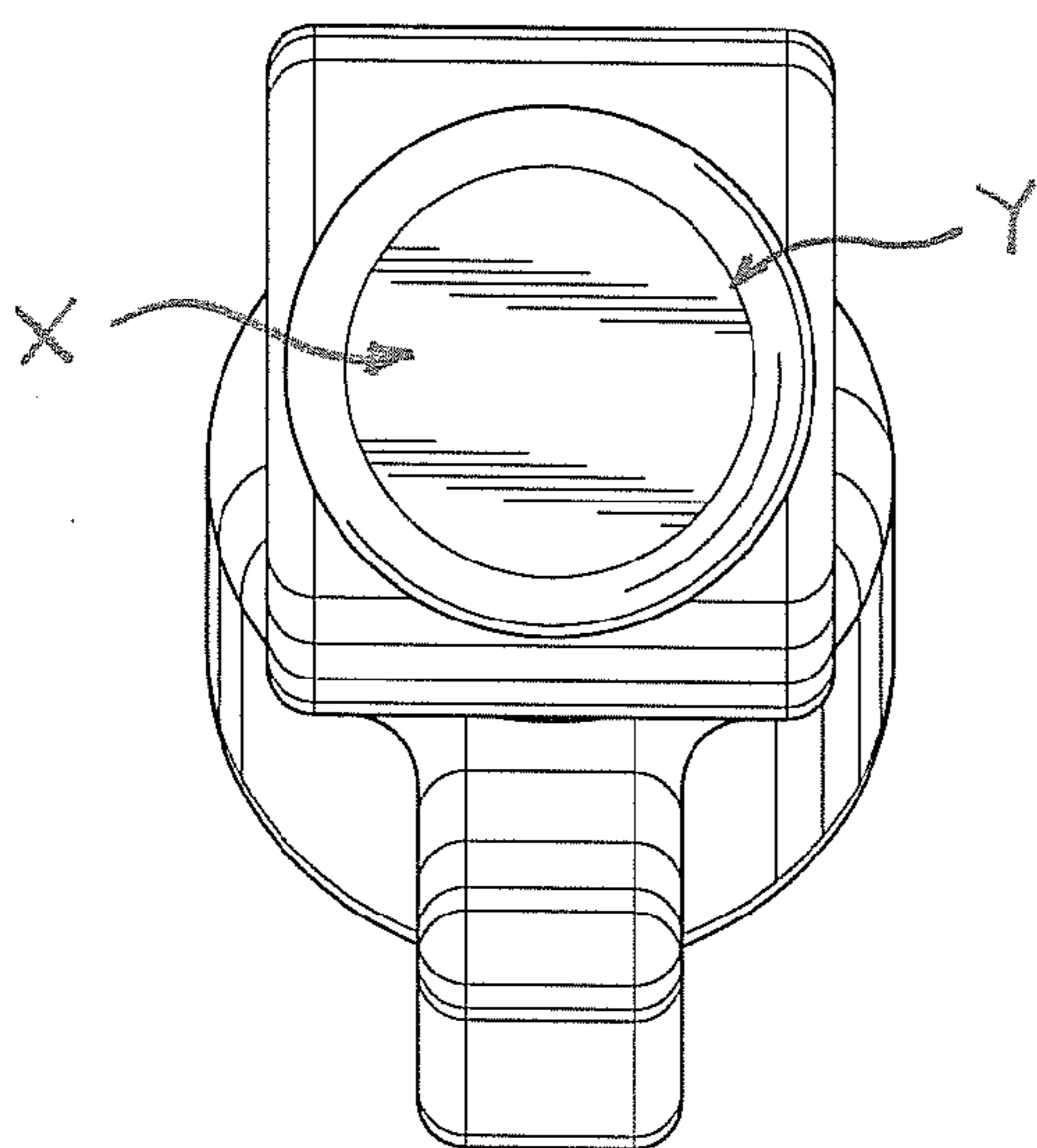


FIG. 4

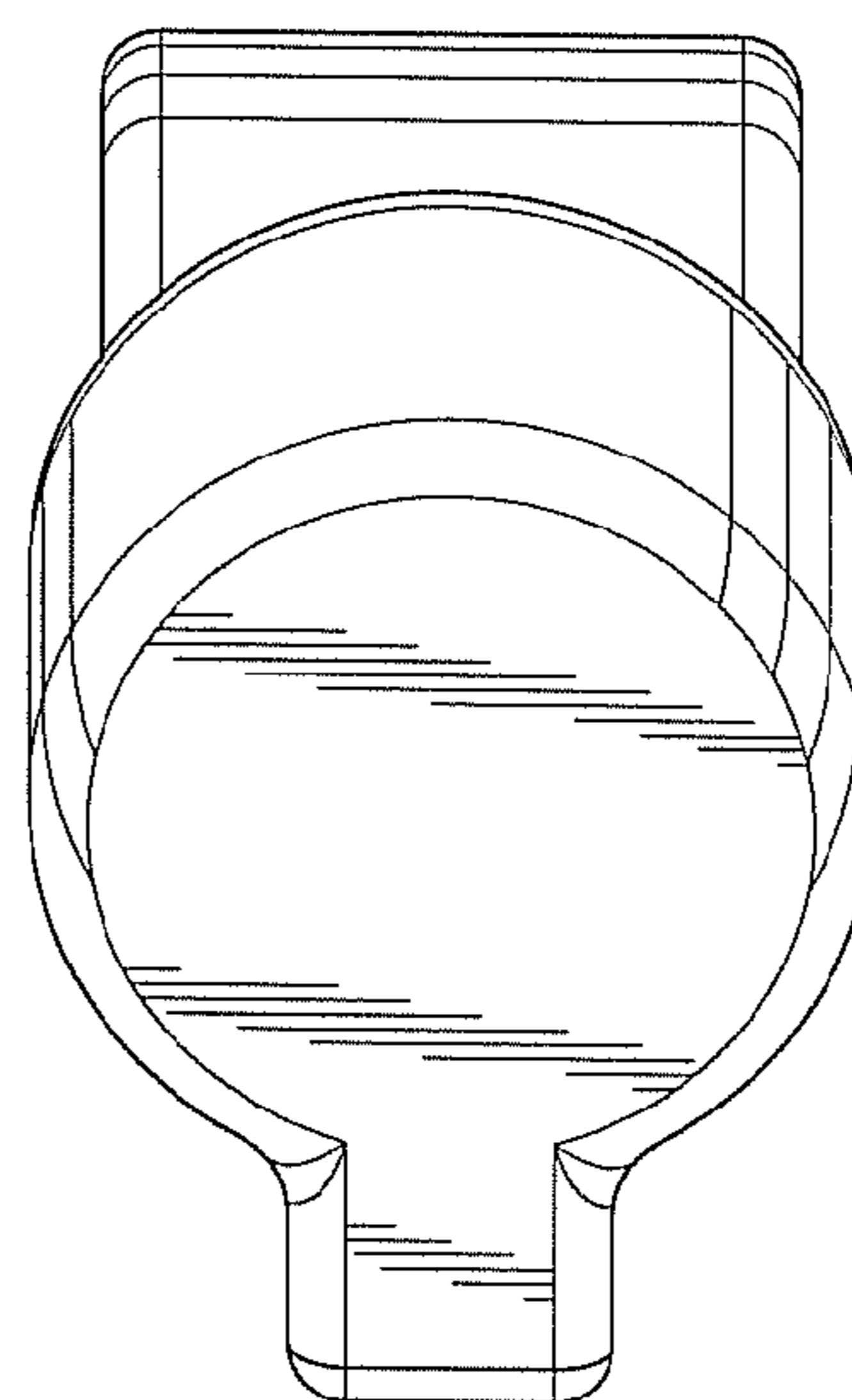


FIG. 5

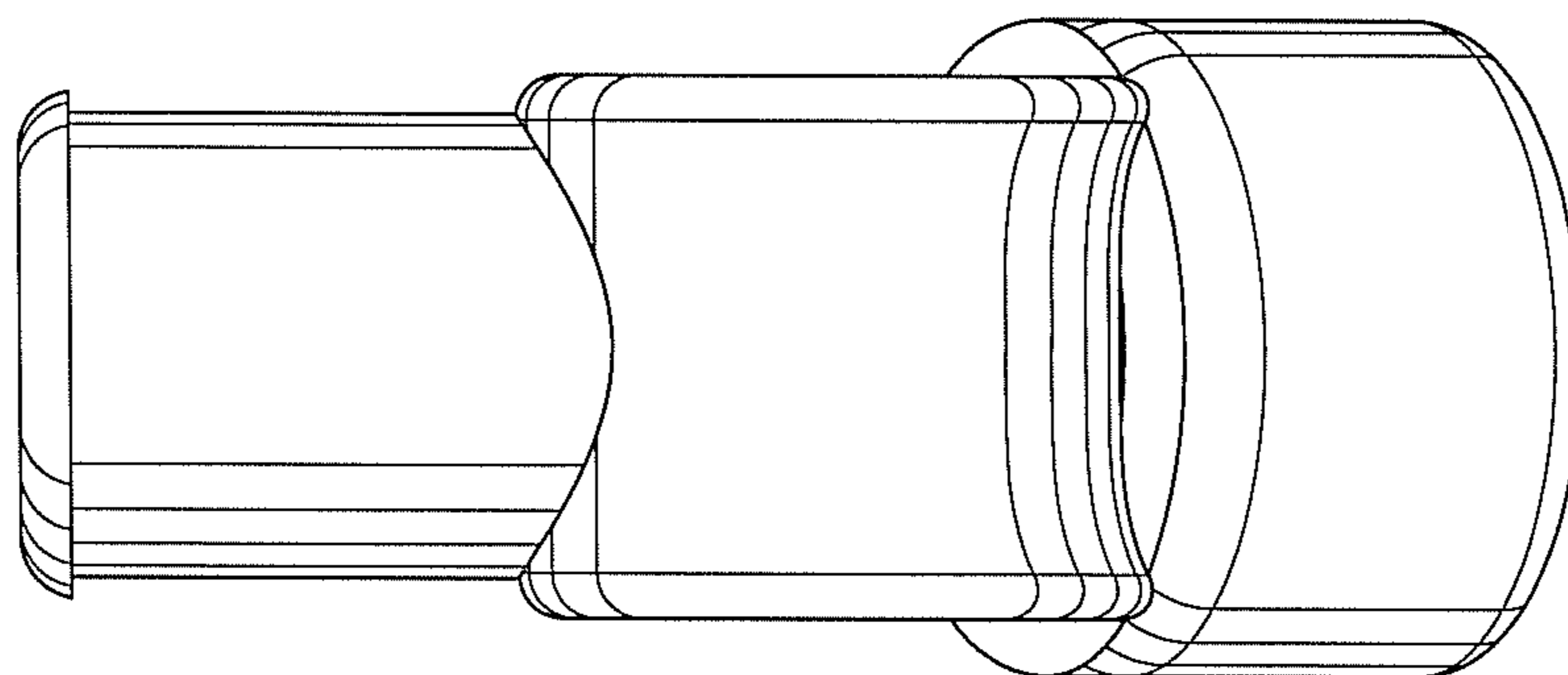


FIG. 6

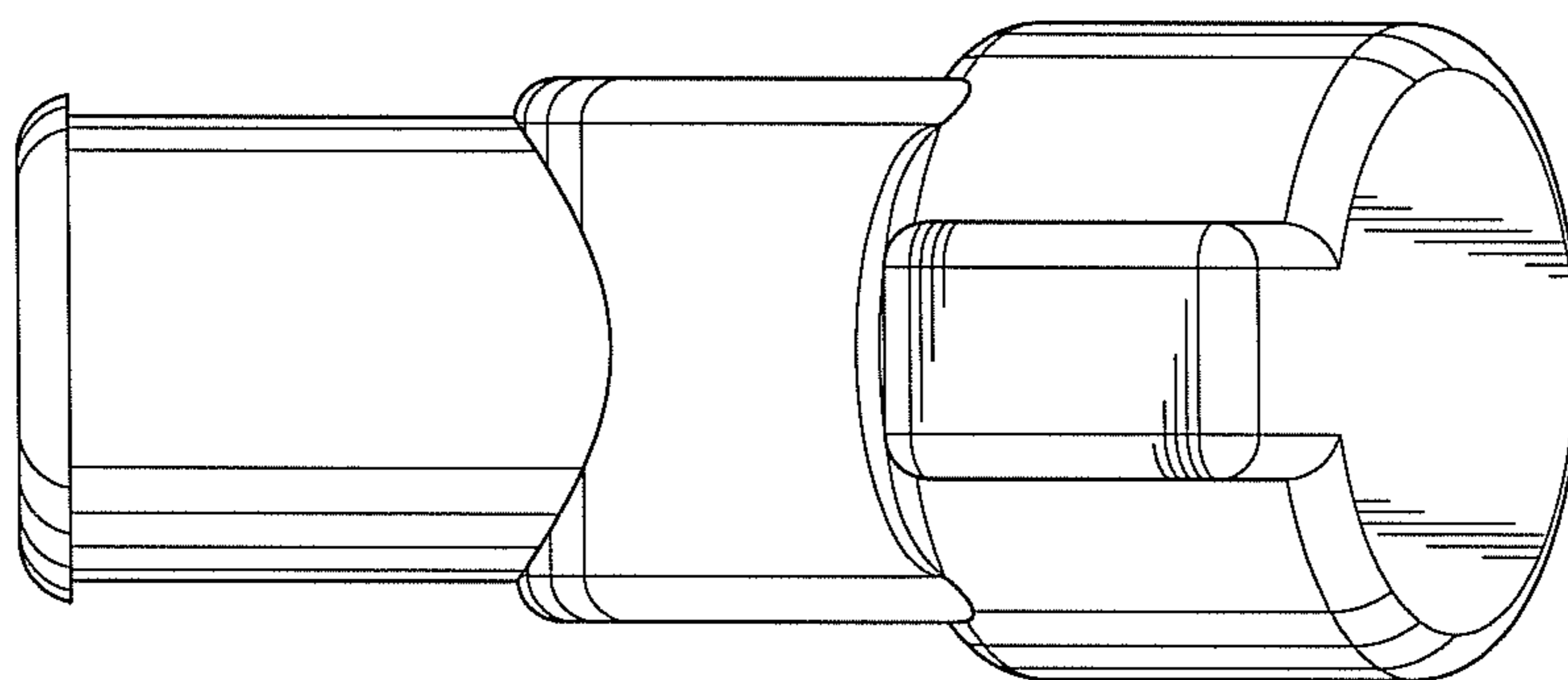


FIG. 7