



US00D717953S

(12) **United States Design Patent**
Akita et al.

(10) **Patent No.:** **US D717,953 S**
(45) **Date of Patent:** **** Nov. 18, 2014**

(54) **CARDIAC SUPPORT NET**

FOREIGN PATENT DOCUMENTS

(71) Applicants: **Kanazawa Medical University**,
Kahoku-gun (JP); **Kanazawa Institute
of Technology**, Nonoichi (JP)

JP 2013183994 A * 9/2013

* cited by examiner

(72) Inventors: **Toshiaki Akita**, Kanazawa (JP);
Masahiro Seto, Kanazawa (JP);
Masashi Yamabe, Kanazawa (JP)

Primary Examiner — Anhdao Doan

(74) *Attorney, Agent, or Firm* — Grossman Tucker Per-
reault & Pflieger PLLC

(73) Assignees: **Kanazawa Medical University** (JP);
Kanazawa Institute of Technology (JP)

(57) **CLAIM**

(**) Term: **14 Years**

The ornamental design for a cardiac support net, as shown and
described.

(21) Appl. No.: **29/464,833**

(22) Filed: **Aug. 21, 2013**

DESCRIPTION

(30) **Foreign Application Priority Data**

Feb. 21, 2013 (JP) 2013-003592

(51) **LOC (10) Cl.** **24-01**

(52) **U.S. Cl.**
USPC **D24/167**

(58) **Field of Classification Search**
USPC D24/165–168, 186, 187, 155, 200;
600/16, 37; 607/7, 129; 623/3.16, 3.2
See application file for complete search history.

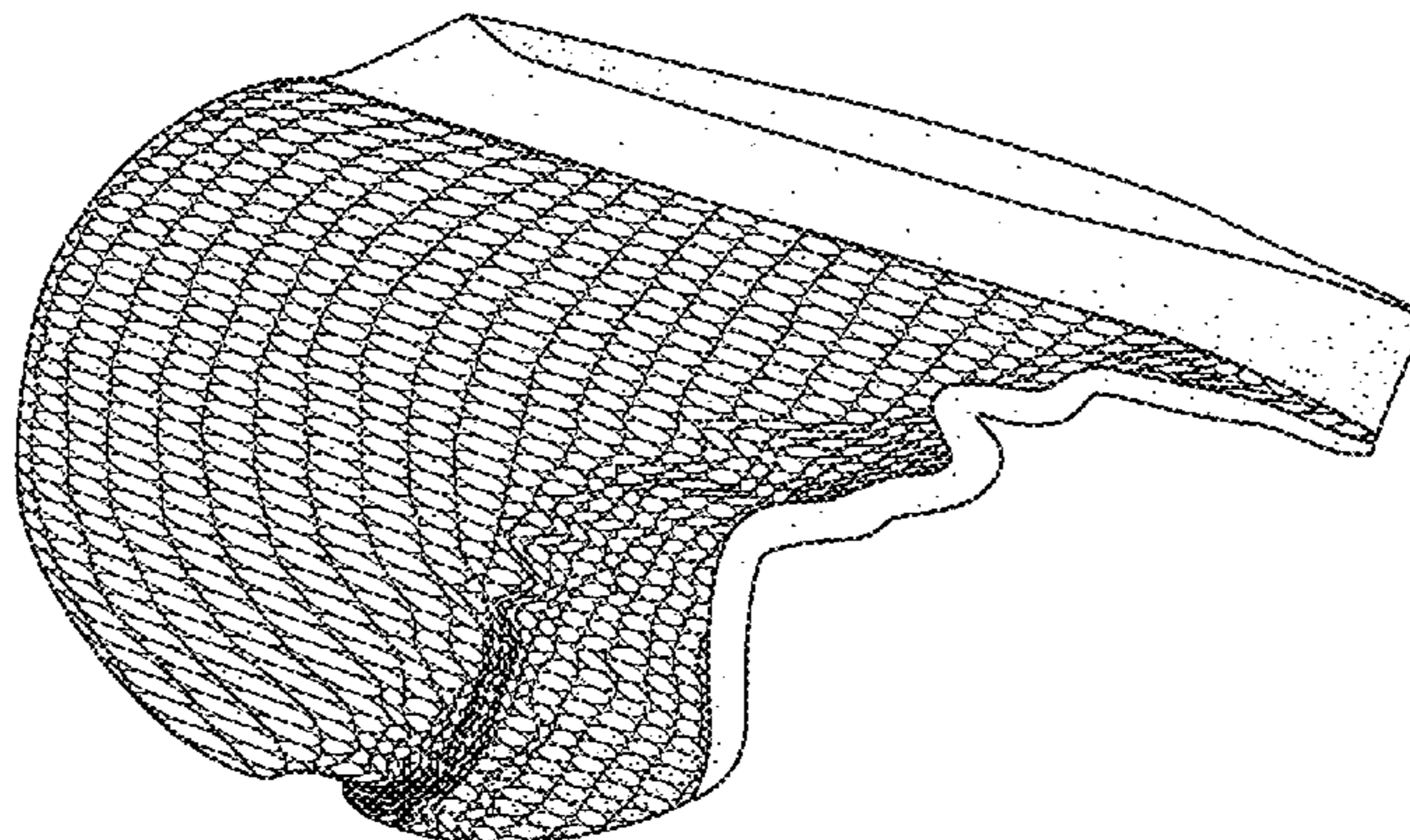
FIG. 1 is a perspective view of a cardiac support net of the
present invention;
FIG. 2 is a front view thereof;
FIG. 3 is a rear view thereof;
FIG. 4 is a left side view thereof;
FIG. 5 is a right side view thereof;
FIG. 6 is a top view thereof;
FIG. 7 is a bottom view thereof;
FIG. 8 is a perspective view thereof shown in an alternative
condition;
FIG. 9 is a perspective view thereof shown with an environ-
ment;
FIG. 10 is a front view thereof shown with an environment;
FIG. 11 is a rear view thereof shown with an environment;
FIG. 12 is a left side view thereof shown with an environment;
FIG. 13 is a right side view thereof shown with an environ-
ment;
FIG. 14 is a top view thereof shown with an environment; and,
FIG. 15 is a bottom view thereof shown with an environment.
The broken line showing of the heart in FIGS. 9-15 represents
the environment and forms no part of the claimed design.

(56) **References Cited**

U.S. PATENT DOCUMENTS

4,821,723	A *	4/1989	Baker et al.	607/7
D399,000	S *	9/1998	Rothman et al.	D24/167
6,695,769	B2 *	2/2004	French et al.	600/37
7,181,272	B2 *	2/2007	Struble et al.	607/4
7,351,200	B2 *	4/2008	Alferness	600/37
8,100,821	B2 *	1/2012	Hjelle et al.	600/37
2005/0288715	A1 *	12/2005	Lau et al.	607/4
2010/0137678	A1 *	6/2010	Walsh et al.	600/37
2010/0160721	A1 *	6/2010	Alferness et al.	600/37
2010/0185050	A1 *	7/2010	Alferness et al.	600/37
2014/0107406	A1 *	4/2014	Hjelle et al.	600/37
2014/0107775	A1 *	4/2014	Hjelle et al.	623/3.21

1 Claim, 13 Drawing Sheets



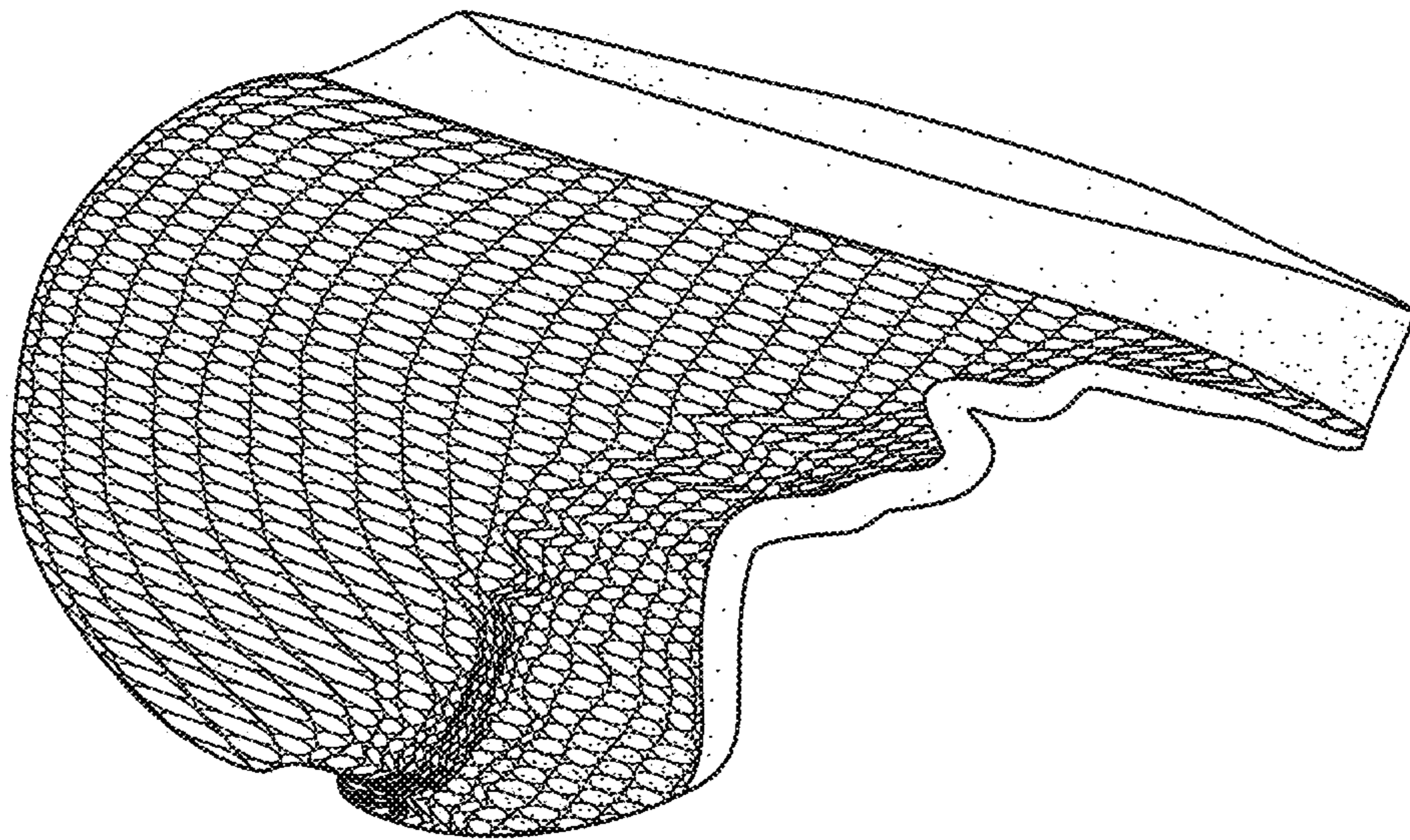


FIG. 1

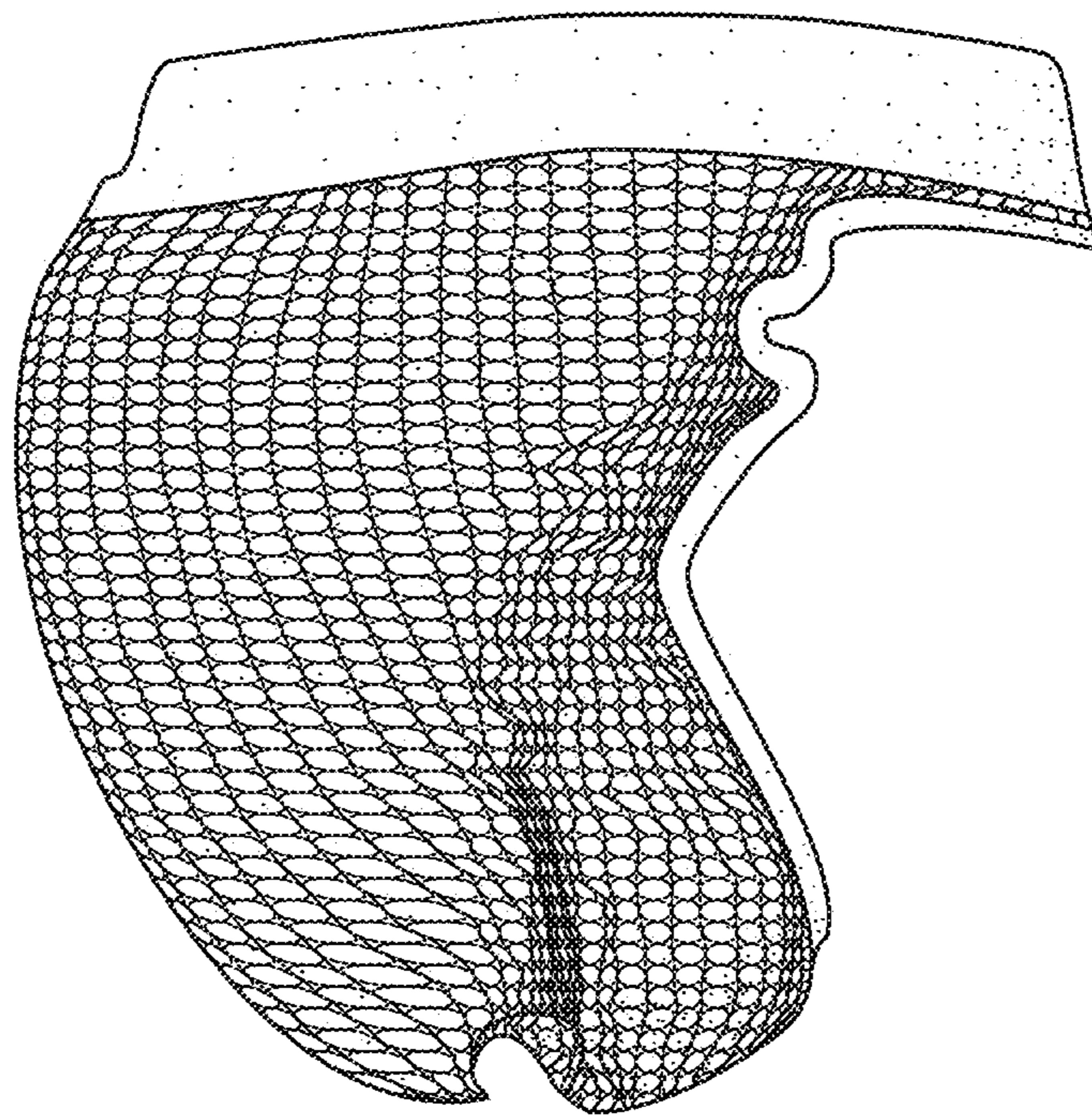


FIG. 2

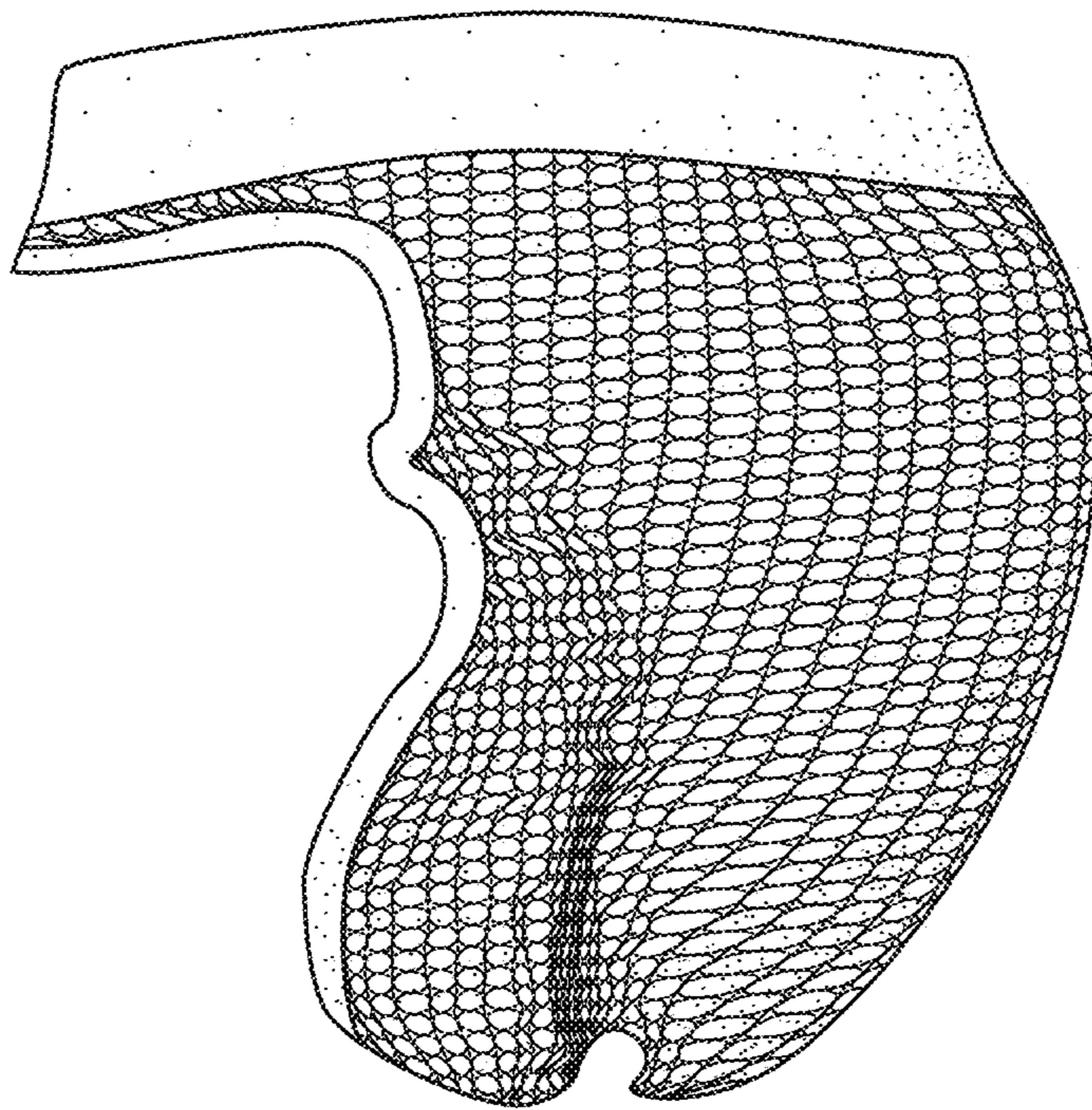


FIG. 3

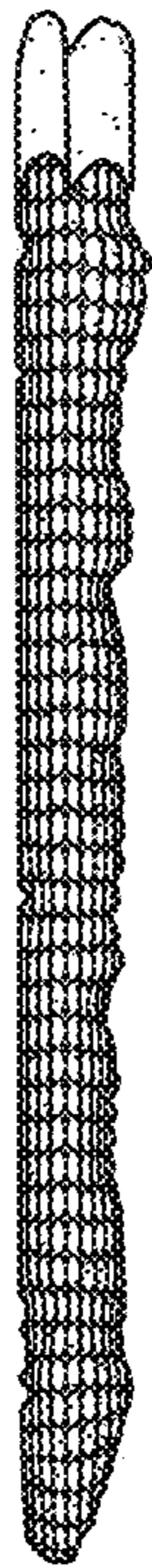


FIG. 4



FIG. 5



FIG. 6



FIG. 7

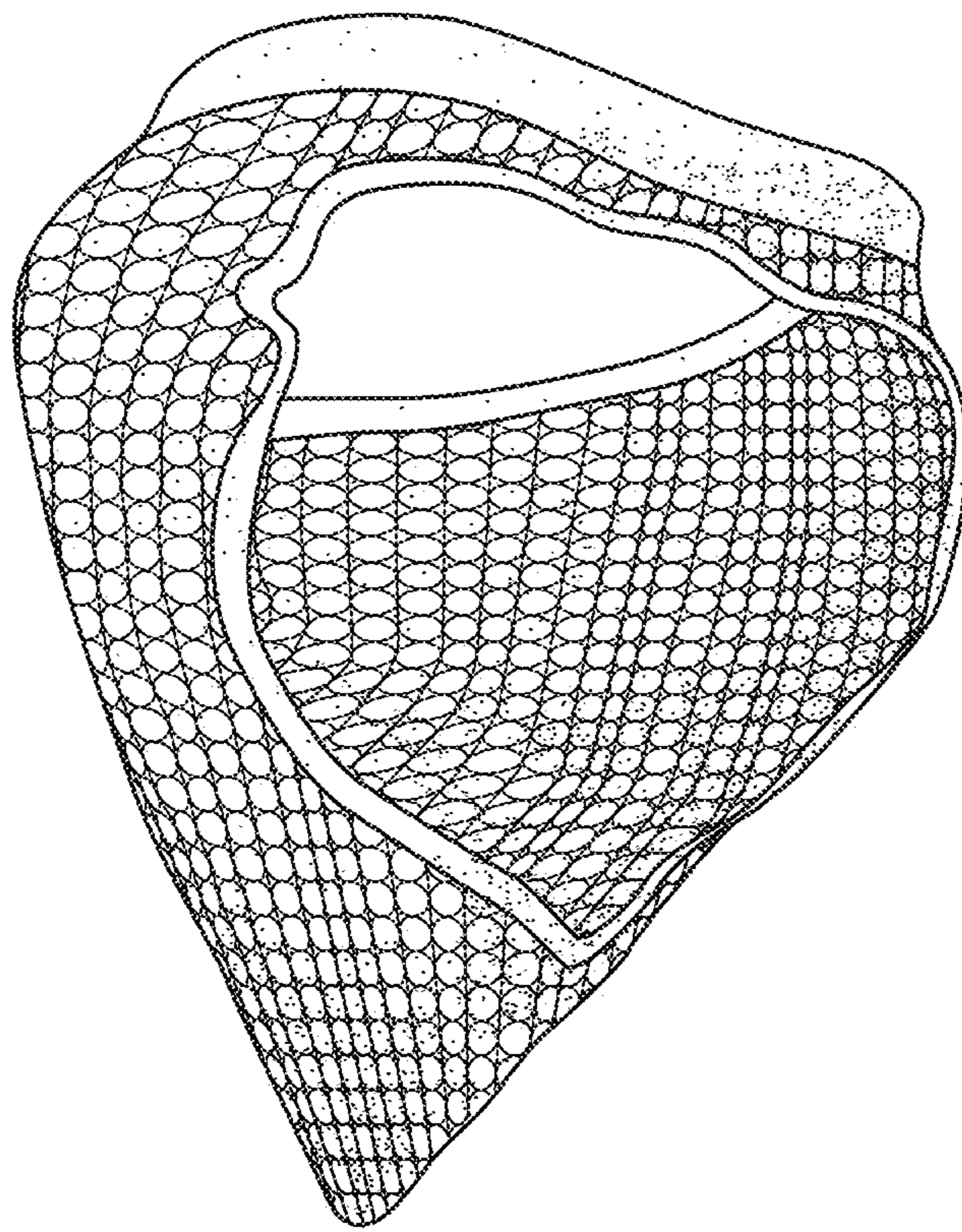


FIG. 8

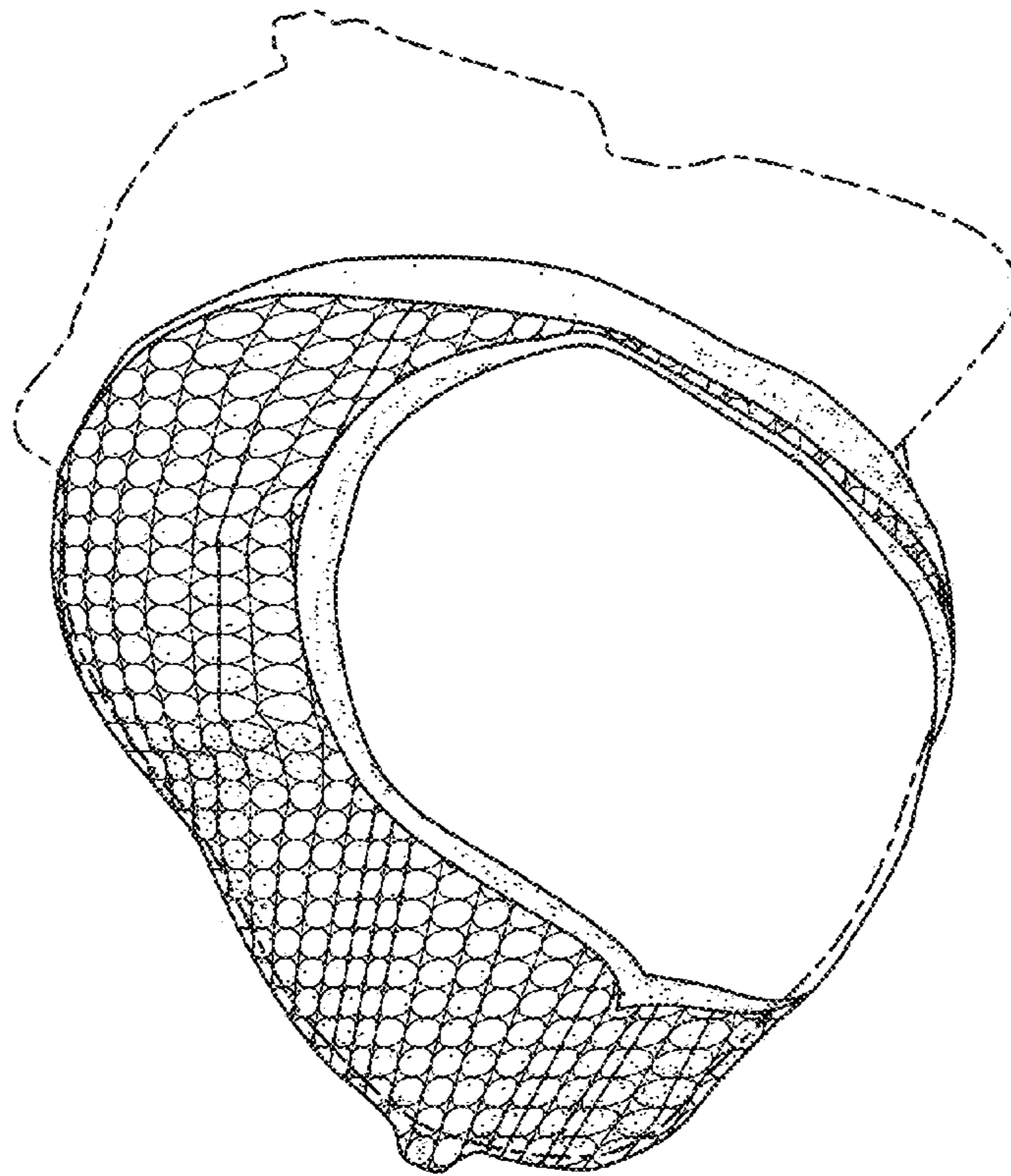


FIG. 9

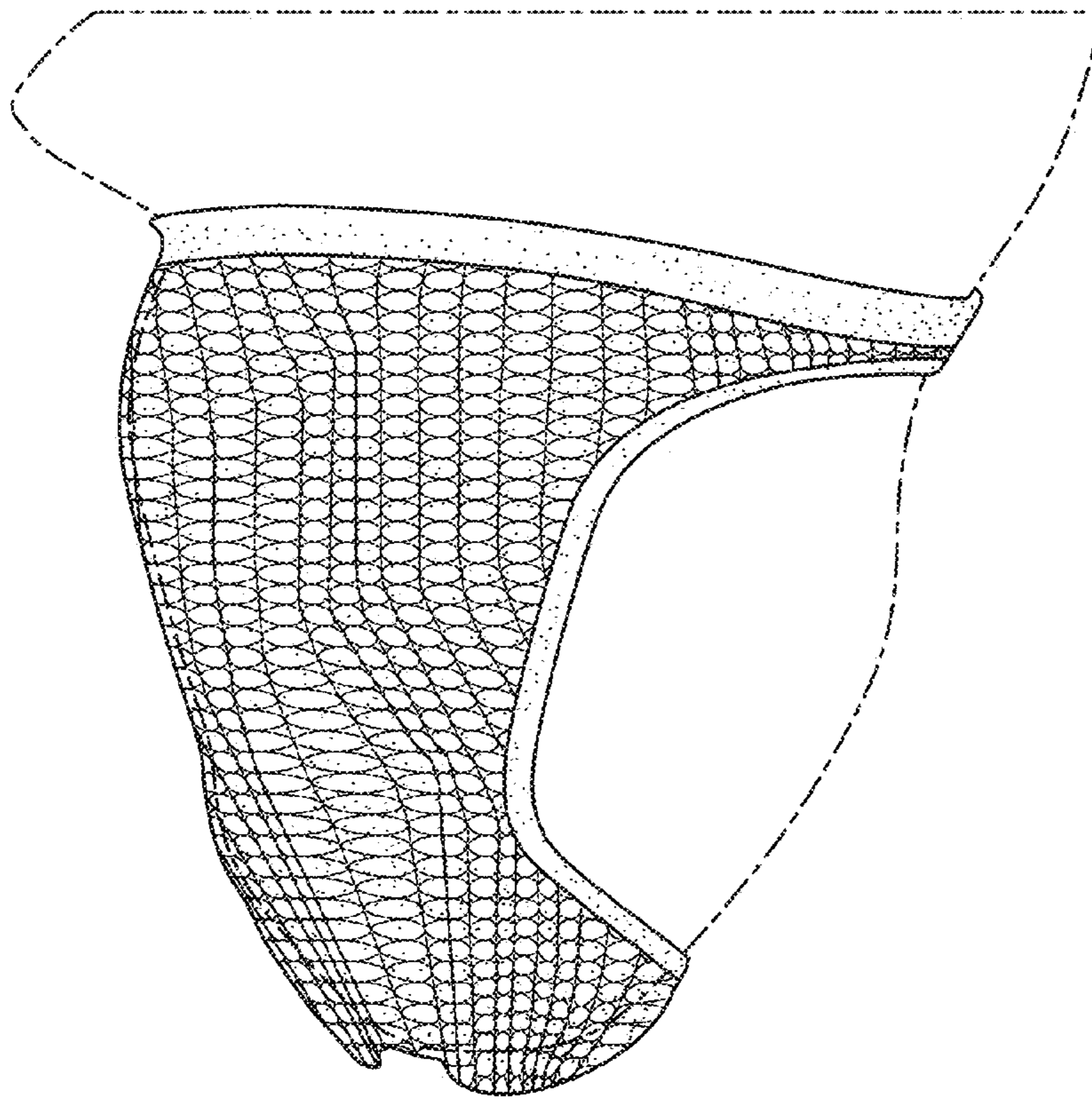


FIG. 10

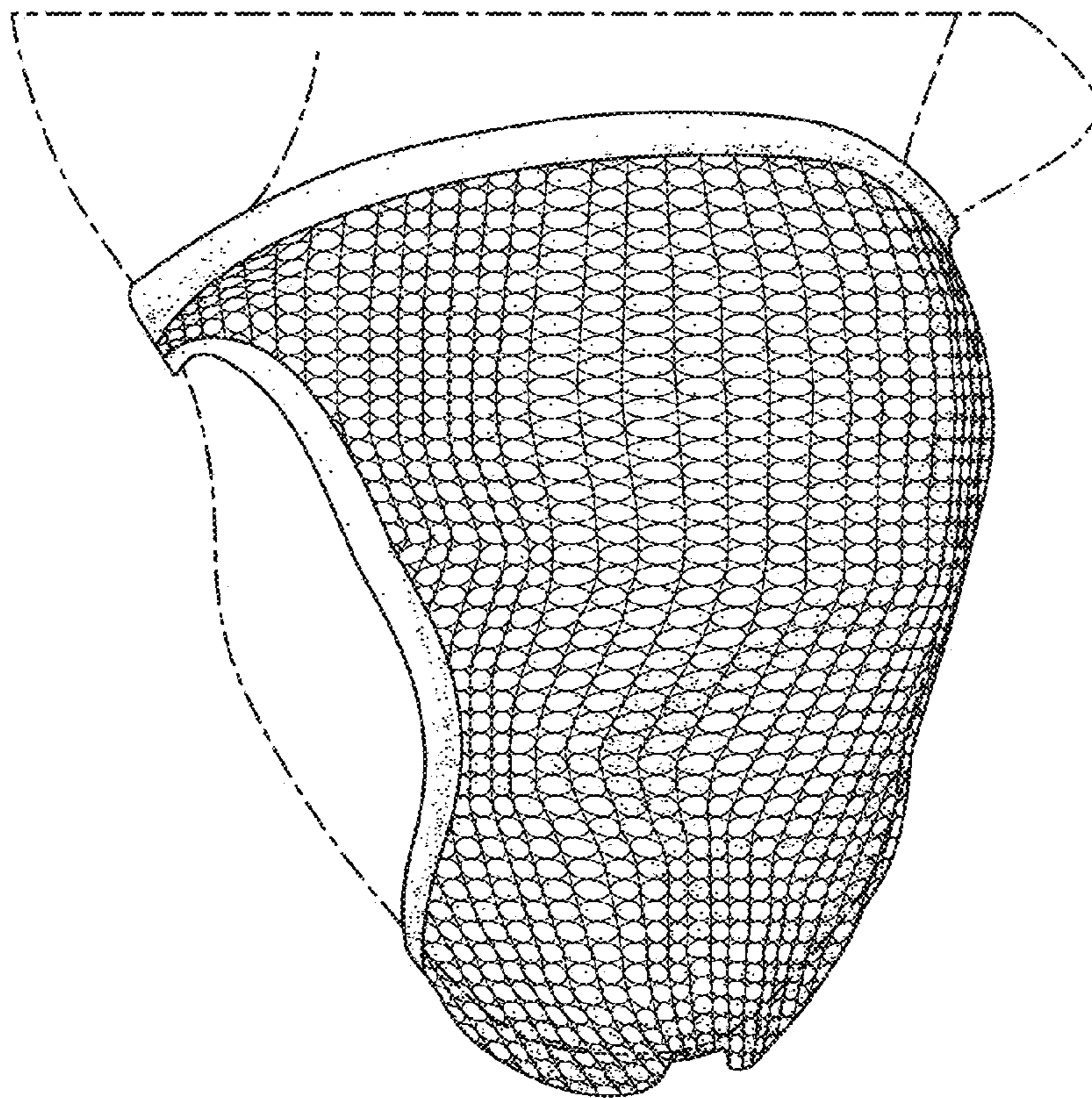


FIG. 11

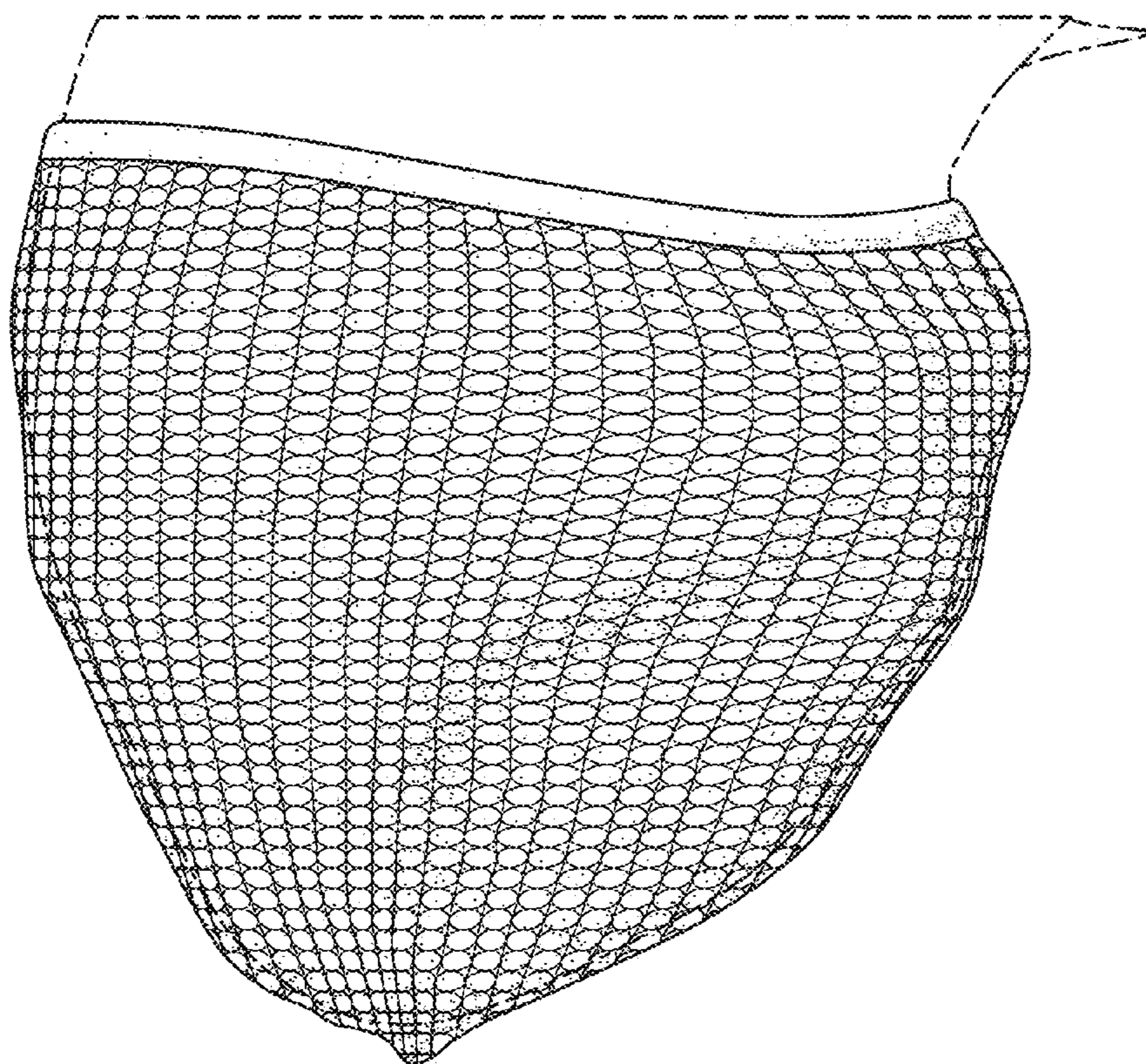


FIG. 12

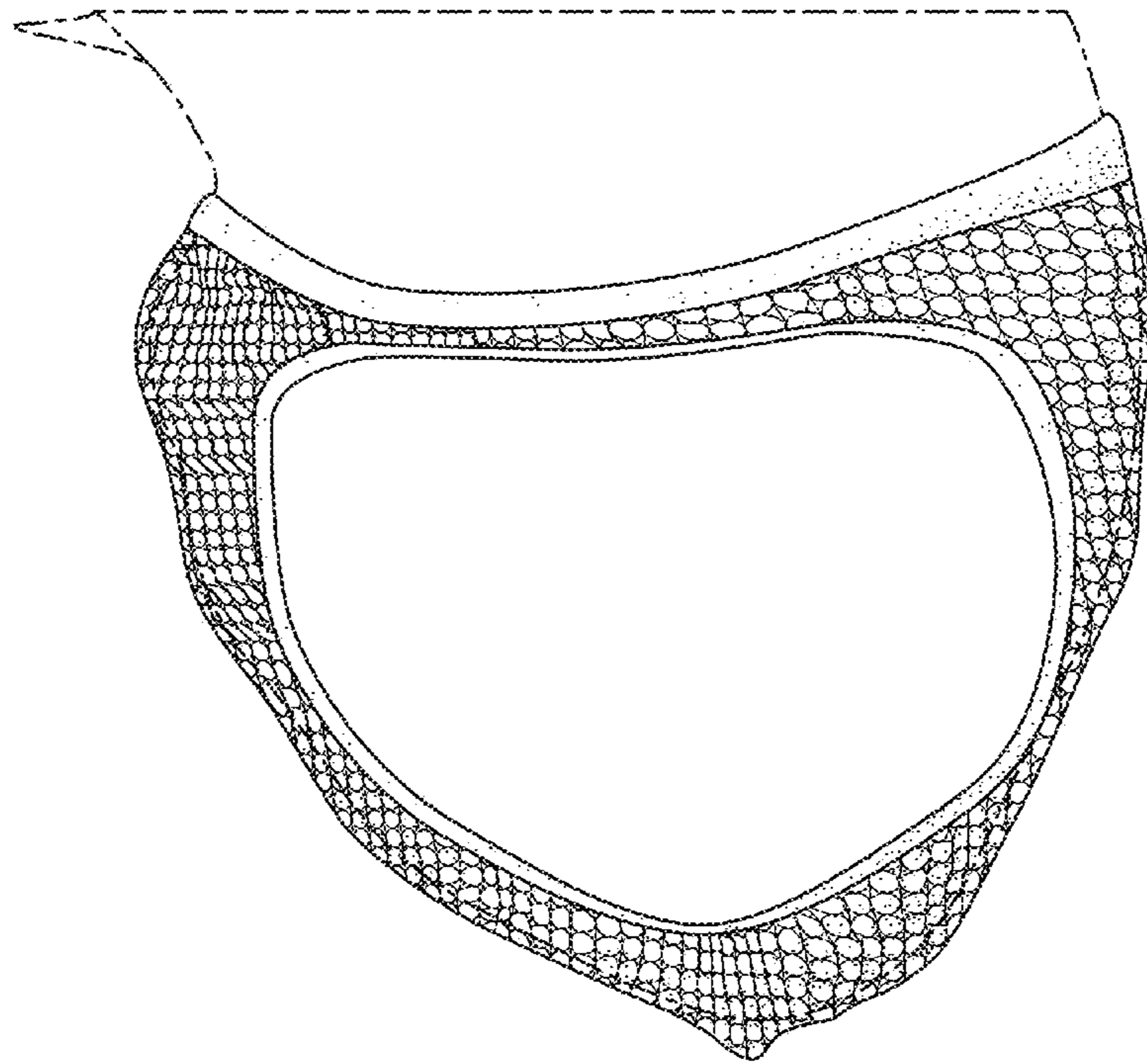


FIG. 13

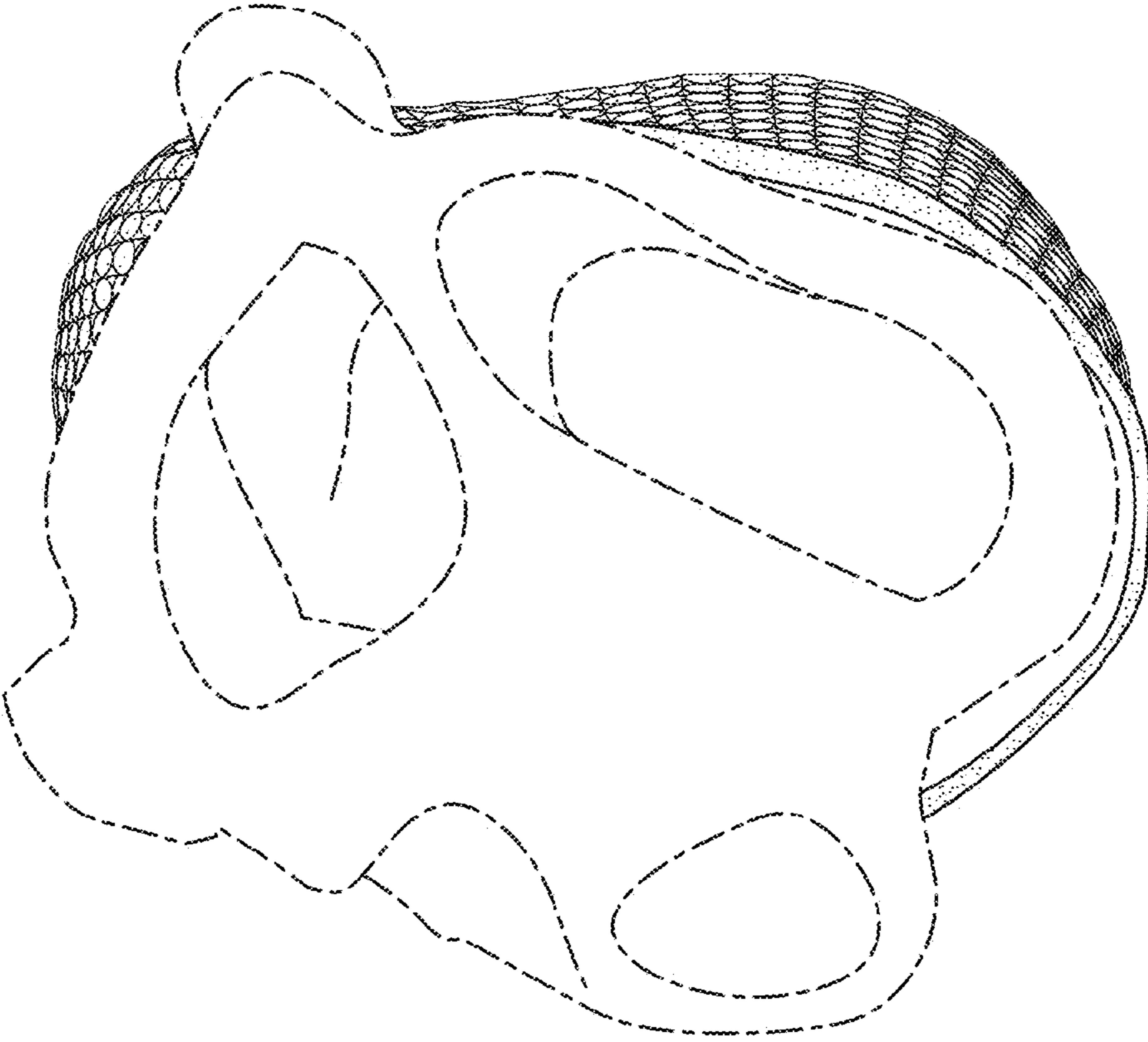


FIG. 14

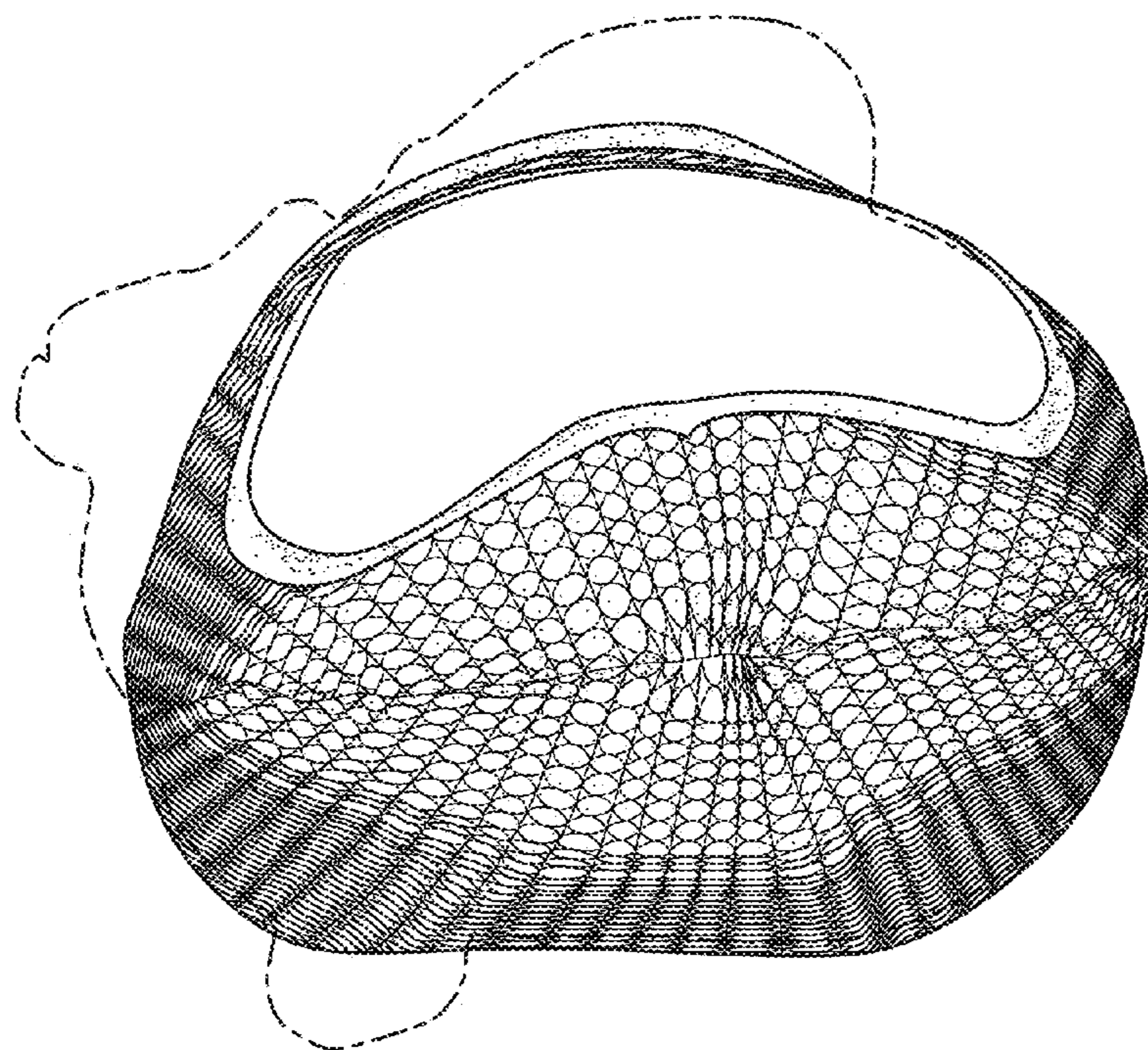


FIG. 15