



US00D717945S

(12) **United States Design Patent**  
**Neff et al.**

(10) **Patent No.:** **US D717,945 S**

(45) **Date of Patent:** **\*\* Nov. 18, 2014**

(54) **CUSHION FOR A PATIENT INTERFACE ASSEMBLY**

(71) Applicant: **Koninklijke Philips Electronics N.V.**, Eindhoven (NL)

(72) Inventors: **Adam Michael Neff**, Oakmont, PA (US); **Daniel James Miller**, Cranberry Township, PA (US); **Matthew Paul Eury**, Latrobe, PA (US)

(73) Assignee: **Koninklijke Philips N.V.**, Eindhoven (NL)

(\*\*) Term: **14 Years**

(21) Appl. No.: **29/451,427**

(22) Filed: **Apr. 2, 2013**

(30) **Foreign Application Priority Data**

Oct. 3, 2012 (EM) ..... 002112755-0005

(51) **LOC (10) Cl.** ..... **29-02**

(52) **U.S. Cl.**  
USPC ..... **D24/127; D24/110.1**

(58) **Field of Classification Search**  
USPC ..... D24/110, 110.1, 110.4, 127, 128, D24/110.2-110.6; D29/102, 122; D2/866, D2/891; 128/206.21, 206.27, 207.11, 128/207.17, 205.25

See application file for complete search history.

(56) **References Cited**

U.S. PATENT DOCUMENTS

7,900,630	B2 *	3/2011	Geiselhart et al. ....	128/207.11
7,992,560	B2 *	8/2011	Burton et al. ....	128/207.11
D679,799	S *	4/2013	D'Souza et al. ....	D24/110
8,522,784	B2 *	9/2013	Ng et al. ....	128/206.21
8,528,561	B2 *	9/2013	Ng et al. ....	128/206.21
8,596,275	B2 *	12/2013	Matula et al. ....	128/207.11
D707,349	S *	6/2014	D'Souza et al. ....	D24/110.1

\* cited by examiner

*Primary Examiner* — Robert Delehanty

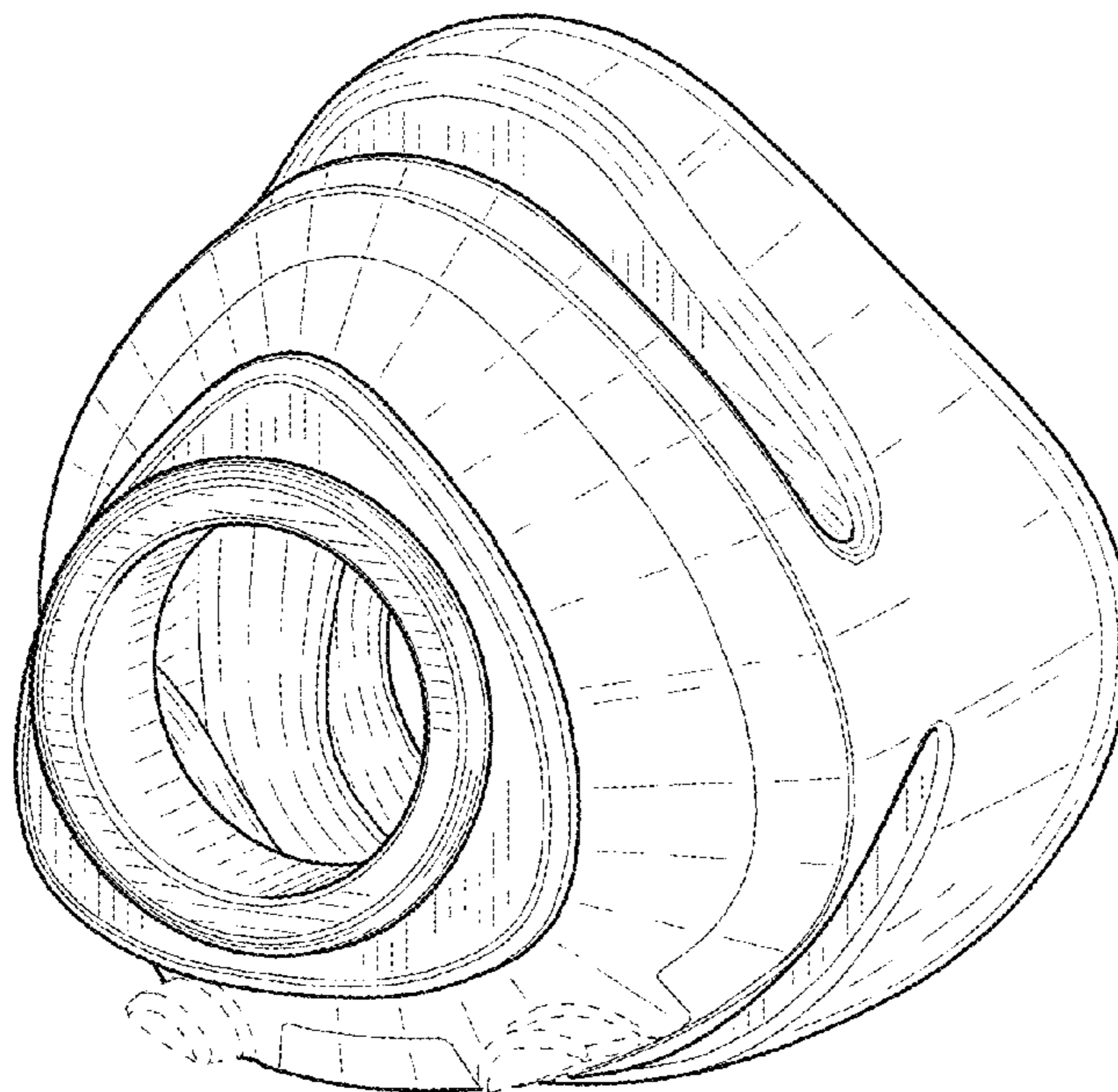
(57) **CLAIM**

The ornamental design for a cushion for a patient interface assembly, as shown.

**DESCRIPTION**

FIG. 1 is a perspective view showing my design; FIG. 2 is a front elevational view thereof; FIG. 3 is a rear elevational view thereof; FIG. 4 is a right side elevational view thereof; FIG. 5 is a left side elevational view thereof; FIG. 6 is a top plan view thereof; and, FIG. 7 is a bottom plan view thereof. The broken line showing a portion of the cushion forms no part of the claimed design.

**1 Claim, 4 Drawing Sheets**



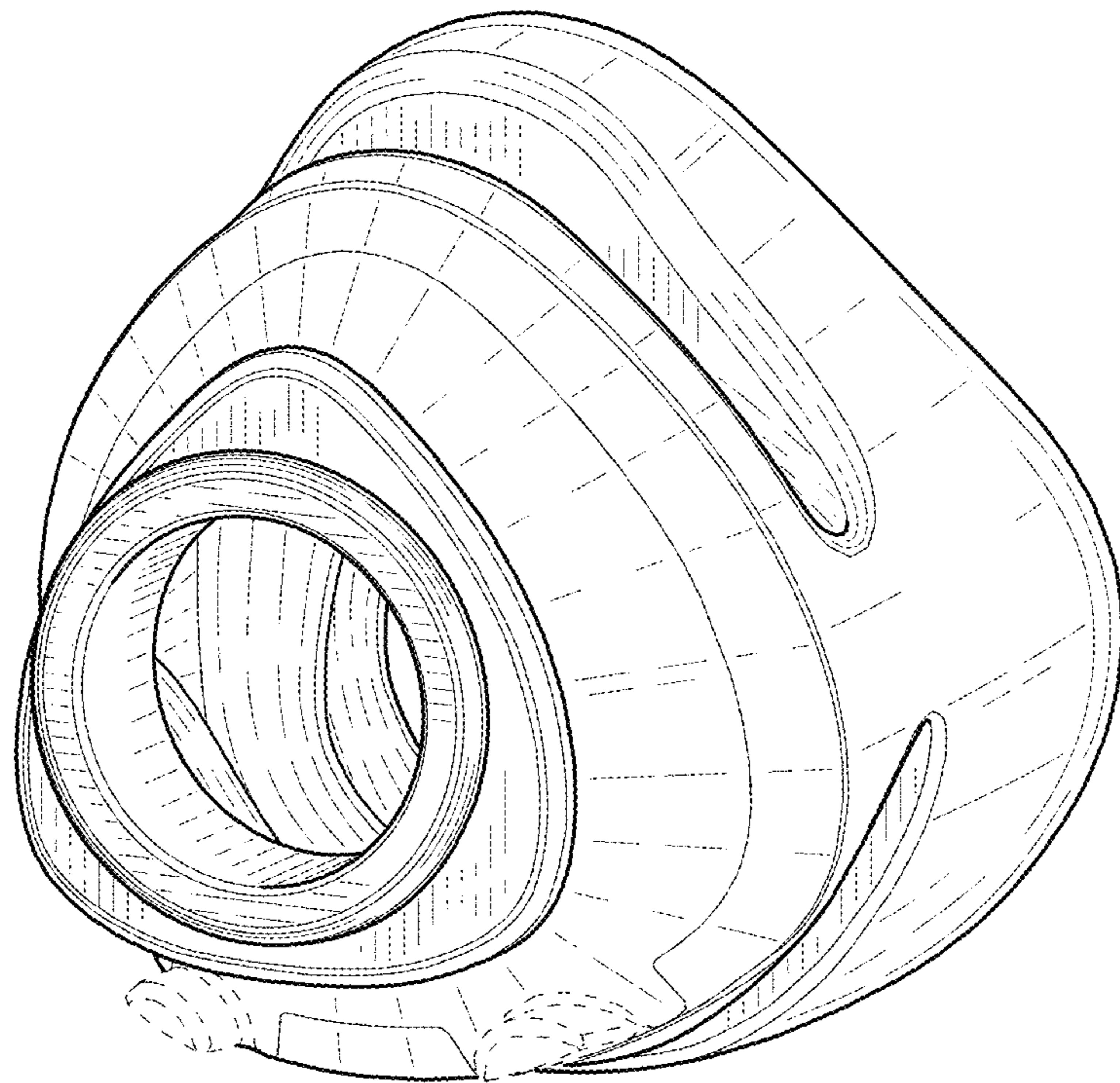


FIG. 1

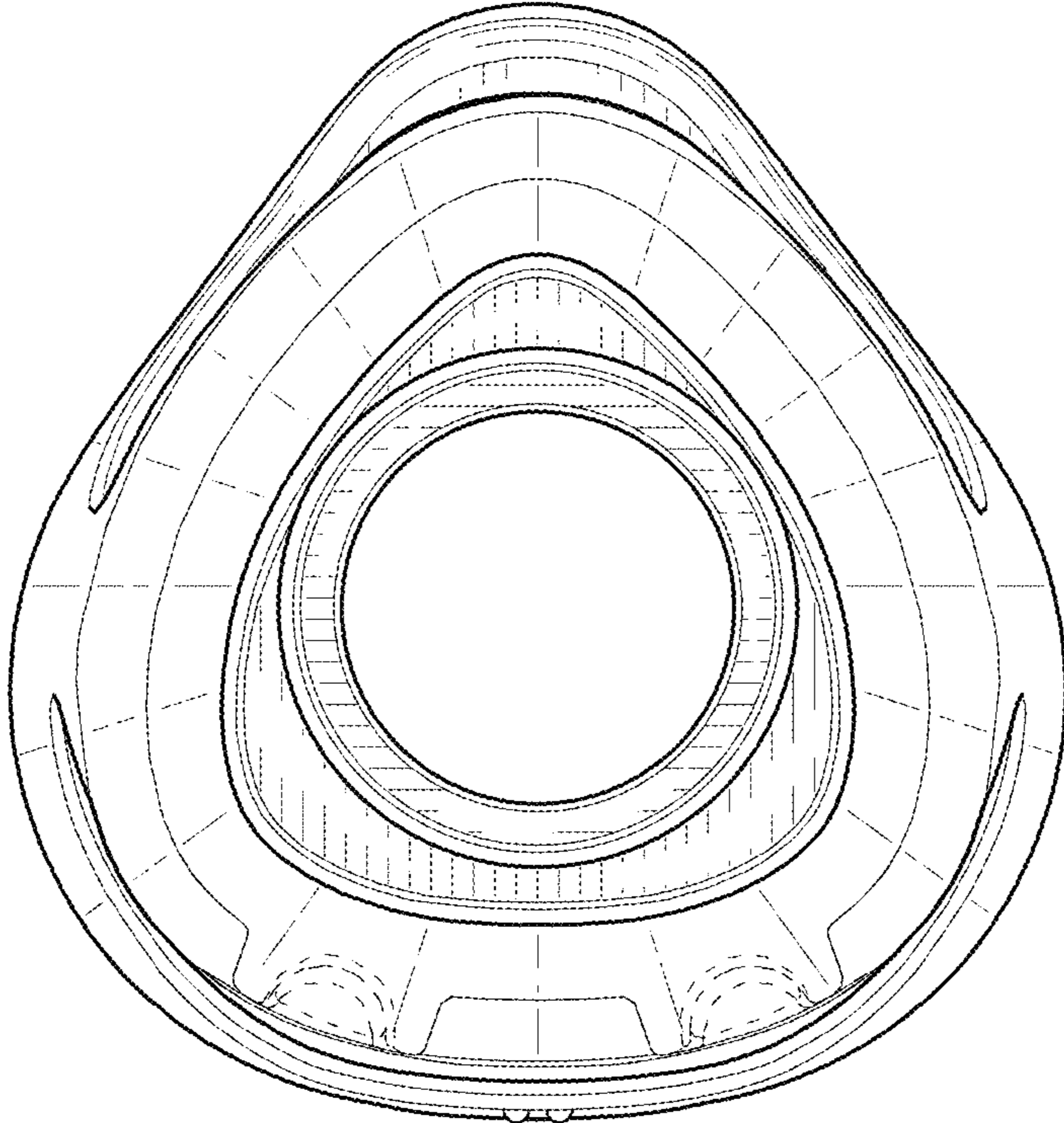


FIG. 2

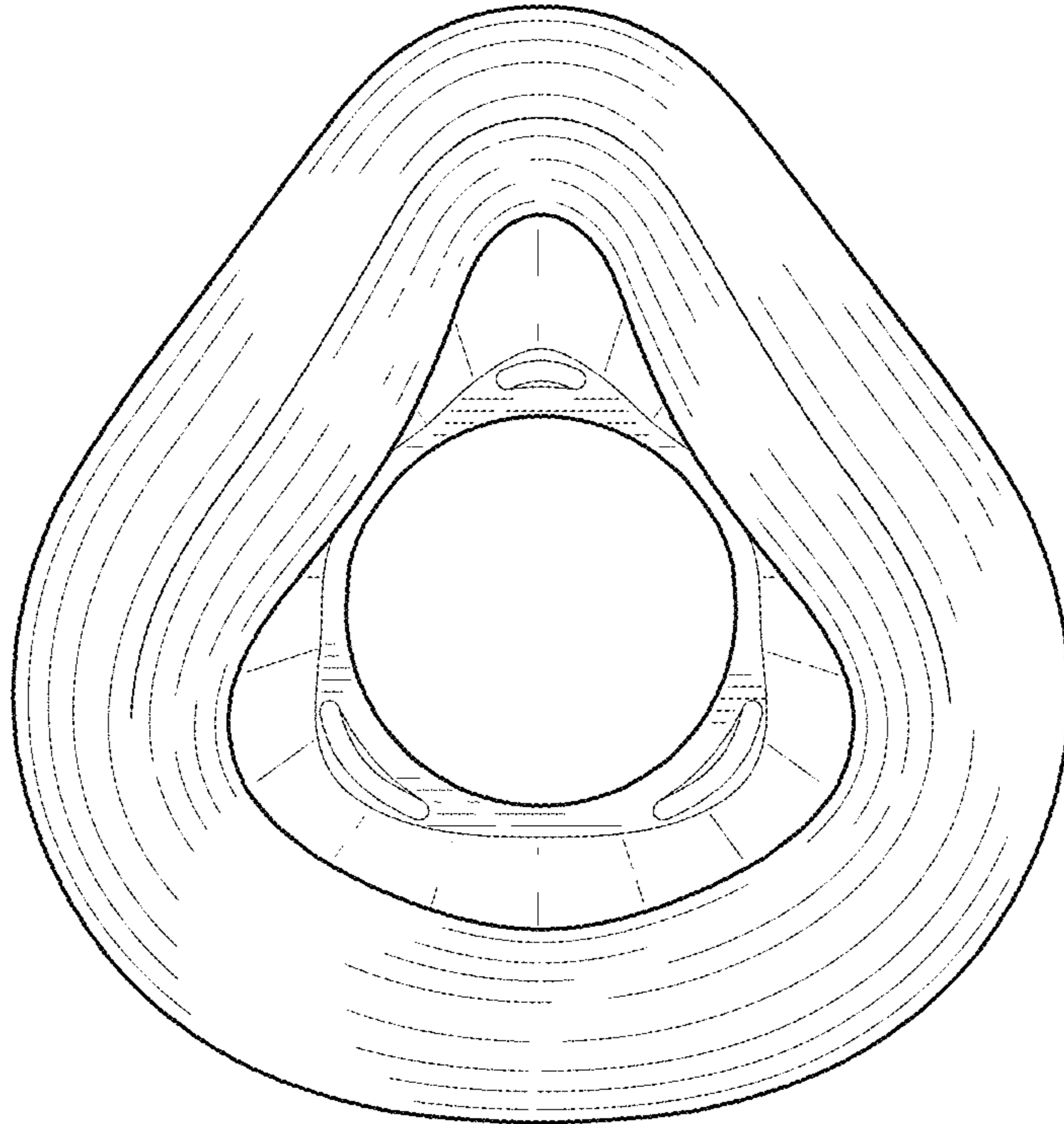


FIG. 3

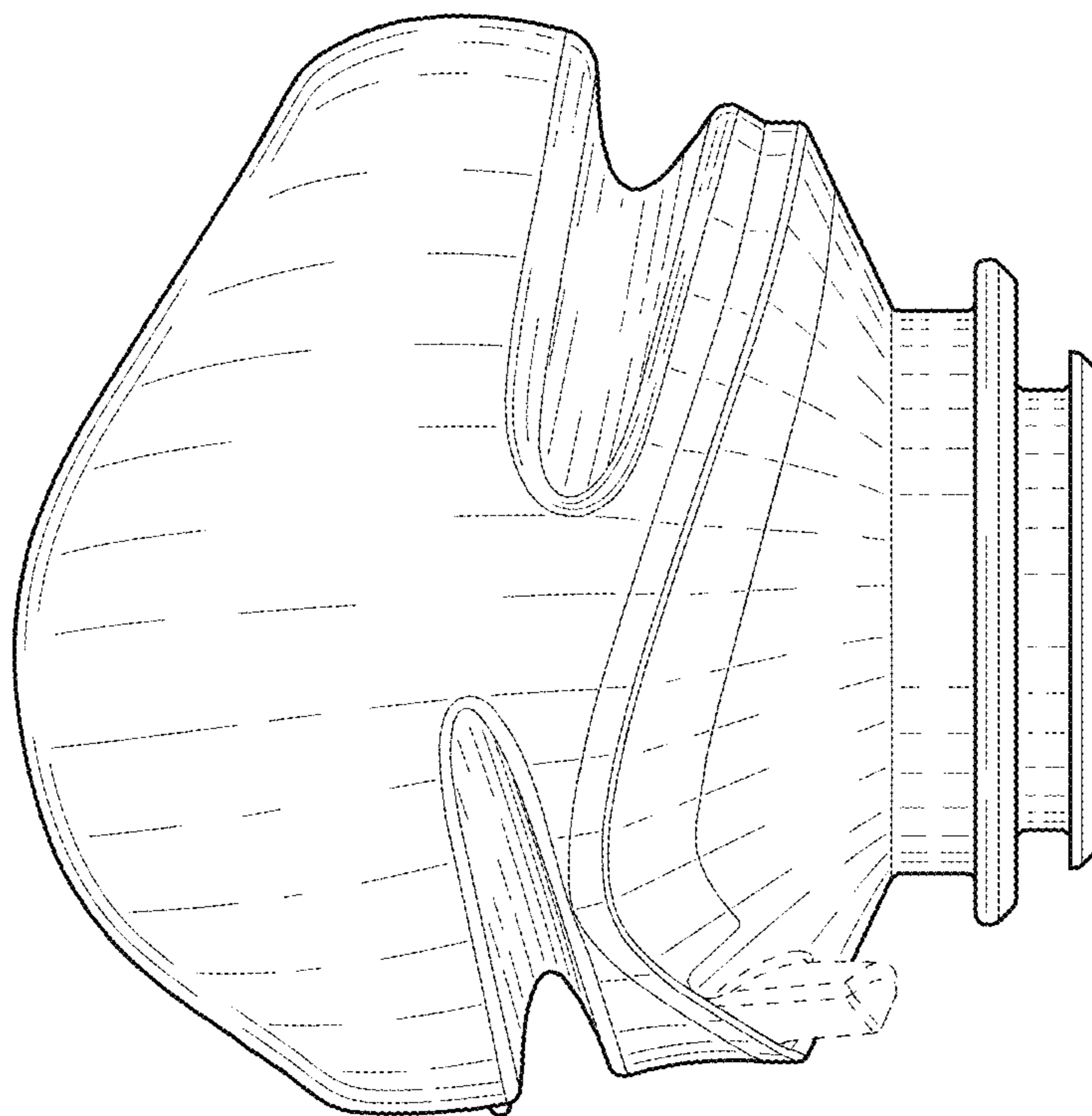


FIG. 4

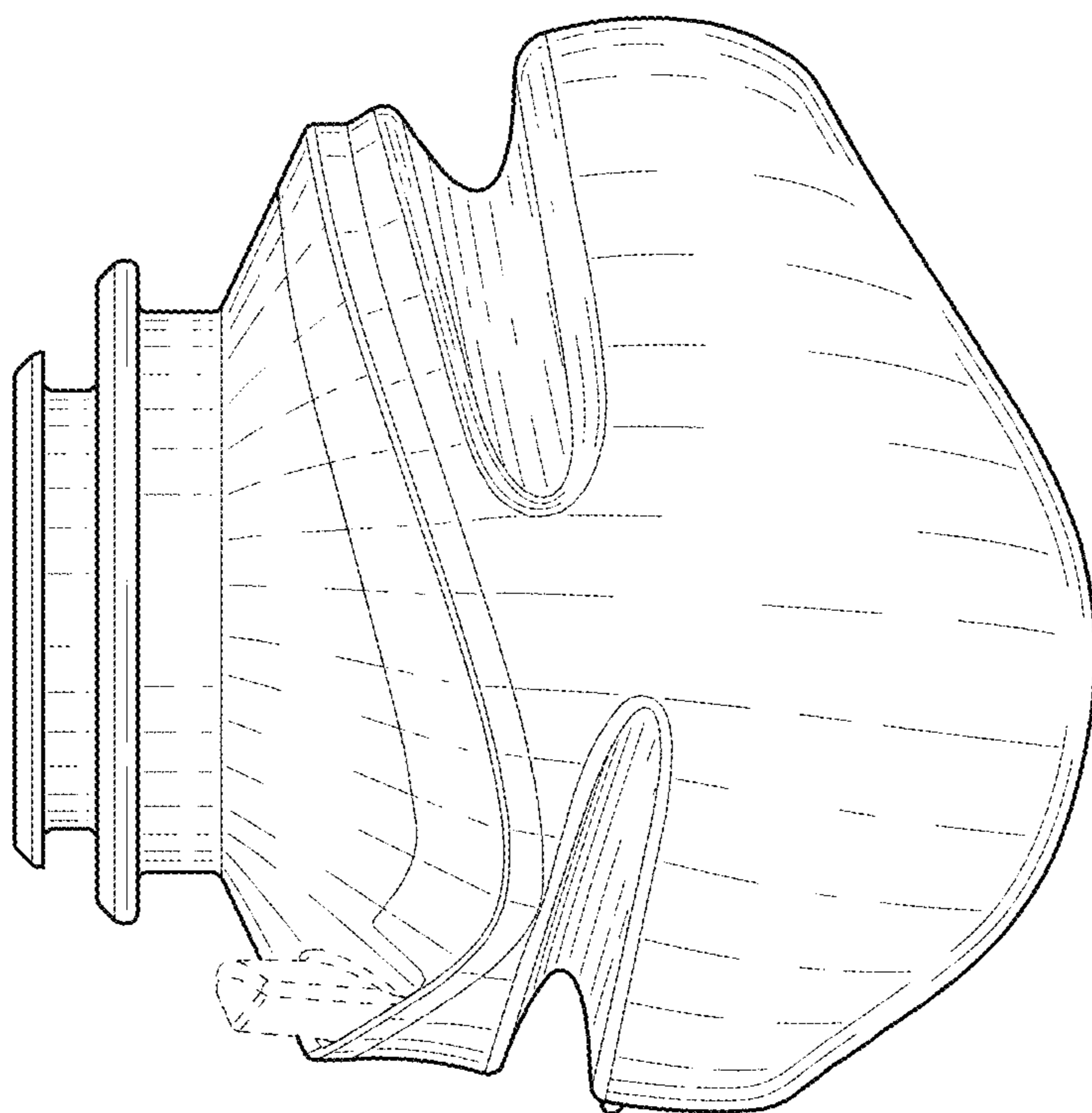


FIG. 5

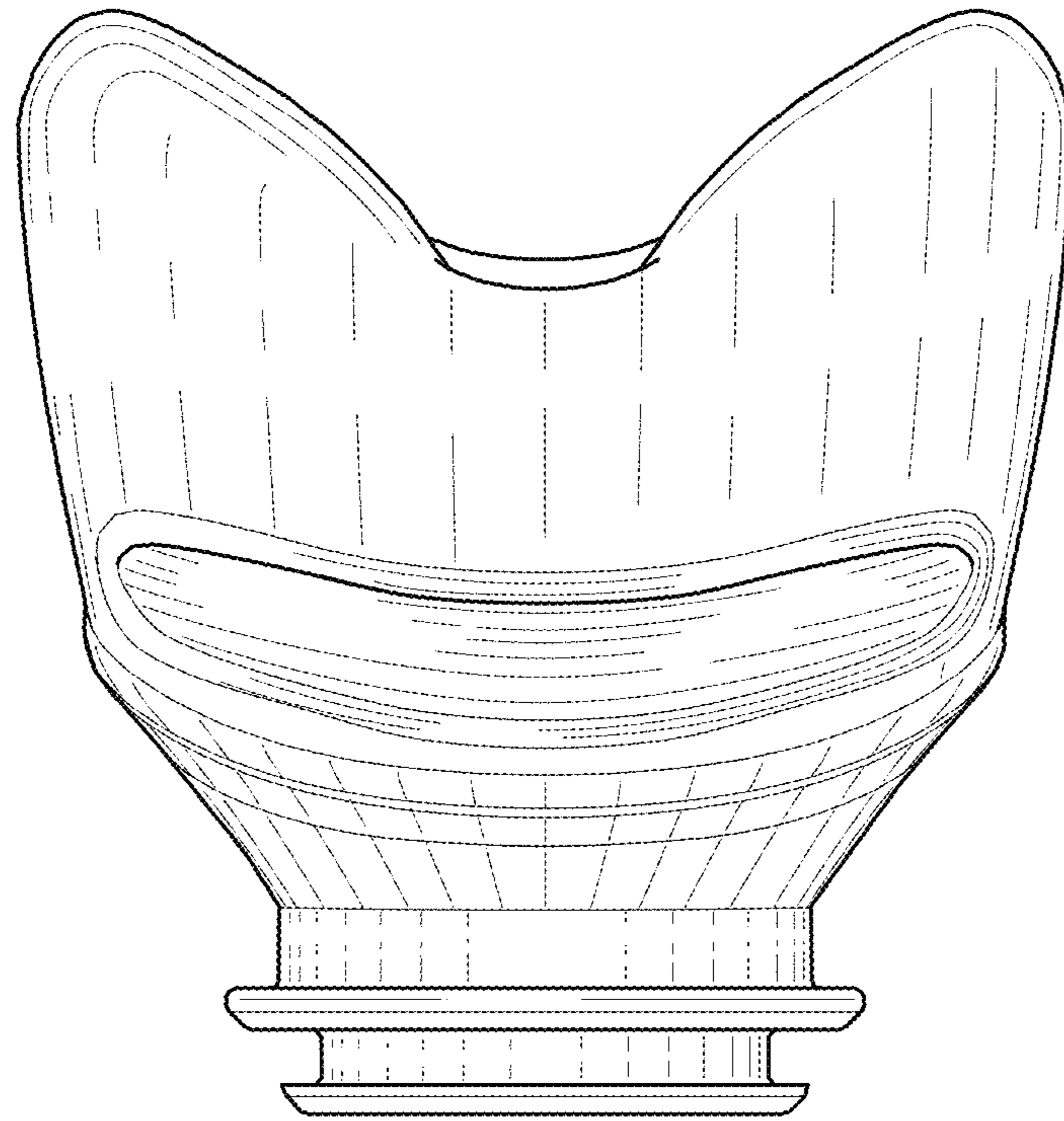


FIG. 6

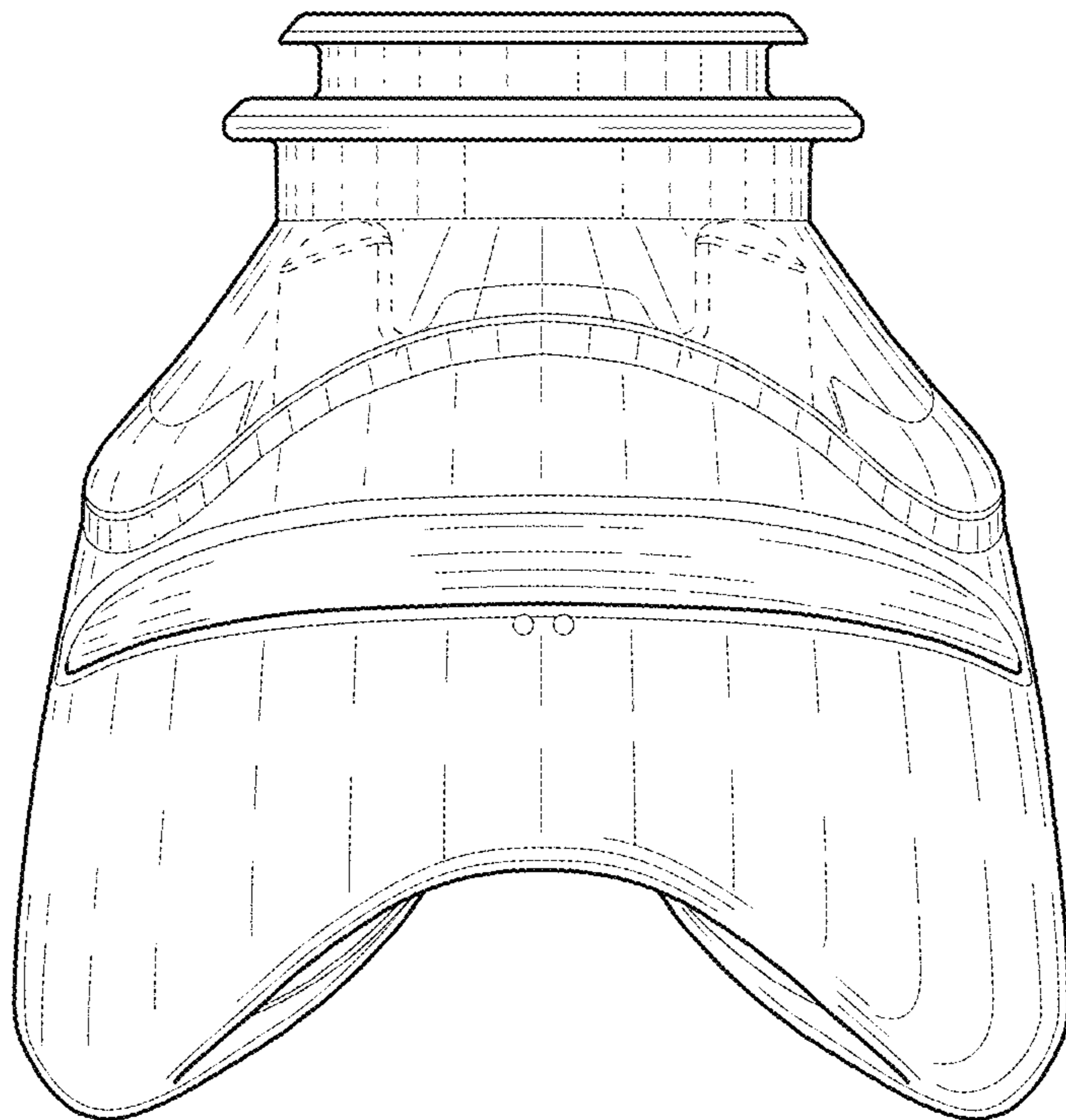


FIG. 7