



US00D717942S

(12) **United States Design Patent**
Neff et al.

(10) **Patent No.:** **US D717,942 S**
(45) **Date of Patent:** **** Nov. 18, 2014**

(54) **PATIENT INTERFACE ASSEMBLY**

(71) Applicant: **Koninklijke Philips Electronics N.V.**,
Eindhoven (NL)

(72) Inventors: **Adam Michael Neff**, Oakmont, PA
(US); **Daniel James Miller**, Cranberry
Township, PA (US); **Timotheos James
Leahy**, Pittsburgh, PA (US); **Matthew
Paul Eury**, Latrobe, PA (US); **Matthew
Michael Julian**, Pittsburgh, PA (US)

(73) Assignee: **Koninklijke Philips N.V.**, Eindhoven
(NL)

(**) Term: **14 Years**

(21) Appl. No.: **29/451,424**

(22) Filed: **Apr. 2, 2013**

(30) **Foreign Application Priority Data**

Oct. 3, 2012 (EM) 002112755-0002

(51) **LOC (10) Cl.** **29-02**

(52) **U.S. Cl.**
USPC **D24/127; D24/110.1**

(58) **Field of Classification Search**
USPC D24/110, 110.1, 110.4, 127, 128,
D24/110.2-110.6; D29/102, 122; D2/866,
D2/891; 128/206.21, 206.27, 207.11,
128/207.17, 205.25

See application file for complete search history.

(56) **References Cited**

U.S. PATENT DOCUMENTS

7,296,575	B1 *	11/2007	Radney	128/207.11
8,042,542	B2 *	10/2011	Ging et al.	128/207.11
D679,799	S *	4/2013	D'Souza et al.	D24/110
D686,313	S *	7/2013	Matula et al.	D24/110.1
D686,314	S *	7/2013	Matula, Jr.	D24/110.1
8,522,784	B2 *	9/2013	Ng et al.	128/206.21
D693,462	S *	11/2013	Rothermel et al.	D24/110.4
D695,887	S *	12/2013	Ozolins et al.	D24/110.4
D707,349	S *	6/2014	D'Souza et al.	D24/110.1
8,757,162	B2 *	6/2014	Veliss et al.	128/207.18

* cited by examiner

Primary Examiner — Robert Delehanty

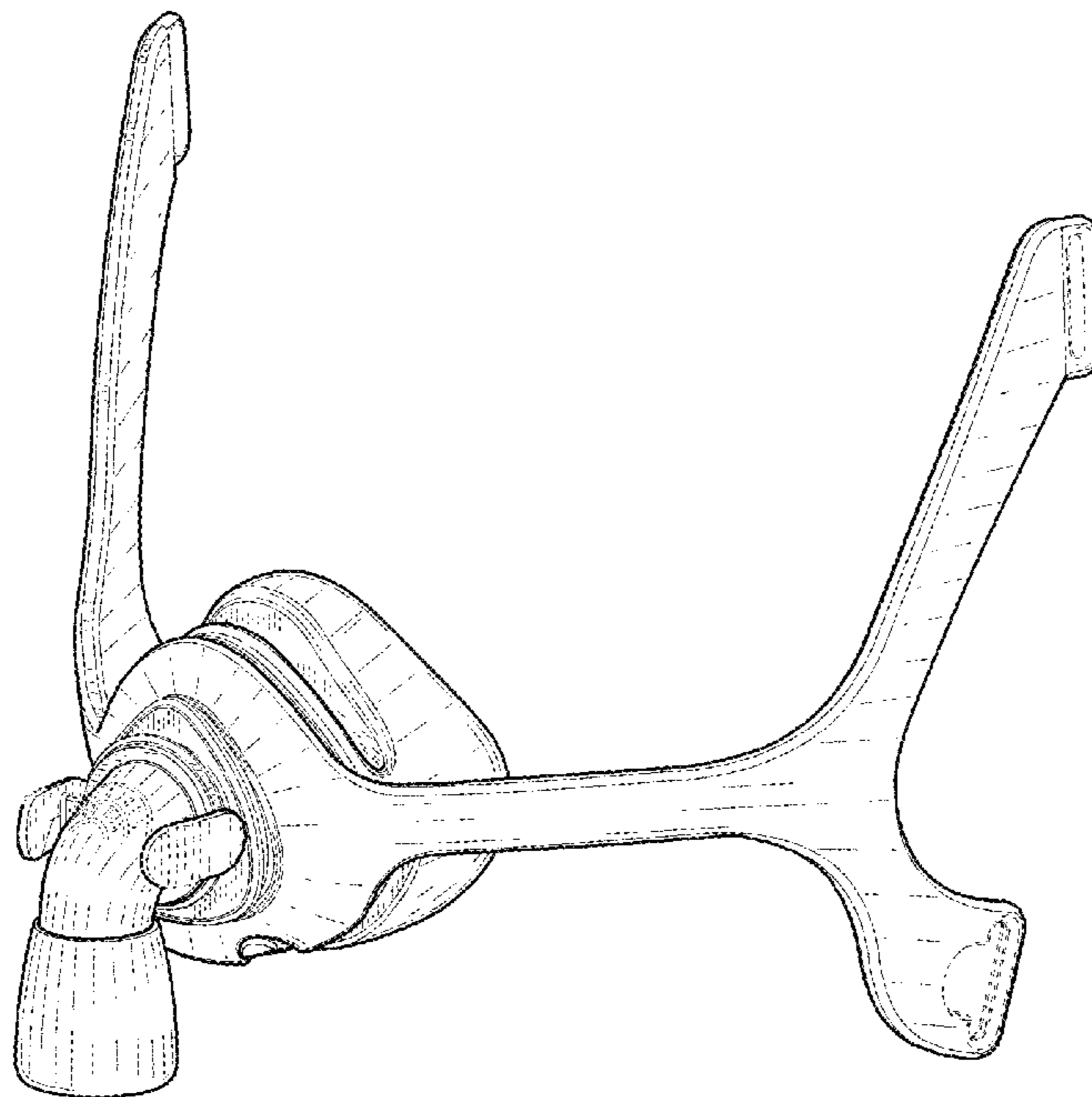
(57) **CLAIM**

The ornamental design for a patient interface assembly, as shown.

DESCRIPTION

FIG. 1 is a perspective view showing my design;
FIG. 2 is a front elevational view thereof;
FIG. 3 is a rear elevational view thereof;
FIG. 4 is a right side elevational view thereof;
FIG. 5 is a left side elevational view thereof;
FIG. 6 is a top plan view thereof; and,
FIG. 7 is a bottom plan view thereof.
The broken lines showing portions of the assembly form no part of the claimed design.

1 Claim, 5 Drawing Sheets



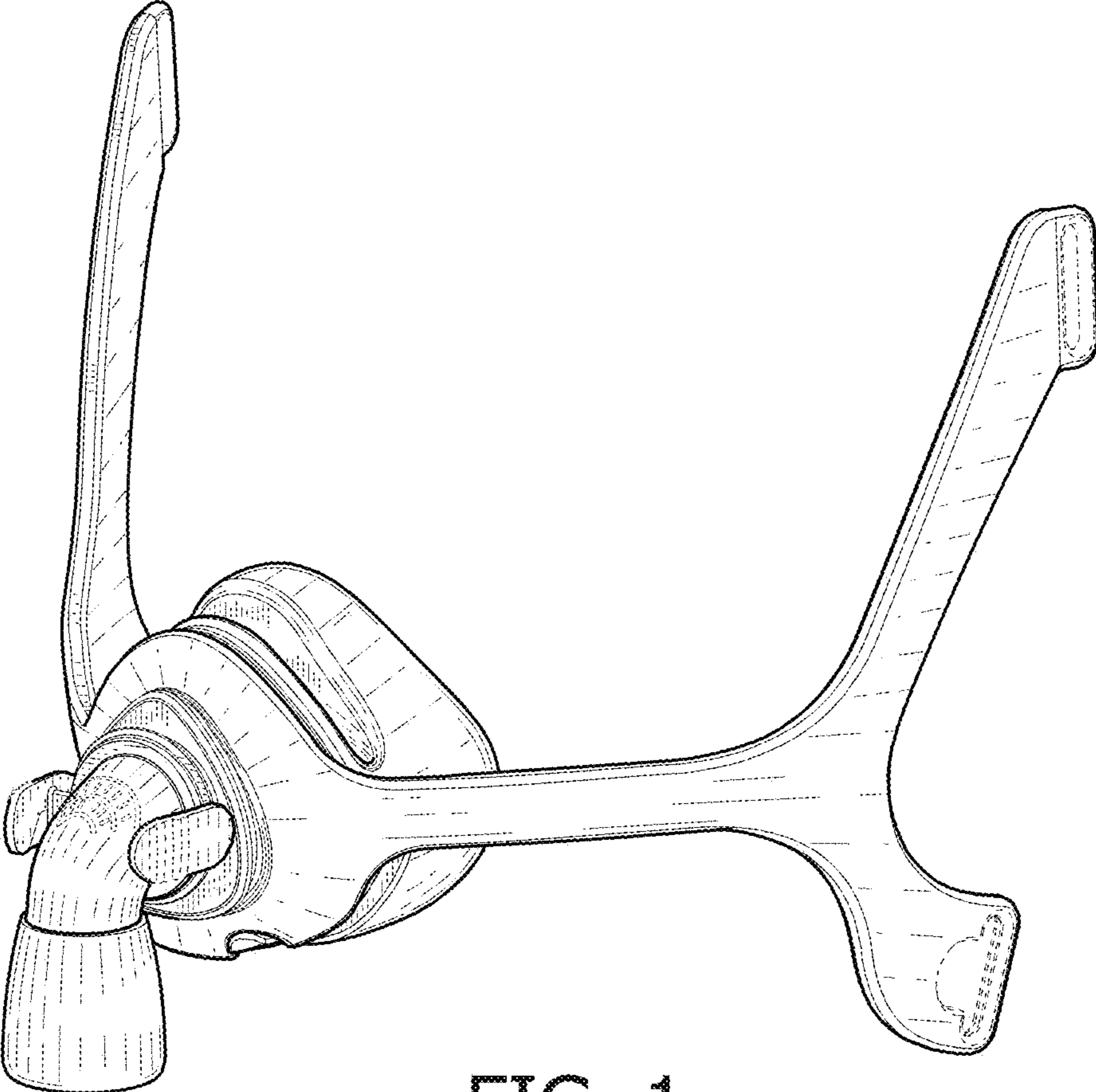


FIG. 1

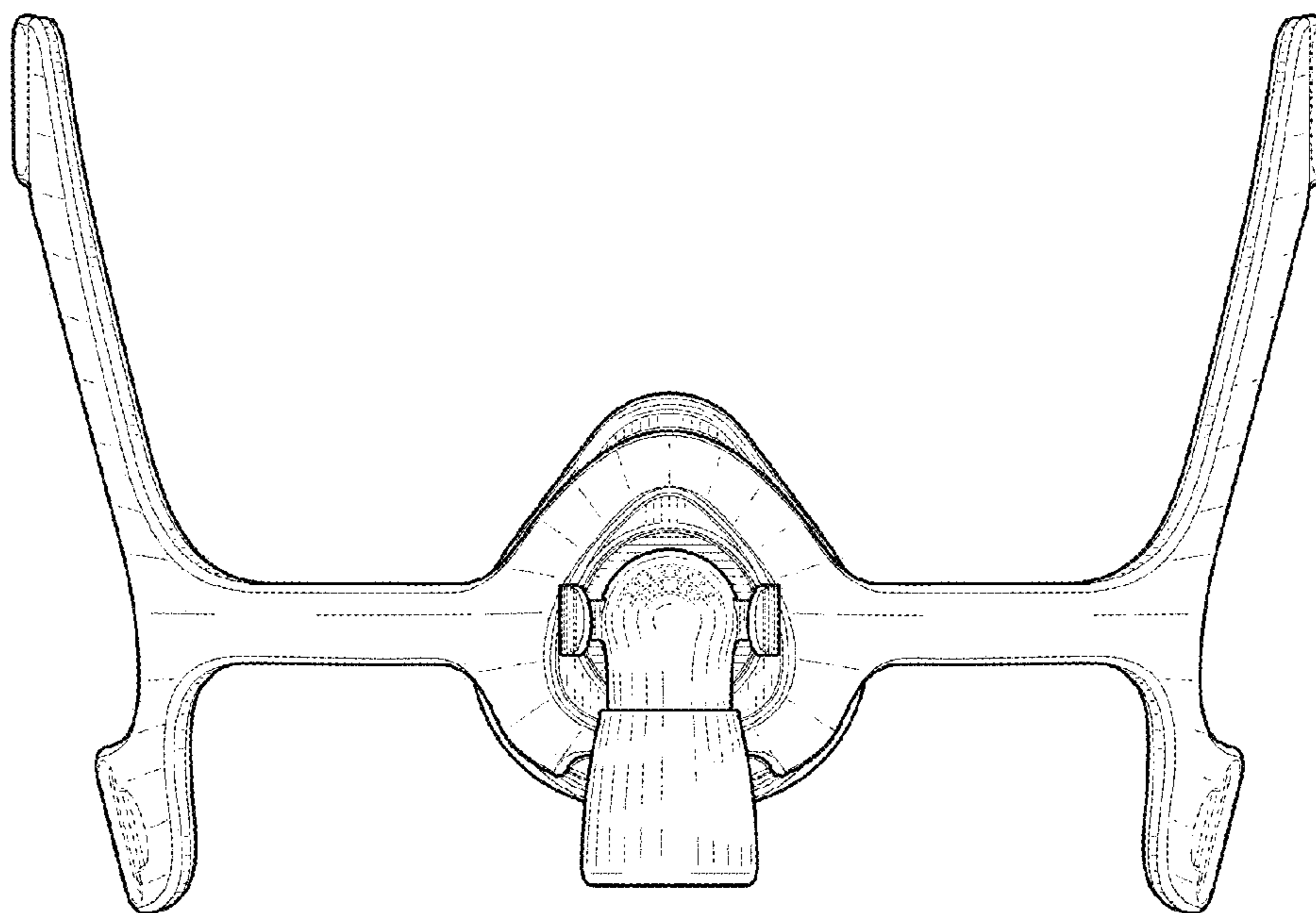


FIG. 2

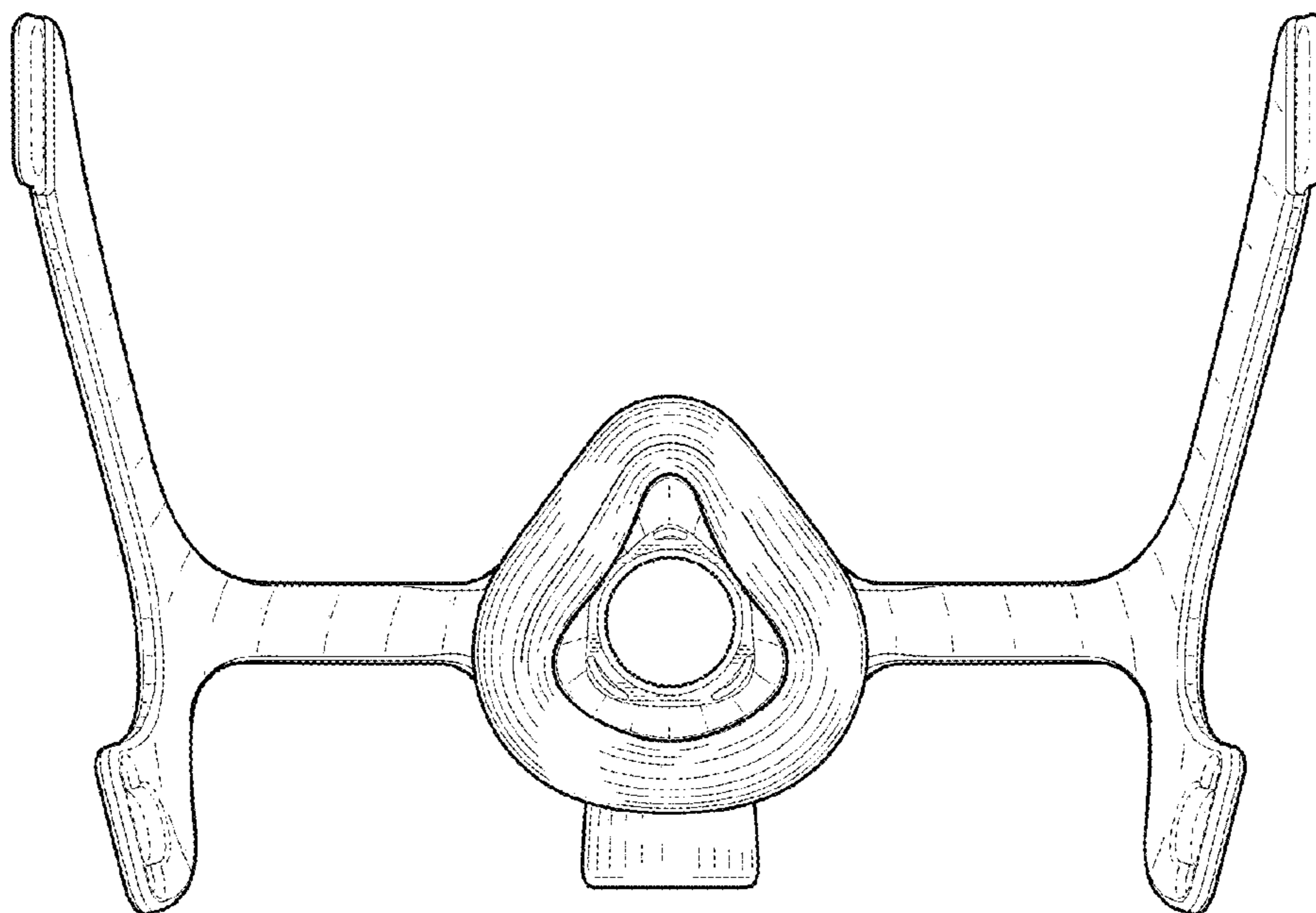


FIG. 3

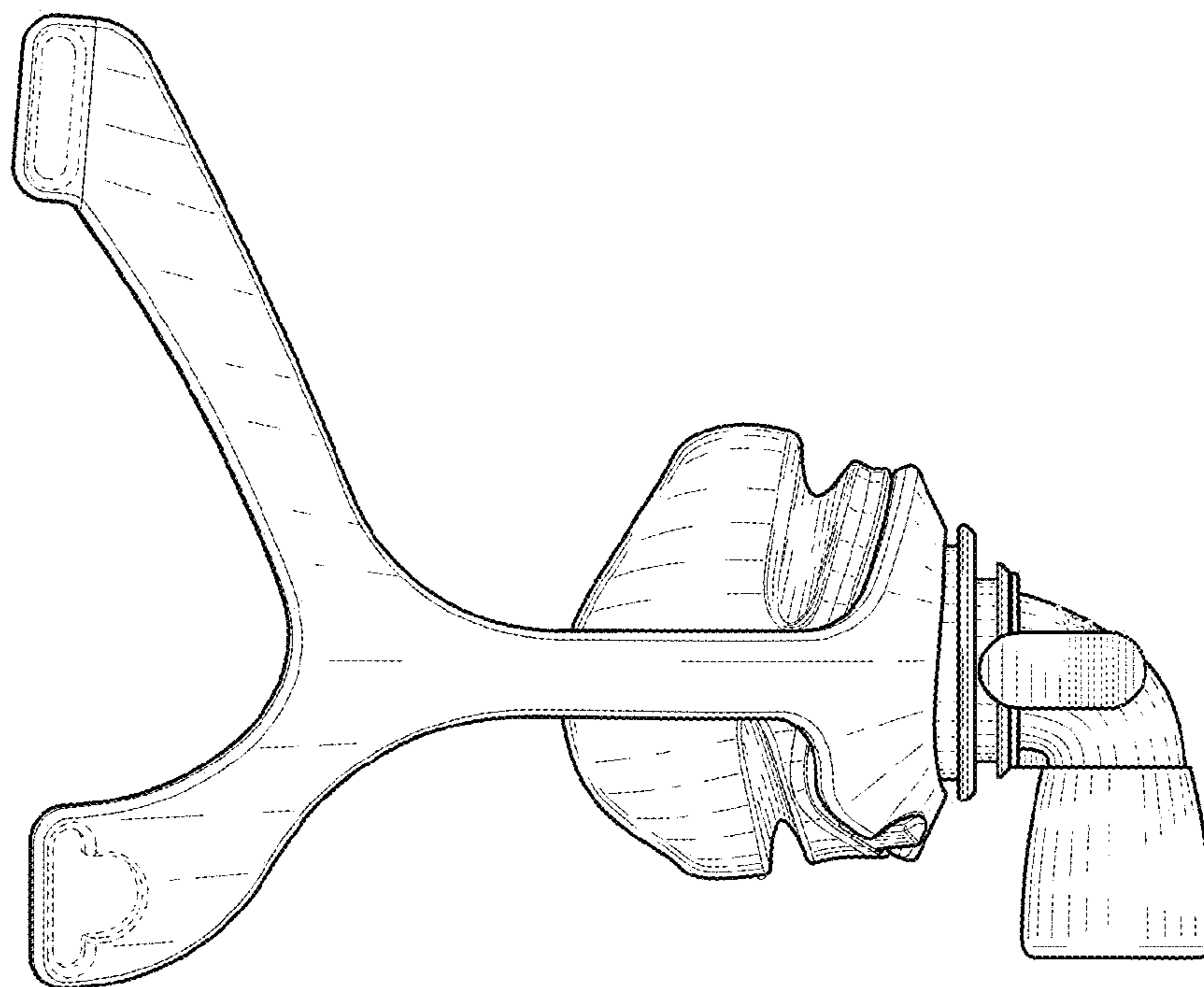


FIG. 4

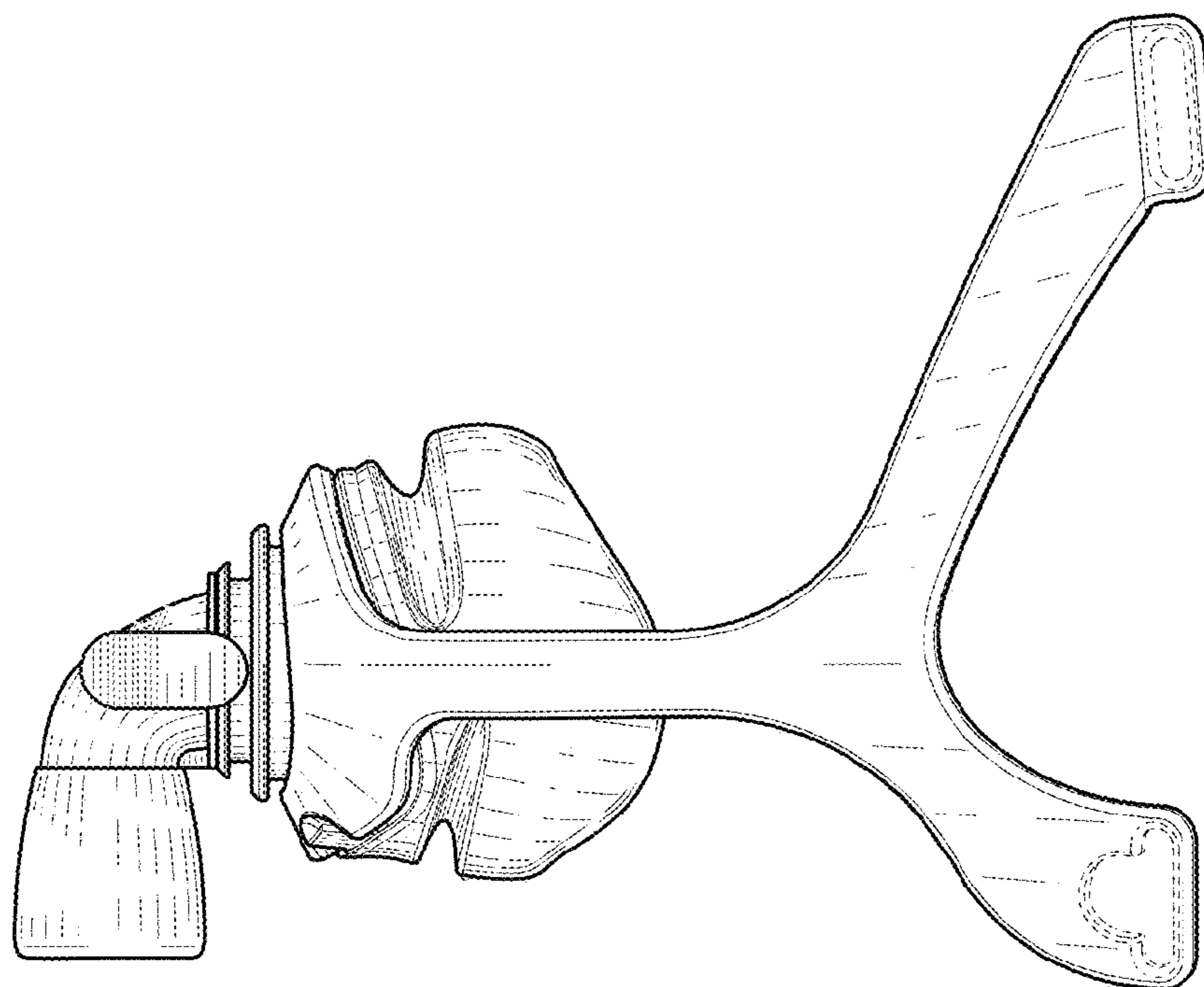


FIG. 5

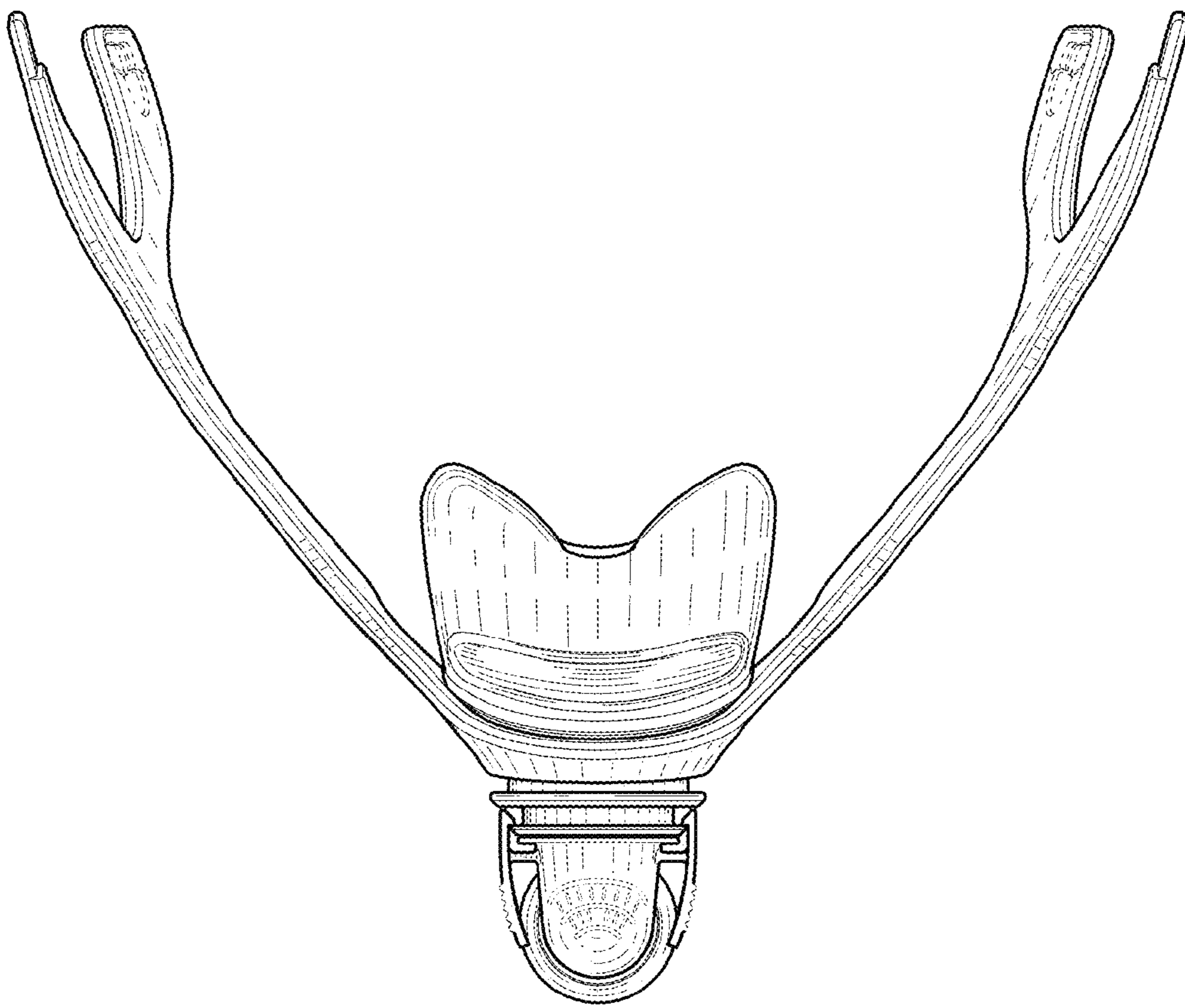


FIG. 6

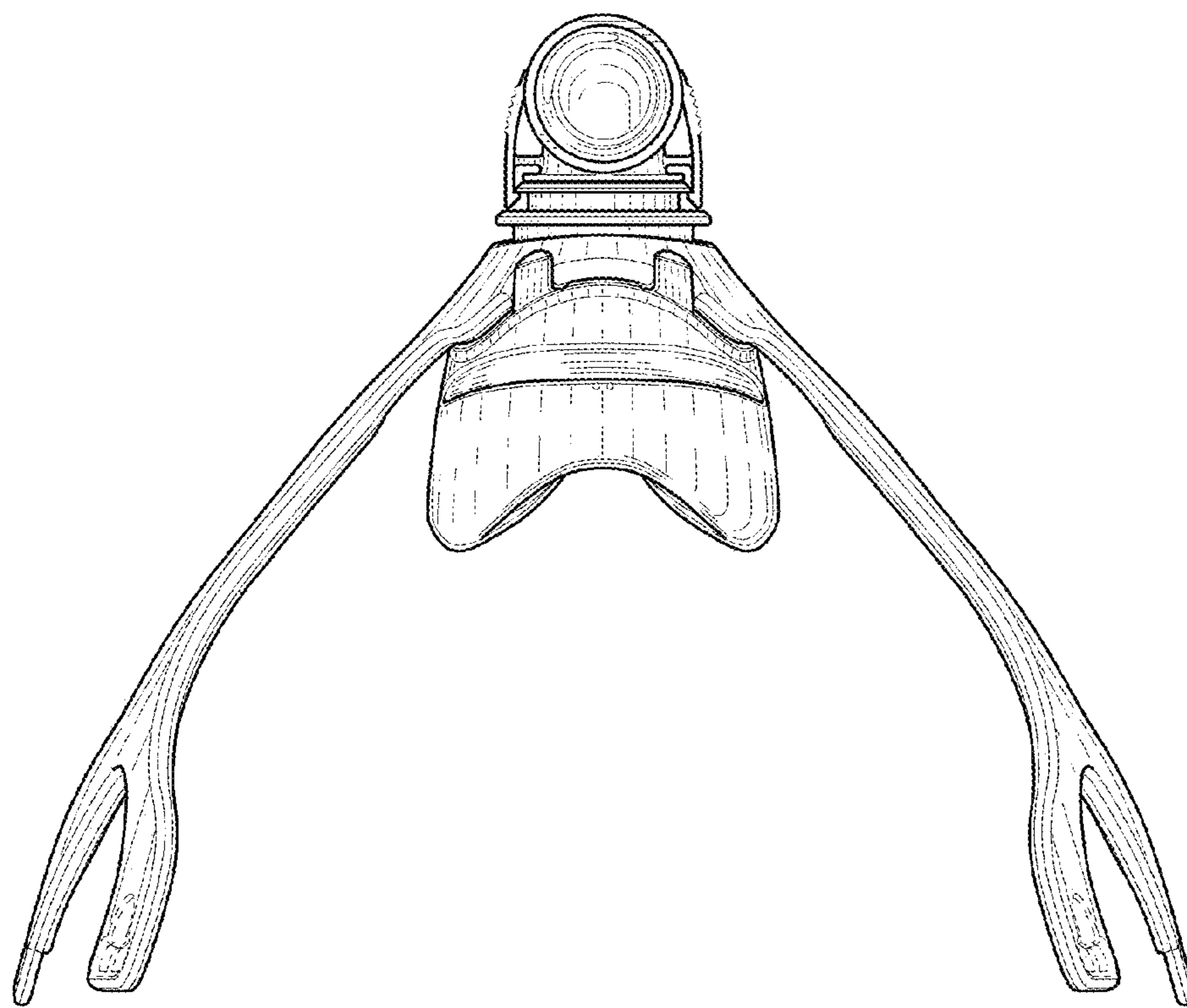


FIG. 7