



US00D717938S

(12) **United States Design Patent**
Duncan et al.

(10) **Patent No.:** **US D717,938 S**

(45) **Date of Patent:** **** Nov. 18, 2014**

(54) **EARPLUG**

(71) Applicant: **Syzygy Memory Plastics**, Dallas, TX
(US)

(72) Inventors: **Phillip Brent Duncan**, Lewisville, TX
(US); **Michael Robert Moussa**, Euless,
TX (US); **James C. Amato**, Dallas, TX
(US)

(73) Assignee: **Syzygy Memory Plastics**, Dallas, TX
(US)

(**) Term: **14 Years**

(21) Appl. No.: **29/446,576**

(22) Filed: **Feb. 25, 2013**

(51) **LOC (10) Cl.** **24-04**

(52) **U.S. Cl.**
USPC **D24/106**

(58) **Field of Classification Search**
CPC A61F 11/08; A61F 2011/085
USPC D24/105, 106, 173, 174; D14/205, 206,
D14/223; D29/112; 128/864, 865; 181/135;
381/380

See application file for complete search history.

(56) **References Cited**

U.S. PATENT DOCUMENTS

D239,416 S * 3/1976 Visor D24/106
D521,637 S * 5/2006 Yang D24/106
D539,415 S * 3/2007 Fleming D24/106

D560,792 S * 1/2008 Miller D24/106
D592,300 S * 5/2009 Yeh D24/106
D604,409 S * 11/2009 Scanlon D24/106
D624,999 S * 10/2010 Turdjian et al. D24/106
D651,302 S * 12/2011 Falco D24/106
8,479,744 B2 * 7/2013 Fleming 128/864
2012/0272974 A1 * 11/2012 Magidson et al. 128/864

* cited by examiner

Primary Examiner — Ian Simmons

Assistant Examiner — Richelle G Shelton

(74) *Attorney, Agent, or Firm* — Baker & McKenzie LLP

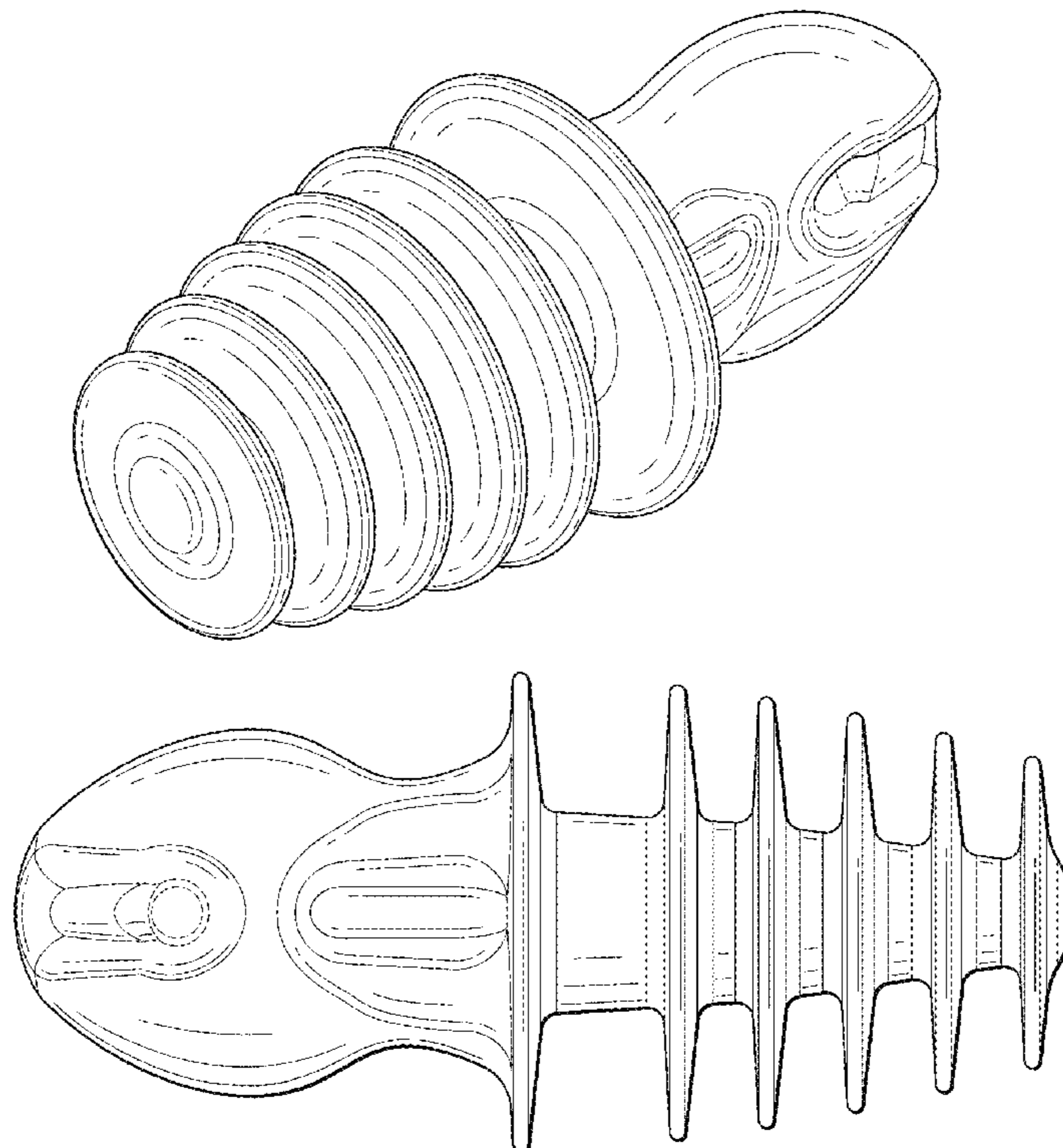
(57) **CLAIM**

The ornamental design for an earplug, substantially as shown and described.

DESCRIPTION

FIG. 1 is a first end perspective view of an earplug;
FIG. 2 is a first end view thereof;
FIG. 3 is a second end view thereof;
FIG. 4 is a first profile view thereof;
FIG. 5 is a second profile view thereof;
FIG. 6 is a first edge view thereof;
FIG. 7 is a second edge view thereof; and,
FIG. 8 is a second end perspective view thereof.
The broken line showing of a portion of the article is included for the purpose of illustrating subject matter excluded from the claim with the line itself and all within forming no part of the claimed design.

1 Claim, 5 Drawing Sheets



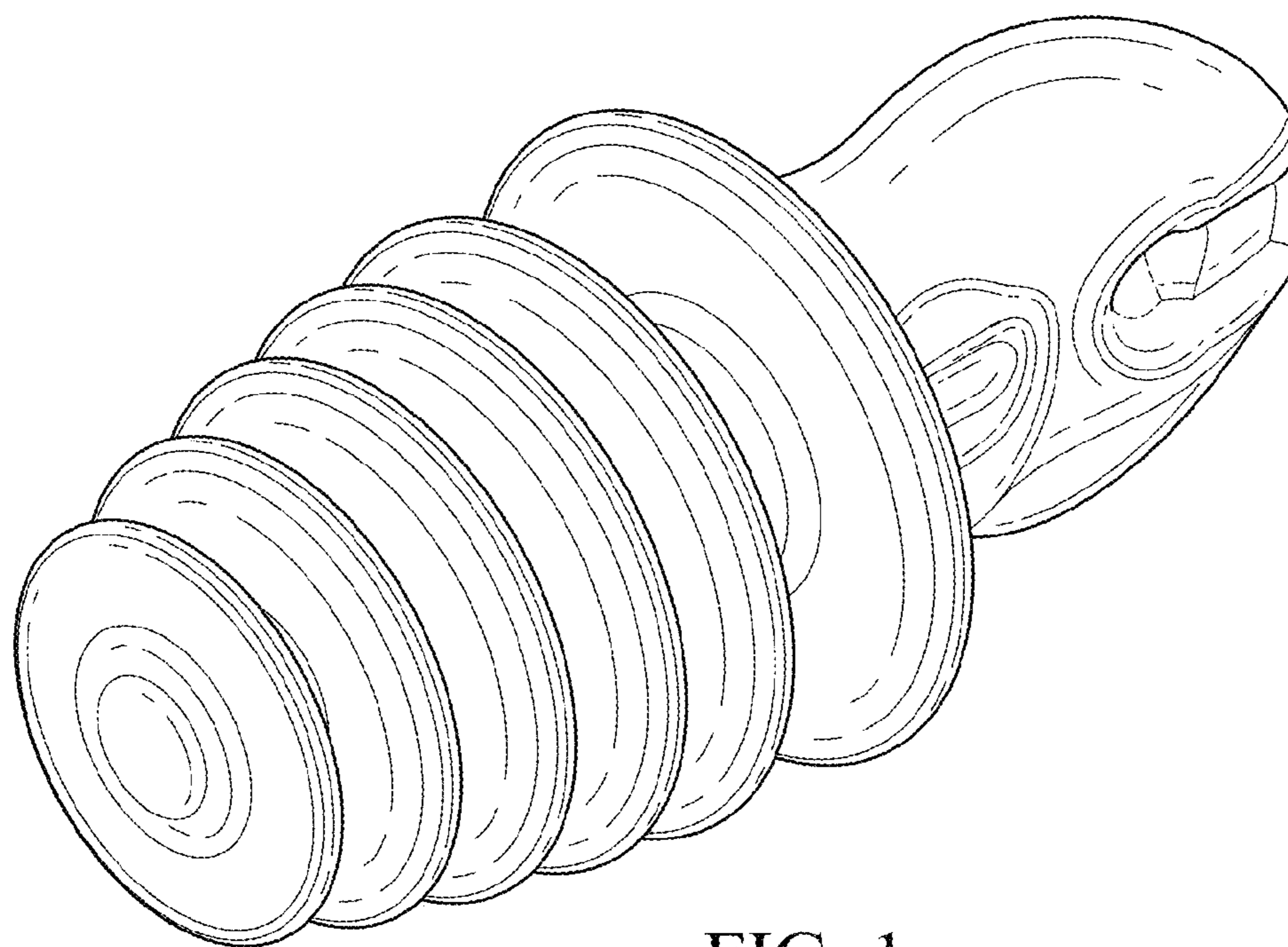


FIG. 1

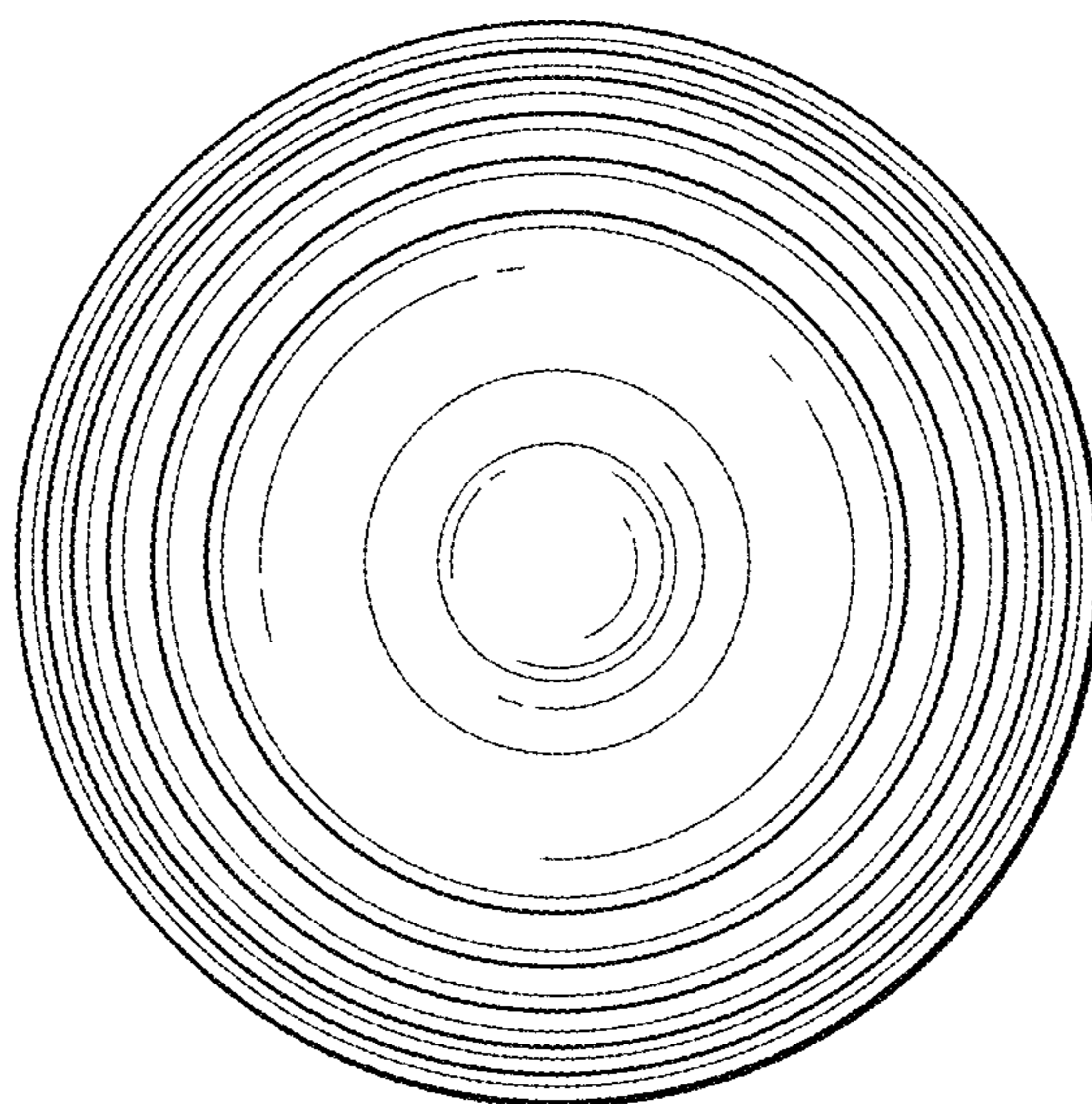


FIG. 2

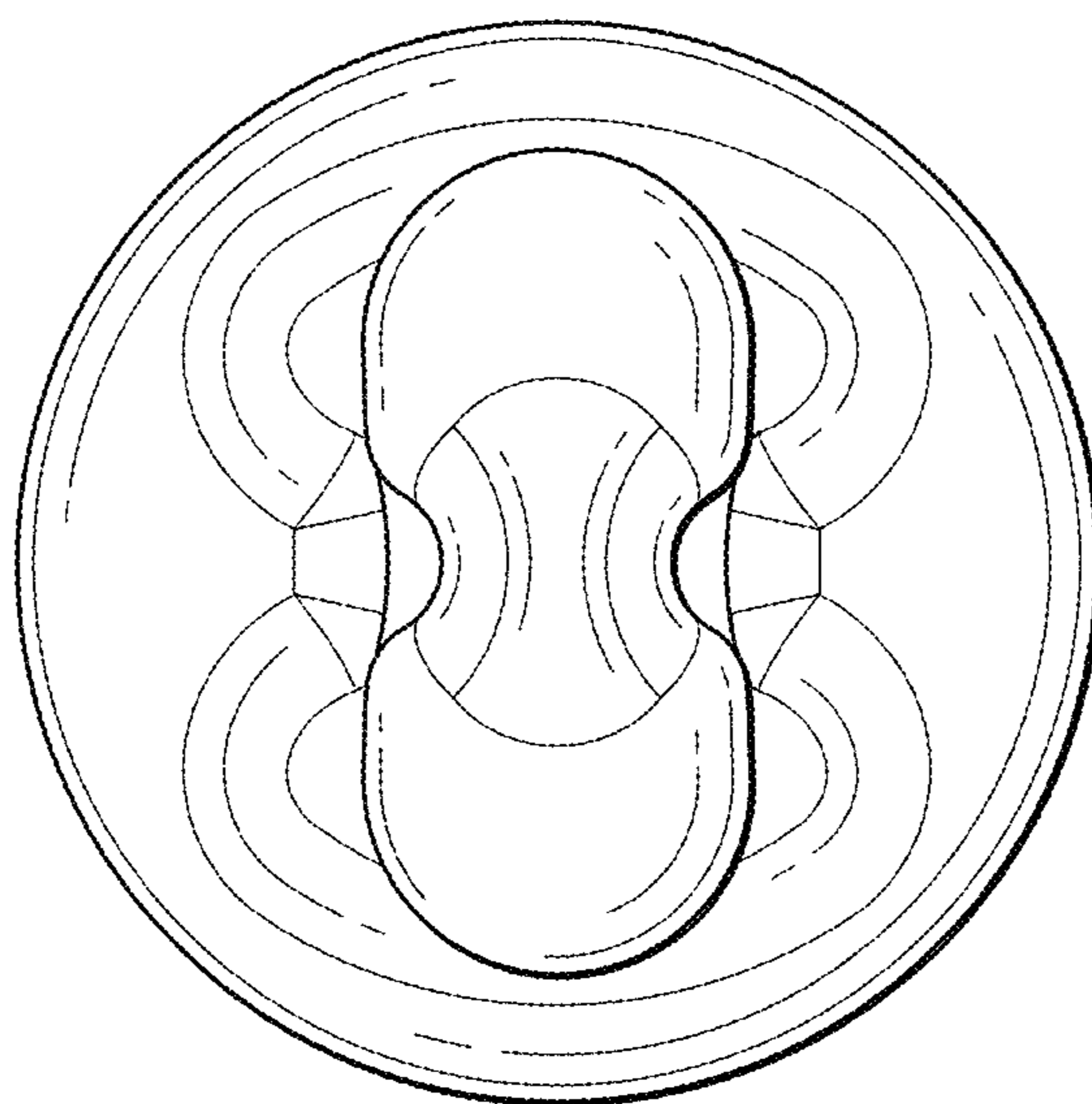


FIG. 3

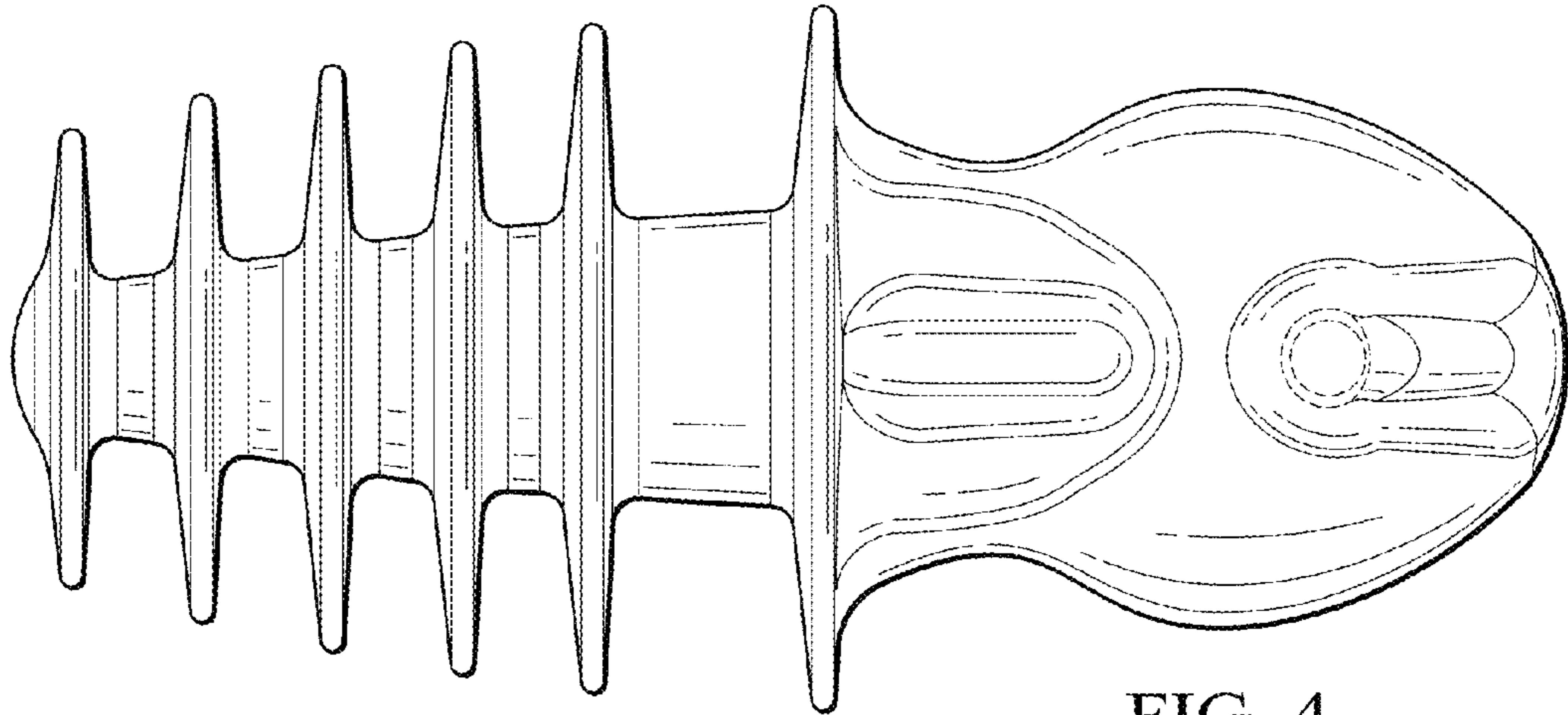


FIG. 4

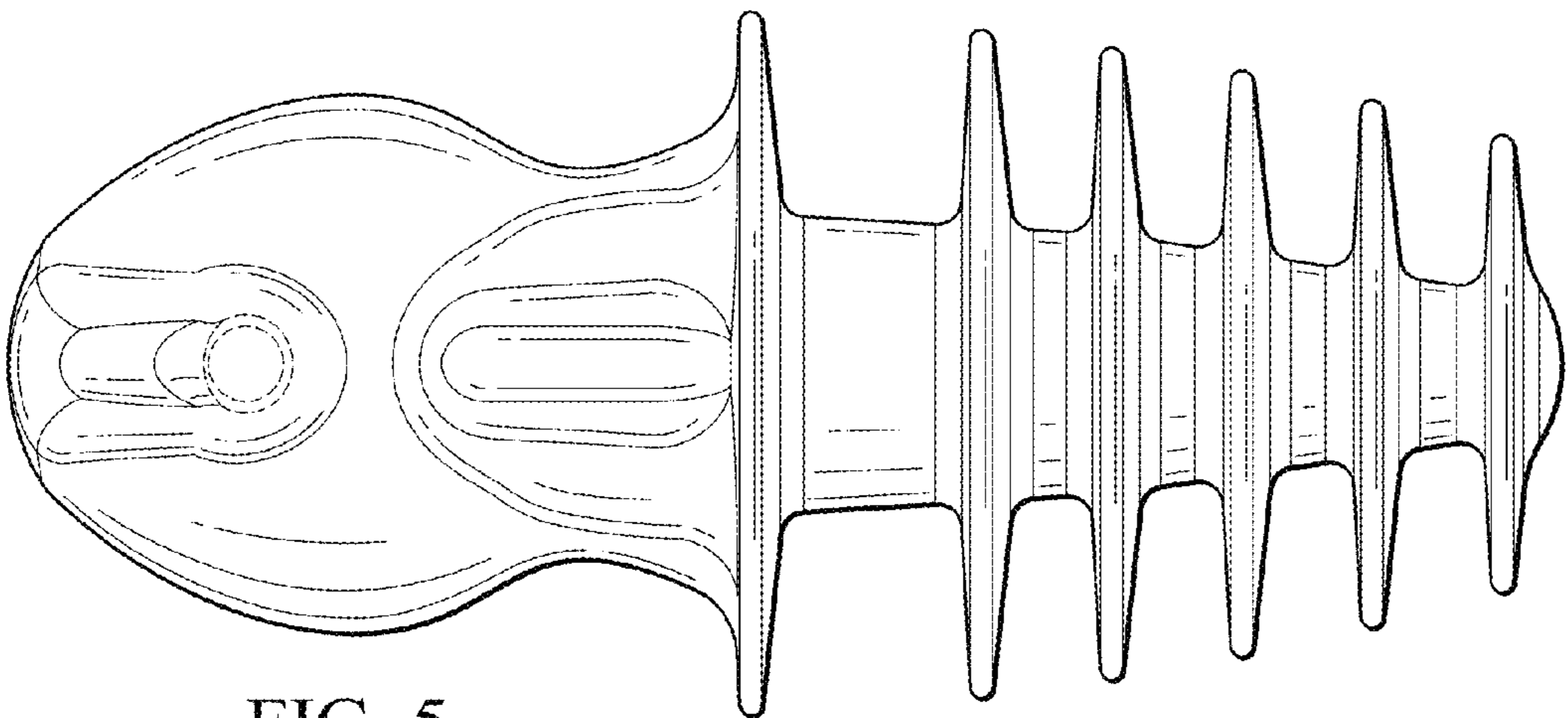


FIG. 5

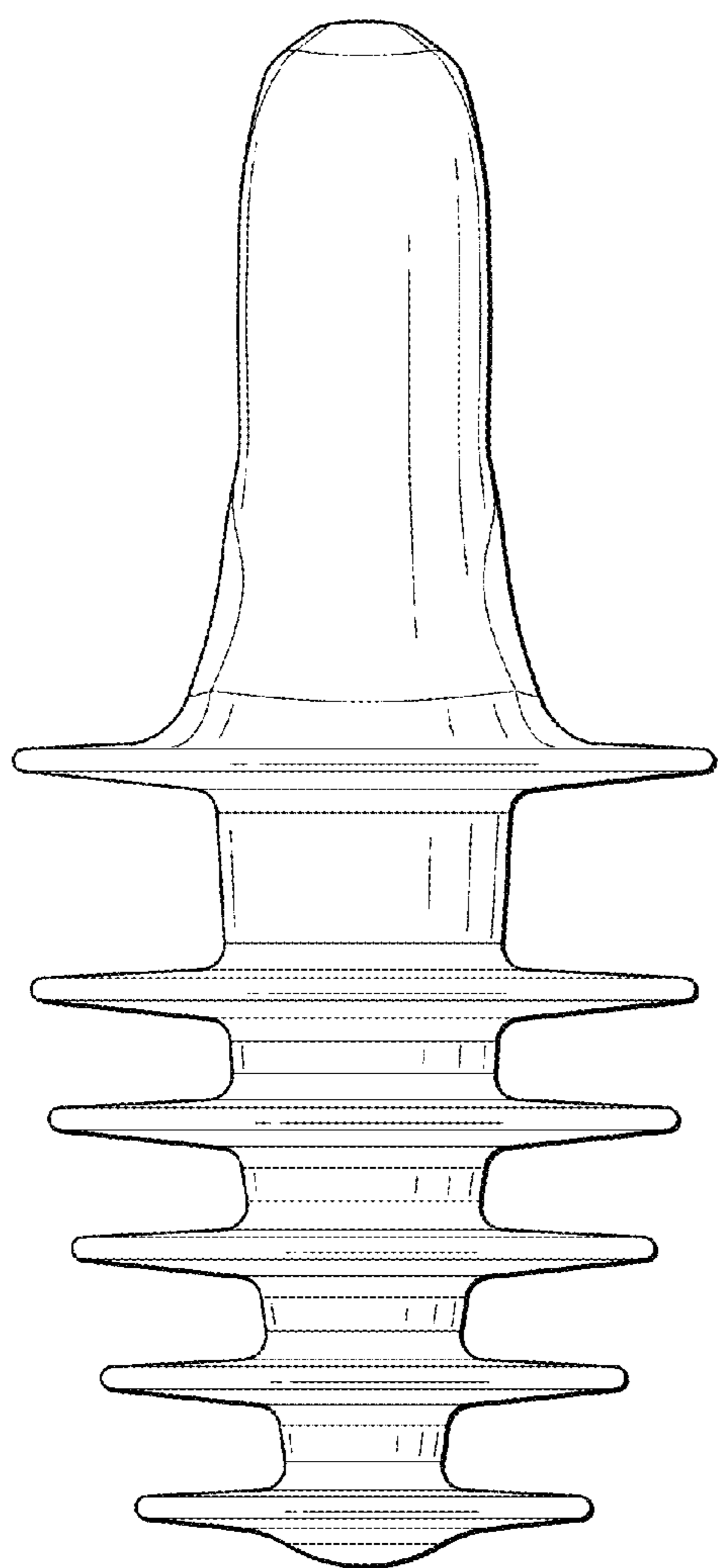


FIG. 6

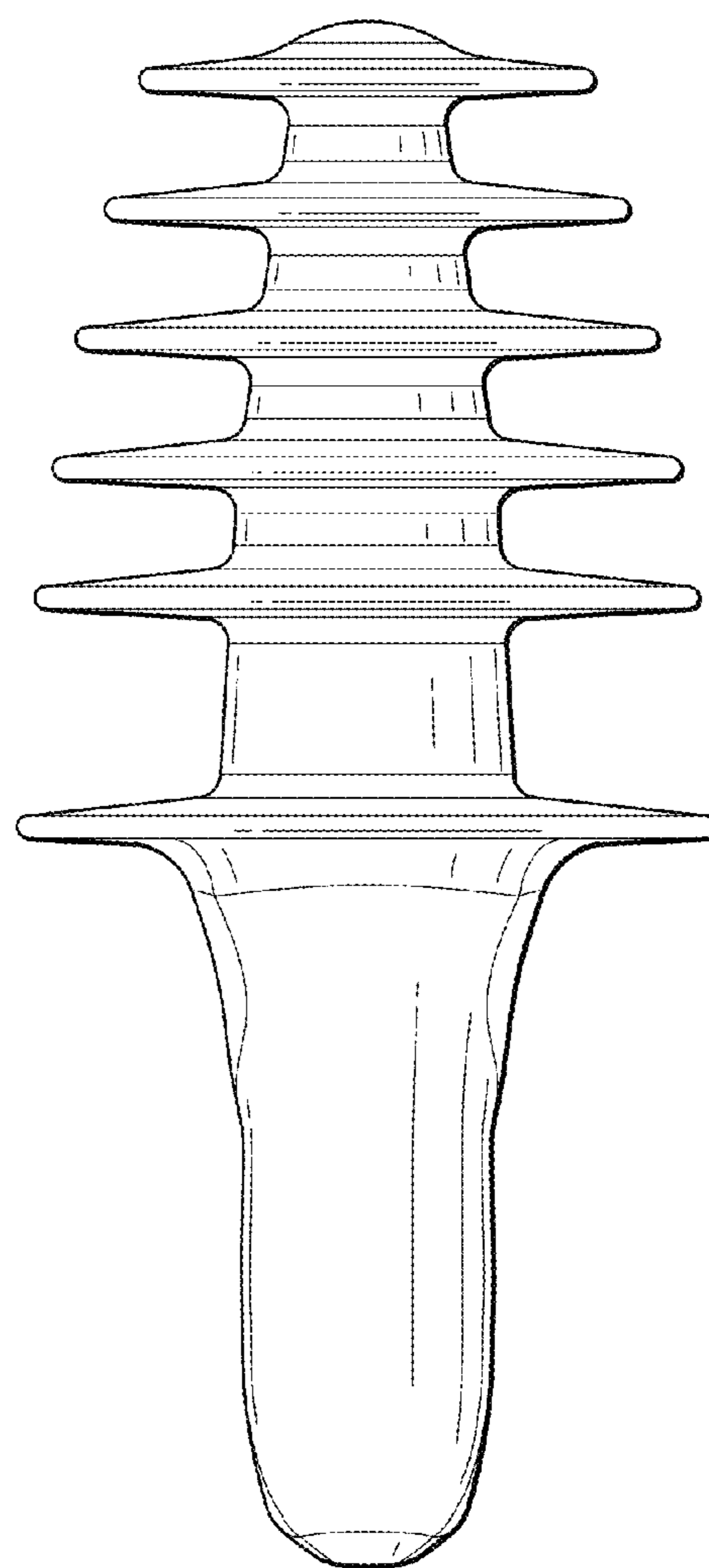


FIG. 7

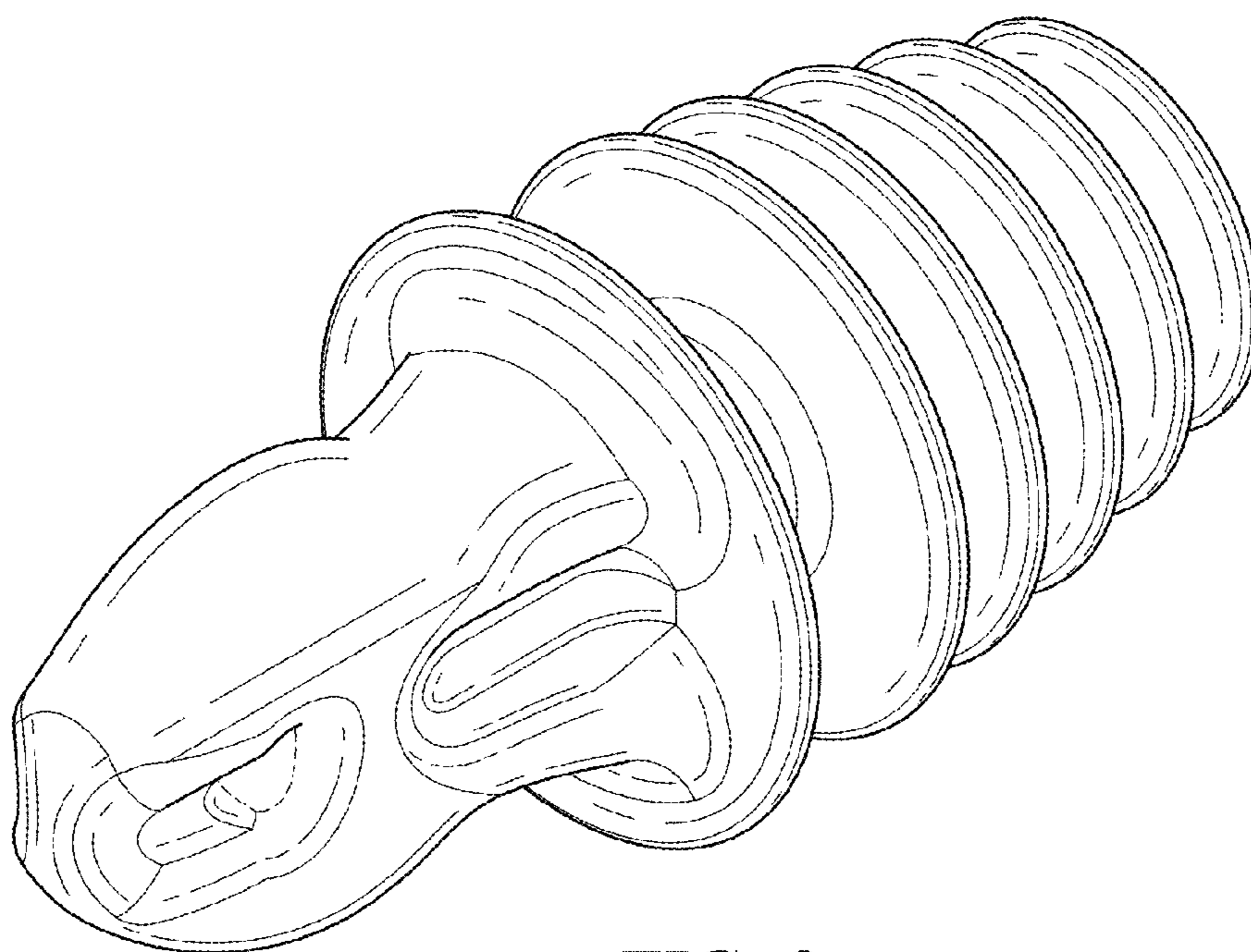


FIG. 8