



US00D717936S

(12) **United States Design Patent**
Peterson

(10) **Patent No.:** **US D717,936 S**

(45) **Date of Patent:** **** Nov. 18, 2014**

(54) **BLADE TIP**

(71) Applicant: **Delta T Corporation**, Lexington, KY
(US)

(72) Inventor: **Greg Peterson**, Nicholasville, KY (US)

(73) Assignee: **Delta T Corporation**, Lexington, KY
(US)

(**) Term: **14 Years**

(21) Appl. No.: **29/483,347**

(22) Filed: **Feb. 27, 2014**

(51) **LOC (10) Cl.** **23-04**

(52) **U.S. Cl.**
USPC **D23/413**

(58) **Field of Classification Search**
USPC D23/413, 355, 411, 412, 414, 324, 331,
D23/343, 370-387, 499; D12/214, 332,
D12/338, 345; D32/18, 25, 31, 32;
416/210 R, 241 R, 244 R, 170 R, 184,
416/204 R, 206, 207, 214 R, 220 R, 228,
416/90 R, 191, 242, 243, 223 R, 224, 147;
417/423.1; 244/199.4, 123.1

See application file for complete search history.

(56) **References Cited**

U.S. PATENT DOCUMENTS

37,106	A *	12/1862	Payne	416/210 R
59,781	A *	11/1866	Rittenhouse	416/10 R
60,988	A *	1/1867	Banks	416/210 R
1,940,318	A *	12/1933	Morse	416/210 R
2,014,032	A *	9/1935	Sharpe et al.	416/228
2,426,742	A *	9/1947	Pawlowski	416/189
5,035,576	A *	7/1991	Byrnes et al.	416/134 R
D371,650	S *	7/1996	Dingelstad	D32/18
D448,895	S *	10/2001	Andreas	D32/18

7,252,478	B2	8/2007	Aynsley et al.	
7,284,960	B2	10/2007	Aynsley	
D581,342	S *	11/2008	Cazals D12/345
D587,799	S	3/2009	Oleson	
D604,408	S *	11/2009	Searle D23/411
D605,590	S *	12/2009	Chen et al. D13/115
7,654,798	B2	2/2010	Aynsley	
7,934,907	B2	5/2011	Aynsley et al.	
D641,075	S	7/2011	Fizer et al.	
D642,674	S	8/2011	Oleson	

(Continued)

OTHER PUBLICATIONS

ISIS Installation Guide Big Ass Fans www.bigassfans.com © 2013
Delta T Corp. DBA Big Ass Fan Co. 56 Pages.

(Continued)

Primary Examiner — Susan Bennett Hattan
Assistant Examiner — Marie Fast Horse
(74) *Attorney, Agent, or Firm* — King & Schickli, PLLC

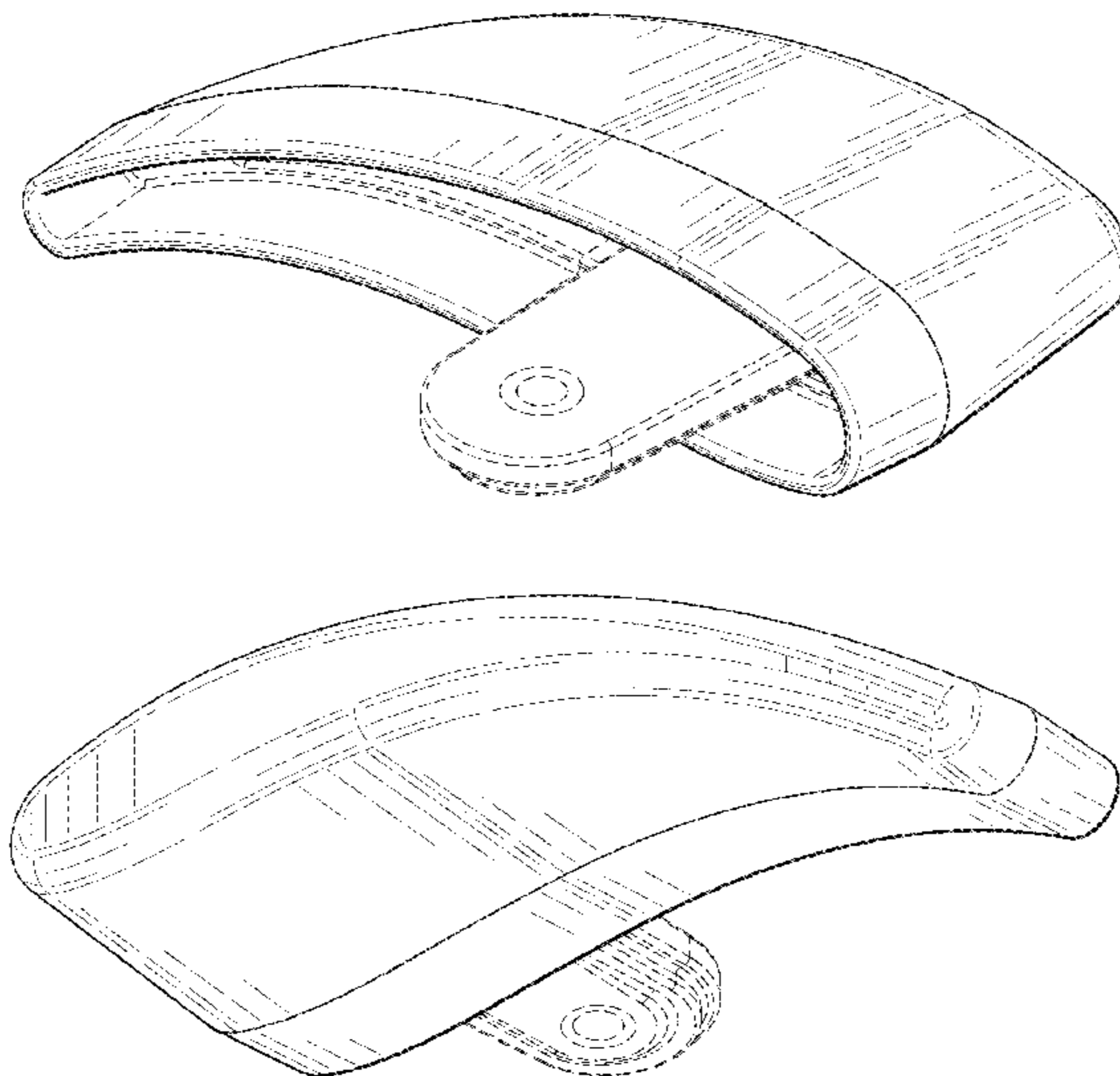
(57) **CLAIM**

The ornamental design for a blade tip, as shown and described.

DESCRIPTION

FIG. 1 is a rear perspective view of the blade tip;
FIG. 2 is a bottom perspective view of the blade tip;
FIG. 3 is a front view of the blade tip;
FIG. 4 is a right side view of the blade tip;
FIG. 5 is a rear view of the blade tip;
FIG. 6 is a left side view of the blade tip;
FIG. 7 is a top view of the blade tip; and,
FIG. 8 is a bottom view of the blade tip.
The broken lines in the drawings depict environmental sub-
ject matter only and form no part of the claimed design.

1 Claim, 5 Drawing Sheets



(56)

References Cited

U.S. PATENT DOCUMENTS

D644,316 S * 8/2011 Spaggiari D23/413
 8,075,273 B2 12/2011 Aynsley
 8,079,823 B2 12/2011 Aynsley et al.
 8,147,182 B2 4/2012 Aynsley et al.
 8,147,204 B2 4/2012 Scherer et al.
 D664,727 S * 7/2012 Park et al. D32/25
 D672,868 S 12/2012 Williams
 D675,313 S * 1/2013 Lindgren D23/413
 D680,213 S * 4/2013 Spaggiari D23/413
 8,529,212 B2 9/2013 Smith et al.
 2008/0213097 A1 * 9/2008 Oleson et al. 416/210 R
 2009/0072108 A1 3/2009 Oleson
 2009/0081045 A1 * 3/2009 Scherer et al. 416/214 R

2009/0148301 A1 * 6/2009 Leahy et al. 416/223 R
 2009/0162197 A1 6/2009 Klemo et al.
 2012/0128501 A1 * 5/2012 Hoofard et al. 416/241 R
 2012/0177500 A1 * 7/2012 Oleson et al. 416/224
 2012/0177509 A1 7/2012 Aynsley et al.
 2012/0187251 A1 * 7/2012 Guida 244/199.4
 2012/0230832 A1 * 9/2012 Stege 416/228
 2013/0048793 A1 * 2/2013 Edmond et al. 244/199.4
 2014/0072431 A1 * 3/2014 Smith et al. 416/170 R
 2014/0117158 A1 * 5/2014 Davies et al. 244/123.1
 2014/0117166 A1 * 5/2014 Campbell et al. 244/199.4

OTHER PUBLICATIONS

Design U.S. Appl. No. 29/458,161, filed Jun. 17, 2013, 31 Pages.

* cited by examiner

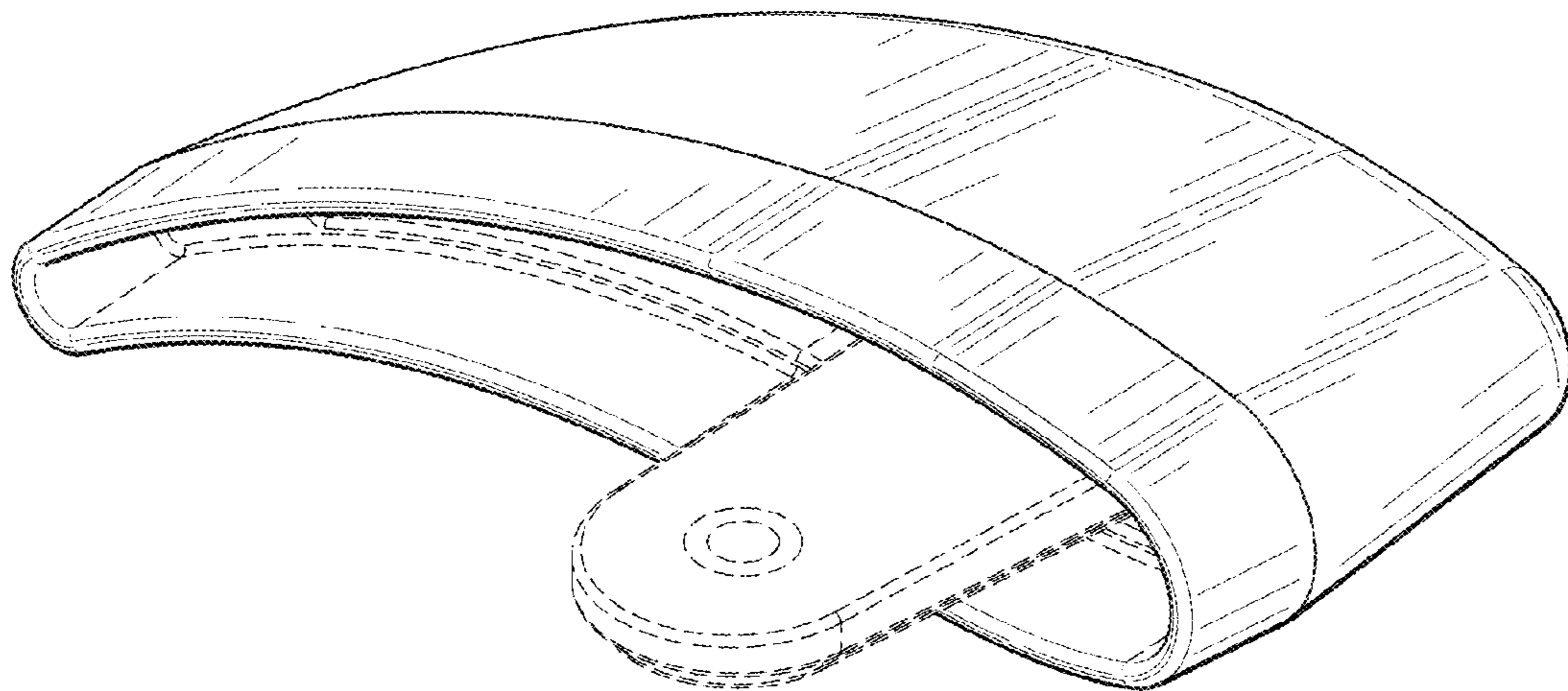


FIG. 1

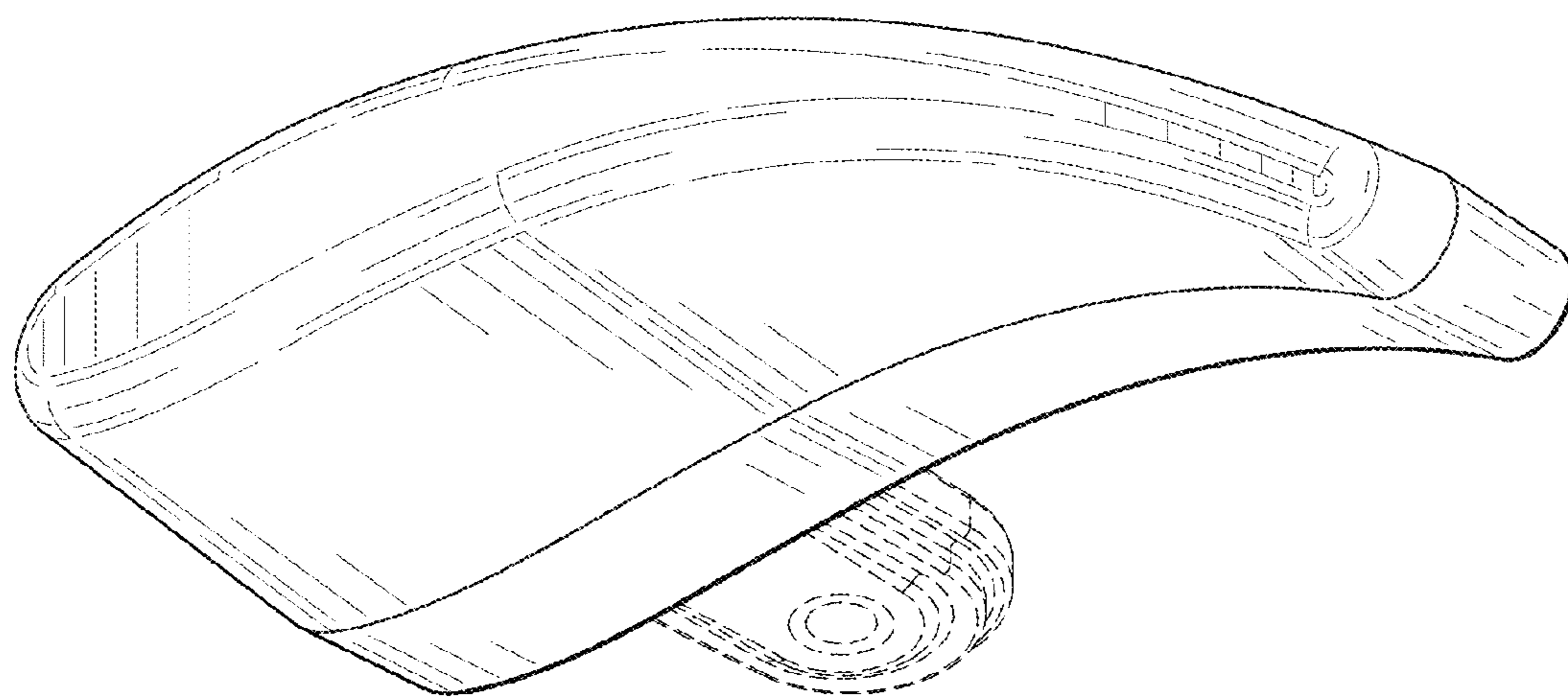


FIG. 2

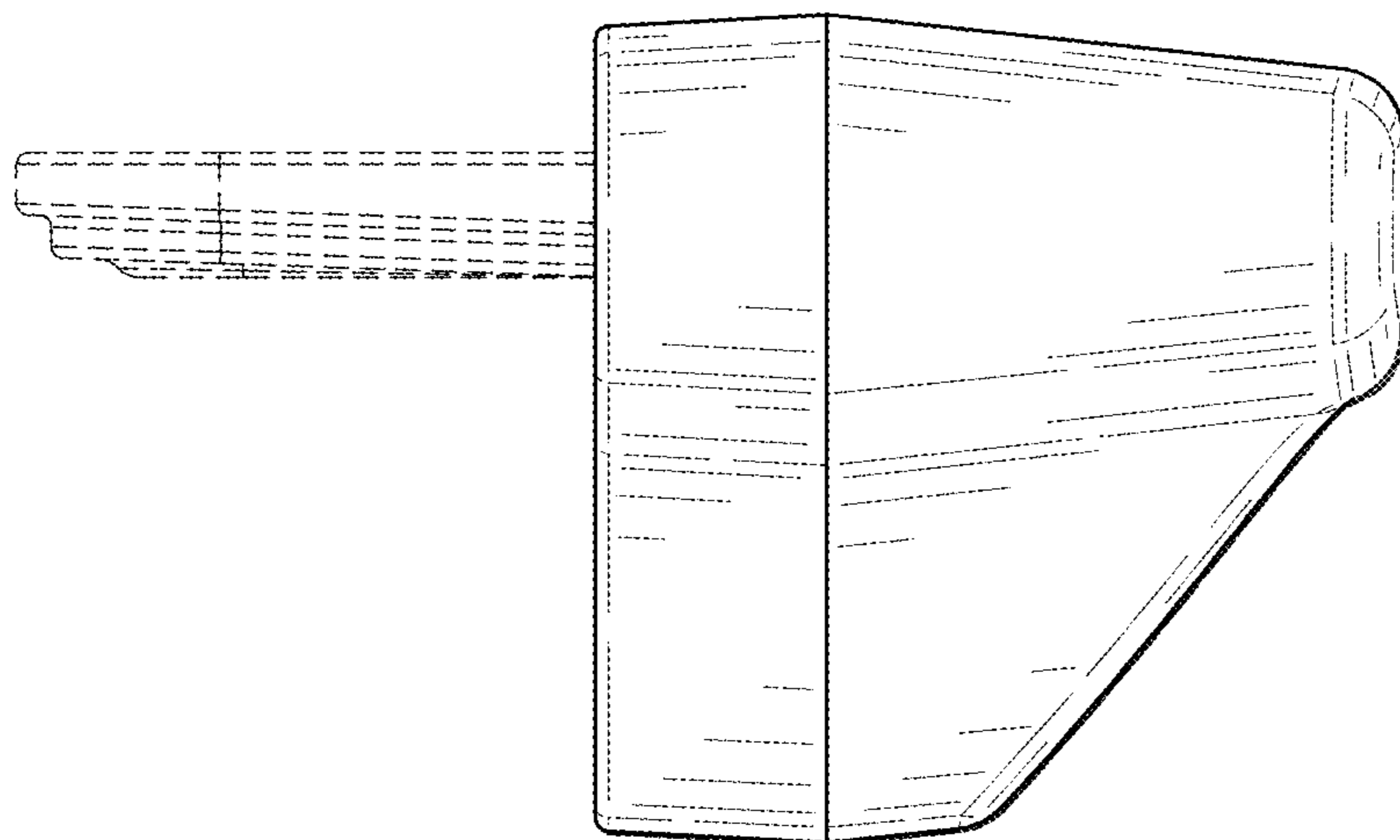


FIG. 3

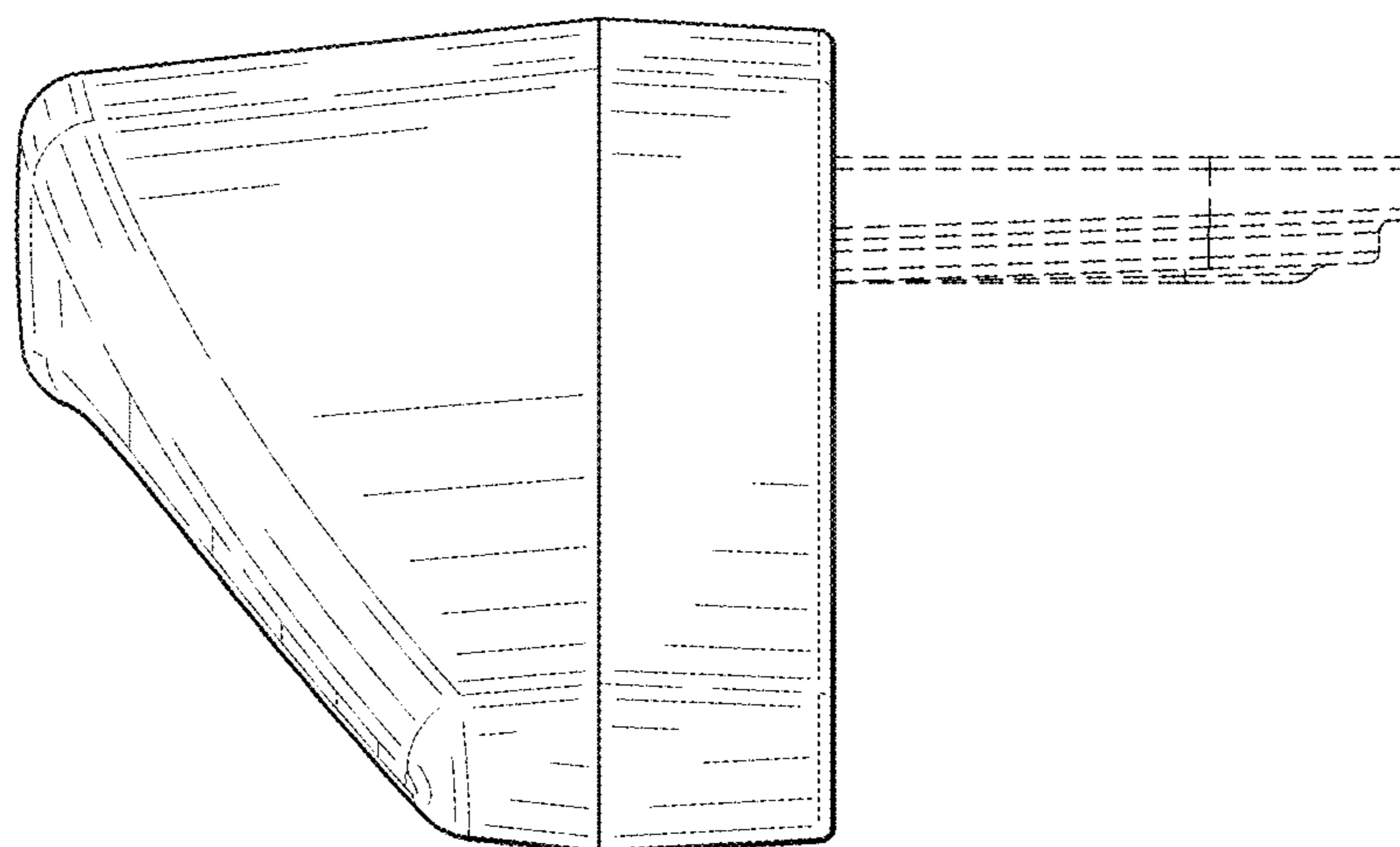


FIG. 5

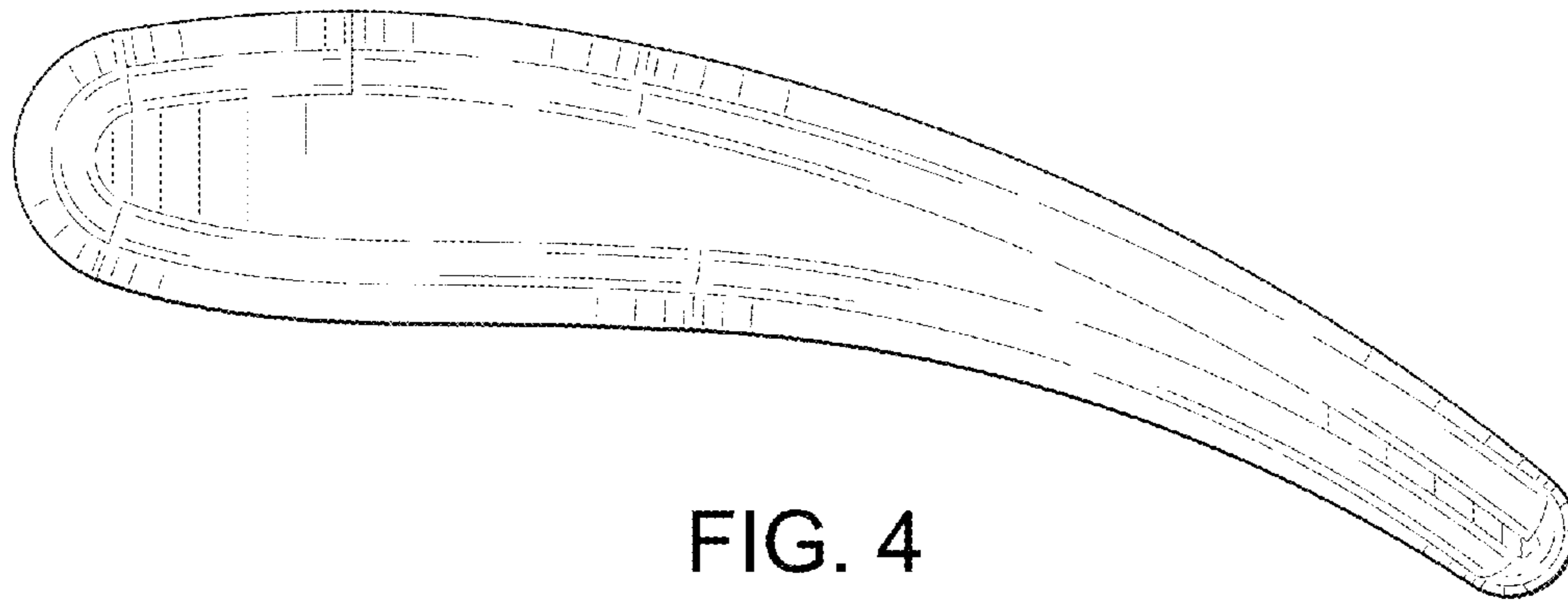


FIG. 4

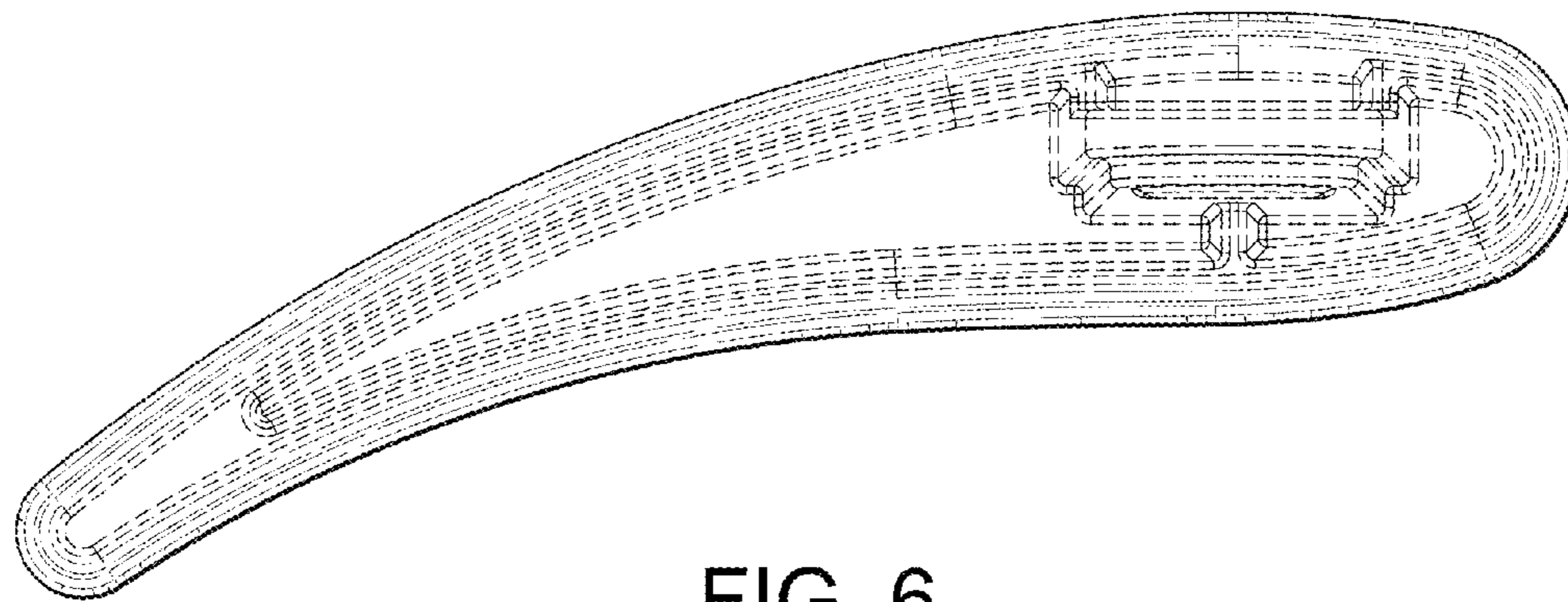


FIG. 6

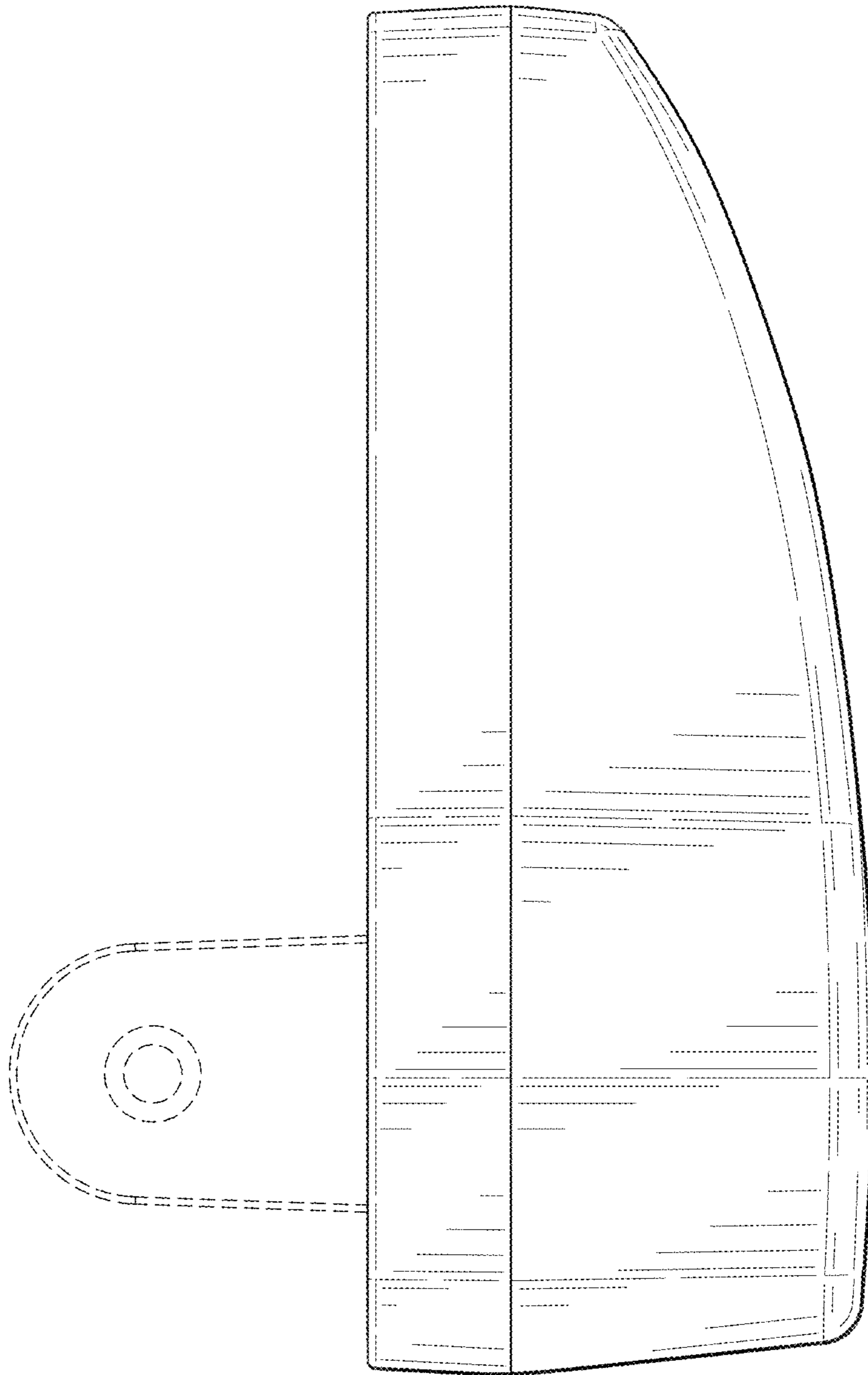


FIG. 7

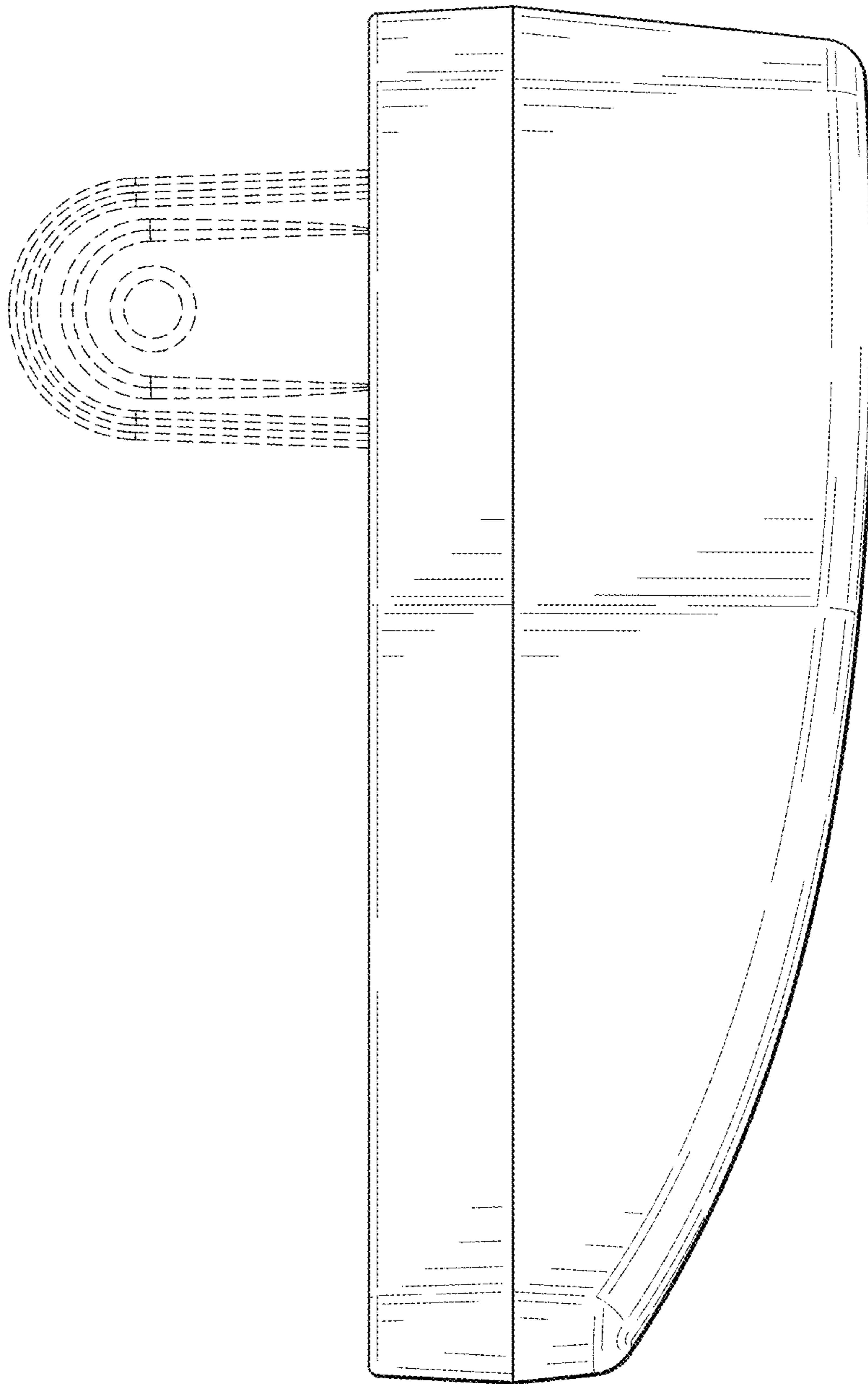


FIG. 8