



US00D717935S

(12) **United States Design Patent**
Strecker et al.

(10) **Patent No.:** **US D717,935 S**

(45) **Date of Patent:** **** Nov. 18, 2014**

(54) **CEILING FAN**

(71) Applicant: **Delta T Corporation**, Lexington, KY
(US)

(72) Inventors: **Erika Strecker**, Lexington, KY (US);
Jason Williams, Wilmore, KY (US)

(73) Assignee: **Delta T Corporation**, Lexington, KY
(US)

(**) Term: **14 Years**

(21) Appl. No.: **29/458,154**

(22) Filed: **Jun. 17, 2013**

(51) **LOC (10) Cl.** **23-04**

(52) **U.S. Cl.**
USPC **D23/377**; D26/59

(58) **Field of Classification Search**
CPC F04D 25/088; F04D 29/384; F01D 5/02
USPC D23/377, 370-376, 378-385, 411-414,
D23/386-394, 499; D12/327; D26/59, 51,
D26/63, 72-74, 79-86, 88, 90, 118; 416/5,
416/170 R, 214 R, 184, 206, 207, 210 R,
416/220 R, 244 R, 248; 392/364
See application file for complete search history.

(56) **References Cited**

U.S. PATENT DOCUMENTS

23,324	A *	3/1859	Thompson	416/210 R
145,857	A *	12/1873	Fletcher	416/210 R
671,527	A *	4/1901	Phillips	416/207
4,693,673	A *	9/1987	Nee	416/199
D323,028	S *	1/1992	Holbrook	D23/377
D346,208	S *	4/1994	Smith	D23/370
D358,898	S *	5/1995	Compton	D26/67
D377,975	S *	2/1997	Young	D23/377
D380,539	S *	7/1997	Liu	D23/377

6,250,886	B1 *	6/2001	Immell et al.	416/214 R
D453,216	S *	1/2002	Gajewski	D23/377
6,589,016	B2	7/2003	Boyd et al.		
D482,778	S *	11/2003	Shapiro	D23/412
D488,216	S *	4/2004	Kehoe et al.	D23/378
D497,447	S *	10/2004	Yoneda	D26/72

(Continued)

OTHER PUBLICATIONS

ISIS Installation Guide Big Ass Fans www.bigassfans.com © 2013
Delta T Corp. dba Big Ass Fan Co. 56 Pages.

Primary Examiner — Susan Bennett Hattan

Assistant Examiner — Marie Fast Horse

(74) *Attorney, Agent, or Firm* — King & Schickli, PLLC

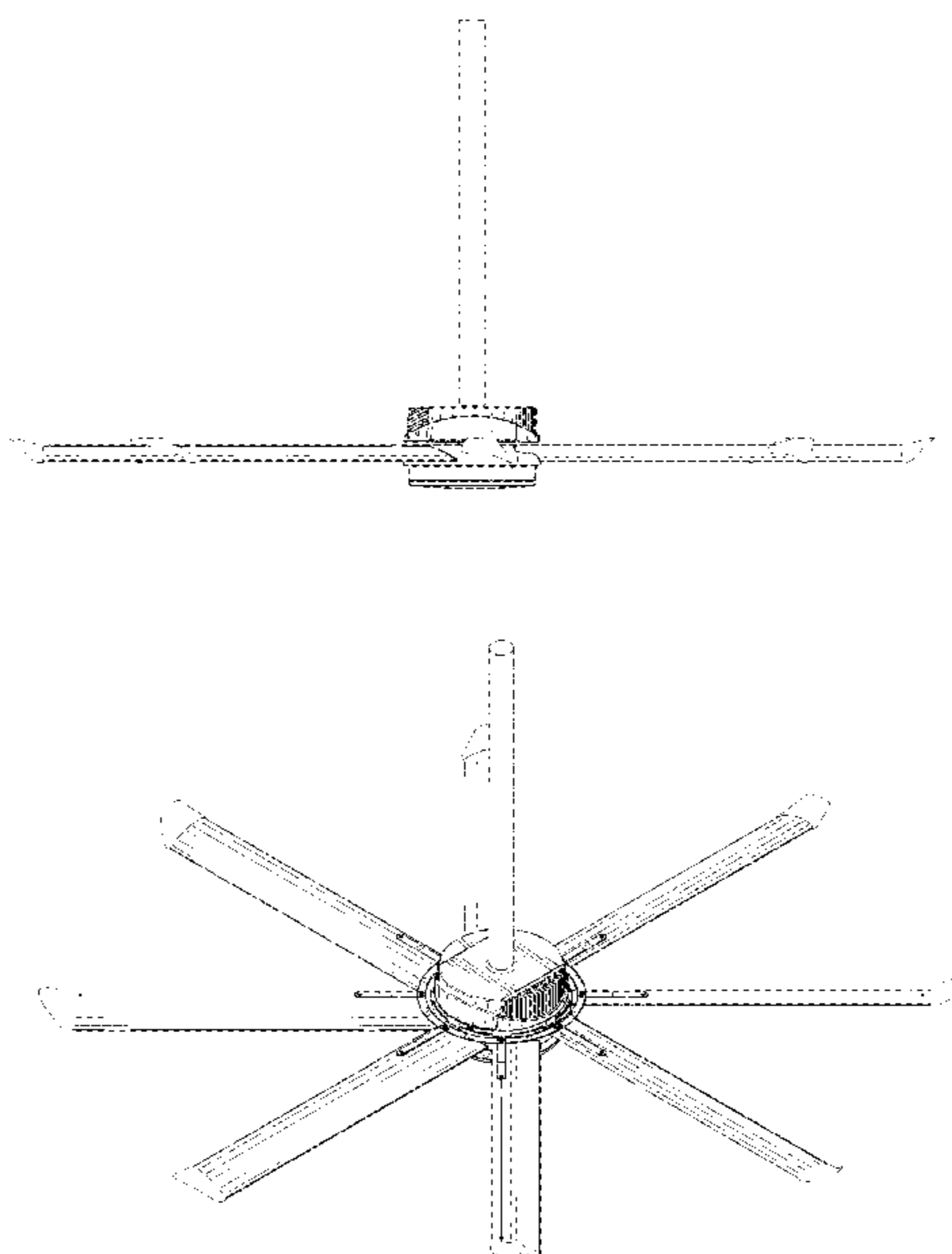
(57) **CLAIM**

The ornamental design of a combined ceiling fan and light kit,
as shown and described.

DESCRIPTION

FIG. 1 is a bottom perspective view of a combined ceiling fan and light kit showing my new design;
FIG. 2 is a rear view of the combined ceiling fan and light kit;
FIG. 3 is a right side view of the combined ceiling fan and light kit;
FIG. 4 is a front view of the combined ceiling fan and light kit;
FIG. 5 is a left side view of the combined ceiling fan and light kit;
FIG. 6 is a top view of the combined ceiling fan and light kit;
FIG. 7 is a bottom view of the combined ceiling fan and light kit; and,
FIG. 8 is a top perspective view of the combined ceiling fan and light kit.
The broken lines in the drawings depict environmental subject matter only and form no part of the claimed design.

1 Claim, 8 Drawing Sheets



(56)

References Cited

U.S. PATENT DOCUMENTS

6,817,835 B2 11/2004 Boyd et al.
 6,939,108 B2 9/2005 Boyd
 D561,324 S * 2/2008 Shirahama et al. D23/370
 D594,110 S * 6/2009 Bucher et al. D23/382
 D596,167 S * 7/2009 Fleischer et al. D14/228
 D607,988 S 1/2010 Oleson et al.
 D627,874 S * 11/2010 Pan D23/411
 D629,096 S * 12/2010 Borovicka et al. D23/411
 D635,237 S 3/2011 Fizer
 D641,075 S 7/2011 Fizer et al.
 D642,720 S * 8/2011 You D26/63
 8,066,480 B2 * 11/2011 Madsen 416/38
 8,147,182 B2 4/2012 Aynsley et al.

D660,952 S * 5/2012 Spaggiari D23/370
 D663,829 S * 7/2012 Allen et al. D23/377
 D671,252 S * 11/2012 You D26/63
 D681,259 S * 4/2013 Kong D26/113
 8,529,212 B2 9/2013 Smith et al.
 D692,119 S * 10/2013 Rasmussen D23/379
 D698,914 S * 2/2014 Love et al. D23/377
 2009/0081045 A1 * 3/2009 Scherer et al. 416/214 R
 2009/0162197 A1 6/2009 Klemo et al.
 2010/0104461 A1 * 4/2010 Smith et al. 417/423.1
 2011/0262278 A1 * 10/2011 Fizer et al. 416/220 R
 2012/0177509 A1 7/2012 Aynsley et al.
 2013/0315742 A1 * 11/2013 Alves 416/206
 2013/0336790 A1 * 12/2013 Wortman et al. 416/170 R
 2014/0023507 A1 * 1/2014 Smith et al. 416/204 R
 2014/0072431 A1 * 3/2014 Smith et al. 416/170 R

* cited by examiner

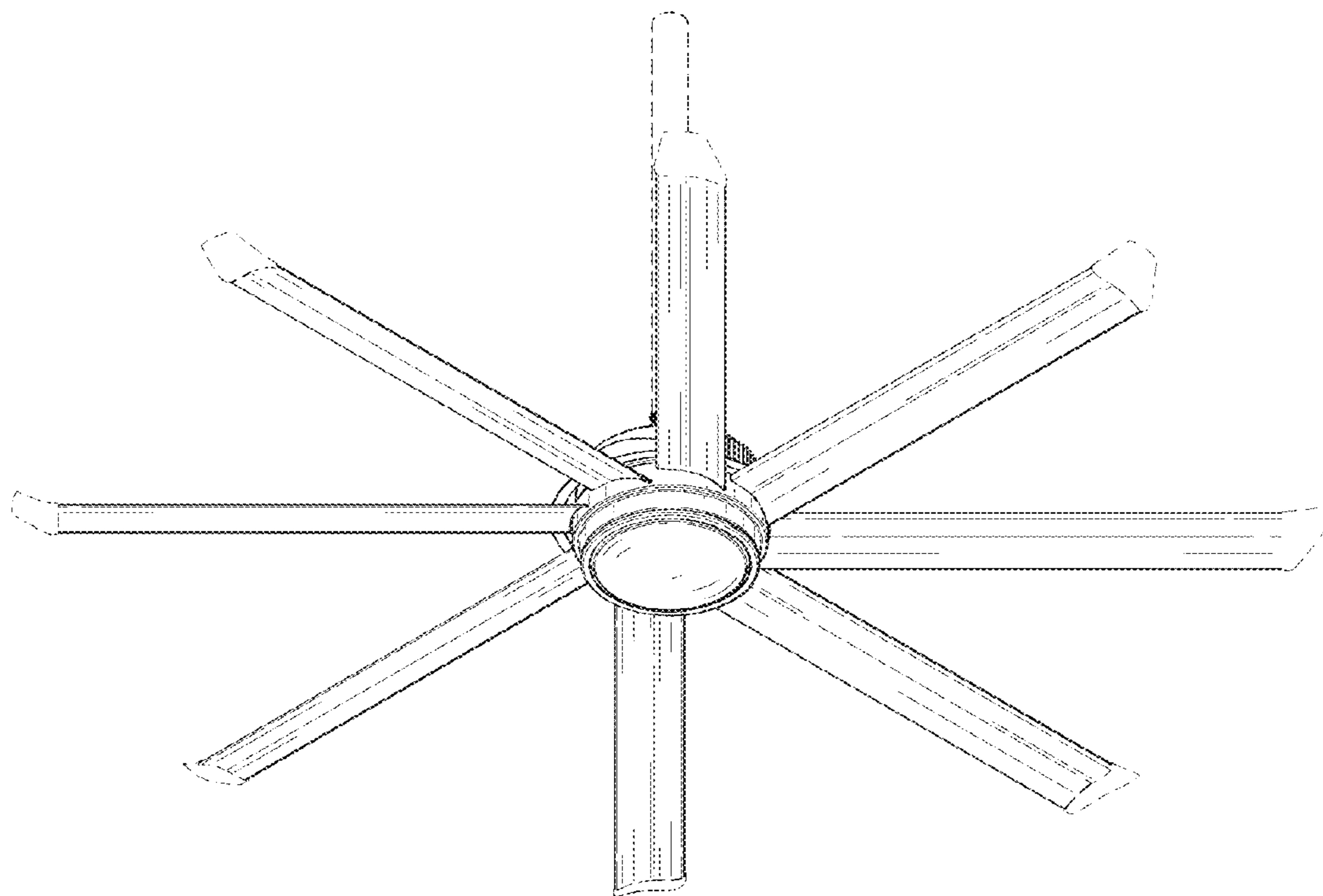


FIG. 1

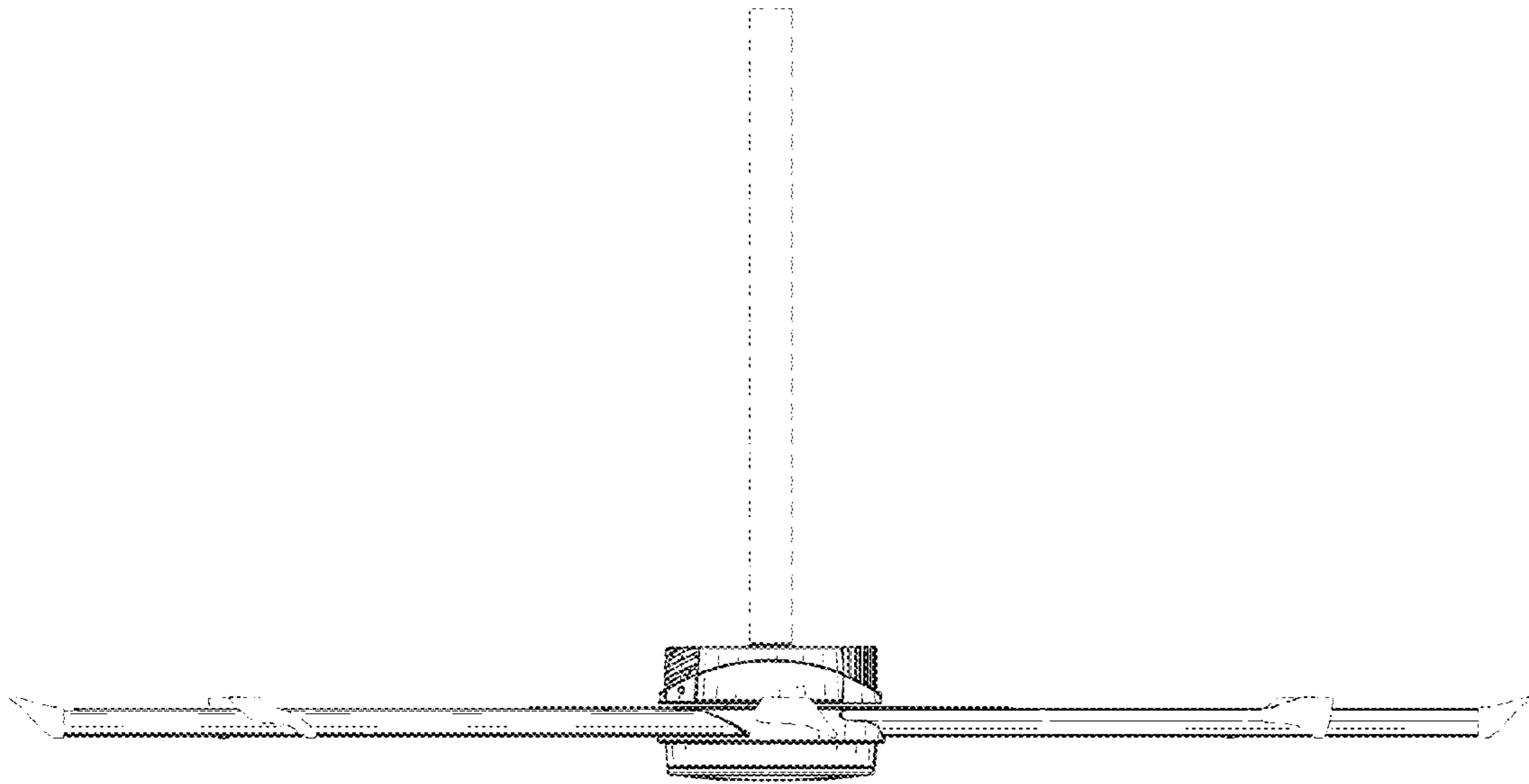


FIG. 2

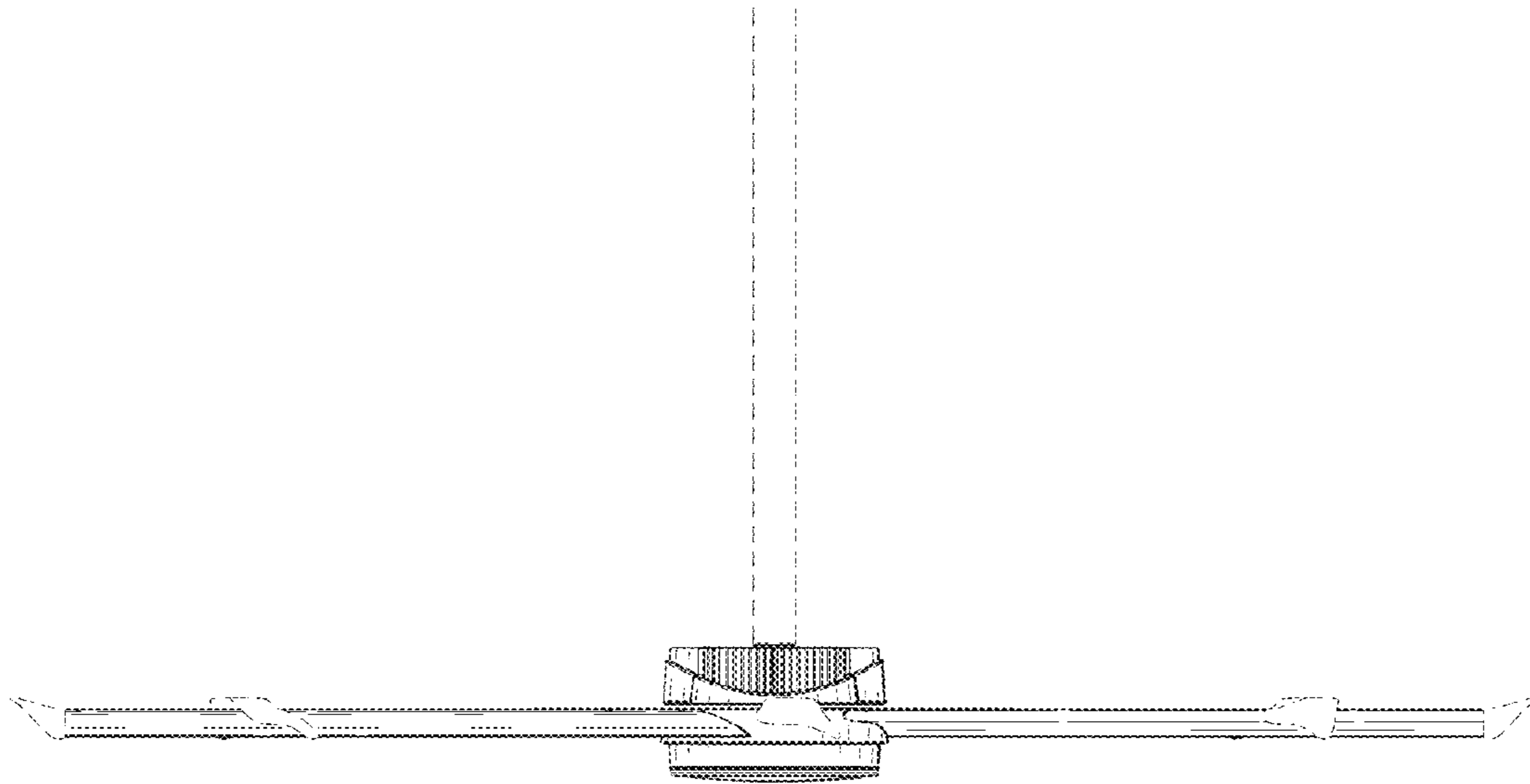


FIG. 3

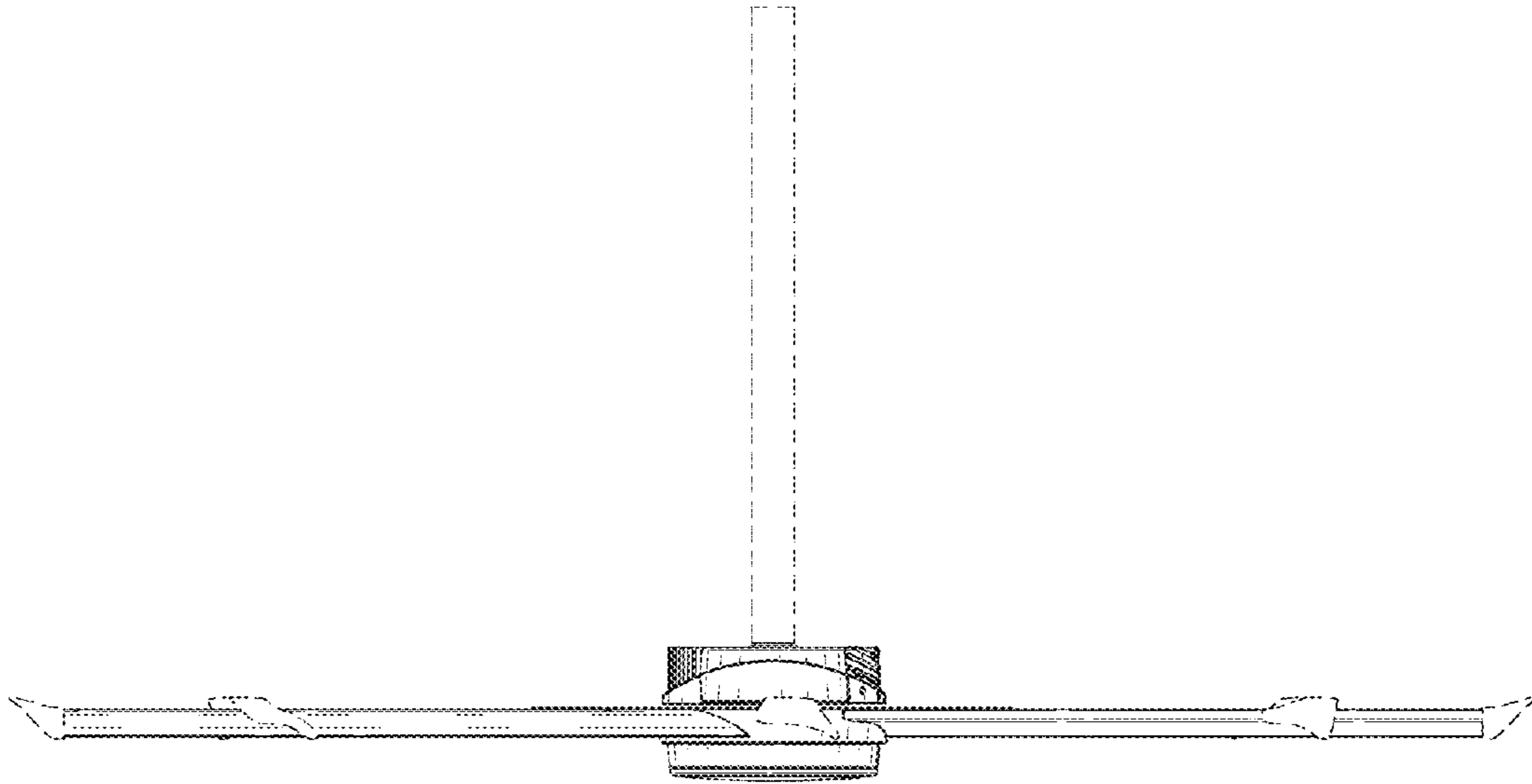


FIG. 4

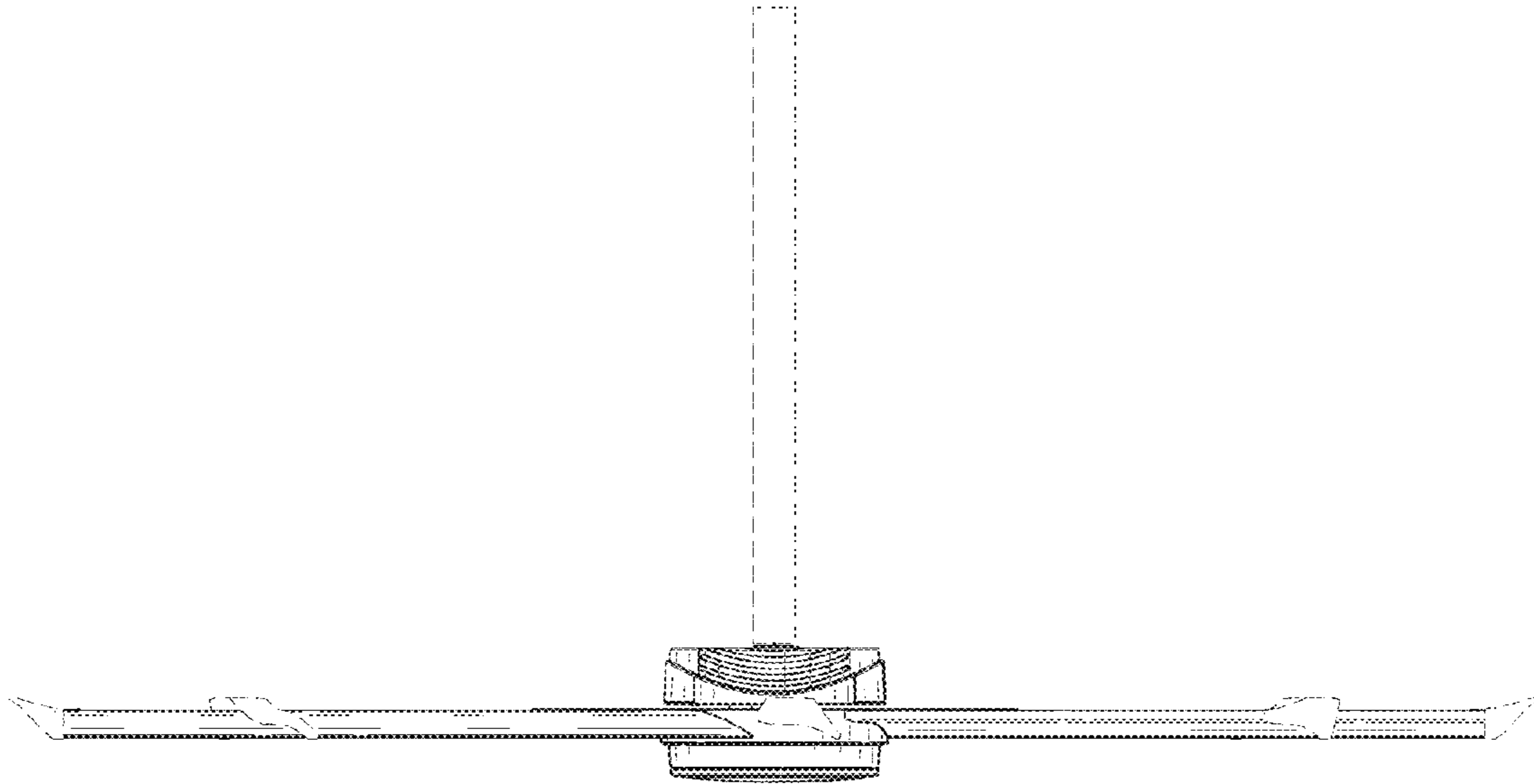


FIG. 5

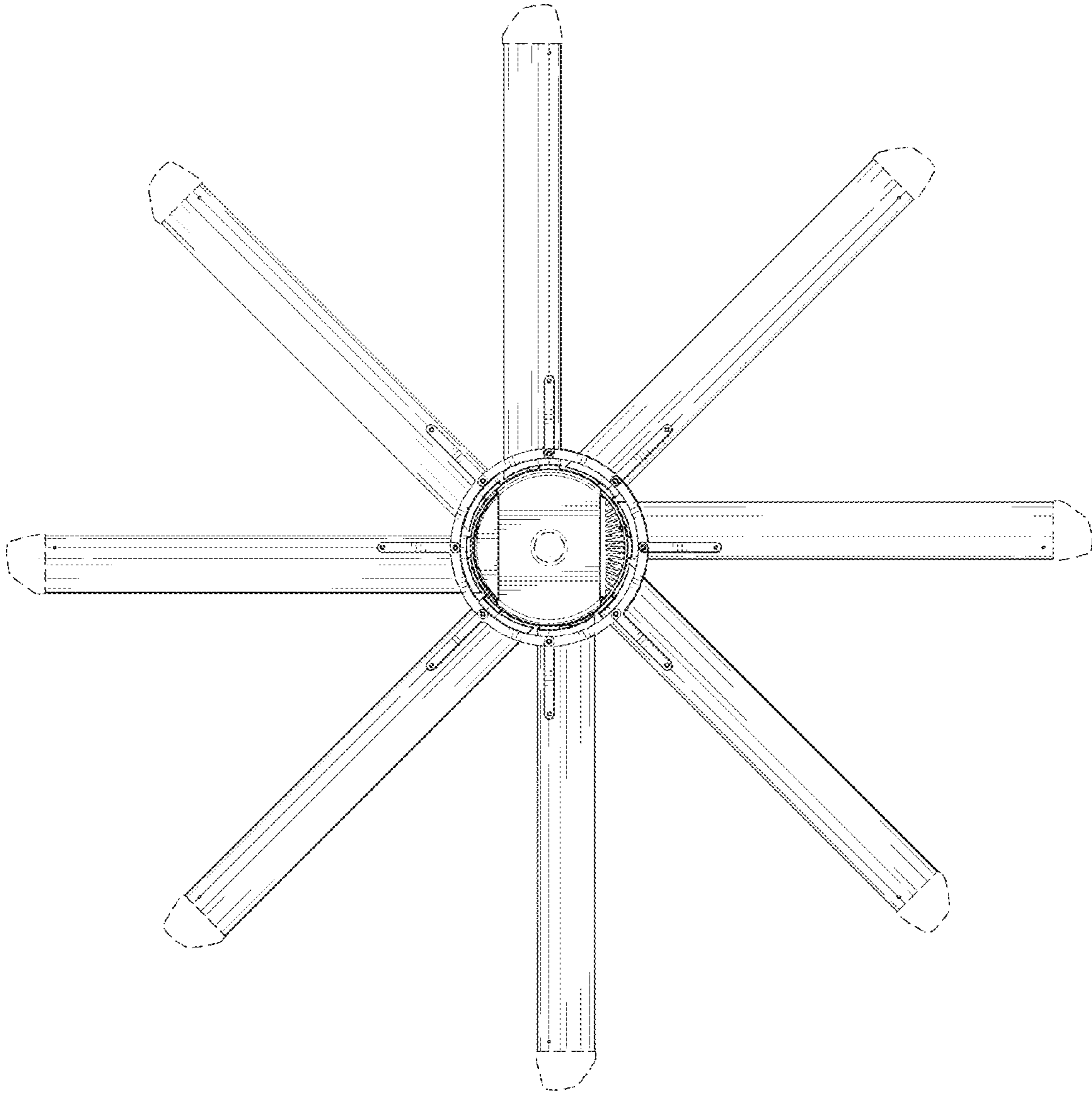


FIG. 6

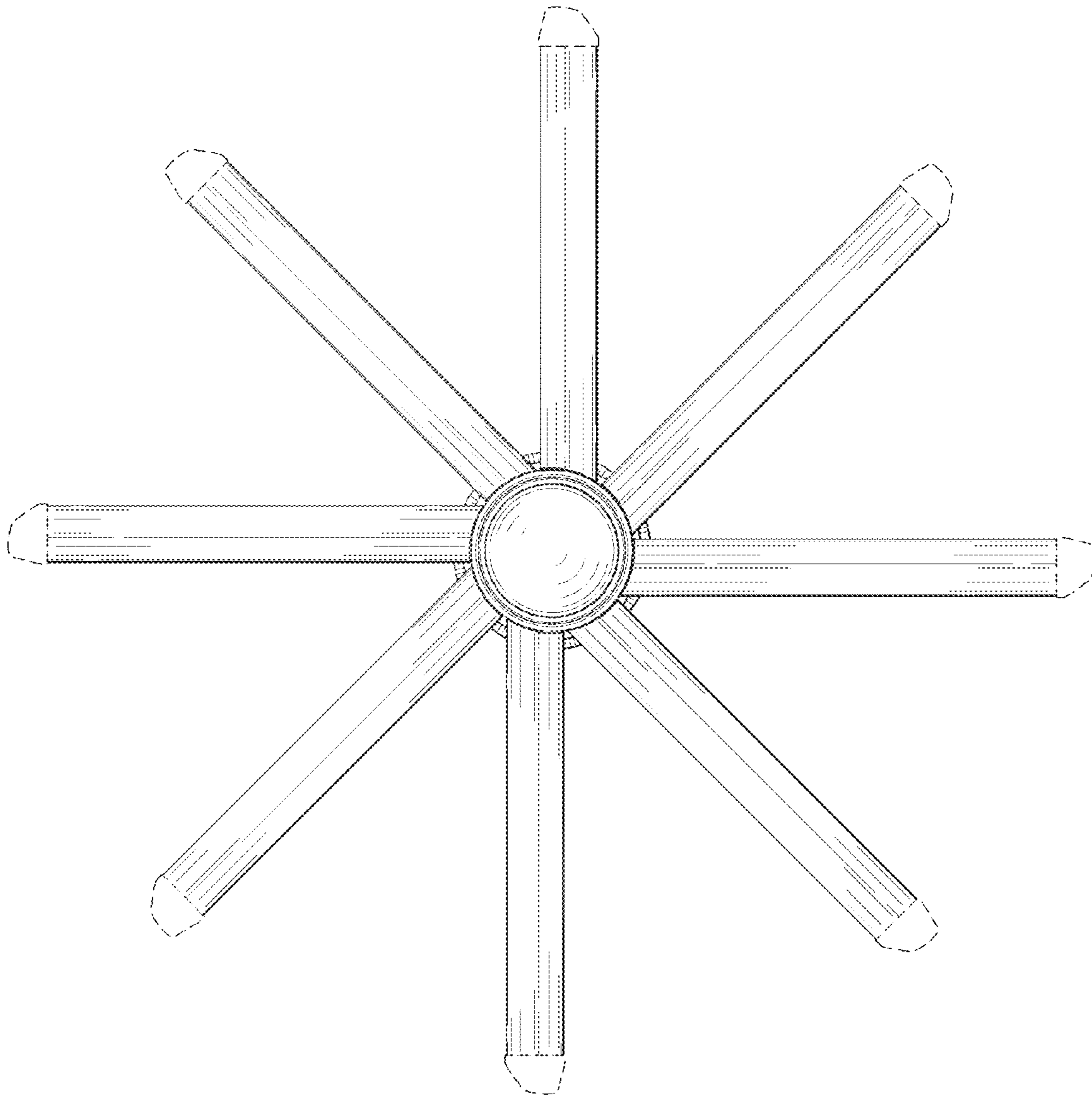


FIG. 7

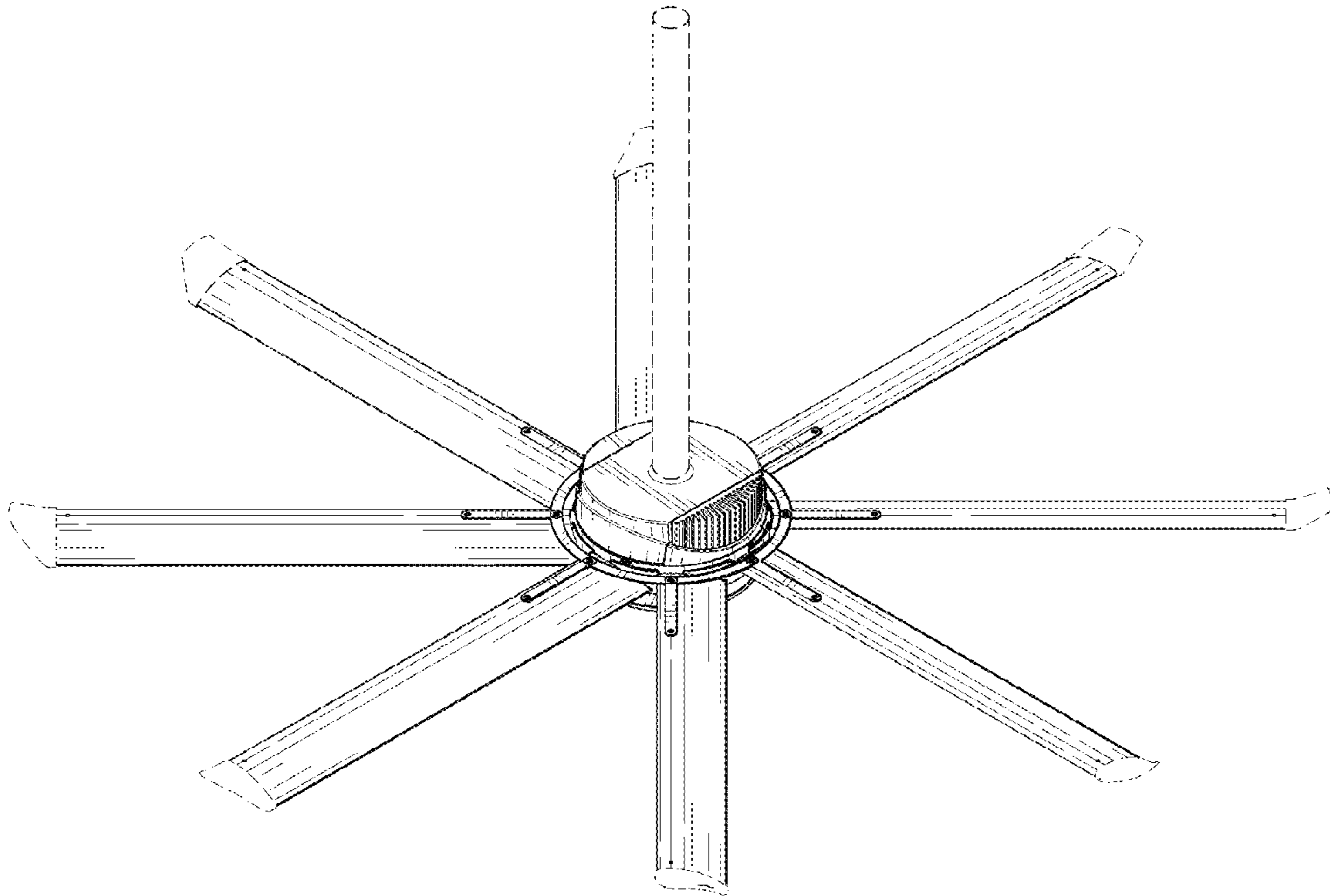


FIG. 8