

US00D717933S

(12) **United States Design Patent**
McClelland et al.

(10) **Patent No.:** **US D717,933 S**

(45) **Date of Patent:** **** Nov. 18, 2014**

(54) **INTEGRATED FILTER AND AIRBOX**

(56)

References Cited

(71) Applicants: **Kevin McClelland**, Rancho Cucamonga, CA (US); **Steve Williams**, Beaumont, CA (US); **Colin Arthur Cranstone**, Palm Springs, CA (US)

(72) Inventors: **Kevin McClelland**, Rancho Cucamonga, CA (US); **Steve Williams**, Beaumont, CA (US); **Colin Arthur Cranstone**, Palm Springs, CA (US)

(73) Assignee: **K&N Engineering, Inc.**, Riverside, CA (US)

(**) Term: **14 Years**

(21) Appl. No.: **29/482,230**

(22) Filed: **Feb. 16, 2014**

(51) **LOC (10) Cl.** **23-04**

(52) **U.S. Cl.**
USPC **D23/365**

(58) **Field of Classification Search**
USPC D23/365, 209, 363, 358, 386, 354, 341, D23/364; 55/385.3, 502, 497, 506, 505, 55/521, 495, 422, 493, DIG. 30, 336, 337, 55/498, 484, 485; 210/435, 130, 136, 248, 210/339, 448, 452, 497.1; 454/155, 156, 454/158; 95/268, 286, 287; D32/31; D15/5

See application file for complete search history.

U.S. PATENT DOCUMENTS

5,302,153	A *	4/1994	Winters	454/158
5,730,766	A *	3/1998	Clements	55/502
D418,592	S *	1/2000	DePietro et al.	D23/364
D425,270	S *	5/2000	Zahuranec	D32/30
D445,974	S *	7/2001	Stratford	D32/30
D501,442	S *	2/2005	Hutchinson	D12/345
7,135,051	B2 *	11/2006	Baldinger et al.	55/337
7,854,901	B2 *	12/2010	Pan	454/156
D642,592	S *	8/2011	Sands	D15/5
D642,593	S *	8/2011	Finnie	D15/5
8,048,206	B2 *	11/2011	Schmitt et al.	55/482
D690,408	S *	9/2013	Williams et al.	D23/365
D697,191	S *	1/2014	Williams et al.	D23/365

* cited by examiner

Primary Examiner — David Muller

(74) *Attorney, Agent, or Firm* — Rutan & Tucker LLP; Hani Z. Sayed

(57)

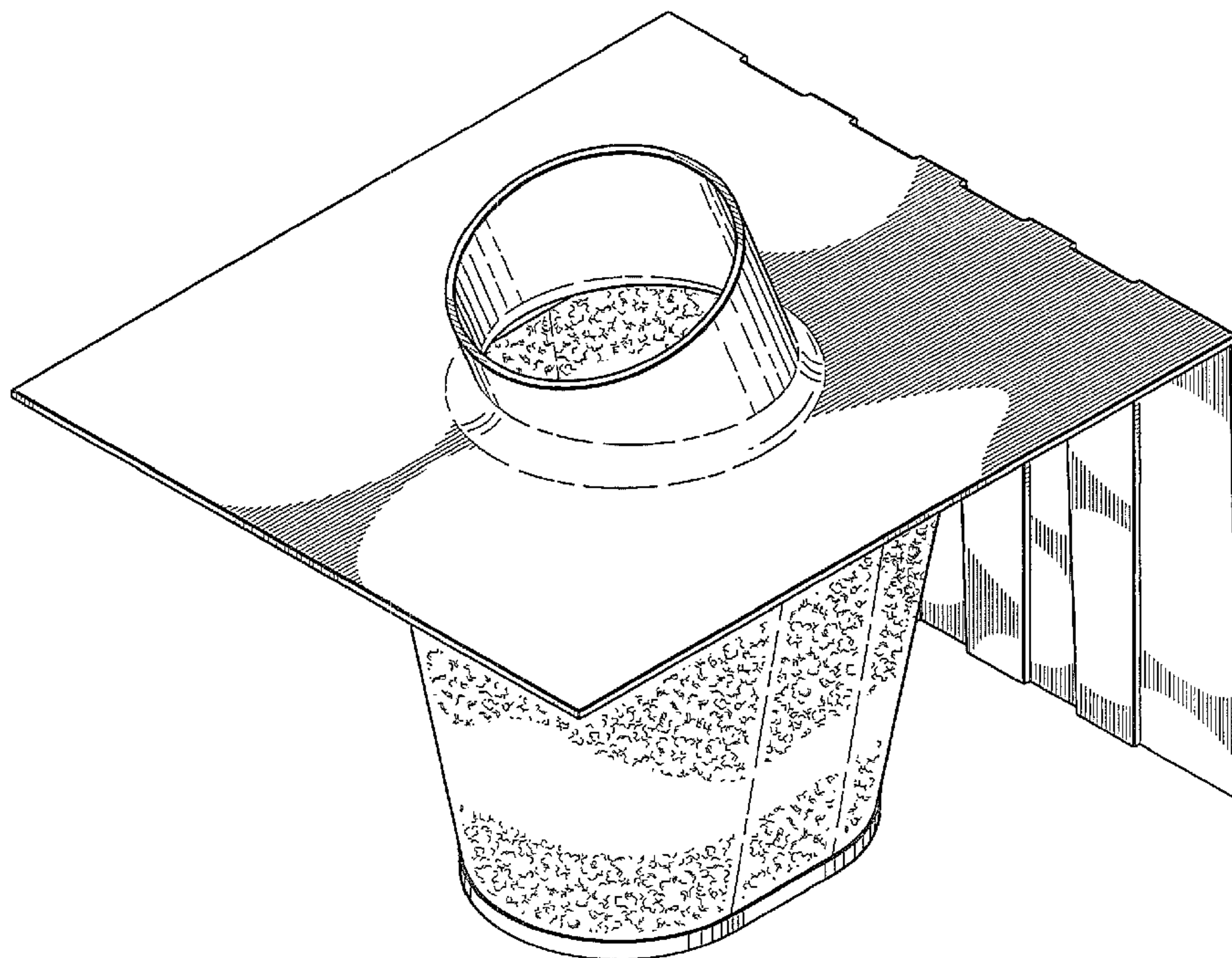
CLAIM

The ornamental design for integrated filter and airbox, as shown and described.

DESCRIPTION

FIG. 1 is a top, front, left side perspective view in an exemplary embodiment of the integrated filter and airbox present invention;
FIG. 2 is a bottom, rear, right side perspective view;
FIG. 3 is a front elevation view (the rear elevation is a mirror image);
FIG. 4 is a right side elevation view;
FIG. 5 is left side elevation view;
FIG. 6 is top plan view; and,
FIG. 7 is a bottom plan view.

1 Claim, 5 Drawing Sheets



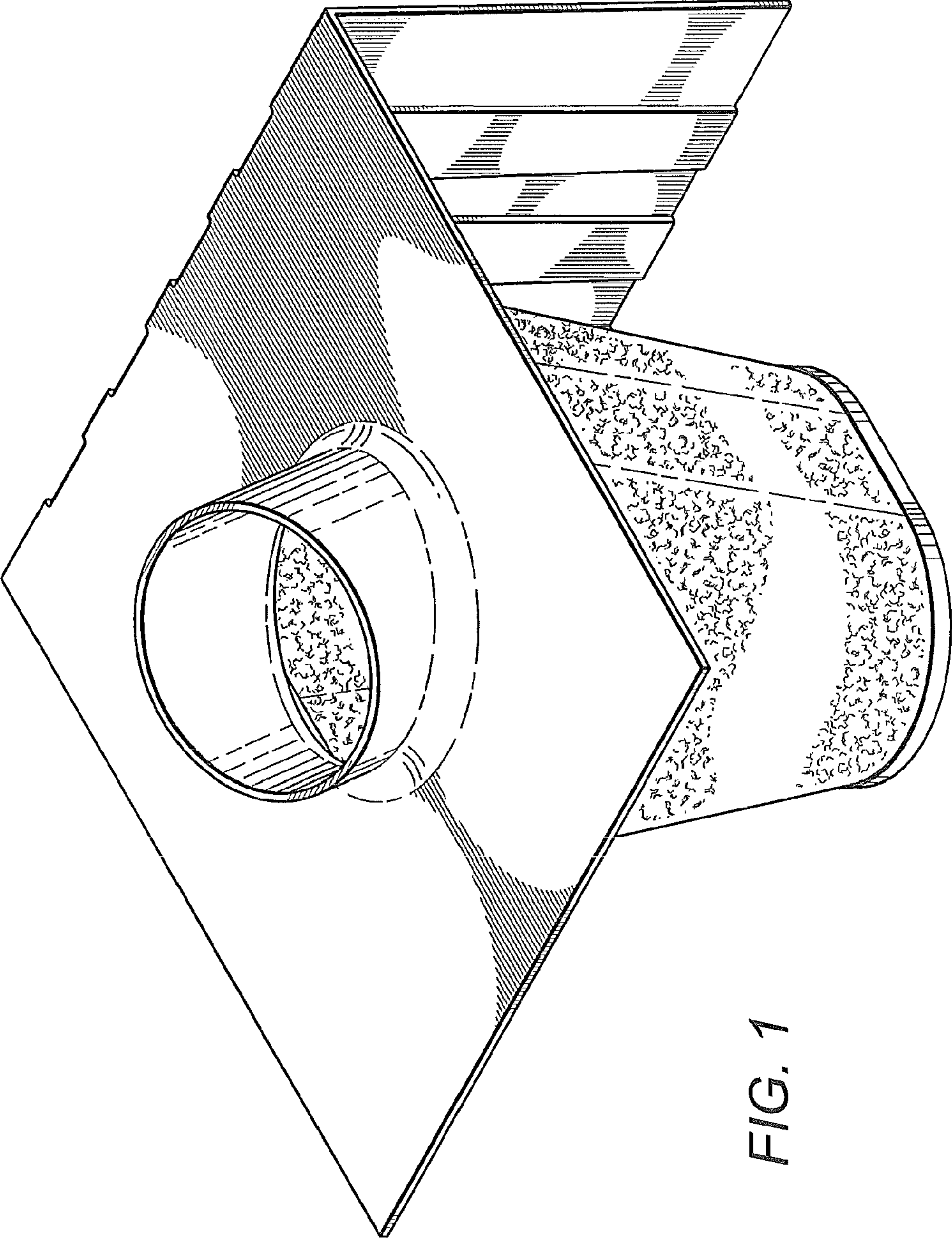


FIG. 1

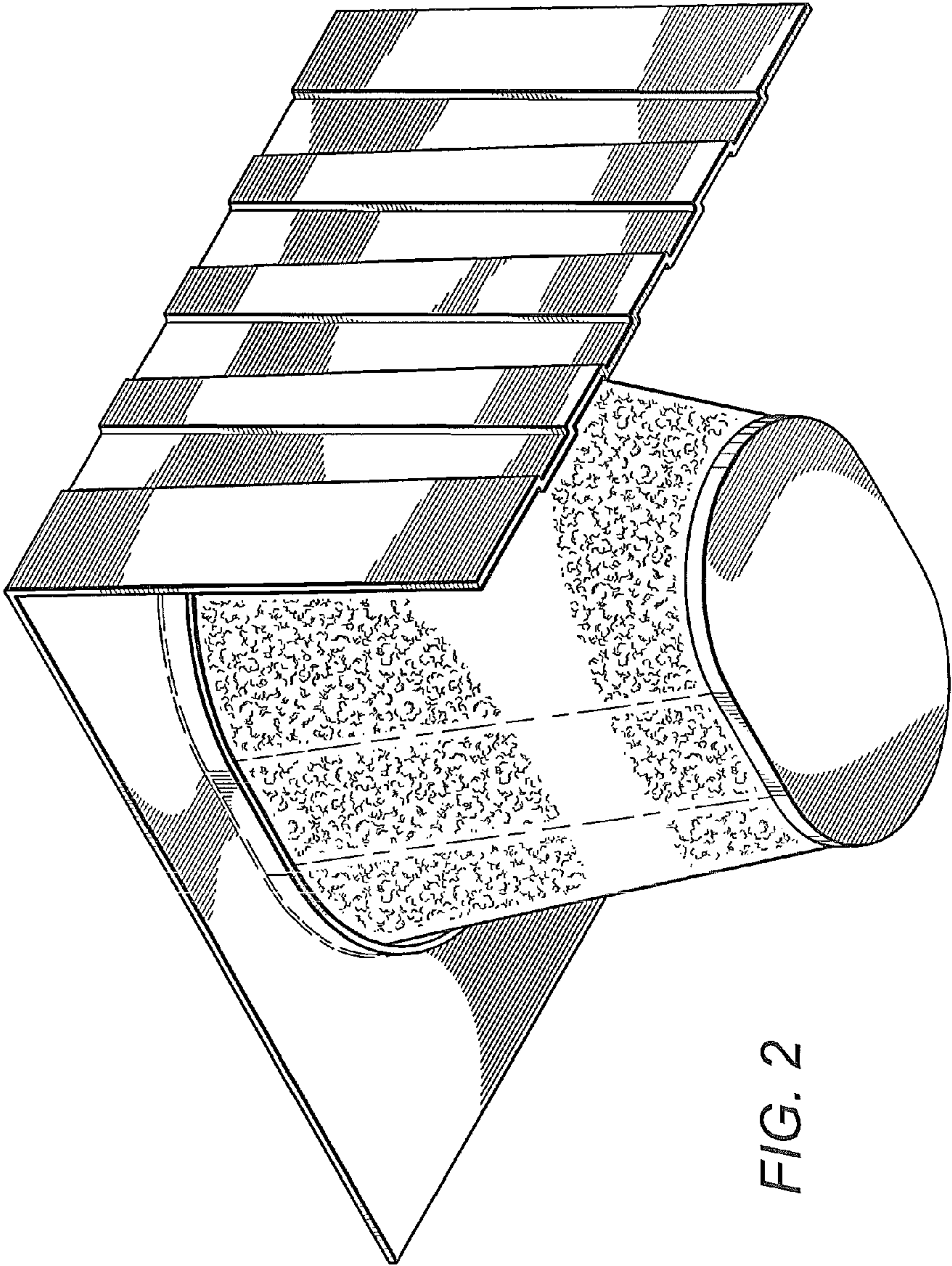


FIG. 2

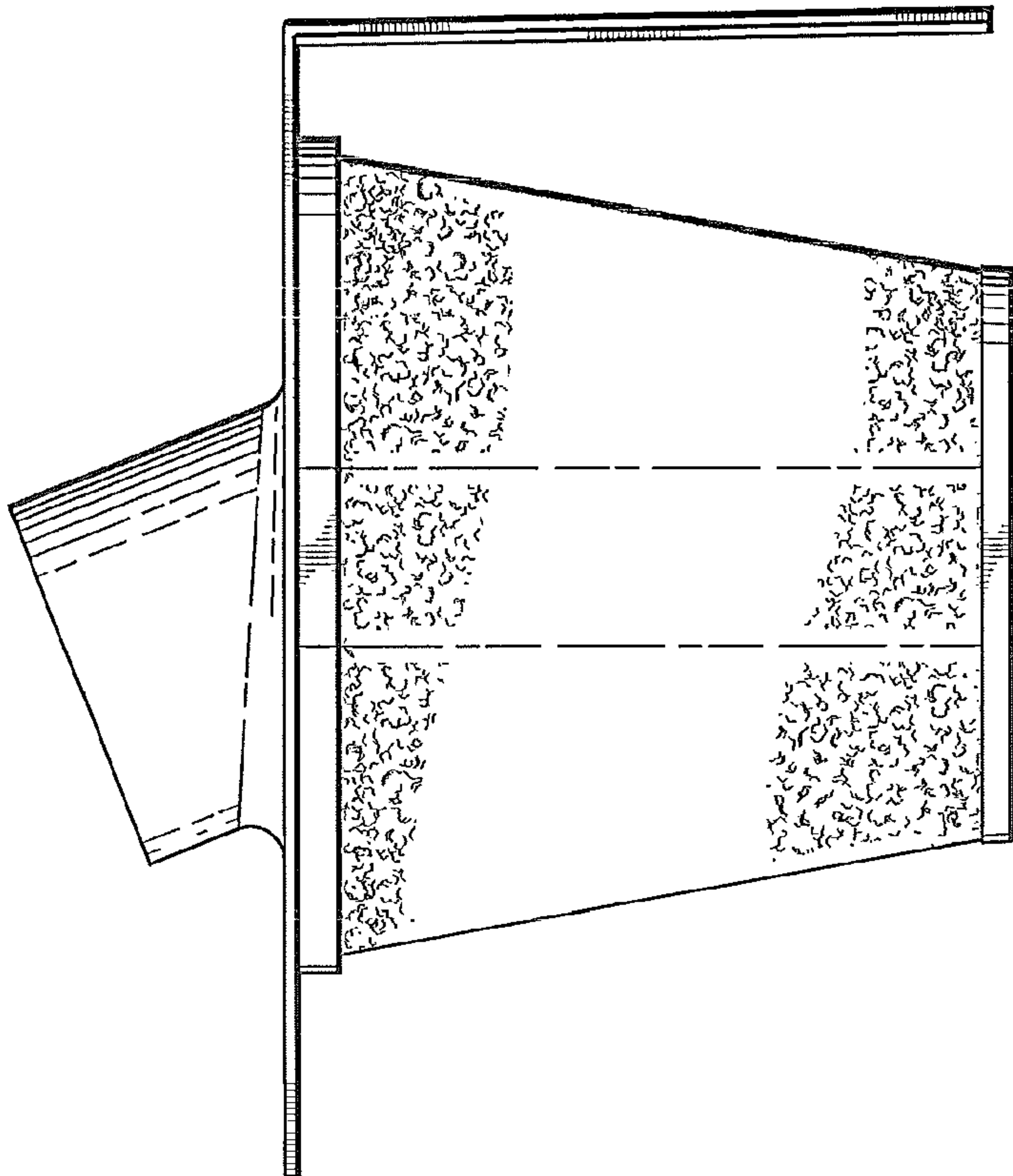


FIG. 3

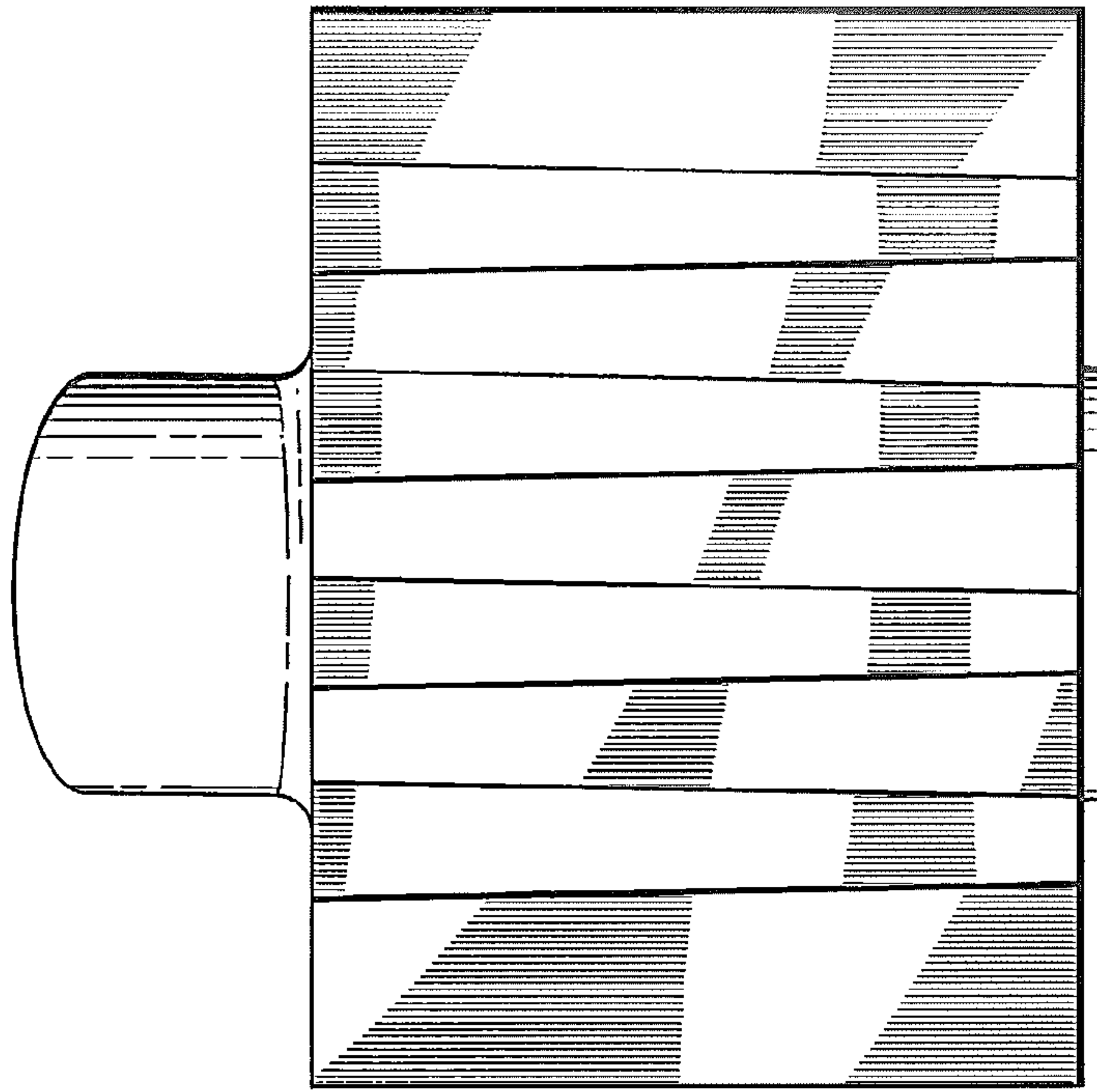


FIG. 4

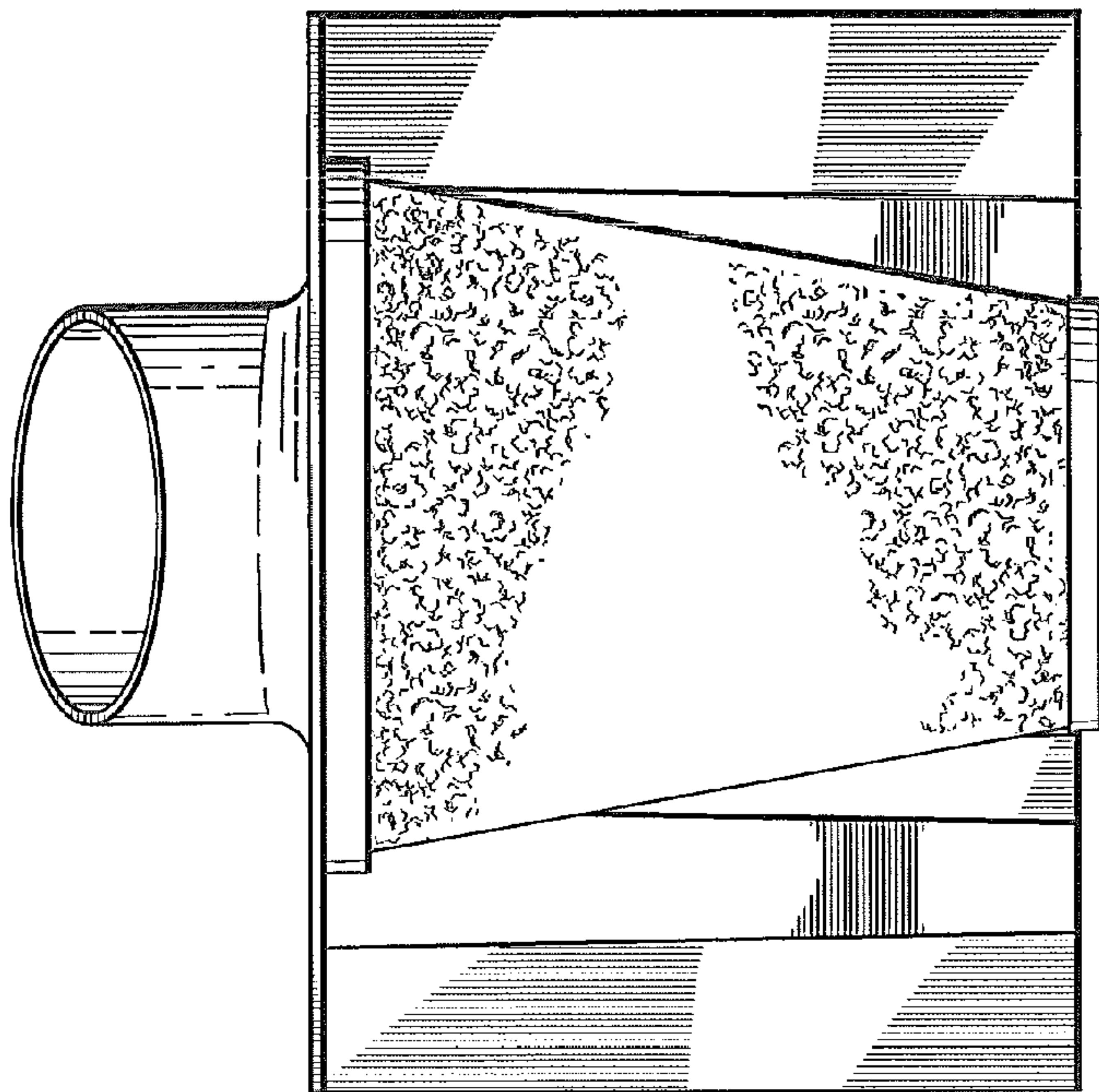


FIG. 5

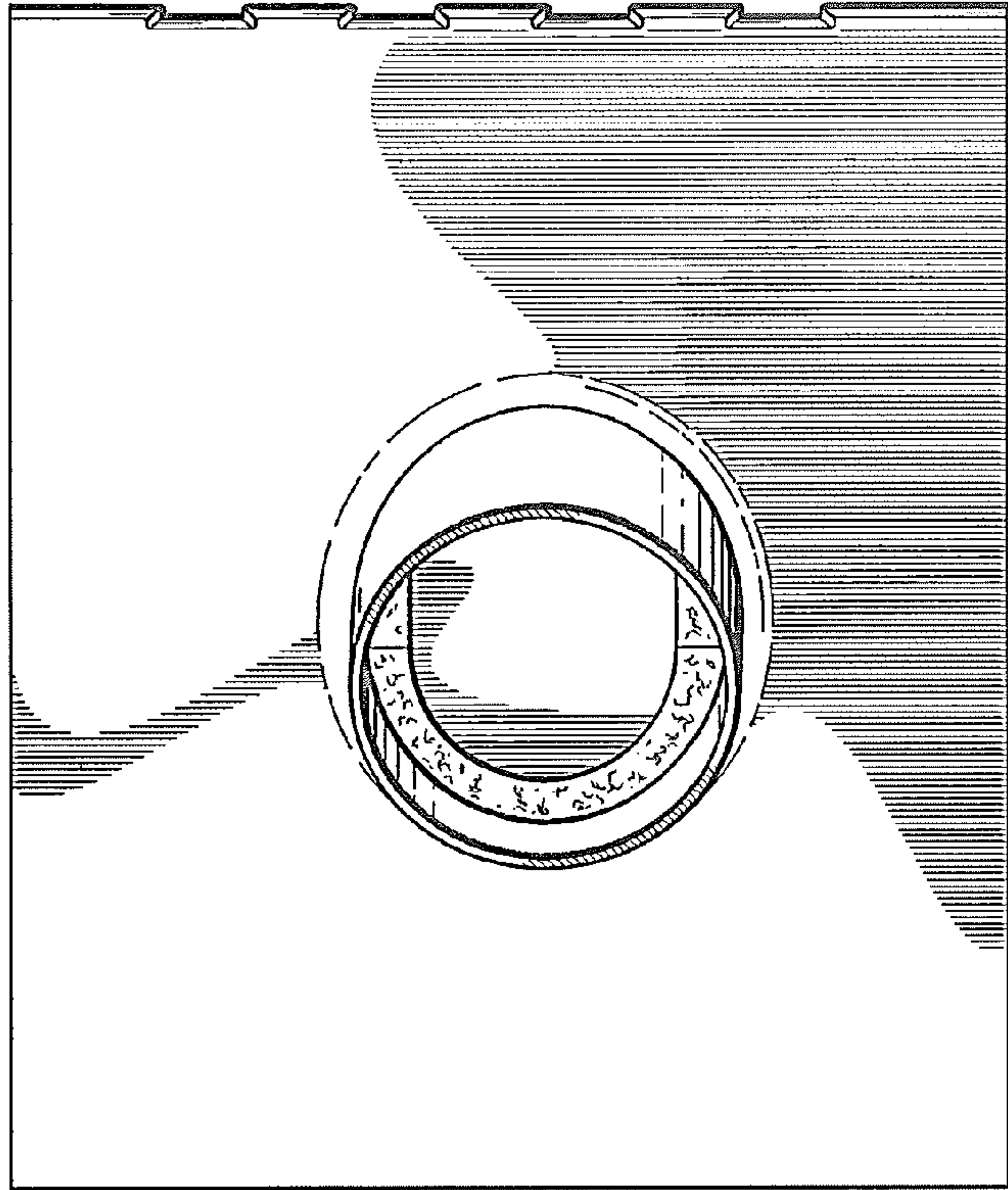


FIG. 6

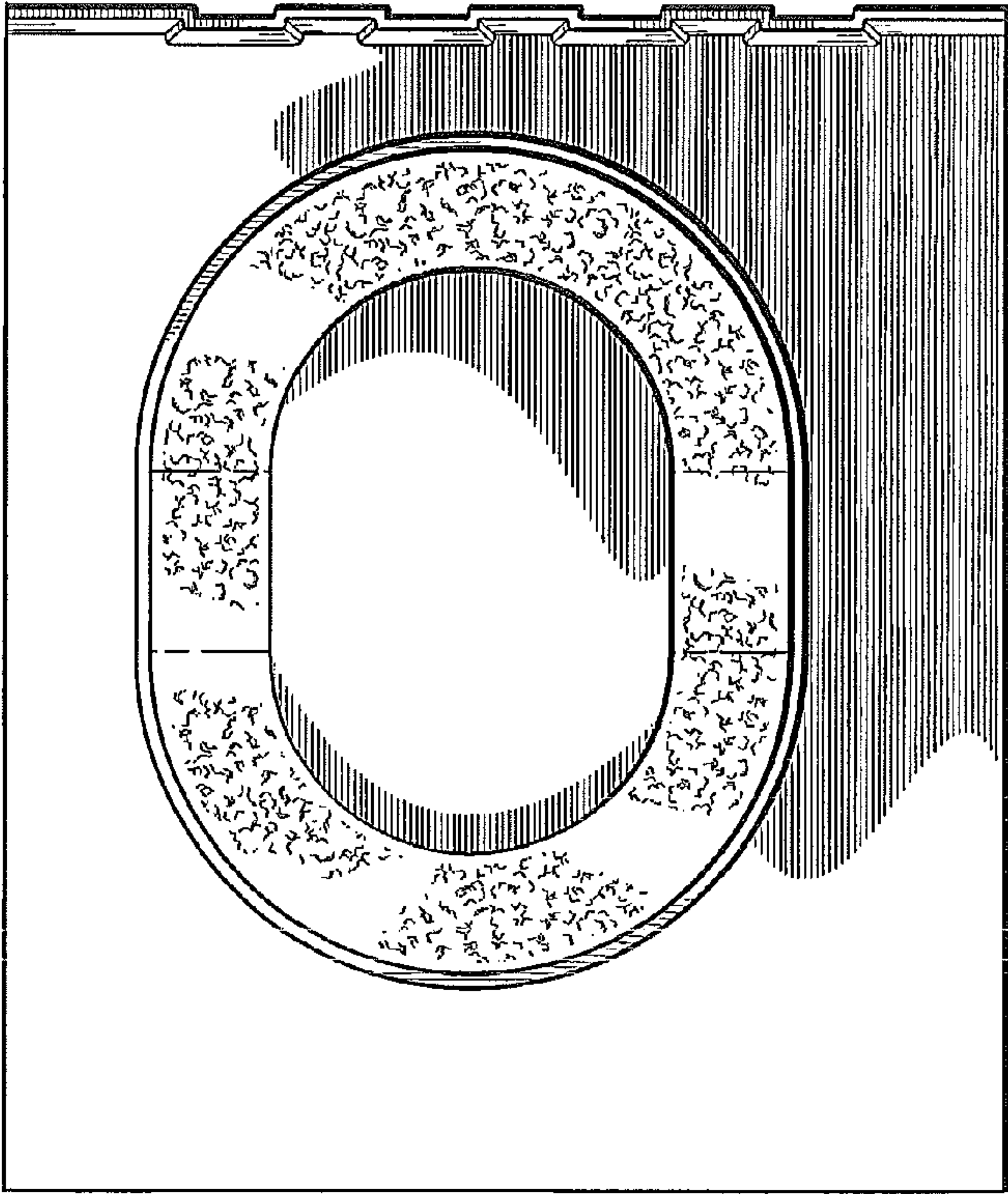


FIG. 7