



US00D717931S

(12) **United States Design Patent**  
**Ehlert et al.**

(10) **Patent No.:** **US D717,931 S**  
(45) **Date of Patent:** **\*\* Nov. 18, 2014**

(54) **HEATER HOUSING**

(71) Applicant: **TSI Products, Inc.**, Arlington, TX (US)

(72) Inventors: **John H. Ehlert**, Dallas, TX (US);  
**Stephen William O'Brien**, Fort Worth, TX (US)

(73) Assignee: **TSI Products, Inc.**, Arlington, TX (US)

(\*\*) Term: **14 Years**

(21) Appl. No.: **29/489,799**

(22) Filed: **May 2, 2014**

(51) **LOC (10) Cl.** ..... **23-03**

(52) **U.S. Cl.**  
USPC ..... **D23/314**

(58) **Field of Classification Search**  
USPC ..... D23/317, 314, 332, 333, 334, 335, 337,  
D23/342, 351, 355, 378, 370, 381, 364, 336,  
D23/341; 416/244 R, 247 R, 53.1-53.3;  
392/365, 367

See application file for complete search history.

(56) **References Cited**

U.S. PATENT DOCUMENTS

D530,002 S \* 10/2006 Ching ..... D23/317

\* cited by examiner

*Primary Examiner* — T. Chase Nelson

*Assistant Examiner* — Ania Aman

(74) *Attorney, Agent, or Firm* — Hitchcock Evert LLP

(57) **CLAIM**

The ornamental design for a heater housing, as shown and described.

**DESCRIPTION**

FIG. 1 is a perspective view from the top-right of the heater housing;

FIG. 2 is a back view thereof;

FIG. 3 is a front view thereof;

FIG. 4 is a left side view thereof;

FIG. 5 is a right side view thereof;

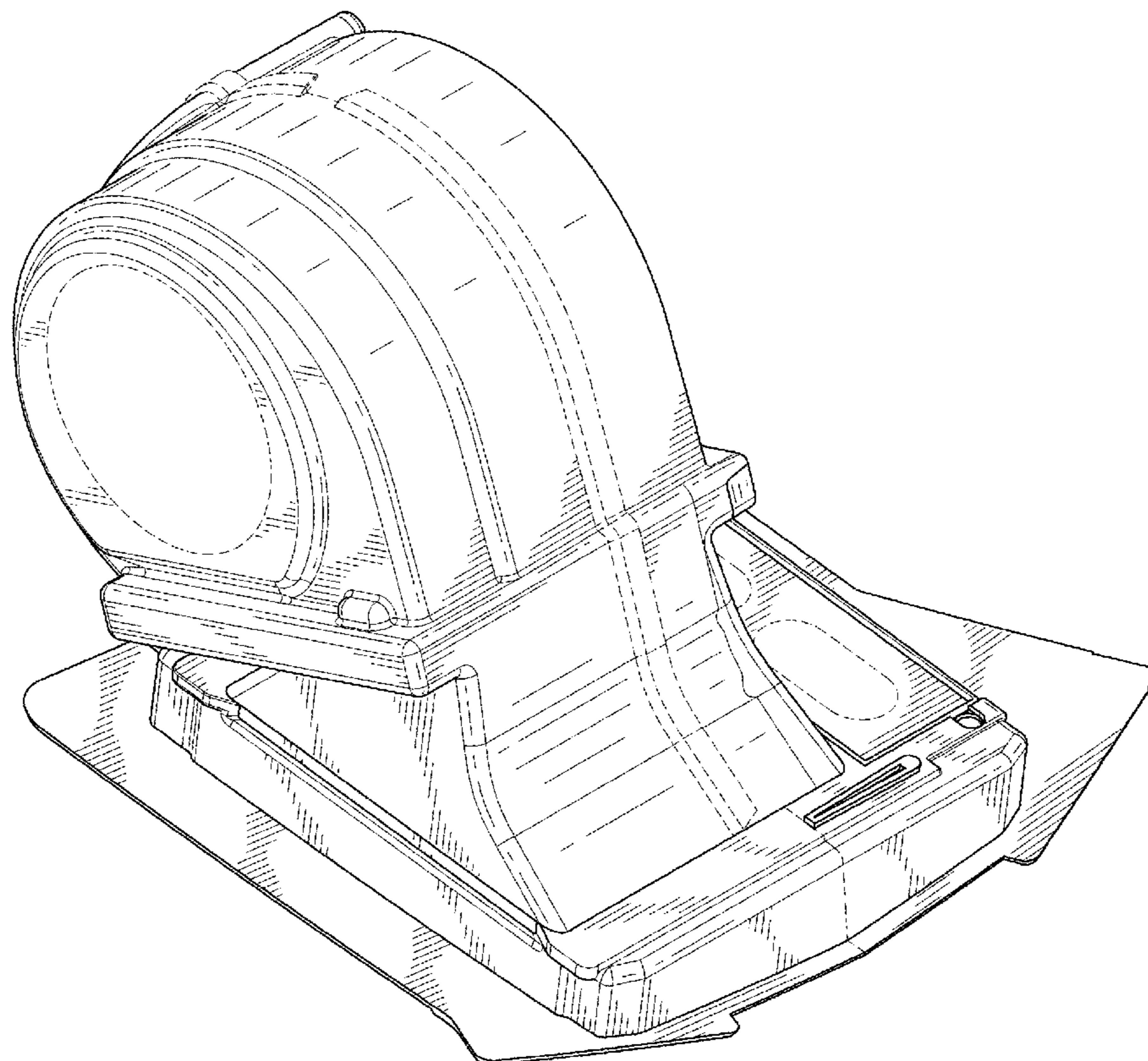
FIG. 6 is a top view thereof; and

FIG. 7 is a bottom view thereof; and,

FIG. 8 is a perspective view from the top-left thereof.

The broken lines shown in the drawings are for the purpose of illustrating portions of the article that form no part of the claimed design.

**1 Claim, 8 Drawing Sheets**



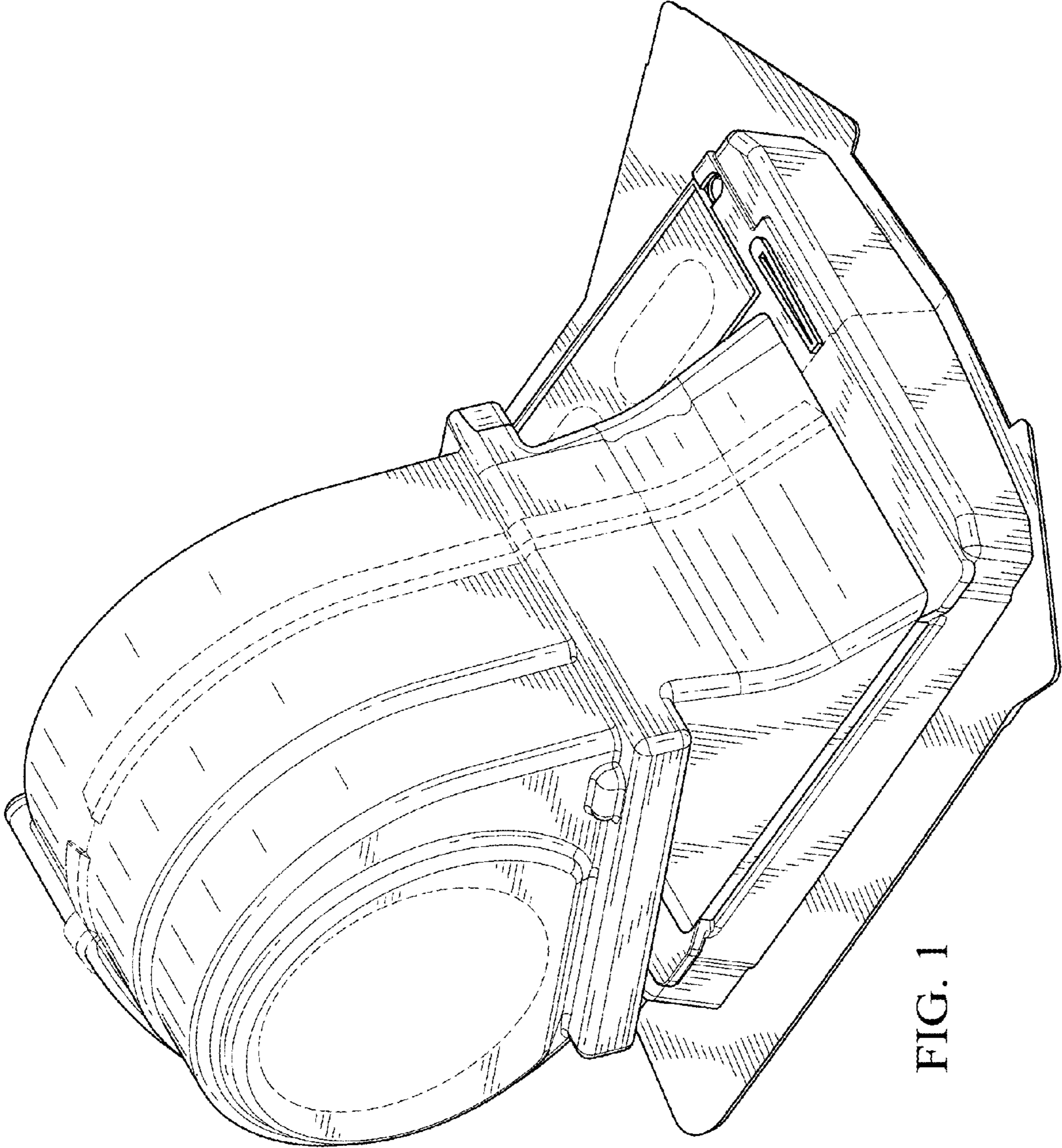


FIG. 1

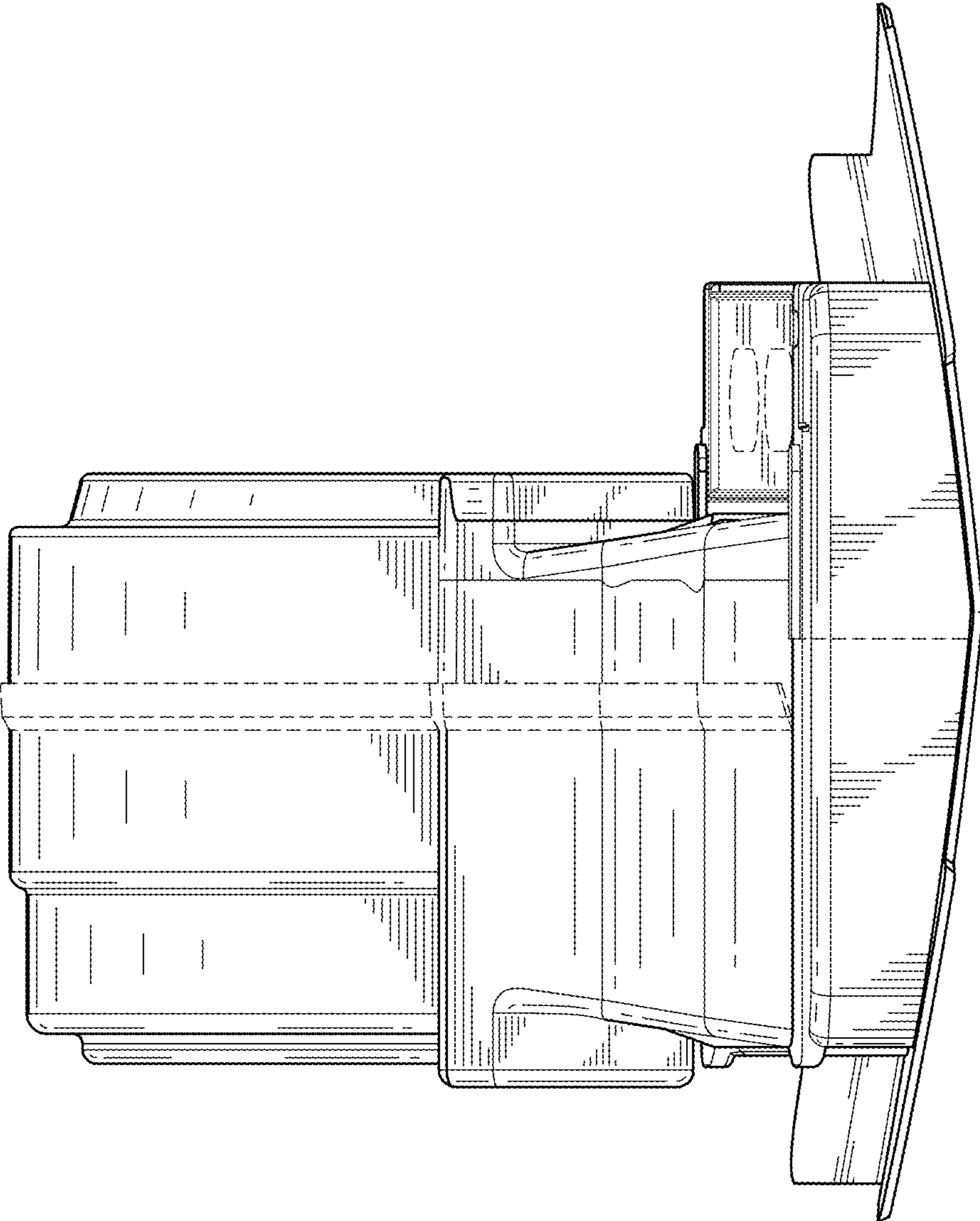


FIG. 2

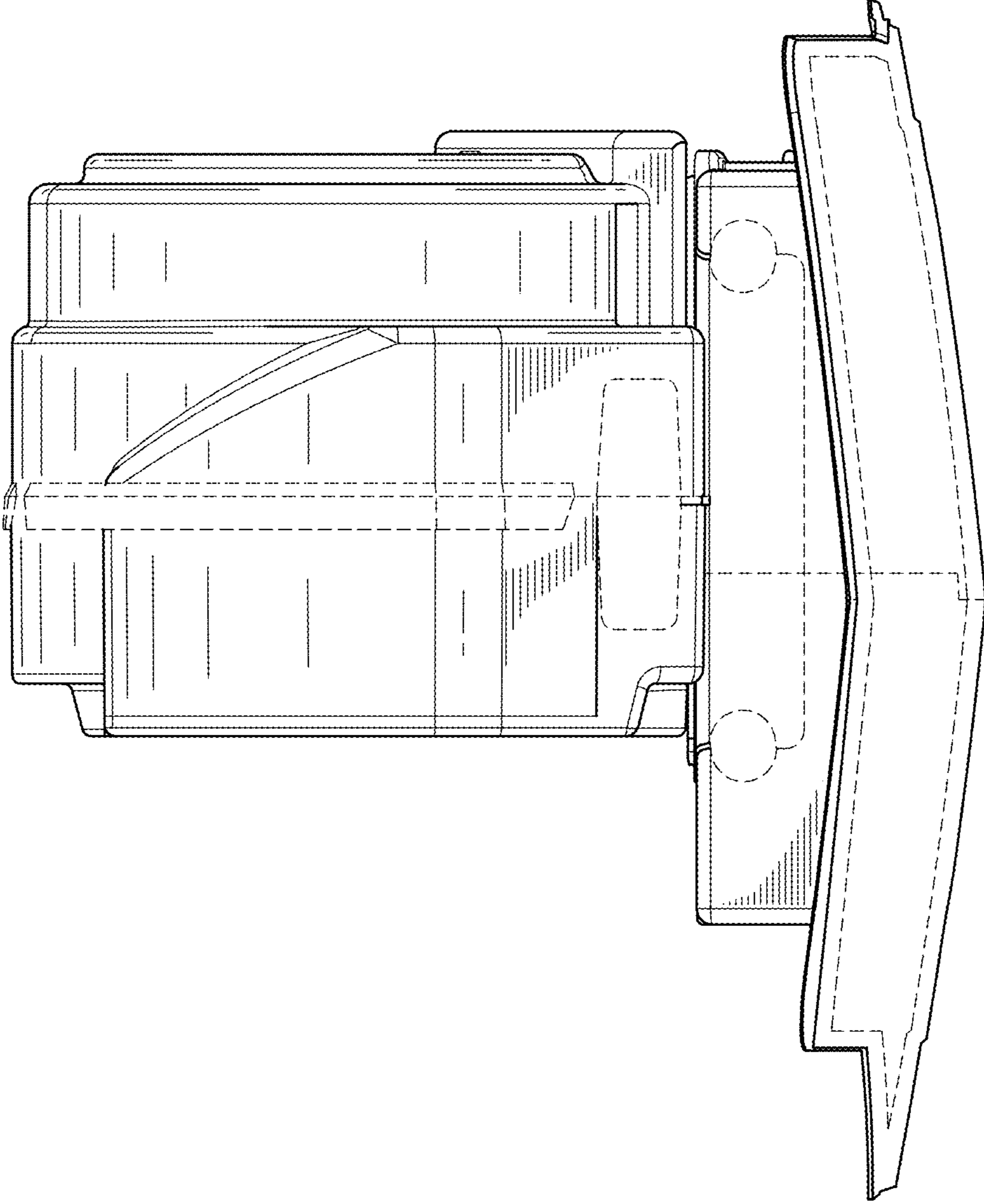


FIG. 3

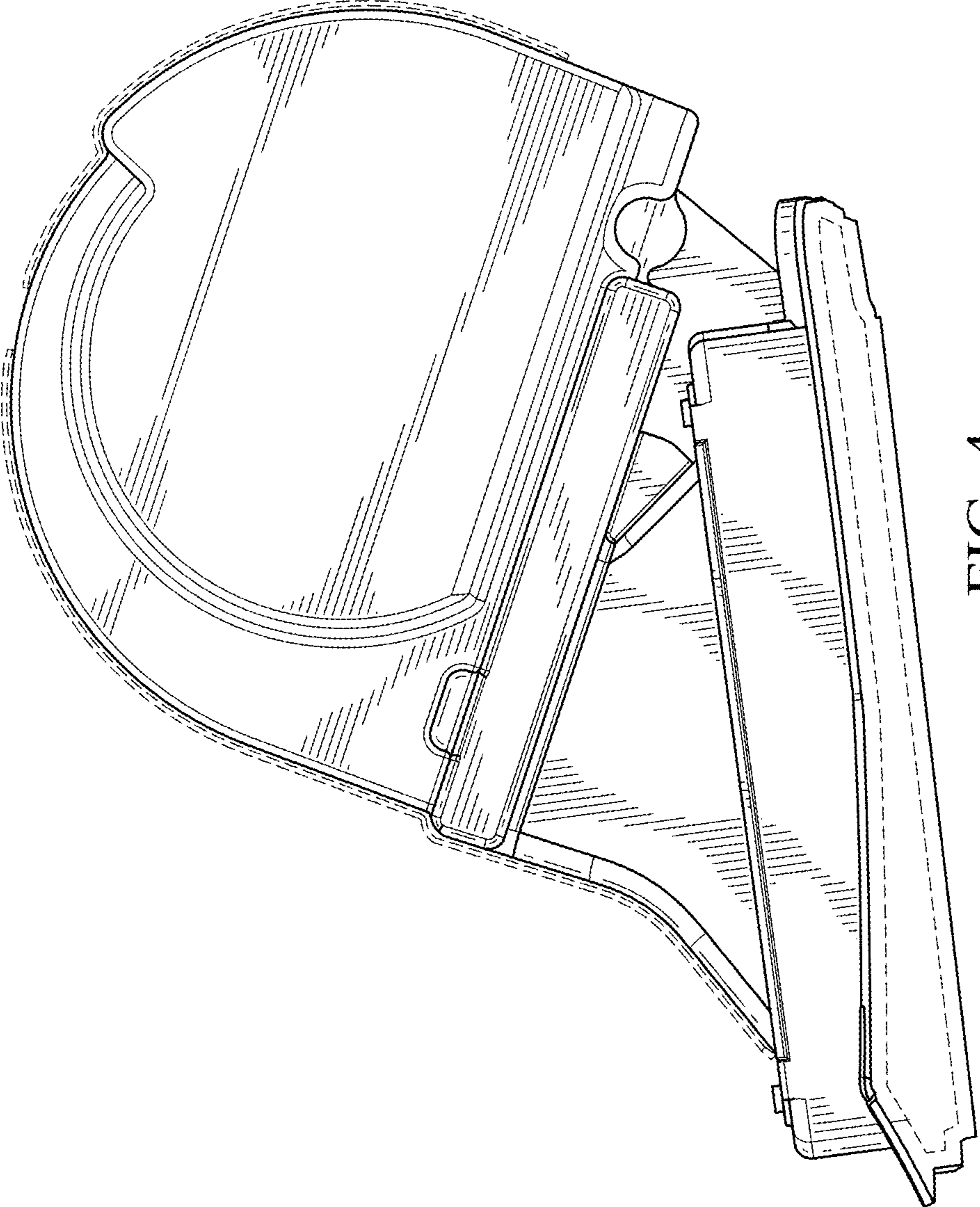


FIG. 4

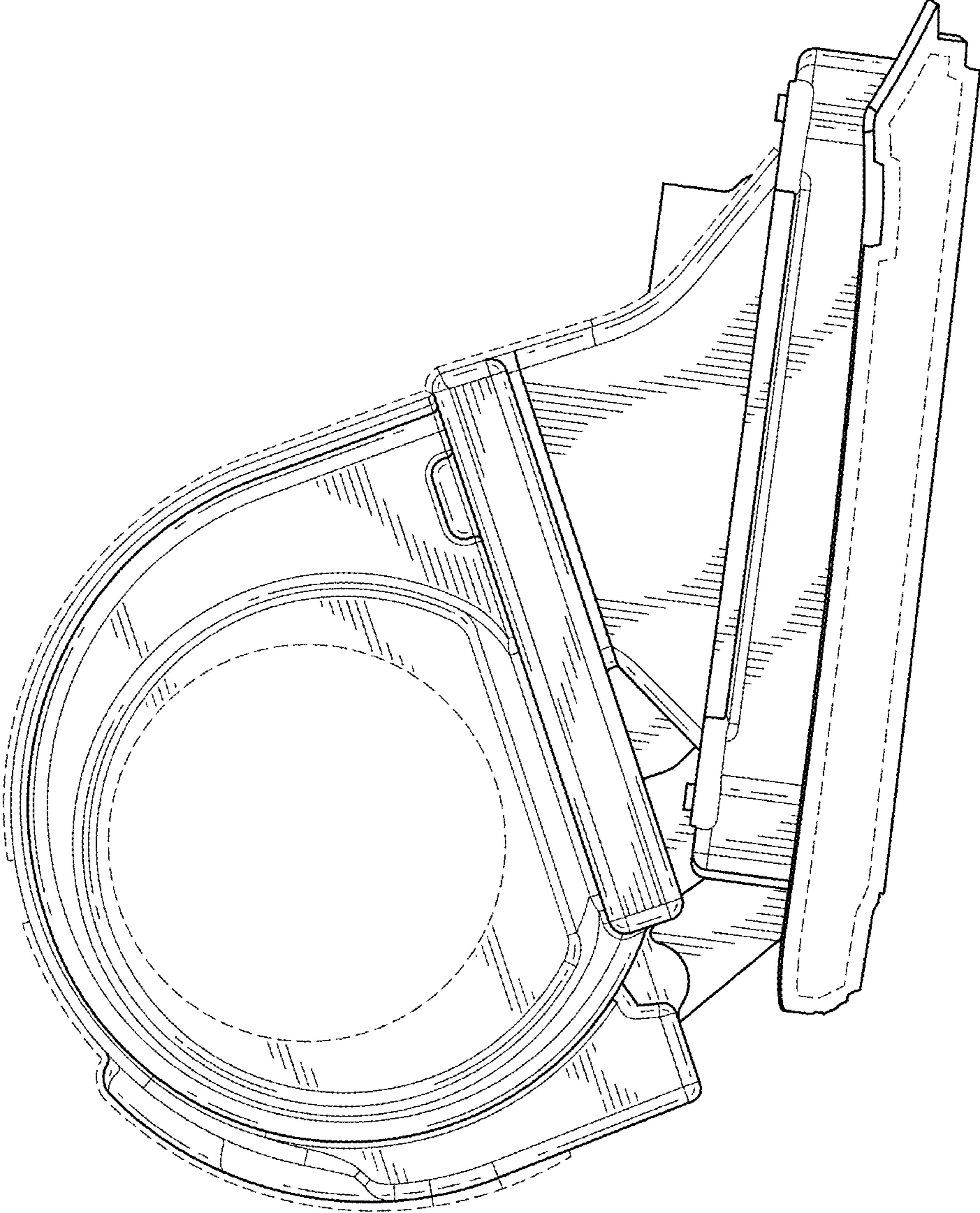


FIG. 5

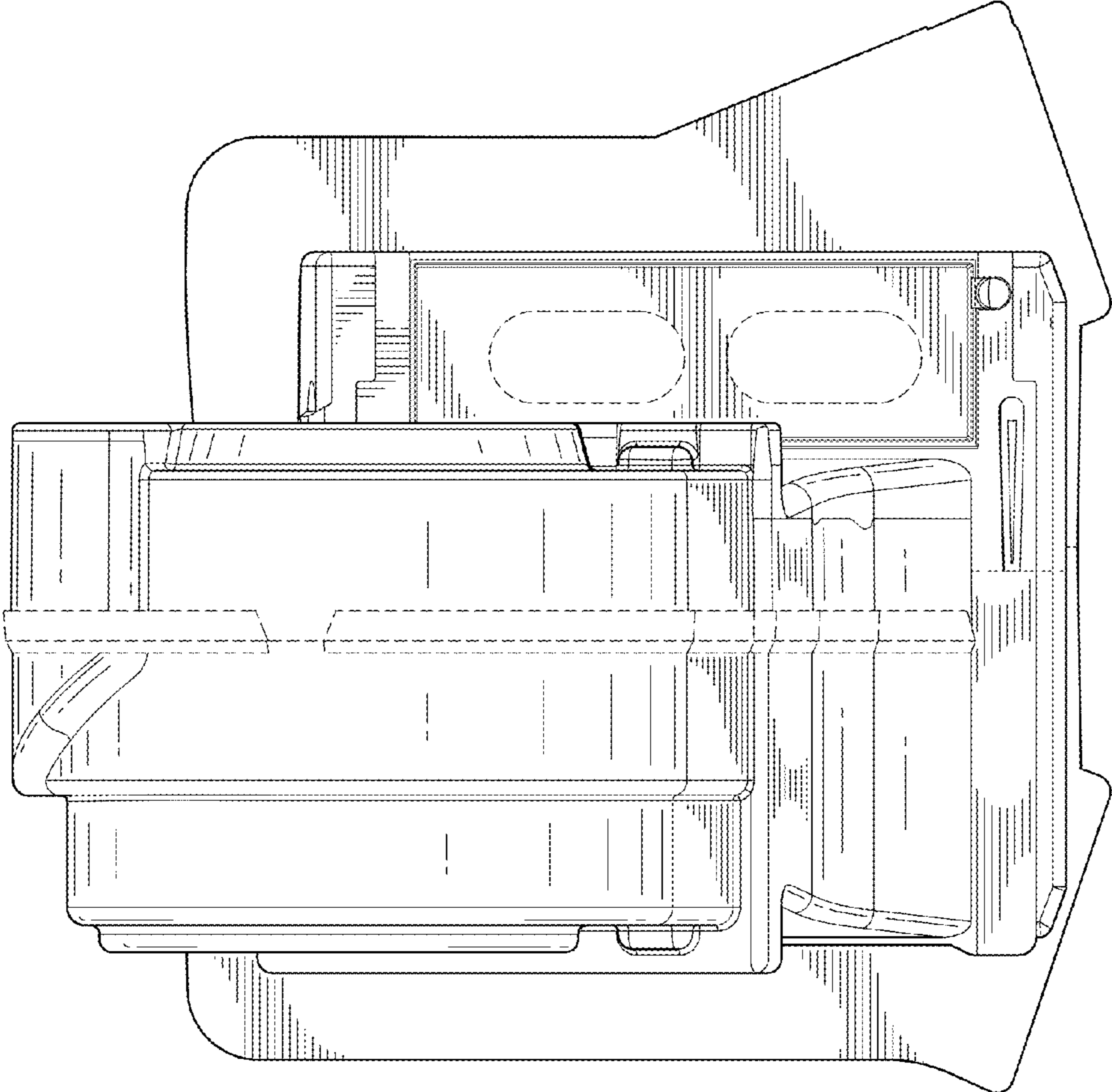


FIG. 6

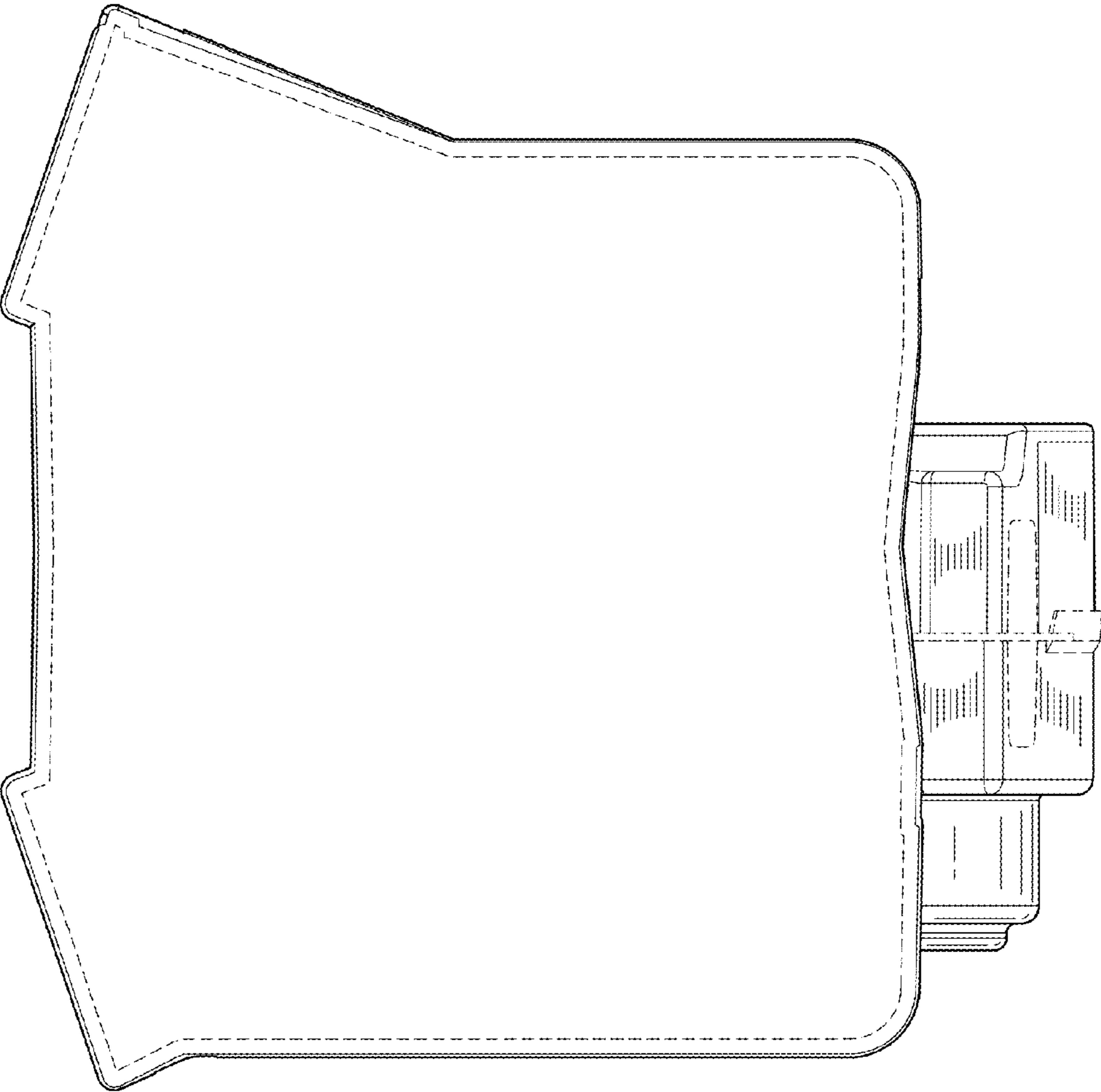


FIG. 7



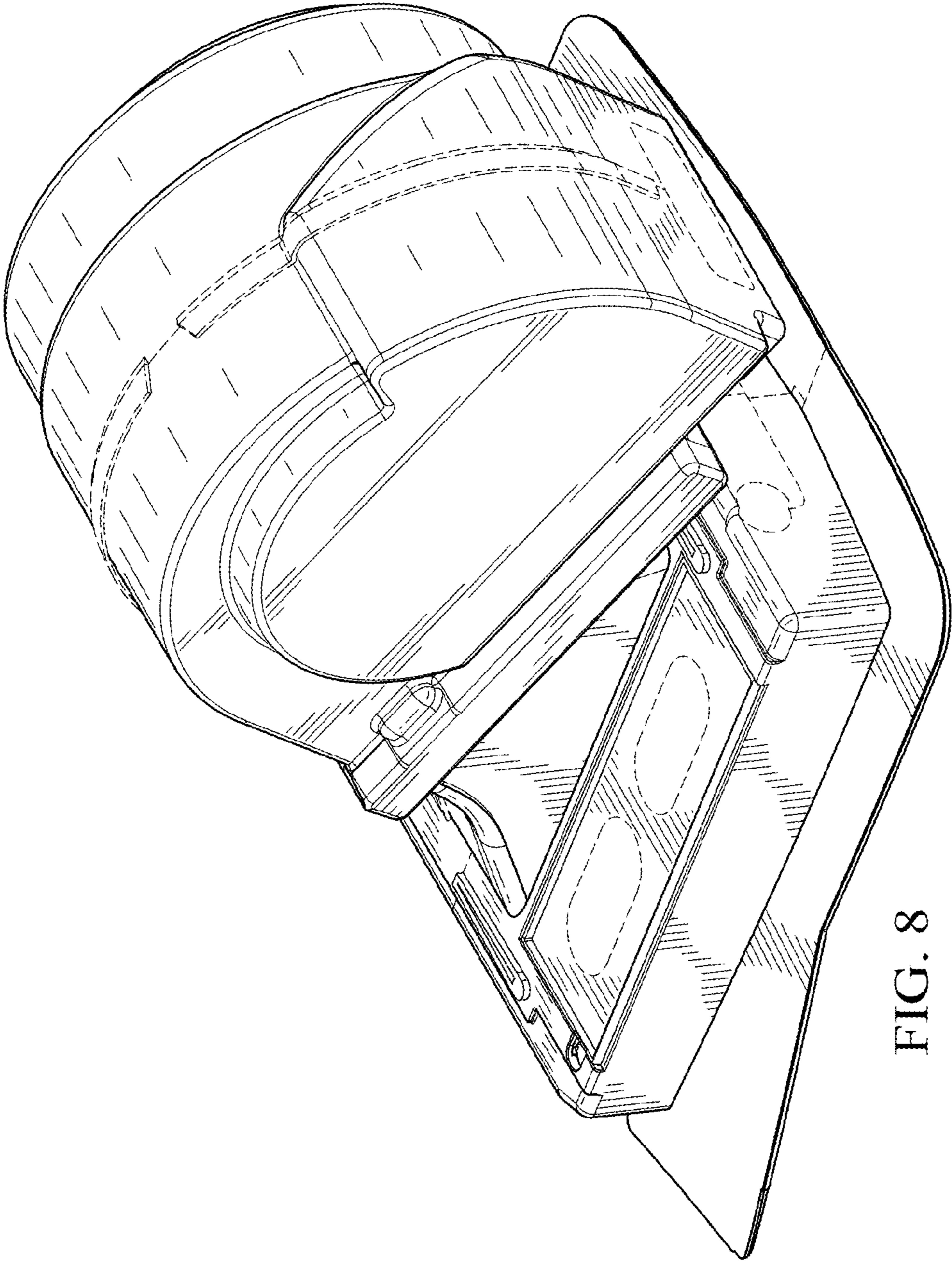


FIG. 8