



US00D717923S

(12) **United States Design Patent**  
**Rexach et al.**

(10) **Patent No.:** **US D717,923 S**

(45) **Date of Patent:** **\*\* Nov. 18, 2014**

(54) **FAUCET HANDLE**

(71) Applicant: **Kohler Co.**, Kohler, WI (US)

(72) Inventors: **Rafael A. Rexach**, Sheboygan, WI (US);  
**Herbert V. Kohler, Jr.**, Kohler, WI (US)

(73) Assignee: **Kohler Co.**, Kohler, WI (US)

(\*\*) Term: **14 Years**

(21) Appl. No.: **29/497,554**

(22) Filed: **Jul. 25, 2014**

**Related U.S. Application Data**

(62) Division of application No. 29/453,546, filed on Apr. 30, 2013.

(51) **LOC (10) Cl.** ..... **23-01**

(52) **U.S. Cl.**  
USPC ..... **D23/254**

(58) **Field of Classification Search**  
USPC ..... D23/238, 241–243, 249–250, 252, 254;  
4/675–678; 137/801  
See application file for complete search history.

(56) **References Cited**

**U.S. PATENT DOCUMENTS**

D25,950 S	8/1896	Totham	
D50,631 S	4/1917	Reid, Jr.	
D235,098 S *	5/1975	Doman	D23/252
D263,991 S	4/1982	Fleischmann et al.	
D287,395 S	12/1986	Piesco	
D293,362 S	12/1987	Hill et al.	
D293,601 S	1/1988	Hill et al.	
D305,724 S *	1/1990	Mosch	D23/252
D318,901 S	8/1991	Rodstein	
D332,824 S *	1/1993	Robbins	D23/252
D348,509 S	7/1994	Bollenbacher	
D349,208 S	8/1994	Bollenbacher	
D349,328 S	8/1994	Bollenbacher	

D349,331 S	8/1994	Bollenbacher
D349,948 S	8/1994	Bollenbacher et al.
D350,184 S	8/1994	Kohler, Jr.
D350,390 S	9/1994	Bollenbacher
D352,095 S	11/1994	Bollenbacher
D354,548 S	1/1995	Bollenbacher et al.
D357,525 S	4/1995	Fabian
D384,730 S	10/1997	Doughty et al.
D407,466 S	3/1999	Hundley et al.

(Continued)

**OTHER PUBLICATIONS**

U.S. Appl. No. 13/794,544, filed Mar. 11, 2013, Kohler Co.

(Continued)

*Primary Examiner* — Robert Delehanty

(74) *Attorney, Agent, or Firm* — Foley & Lardner LLP

(57) **CLAIM**

We claim the ornamental design for a faucet handle, as shown and described.

**DESCRIPTION**

FIG. 1 is a top, front, right perspective view of an embodiment of the claimed design;

FIG. 2 is a front elevation view thereof;

FIG. 3 is a rear elevation view thereof;

FIG. 4 is a right elevation view thereof;

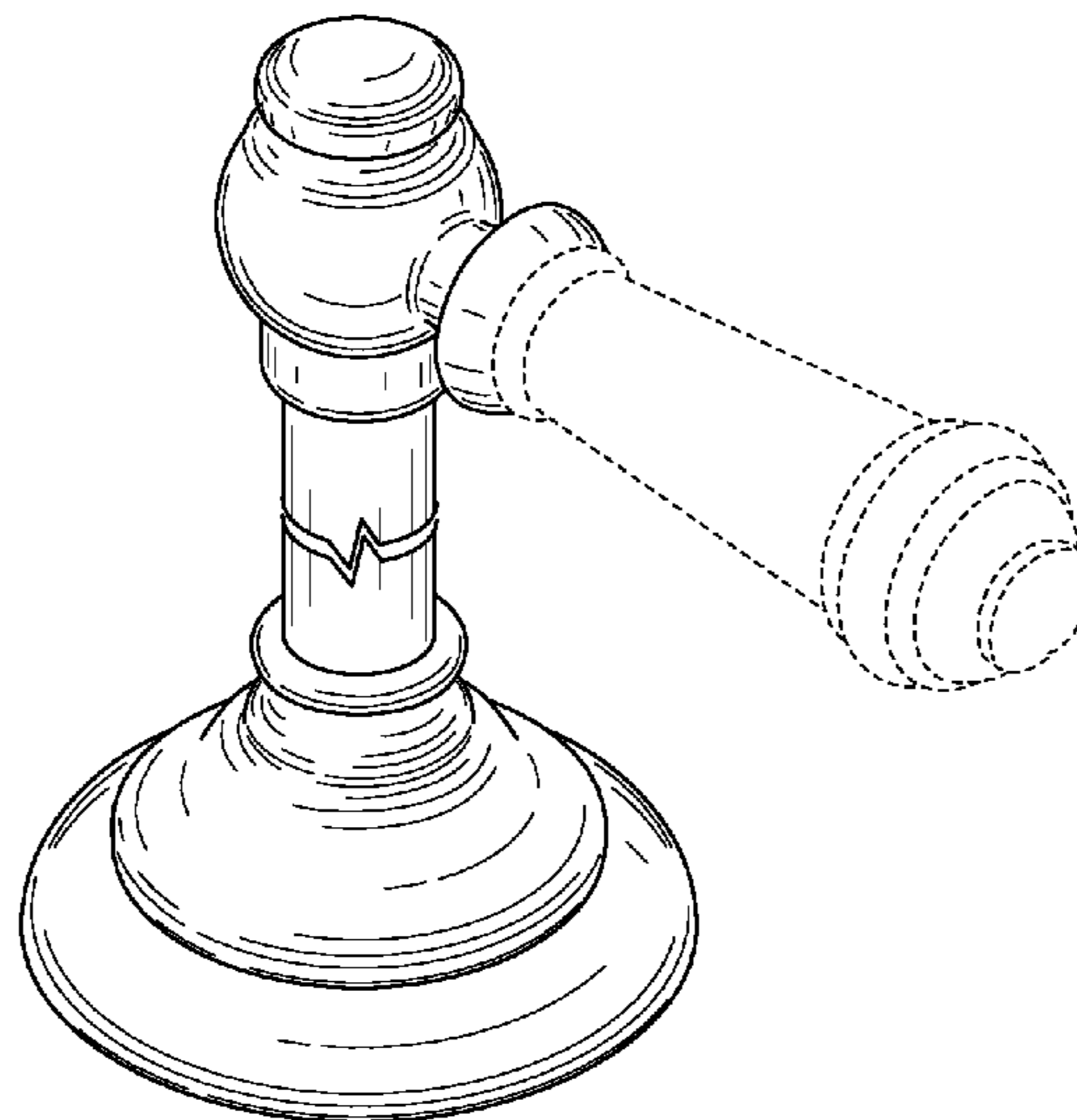
FIG. 5 is a left elevation view thereof;

FIG. 6 is a top plan view thereof; and,

FIG. 7 is a bottom plan view thereof.

The ornamental design which is claimed is shown in solid lines in the drawings. The broken lines in the drawings are for illustrative purposes only and form no part of the claimed design. Broken lines formed by equal length dashes show unclaimed portions of the design. Broken lines having a jagged element show that no particular length of the portion is claimed.

**1 Claim, 7 Drawing Sheets**



(56)

**References Cited**

U.S. PATENT DOCUMENTS

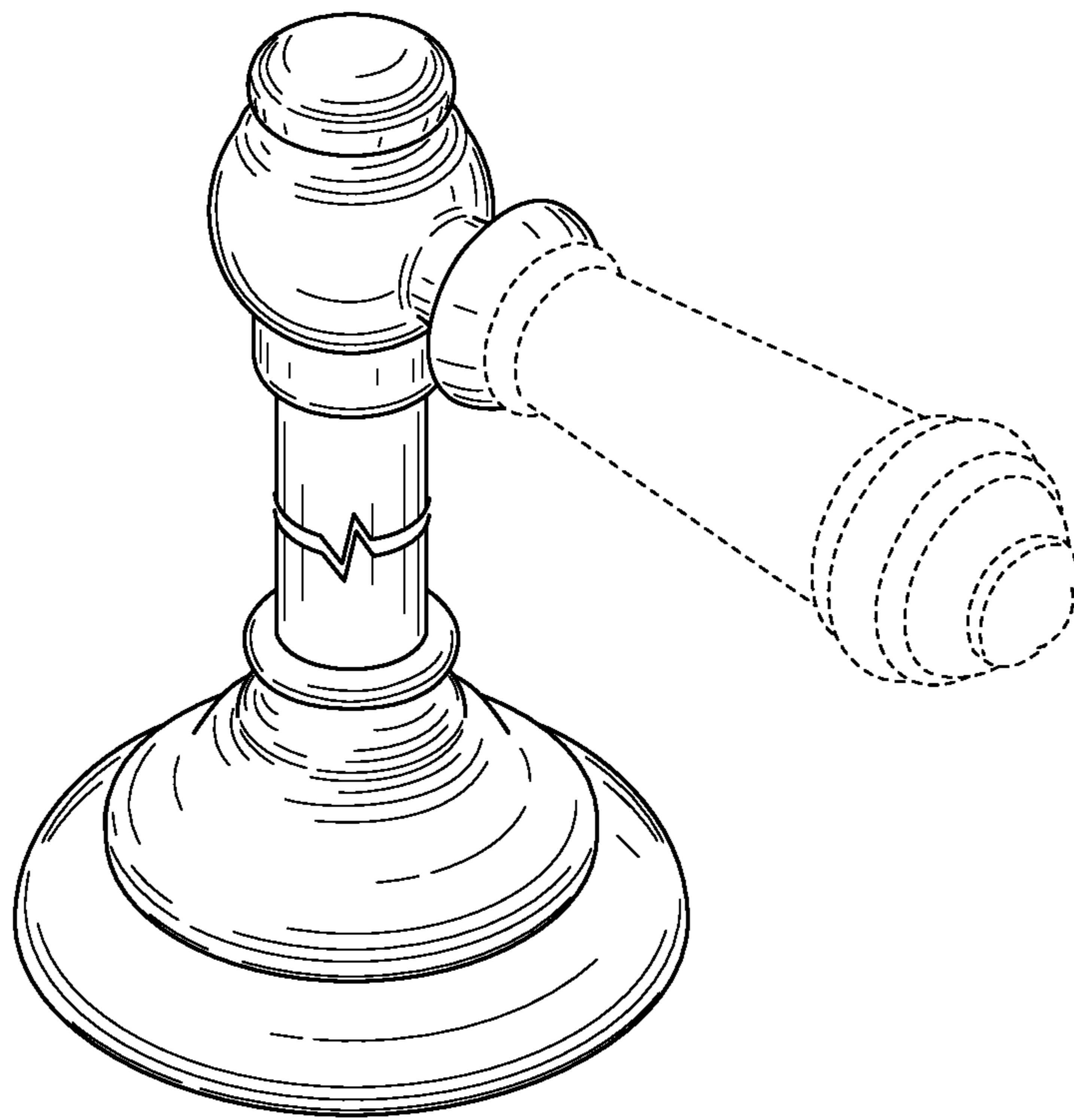
D456,879 S 5/2002 Doughty et al.  
 D461,000 S 7/2002 Mullenmeister  
 D461,231 S 8/2002 Mullenmeister  
 D463,533 S 9/2002 Ko  
 D465,268 S 11/2002 Mullenmeister  
 D465,269 S 11/2002 Hsu  
 D468,810 S 1/2003 Smith  
 D470,917 S 2/2003 Friedrich  
 D471,964 S 3/2003 Bates et al.  
 D472,615 S 4/2003 Smith  
 D482,757 S 11/2003 Blomstrom  
 D482,758 S 11/2003 Bates et al.  
 D483,093 S 12/2003 Bates et al.  
 D487,916 S 3/2004 Lord  
 D500,549 S 1/2005 Blomstrom  
 D508,108 S 8/2005 Blomstrom  
 D515,181 S 2/2006 Lun et al.  
 D516,683 S 3/2006 Ouyoung  
 D521,110 S 5/2006 Fritz et al.  
 D521,125 S 5/2006 Fritz  
 D524,923 S 7/2006 Gilbert et al.  
 D527,804 S 9/2006 Chu et al.  
 D530,795 S 10/2006 Sutopo  
 D531,273 S 10/2006 Tsai  
 D532,083 S 11/2006 Green  
 D534,987 S 1/2007 Eilmus  
 D558,304 S 12/2007 Hoernig  
 D581,495 S 11/2008 Yuan  
 D581,496 S 11/2008 Dolan  
 D582,011 S 12/2008 Yuan  
 D582,018 S 12/2008 Yuan  
 D583,439 S 12/2008 Spangler  
 D645,944 S 9/2011 Gilbert  
 D646,365 S 10/2011 Parekh  
 D654,569 S 2/2012 Yu  
 D654,571 S 2/2012 Yu  
 D657,023 S 4/2012 McKeone  
 D664,631 S 7/2012 Schaefer  
 D667,085 S 9/2012 Shieh  
 D676,939 S 2/2013 Kwok

D683,428 S 5/2013 Kwok  
 D683,823 S 6/2013 Kwok  
 D712,517 S 9/2014 Citterio

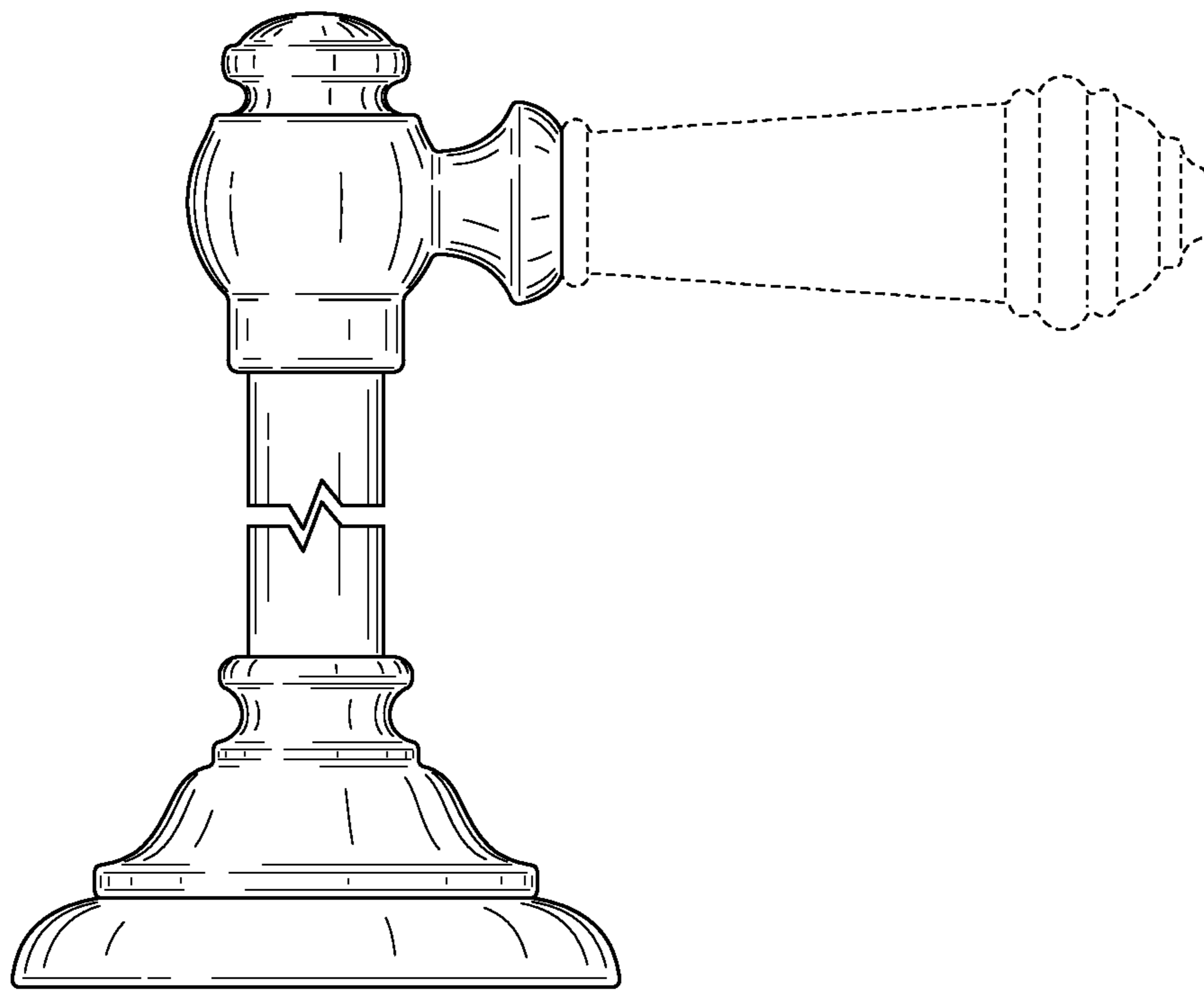
OTHER PUBLICATIONS

US Notice of Allowance dated Jul. 22, 2014 for U.S. Appl. No. 29/453,546, filed Apr. 30, 2014.  
 US Notice of Allowance dated Sep. 16, 2014 for U.S. Appl. No. 29/497,499, filed Jul. 25, 2014.  
 US Notice of Allowance dated Sep. 5, 2014 for U.S. Appl. No. 29/497,502, filed Jul. 25, 2014.  
 US Notice of Allowance dated Sep. 2, 2014 for U.S. Appl. No. 29/497,505, filed Jul. 25, 2014.  
 US Notice of Allowance dated Sep. 3, 2014 for U.S. Appl. No. 29/497,506, filed Jul. 25, 2014.  
 US Notice of Allowance dated Sep. 12, 2014 for U.S. Appl. No. 29/497,507, filed Jul. 25, 2014.  
 US Notice of Allowance dated Sep. 12, 2014 for U.S. Appl. No. 29/497,510, filed Jul. 25, 2014.  
 US Notice of Allowance dated Sep. 15, 2014 for U.S. Appl. No. 29/497,515, filed Jul. 25, 2014.  
 US Notice of Allowance dated Sep. 12, 2014 for U.S. Appl. No. 29/497,520, filed Jul. 25, 2014.  
 US Notice of Allowance dated Sep. 15, 2014 for U.S. Appl. No. 29/497,523, filed Jul. 25, 2014.  
 US Notice of Allowance dated Sep. 15, 2014 for U.S. Appl. No. 29/497,531, filed Jul. 25, 2014.  
 US Notice of Allowance dated Sep. 12, 2014 for U.S. Appl. No. 29/497,537, filed Jul. 25, 2014.  
 US Notice of Allowance dated Sep. 12, 2014 for U.S. Appl. No. 29/497,543, filed Jul. 25, 2014.  
 US Notice of Allowance dated Sep. 15, 2014 for U.S. Appl. No. 29/497,550, filed Jul. 25, 2014.  
 US Notice of Allowance dated Sep. 15, 2014 for U.S. Appl. No. 29/497,533, filed Jul. 25, 2014.  
 US Notice of Allowance dated Sep. 18, 2014 for U.S. Appl. No. 29/497,590, filed Jul. 25, 2014.  
 US Notice of Allowance dated Sep. 15, 2014 for U.S. Appl. No. 29/497,595, filed Jul. 25, 2014.

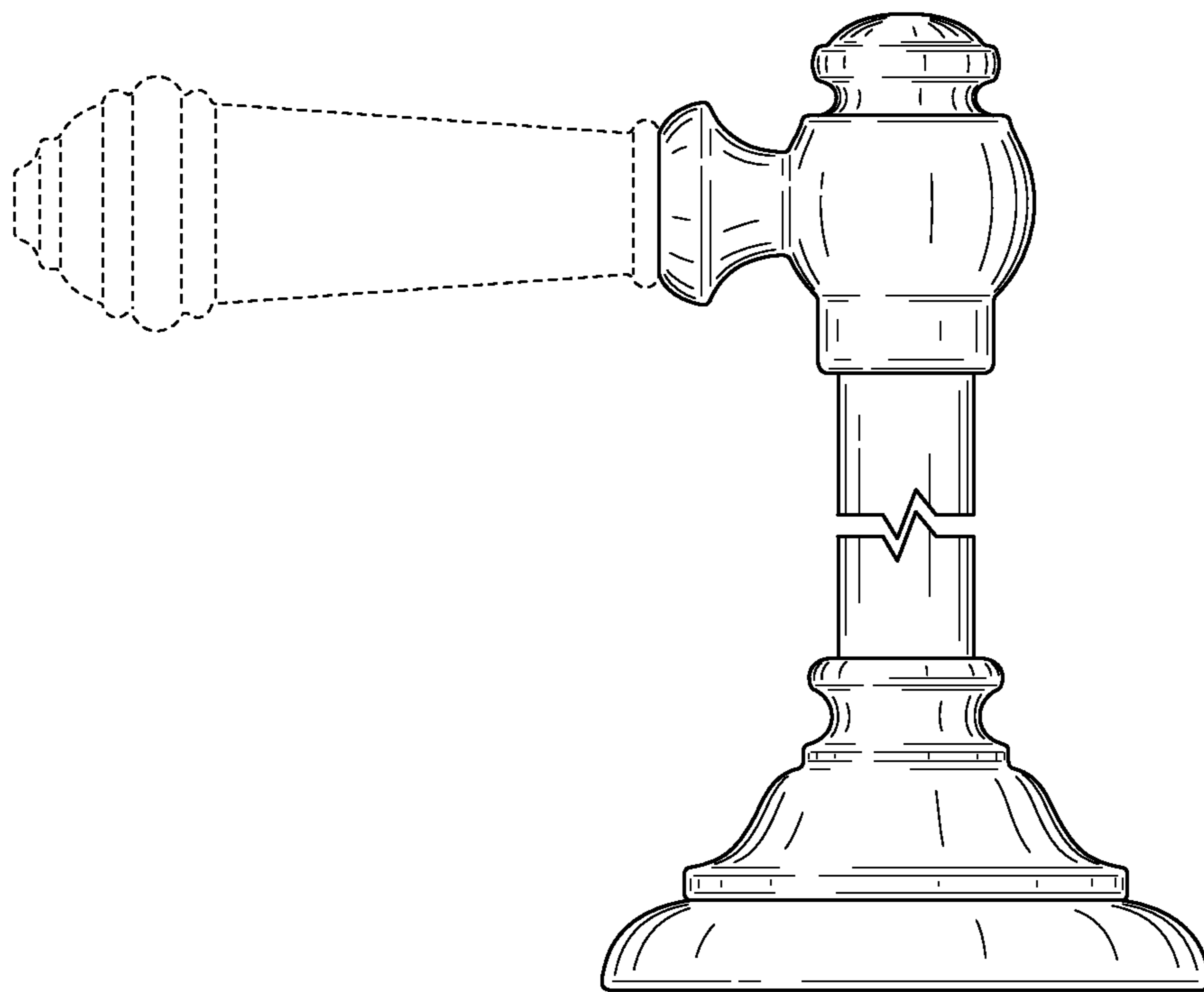
\* cited by examiner



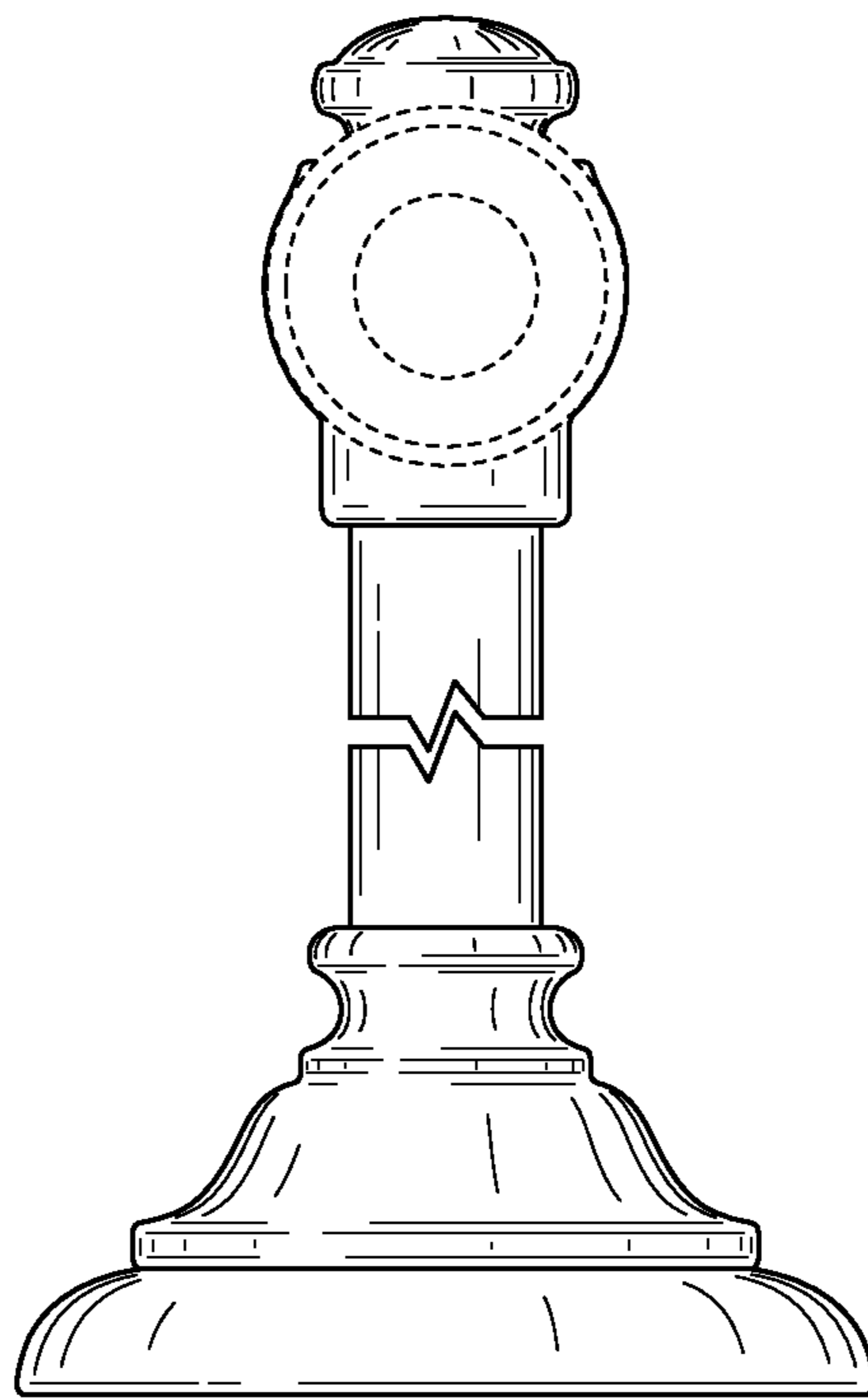
**FIG. 1**



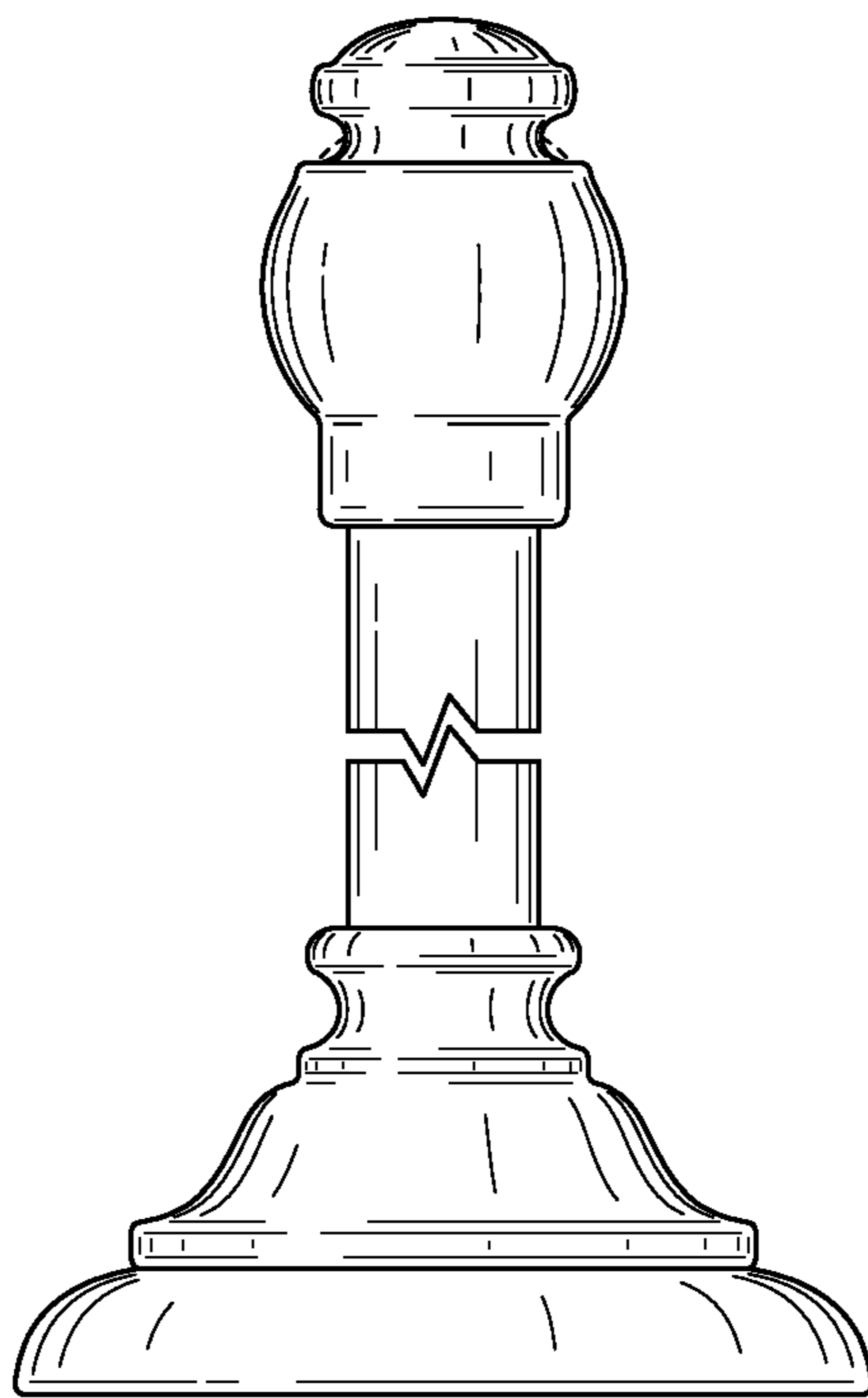
**FIG. 2**



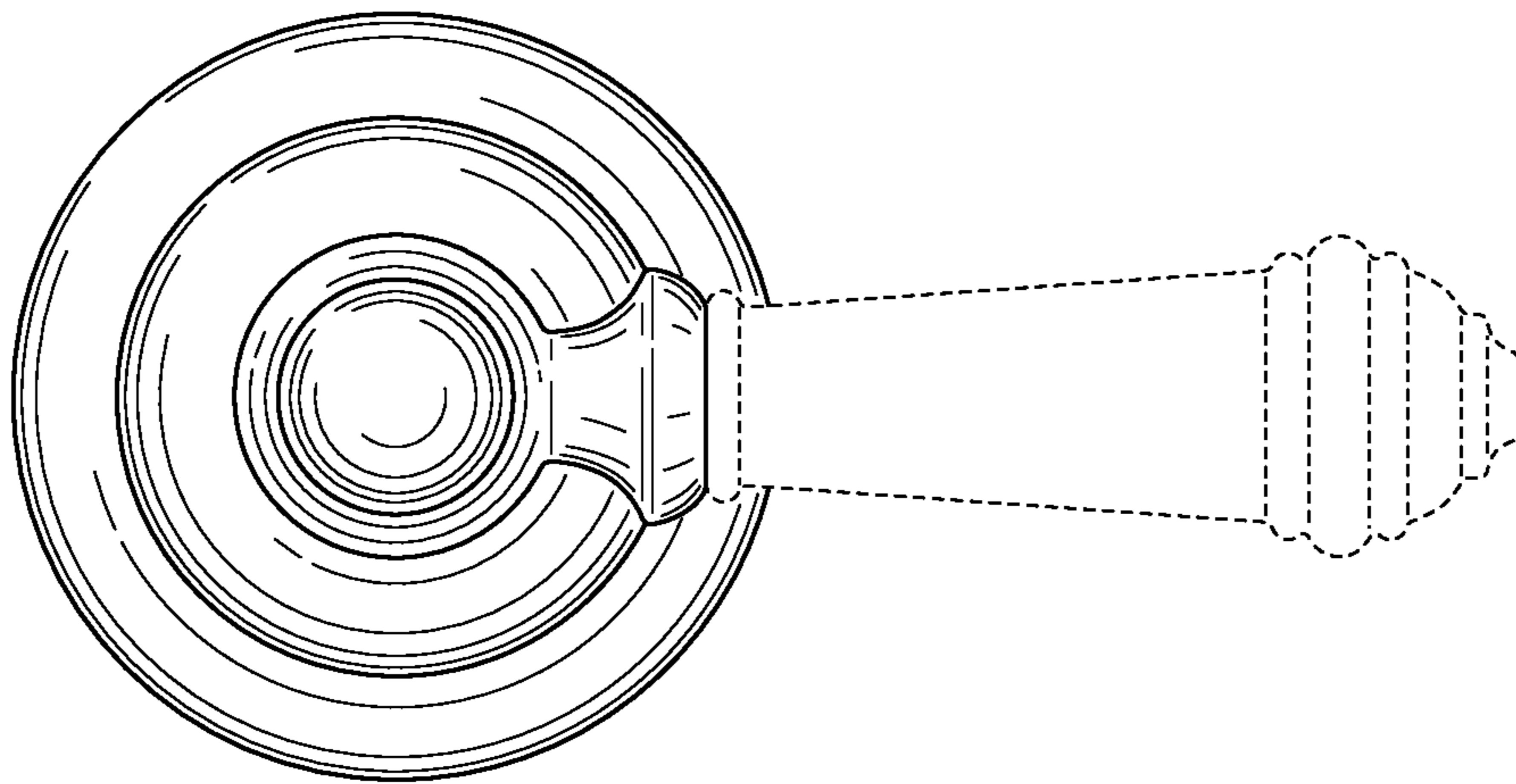
**FIG. 3**



**FIG. 4**

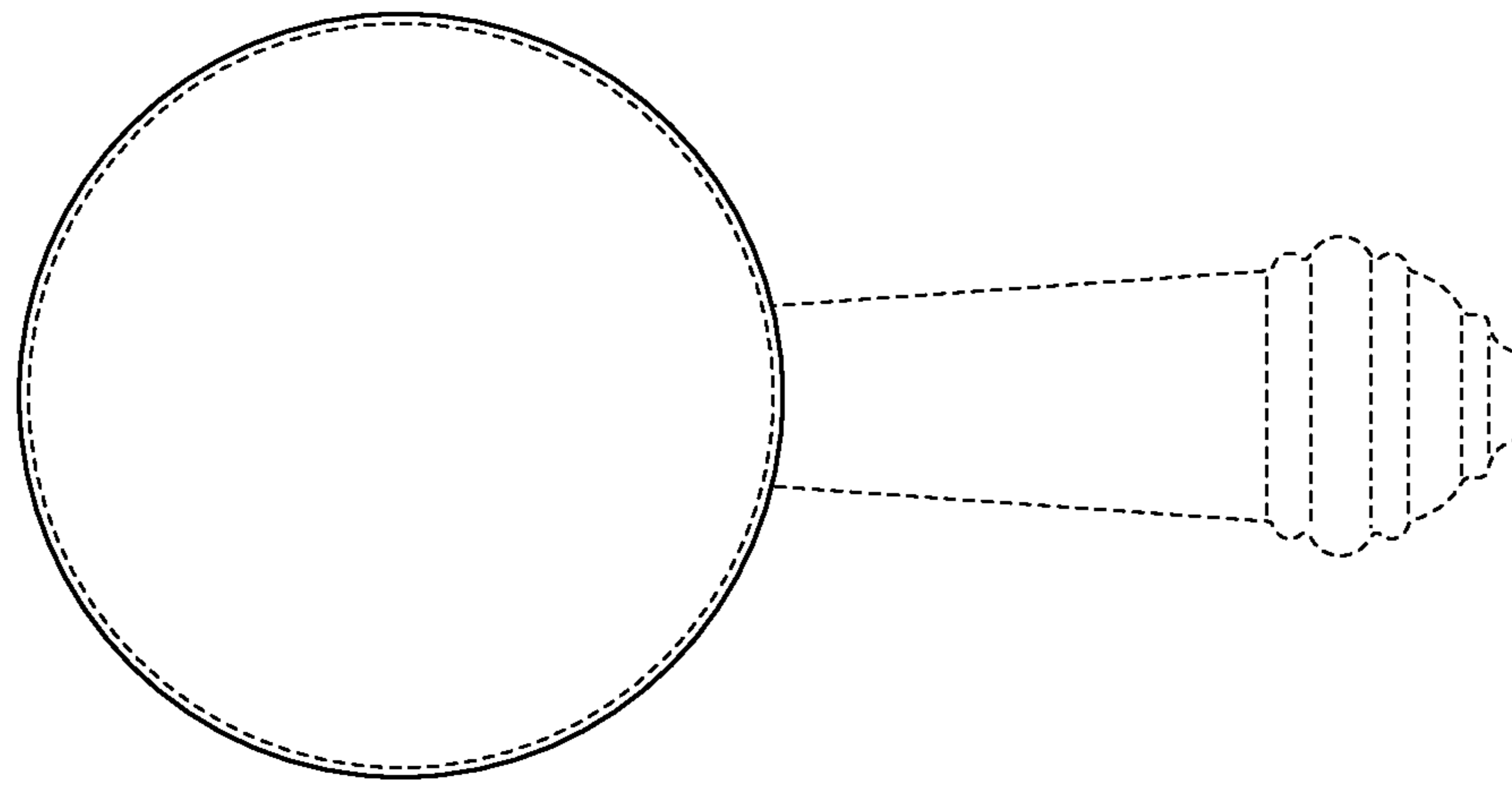


**FIG. 5**



**FIG. 6**





**FIG. 7**