



US00D717917S

(12) **United States Design Patent**
Rexach et al.

(10) **Patent No.:** **US D717,917 S**
(45) **Date of Patent:** **** Nov. 18, 2014**

- (54) **FAUCET**
- (71) Applicant: **Kohler Co.**, Kohler, WI (US)
- (72) Inventors: **Rafael A. Rexach**, Sheboygan, WI (US);
Herbert V. Kohler, Jr., Kohler, WI (US)
- (73) Assignee: **Kohler Co.**, Kohler, WI (US)
- (**) Term: **14 Years**
- (21) Appl. No.: **29/497,505**
- (22) Filed: **Jul. 25, 2014**

- D349,328 S 8/1994 Bollenbacher
- D349,331 S 8/1994 Bollenbacher
- D349,948 S 8/1994 Bollenbacher et al.
- D350,184 S 8/1994 Kohler, Jr.
- D350,390 S 9/1994 Bollenbacher
- D352,095 S 11/1994 Bollenbacher
- D354,548 S 1/1995 Bollenbacher et al.
- D357,525 S 4/1995 Fabian
- D384,730 S 10/1997 Doughty et al.
- D407,466 S 3/1999 Hundley et al.
- D456,879 S 5/2002 Doughty et al.

(Continued)

OTHER PUBLICATIONS

U.S. Appl. No. 13/794,544, filed Mar. 11, 2013, Kohler Co.

(Continued)

Related U.S. Application Data

- (62) Division of application No. 29/453,546, filed on Apr. 30, 2013.
- (51) **LOC (10) CI.** **23-01**
- (52) **U.S. CI.**
USPC **D23/249**
- (58) **Field of Classification Search**
USPC D23/238, 241–243, 249, 255, 257;
4/675–678; 137/801
See application file for complete search history.

Primary Examiner — Robert Delehanty

(74) *Attorney, Agent, or Firm* — Foley & Lardner LLP

(57) **CLAIM**

We claim the ornamental design for a faucet, as shown and described.

DESCRIPTION

FIG. 1 is a top, front, left perspective view of an embodiment of the claimed design;

FIG. 2 is a front elevation view thereof;

FIG. 3 is a rear elevation view thereof;

FIG. 4 is a right elevation view thereof;

FIG. 5 is a left elevation view thereof;

FIG. 6 is a top plan view thereof; and,

FIG. 7 is a bottom plan view thereof.

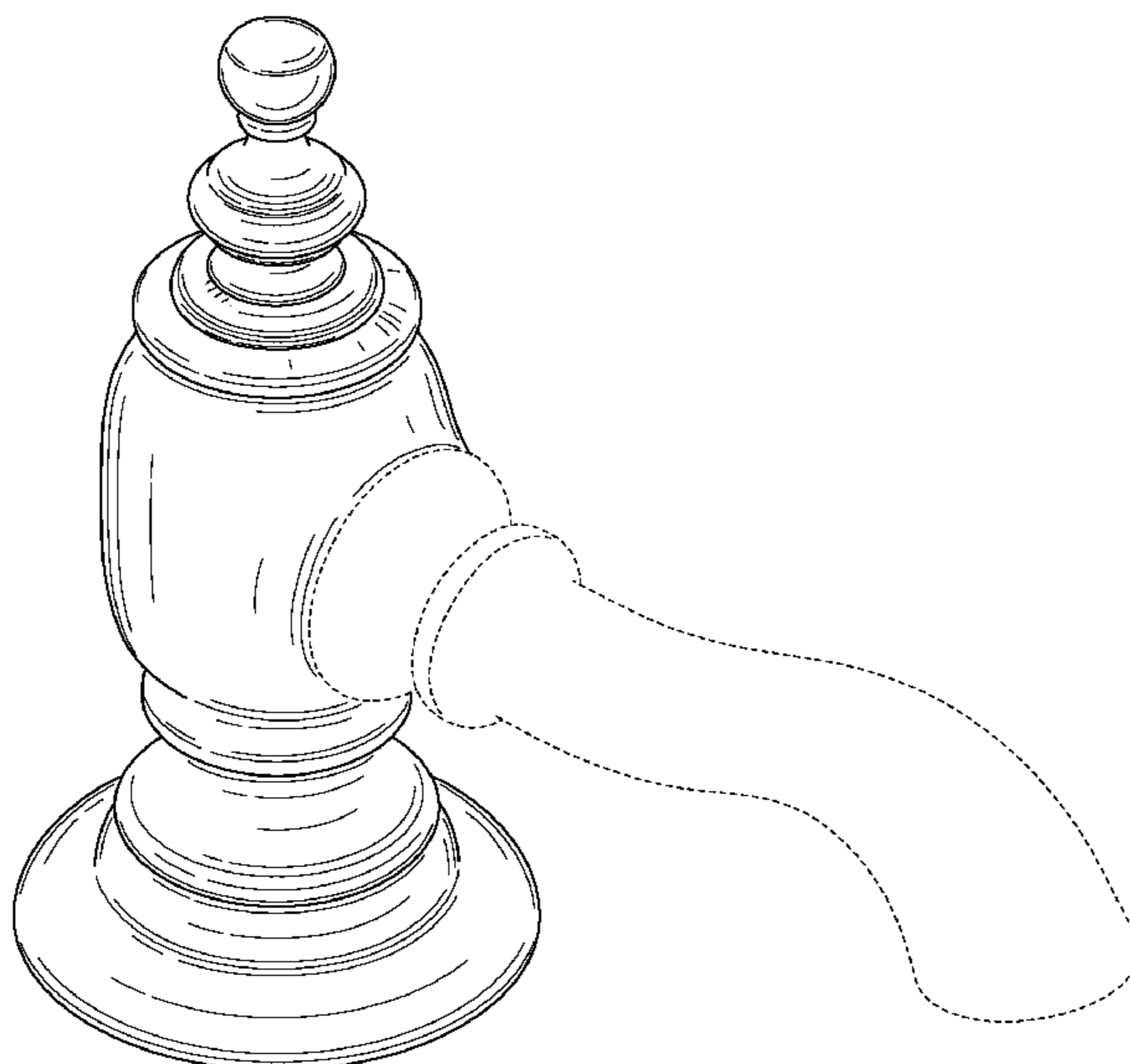
The ornamental design which is claimed is shown in solid lines in the drawings. The broken lines in the drawings are for illustrative purposes only and form no part of the claimed design. Broken lines formed by equal length dashes show unclaimed portions of the design.

1 Claim, 7 Drawing Sheets

(56) **References Cited**

U.S. PATENT DOCUMENTS

- D25,950 S * 8/1896 Totham D23/238
- D50,631 S 4/1917 Reid Jr.
- D235,098 S 5/1975 Doman et al.
- D263,991 S * 4/1982 Fleischmann et al. D23/257
- D287,395 S 12/1986 Piesco
- D293,362 S 12/1987 Hill et al.
- D293,601 S 1/1988 Hill et al.
- D305,724 S 1/1990 Mosch
- D318,901 S 8/1991 Rodstein
- D332,824 S 1/1993 Robbins
- D348,509 S 7/1994 Bollenbacher
- D349,208 S 8/1994 Bollenbacher



(56)

References Cited

U.S. PATENT DOCUMENTS

D461,000 S	7/2002	Mullenmeister	
D461,231 S	8/2002	Mullenmeister	
D463,533 S	9/2002	Ko	
D465,268 S	11/2002	Mullenmeister	
D465,269 S	11/2002	Hsu	
D468,810 S	1/2003	Smith	
D471,964 S	3/2003	Bates et al.	
D472,615 S	4/2003	Smith	
D482,757 S	11/2003	Blomstrom	
D482,758 S	11/2003	Bates et al.	
D483,093 S	12/2003	Bates et al.	
D487,916 S	3/2004	Lord	
D500,549 S	1/2005	Blomstrom	
D508,108 S	8/2005	Blomstrom	
D515,181 S	2/2006	Lun et al.	
D516,683 S	3/2006	Ouyoung	
D521,110 S	* 5/2006	Fritz et al.	D23/241
D521,125 S	5/2006	Fritz	
D524,923 S	7/2006	Gilbert et al.	
D527,804 S	9/2006	Chu et al.	
D530,795 S	10/2006	Sutopo	
D531,273 S	10/2006	Tsai	
D532,083 S	* 11/2006	Green	D23/238
D534,987 S	1/2007	Eilmus	
D558,304 S	12/2007	Hoernig	
D581,495 S	11/2008	Yuan	
D581,496 S	11/2008	Dolan	
D582,011 S	12/2008	Yuan	
D582,018 S	12/2008	Yuan	
D583,439 S	12/2008	Spangler	
D645,944 S	9/2011	Gilbert	
D646,365 S	10/2011	Parekh	
D654,569 S	2/2012	Yu	
D654,571 S	2/2012	Yu	
D657,023 S	4/2012	Mckeone	
D664,631 S	7/2012	Schaefer	
D667,085 S	* 9/2012	Shieh	D23/238
D676,939 S	2/2013	Kwok	

D683,428 S	5/2013	Kwok
D683,823 S	6/2013	Kwok
D712,517 S	9/2014	Citterio

OTHER PUBLICATIONS

US Notice of Allowance dated Sep. 16, 2014 for U.S. Appl. No. 29/497,499, filed Jul. 25, 2014.

US Notice of Allowance dated Jul. 22, 2014 for U.S. Appl. No. 29/453,546, filed Apr. 30, 2014.

US Notice of Allowance dated Sep. 5, 2014 for U.S. Appl. No. 29/497,502, filed Jul. 25, 2014.

US Notice of Allowance dated Sep. 3, 2014 for U.S. Appl. No. 29/497,506, filed Jul. 25, 2014.

US Notice of Allowance dated Sep. 12, 2014 for U.S. Appl. No. 29/497,507, filed Jul. 25, 2014.

US Notice of Allowance dated Sep. 12, 2014 for U.S. Appl. No. 29/497,510, filed Jul. 25, 2014.

US Notice of Allowance dated Sep. 15, 2014 for U.S. Appl. No. 29/497,515, filed Jul. 25, 2014.

US Notice of Allowance dated Sep. 12, 2014 for U.S. Appl. No. 29/497,520, filed Jul. 25, 2014.

US Notice of Allowance dated Sep. 15, 2014 for U.S. Appl. No. 29/497,523, filed Jul. 25, 2014.

US Notice of Allowance dated Sep. 15, 2014 for U.S. Appl. No. 29/497,531, filed Jul. 25, 2014.

US Notice of Allowance dated Sep. 15, 2014 for U.S. Appl. No. 29/497,533, filed Jul. 25, 2014.

US Notice of Allowance dated Sep. 12, 2014 for U.S. Appl. No. 29/497,537, filed Jul. 25, 2014.

US Notice of Allowance dated Sep. 12, 2014 for U.S. Appl. No. 29/497,543, filed Jul. 25, 2014.

US Notice of Allowance dated Sep. 15, 2014 for U.S. Appl. No. 29/497,550, filed Jul. 25, 2014.

US Notice of Allowance dated Sep. 15, 2014 for U.S. Appl. No. 29/497,554, filed Jul. 25, 2014.

US Notice of Allowance dated Sep. 18, 2014 for U.S. Appl. No. 29/497,590, filed Jul. 25, 2014.

US Notice of Allowance dated Sep. 15, 2014 for U.S. Appl. No. 29/497,595, filed Jul. 25, 2014.

* cited by examiner

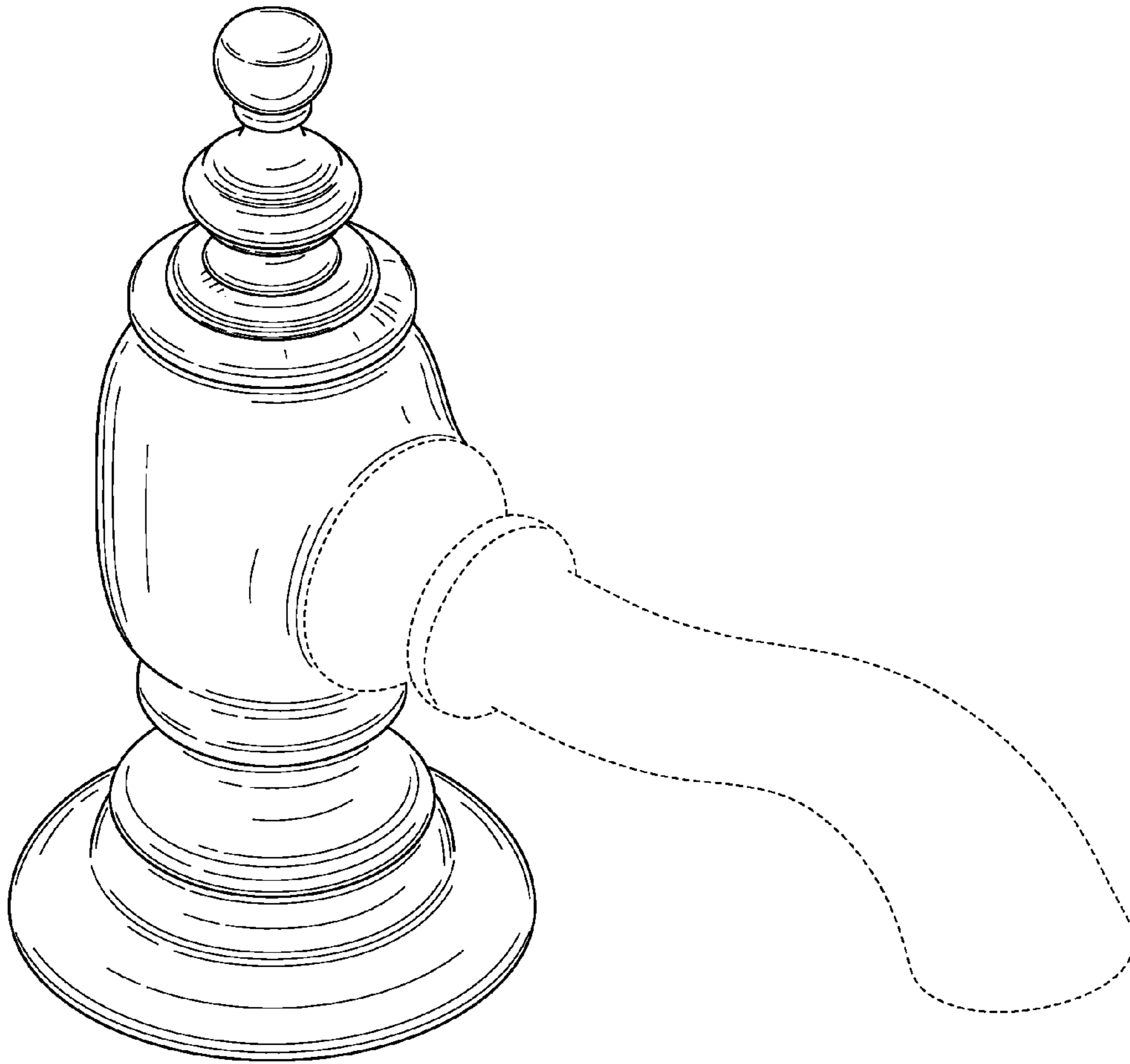


FIG. 1

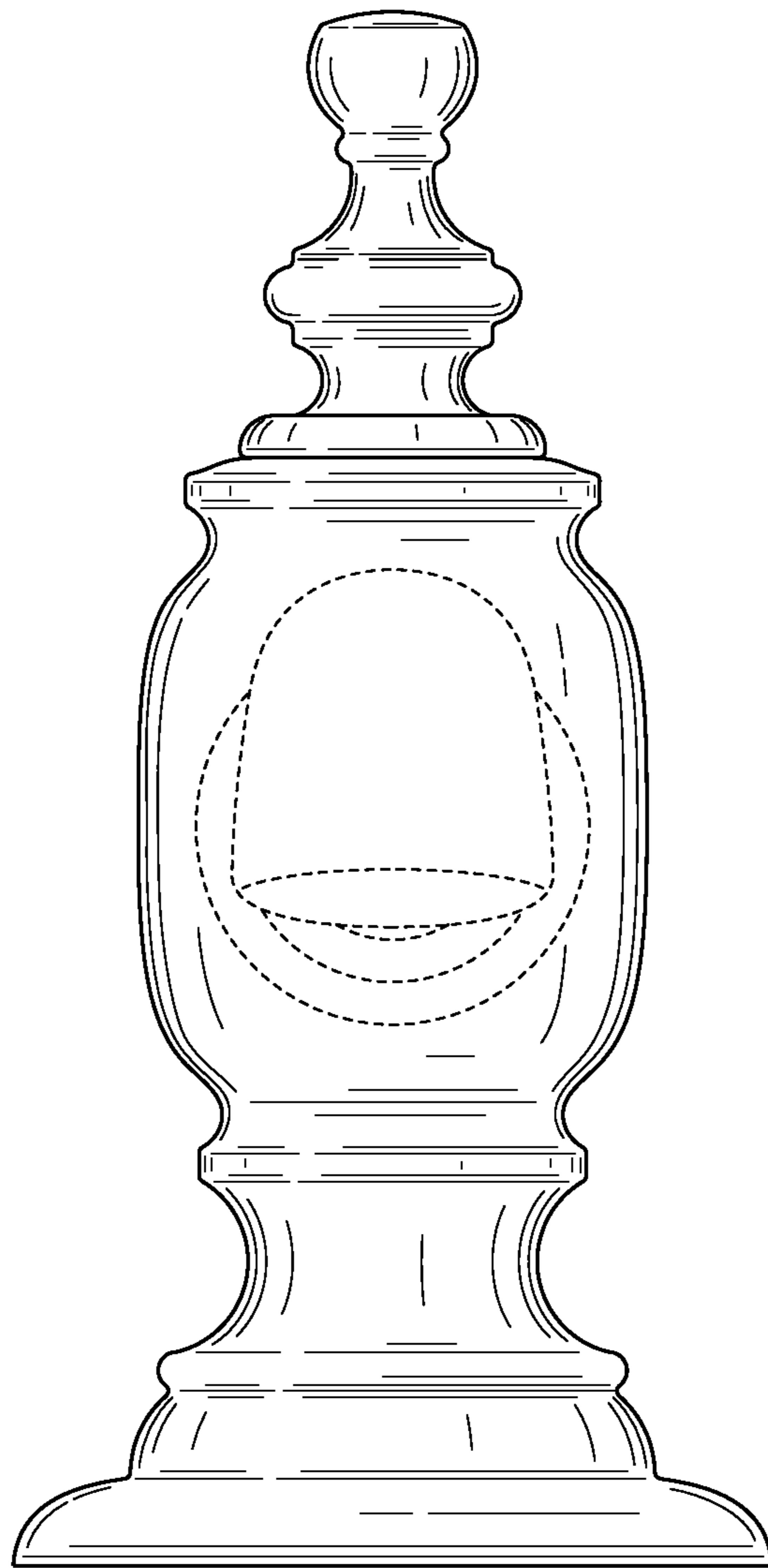


FIG. 2

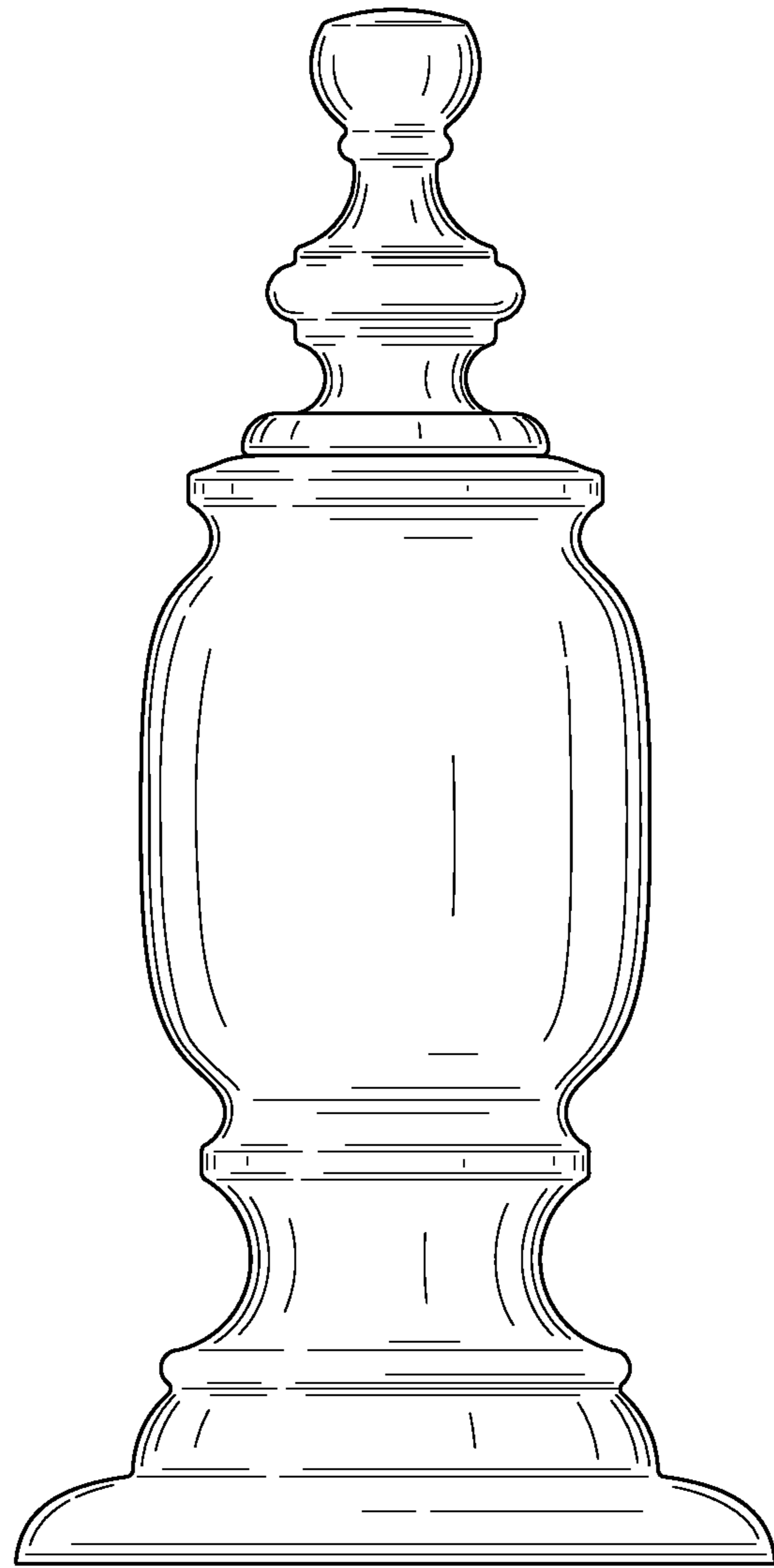


FIG. 3

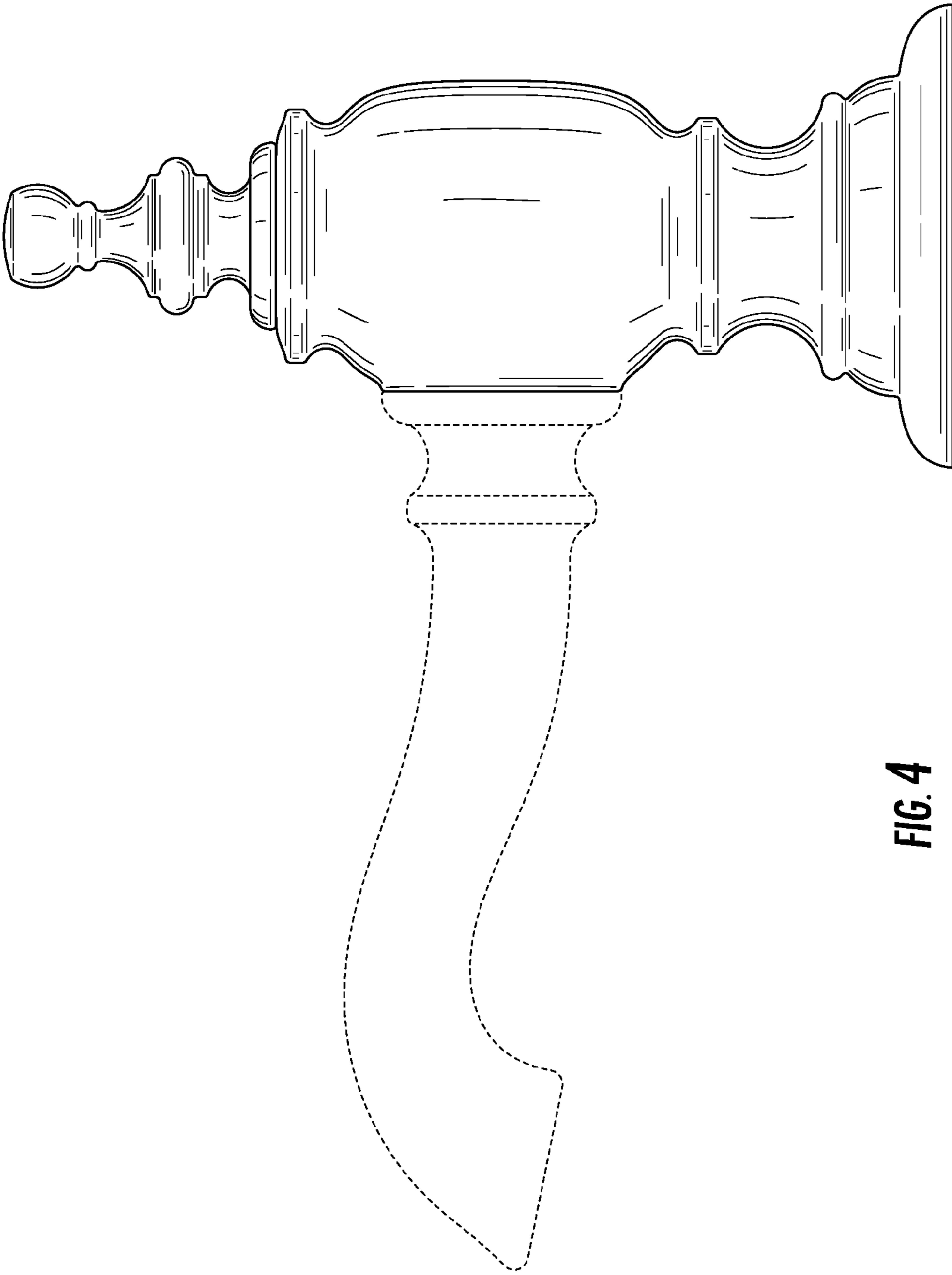


FIG. 4

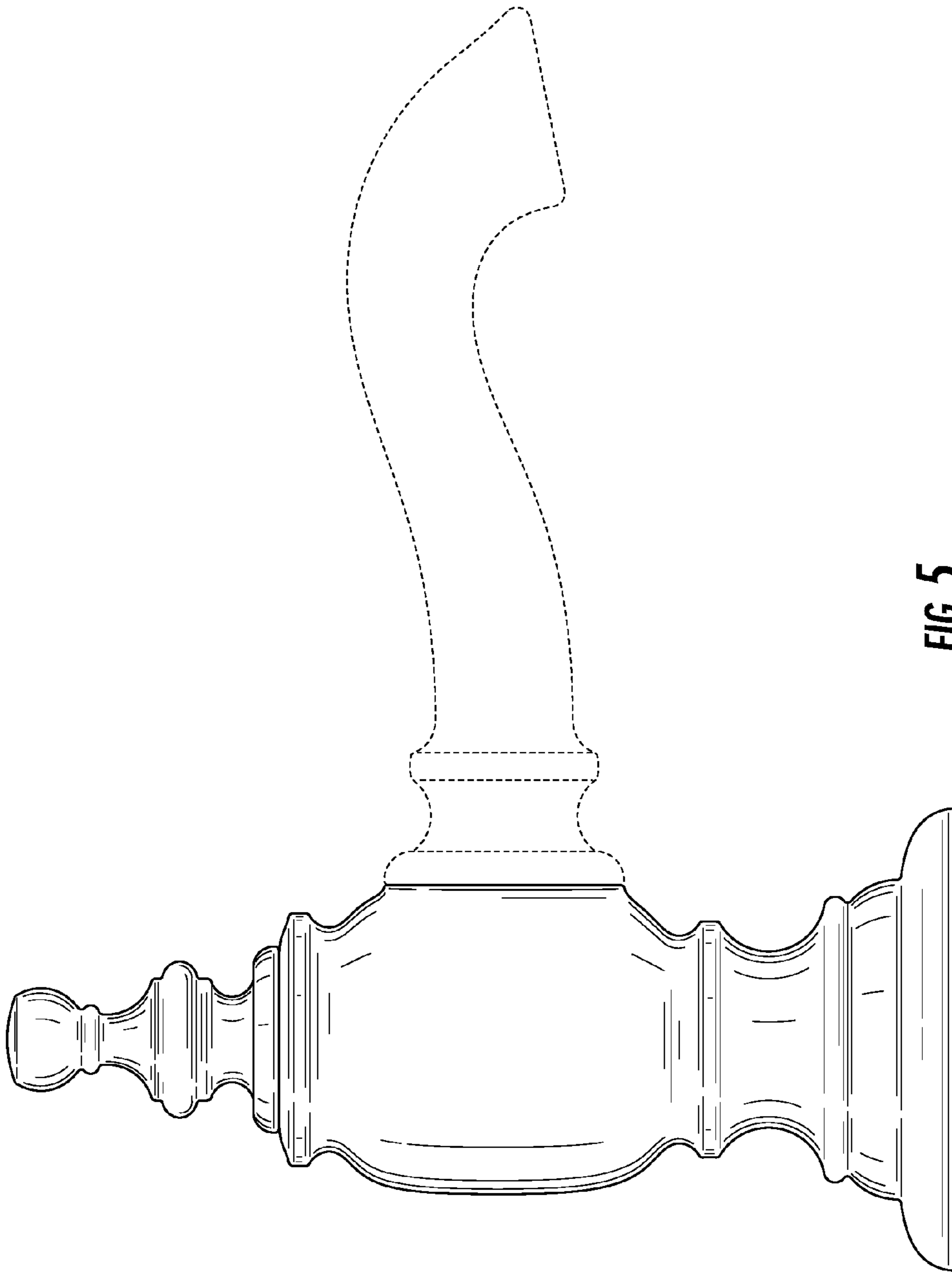


FIG. 5

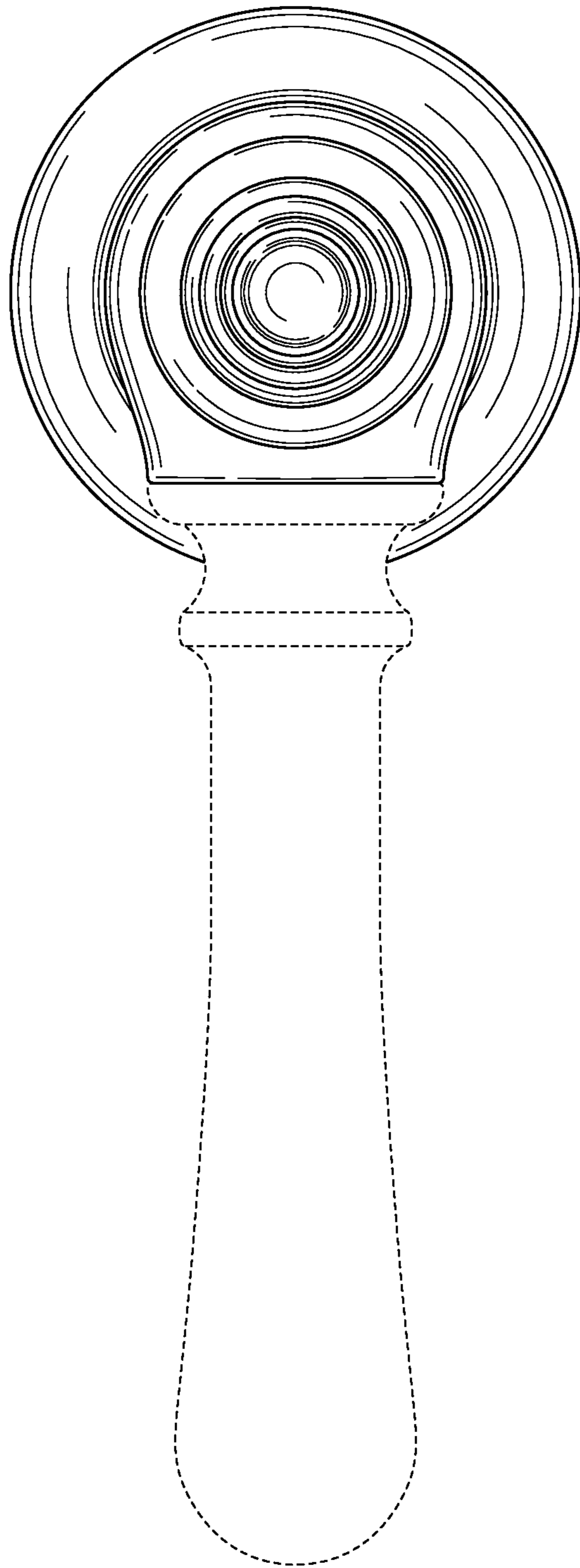


FIG. 6

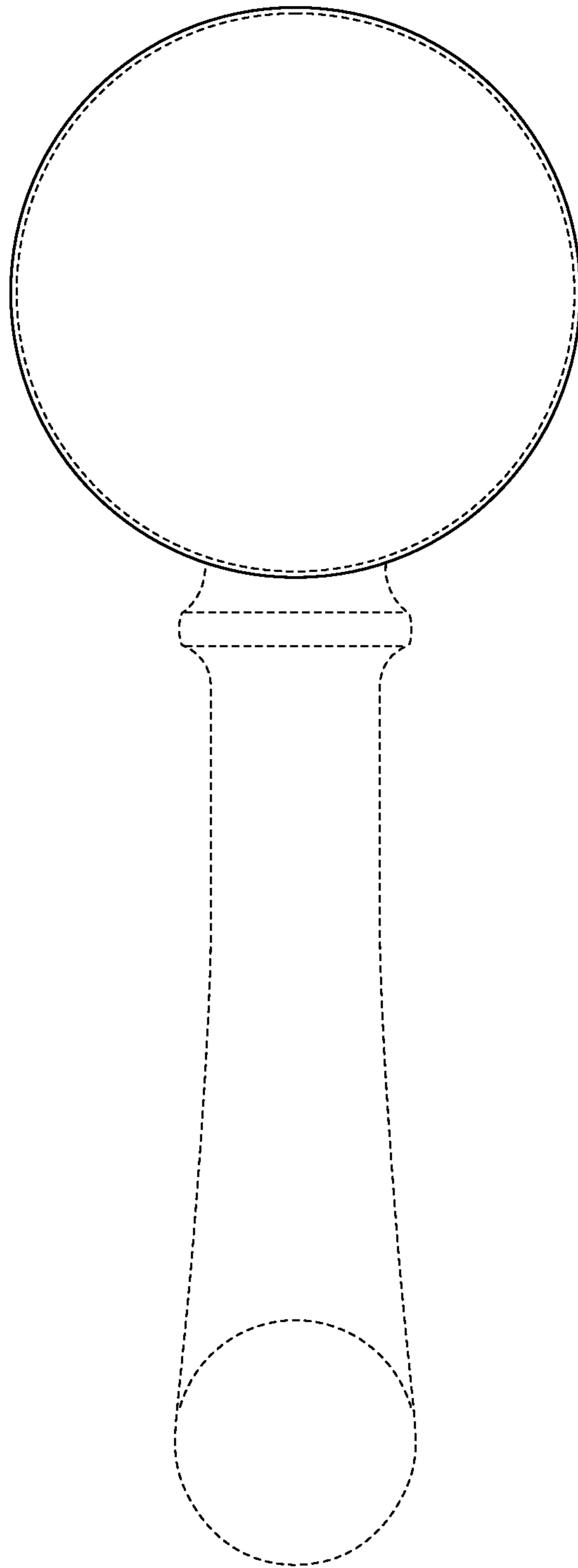


FIG. 7