



US00D717916S

(12) **United States Design Patent**  
**Fritz**

(10) **Patent No.:** **US D717,916 S**

(45) **Date of Patent:** **\*\* Nov. 18, 2014**

(54) **FAUCET**

(71) Applicant: **Masco Corporation of Indiana,**  
Indianapolis, IN (US)

(72) Inventor: **Seth Fritz,** Carmel, IN (US)

(73) Assignee: **Masco Corporation of Indiana,**  
Indianapolis, IN (US)

(\*\*) Term: **14 Years**

(21) Appl. No.: **29/484,847**

(22) Filed: **Mar. 13, 2014**

(51) **LOC (10) Cl.** ..... **23-01**

(52) **U.S. Cl.**  
USPC ..... **D23/242**

(58) **Field of Classification Search**  
USPC ..... D23/238, 241-243, 257; 4/675-678;  
137/801

See application file for complete search history.

(56) **References Cited**

**U.S. PATENT DOCUMENTS**

D409,288 S \* 5/1999 Hyde ..... D23/250  
6,317,905 B1 \* 11/2001 Slothower ..... 4/678

D474,671 S \* 5/2003 Singtoroj et al. .... D8/301  
D492,009 S \* 6/2004 Egee ..... D23/255  
D596,716 S \* 7/2009 Haug et al. .... D23/254  
D644,303 S \* 8/2011 Slothower et al. .... D23/252  
D694,369 S \* 11/2013 Mendoza et al. .... D23/242  
D705,400 S \* 5/2014 Georgeson et al. .... D23/252

\* cited by examiner

*Primary Examiner* — Robert Delehanty

(74) *Attorney, Agent, or Firm* — Edgar A. Zarins; Nirav D. Parikh

(57) **CLAIM**

The ornamental design for a faucet, as shown and described.

**DESCRIPTION**

FIG. 1 is a perspective view of a faucet showing my new design;

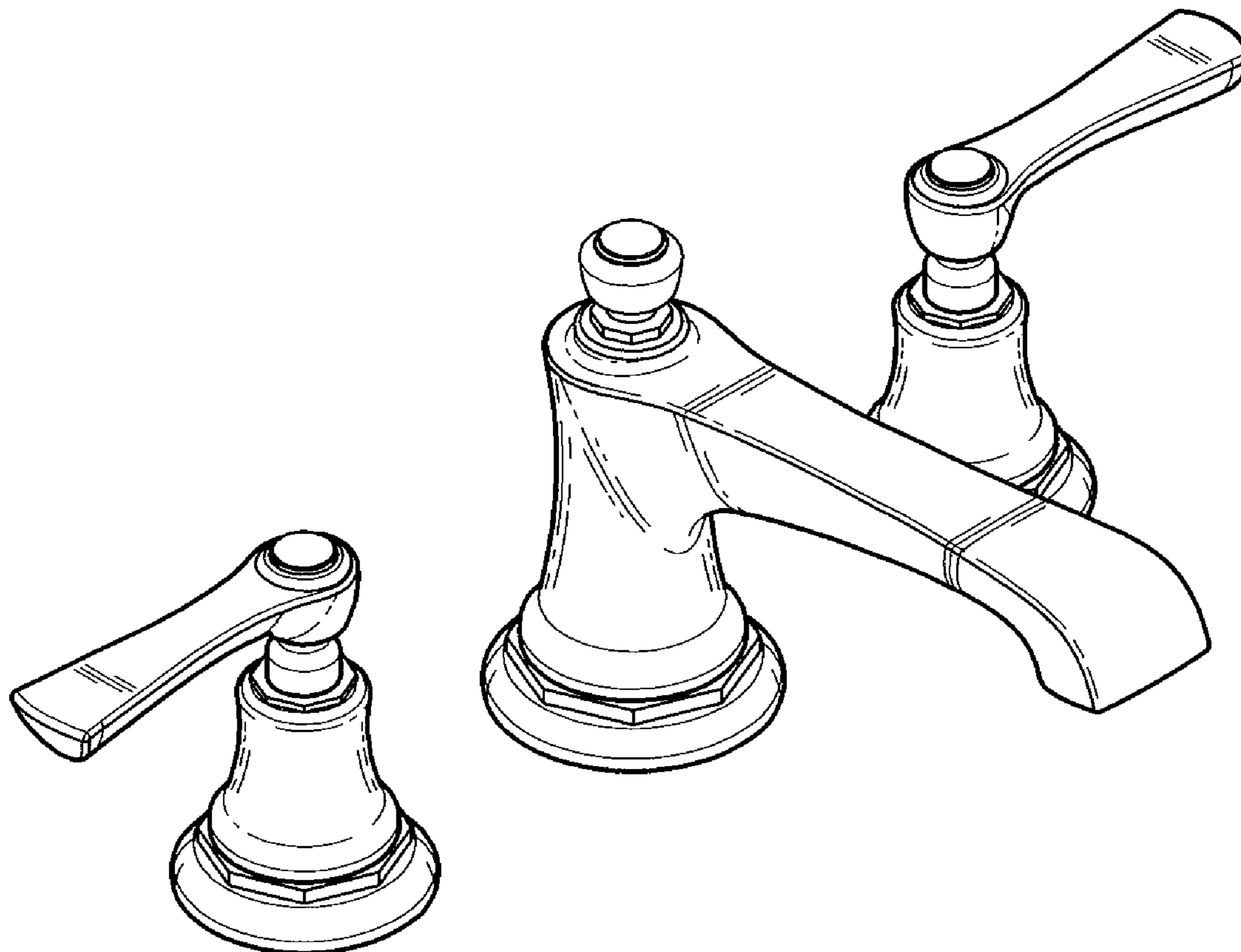
FIG. 2 is a top plan view thereof;

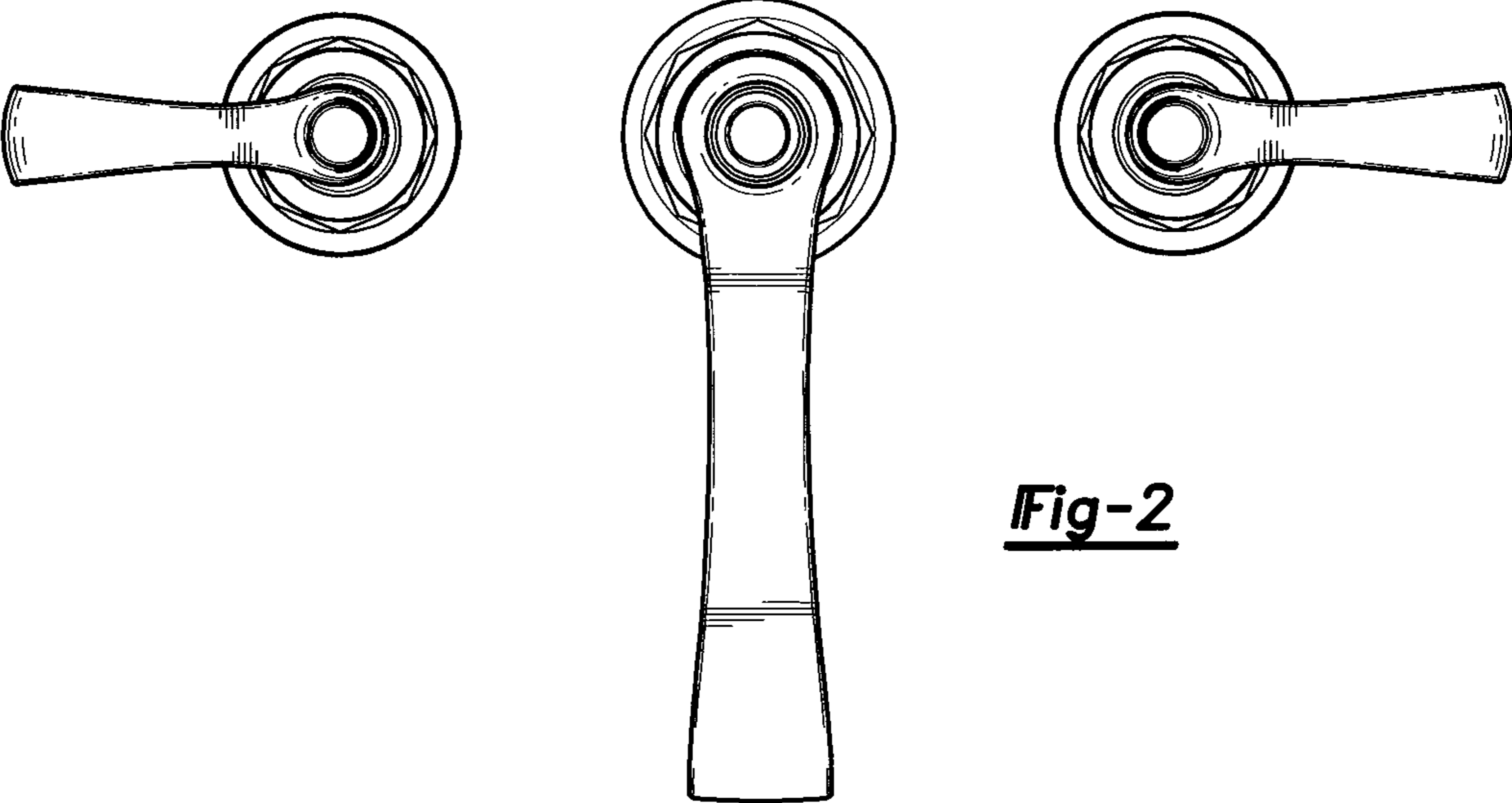
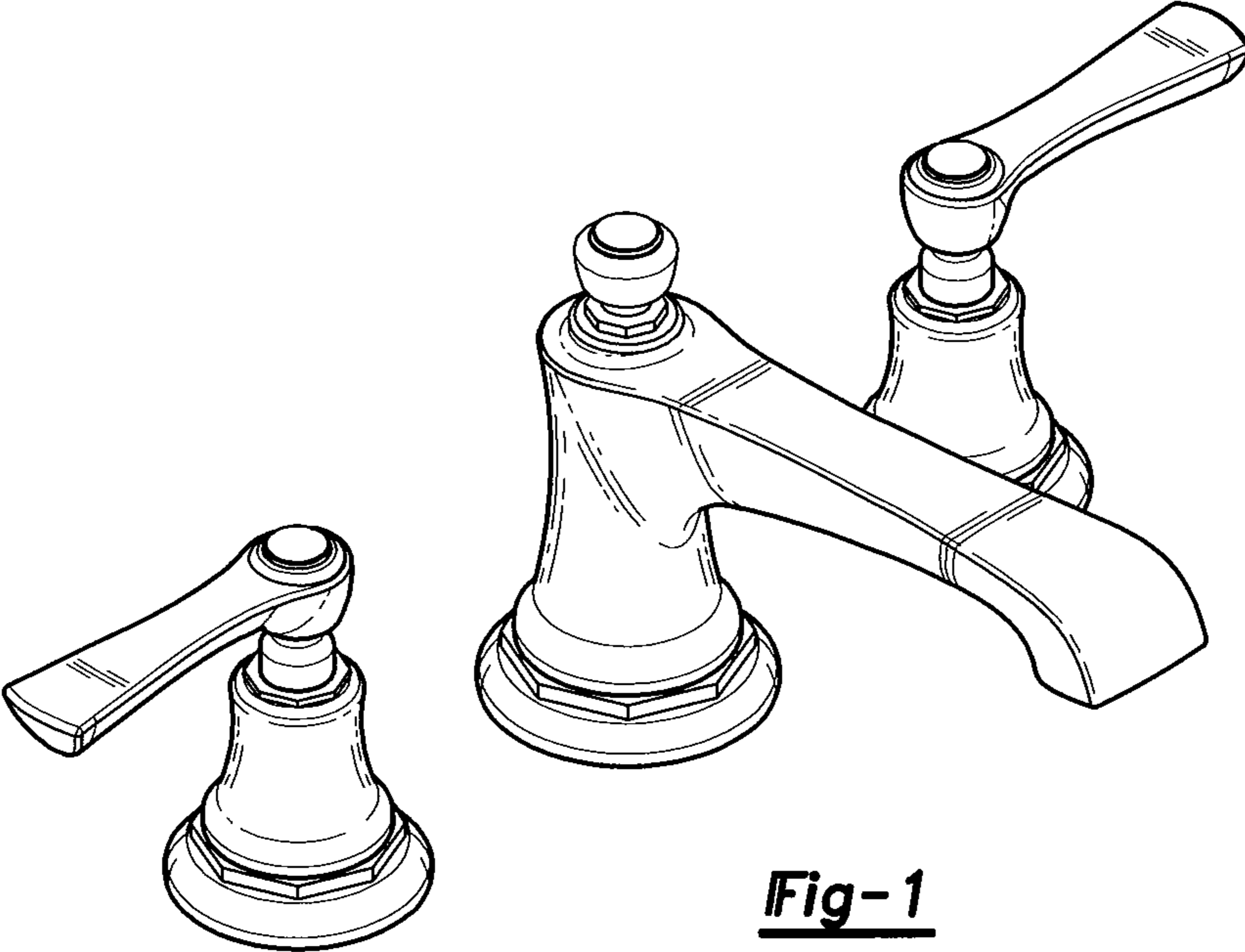
FIG. 3 is a front elevational view thereof;

FIG. 4 is a right side view thereof, the opposite side being a mirror image of the side shown; and,

FIG. 5 is a bottom view thereof.

**1 Claim, 2 Drawing Sheets**





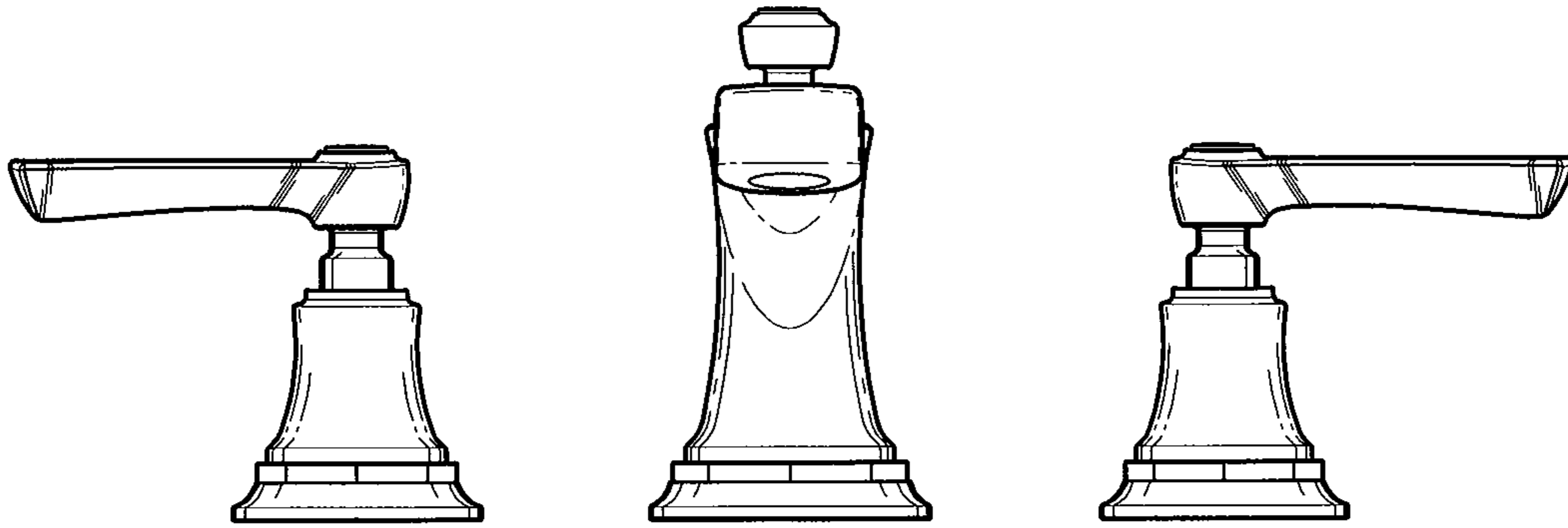


Fig-3

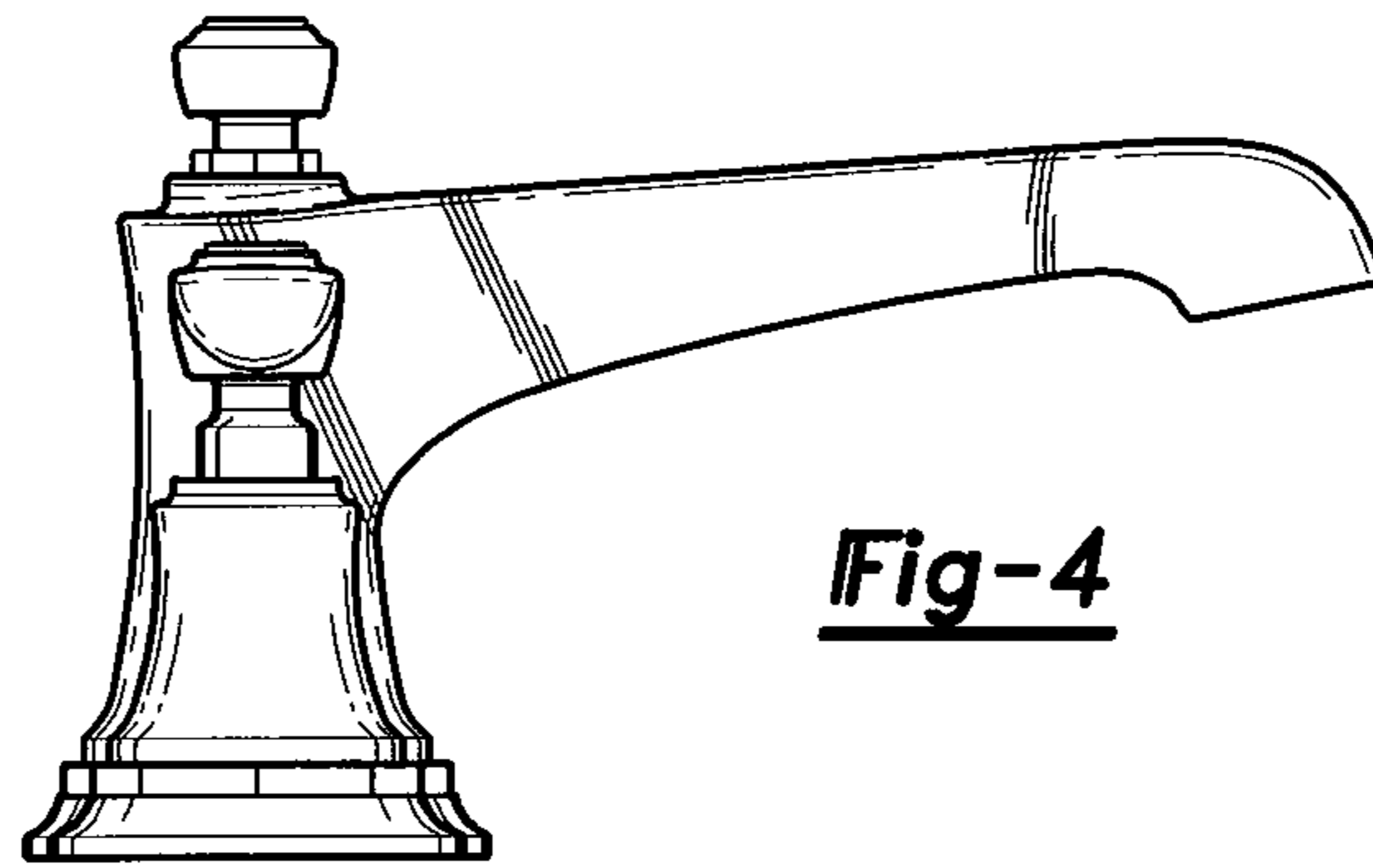


Fig-4

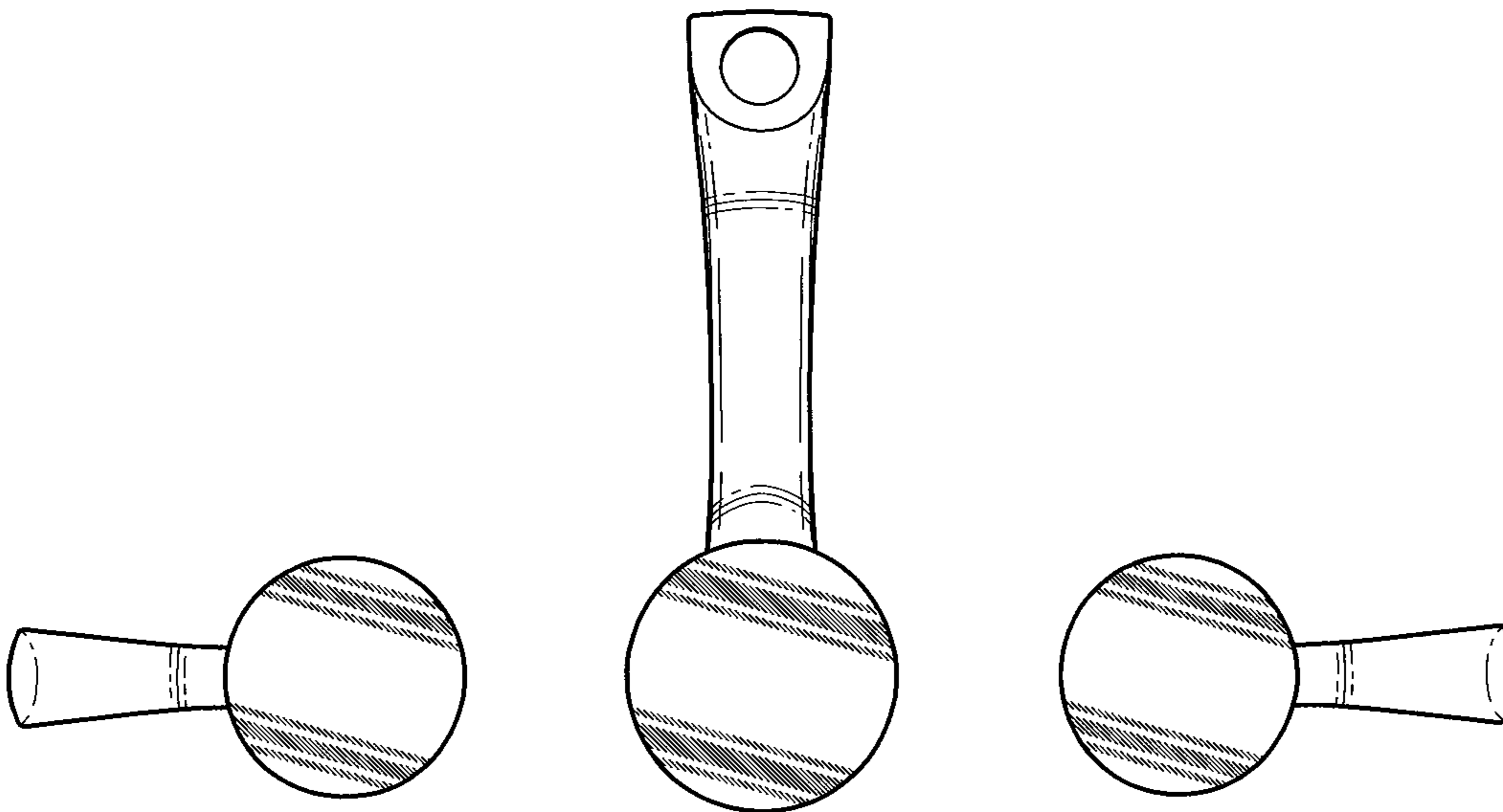


Fig-5