



US00D717913S

(12) **United States Design Patent**
Lin

(10) **Patent No.:** **US D717,913 S**
(45) **Date of Patent:** **** Nov. 18, 2014**

(54) **OIL SEPARATING CAN**

D554,229 S * 10/2007 Starr D23/211
D562,429 S * 2/2008 Morris D23/209
D678,784 S * 3/2013 Aranha D9/772

(71) Applicant: **Pro-Pure Incorporation**, New Taipei
(TW)

* cited by examiner

(72) Inventor: **Hsiang-Chi Lin**, New Taipei (TW)

Primary Examiner — Robin V Webster

(73) Assignee: **Pro-Pure Incorporation**, New Taipei
(TW)

(74) *Attorney, Agent, or Firm* — Muncy, Geissler, Olds &
Lowe, P.C.

(**) Term: **14 Years**

(57) **CLAIM**

I claim the ornamental design for an oil separating can, as shown and described.

(21) Appl. No.: **29/434,464**

(22) Filed: **Oct. 12, 2012**

DESCRIPTION

(51) **LOC (10) Cl.** **23-01**

(52) **U.S. Cl.**

USPC **D23/211**; D15/152; D9/772

(58) **Field of Classification Search**

USPC D23/209, 211; D9/500, 503, 505, 772,
D9/779, 780; D15/150–152; 210/767

See application file for complete search history.

FIG. 1 is a perspective view of an oil separating can showing my new design;

FIG. 2 is a front view thereof;

FIG. 3 is a back view thereof;

FIG. 4 is a left side view thereof;

FIG. 5 is a right side view thereof;

FIG. 6 is a top plan view thereof; and,

FIG. 7 is a bottom plan view thereof.

The broken line showing is for the purpose of illustrating portions of the article which form no part of the claimed design.

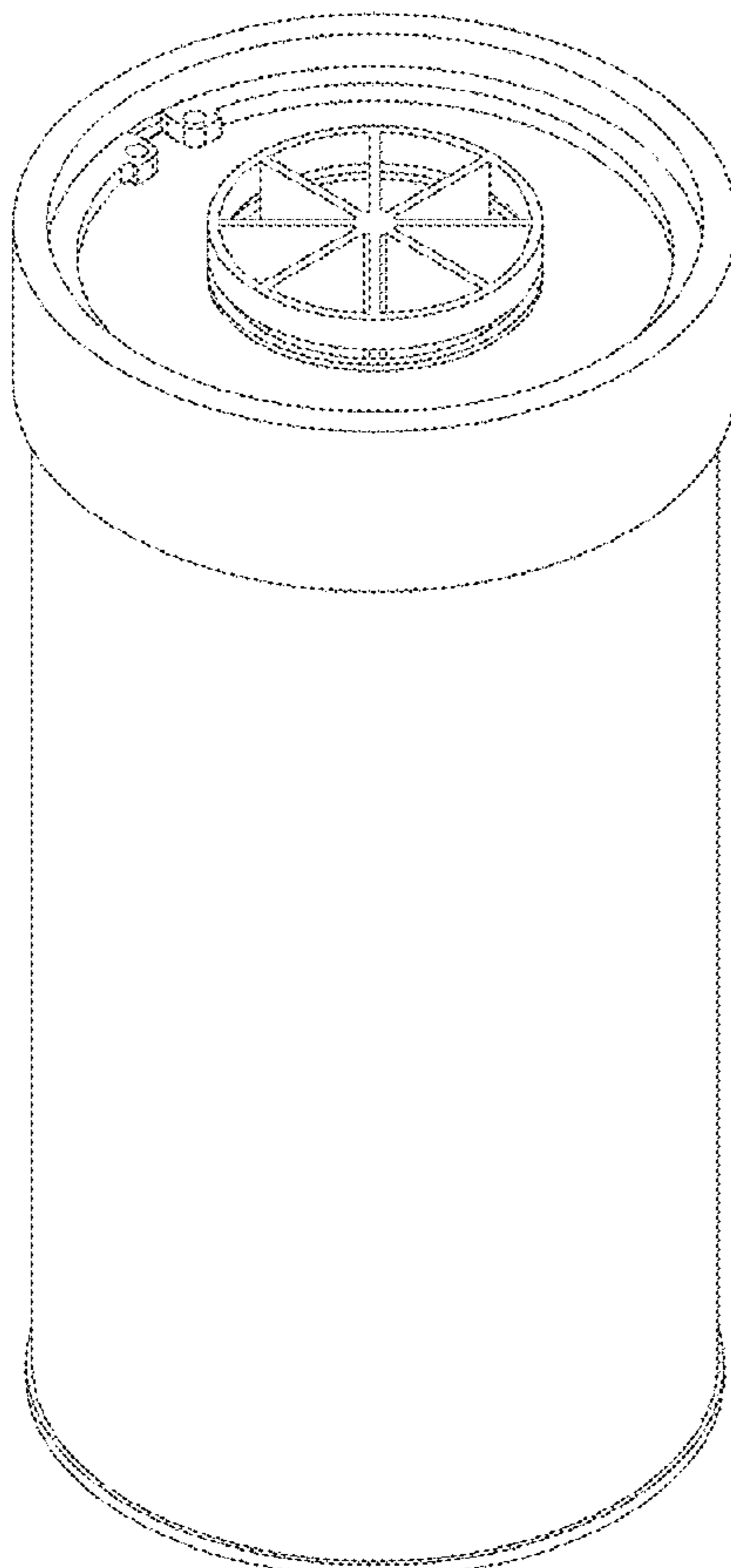
(56) **References Cited**

U.S. PATENT DOCUMENTS

D404,640 S * 1/1999 Dunnegan et al. D15/152

D444,385 S * 7/2001 Dixon D9/772

1 Claim, 7 Drawing Sheets



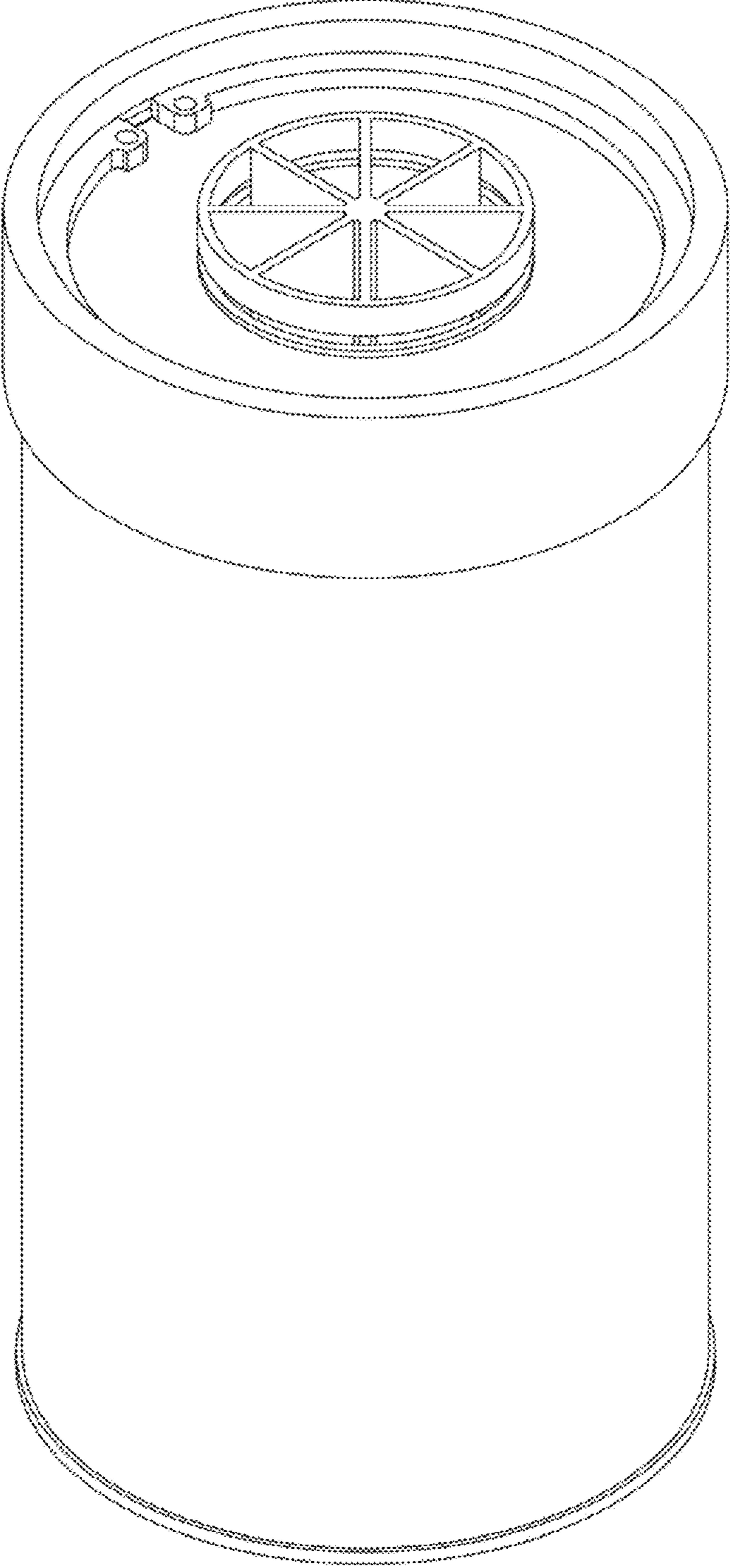


FIG. 1

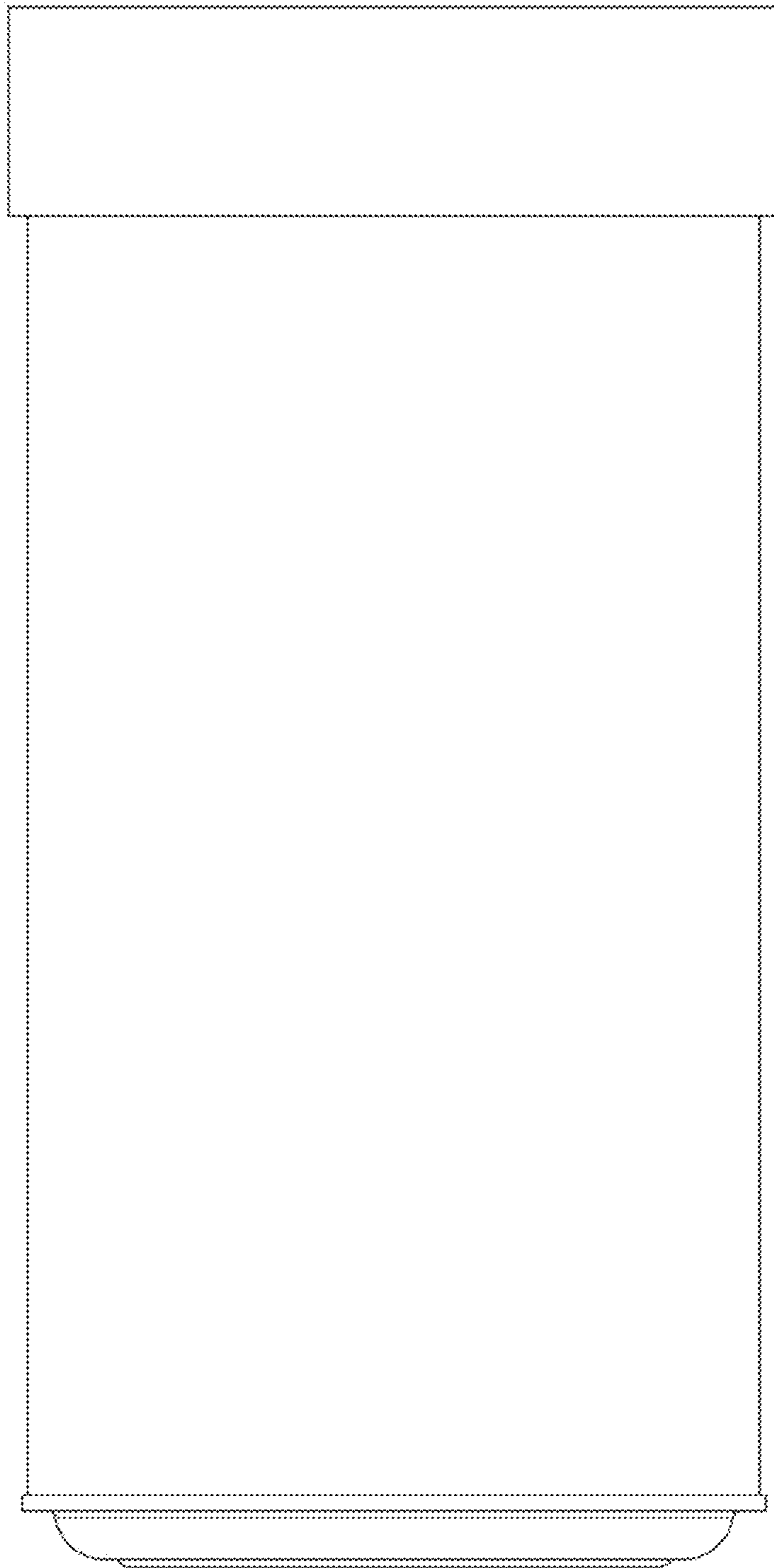


FIG. 2

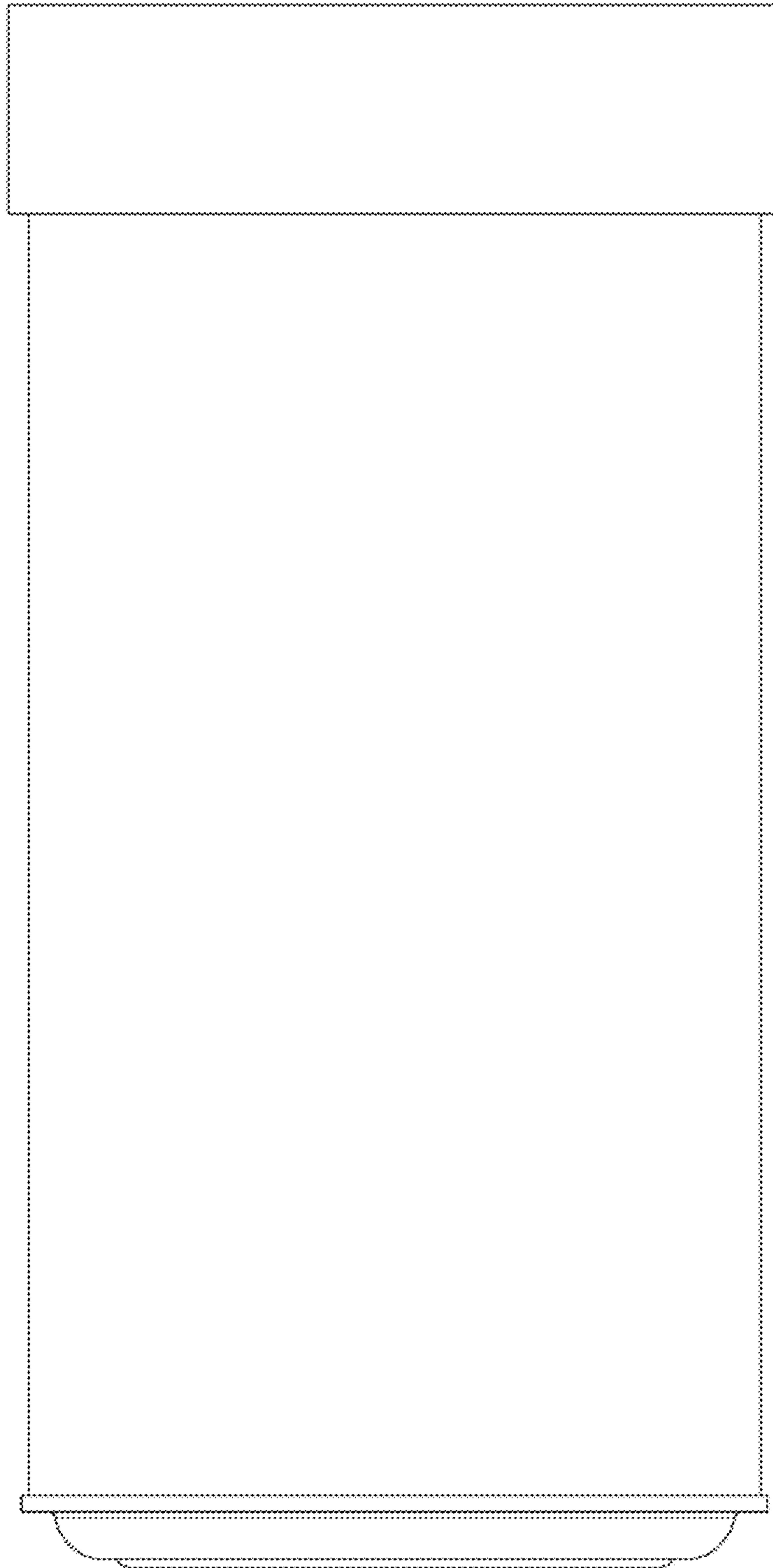


FIG. 3

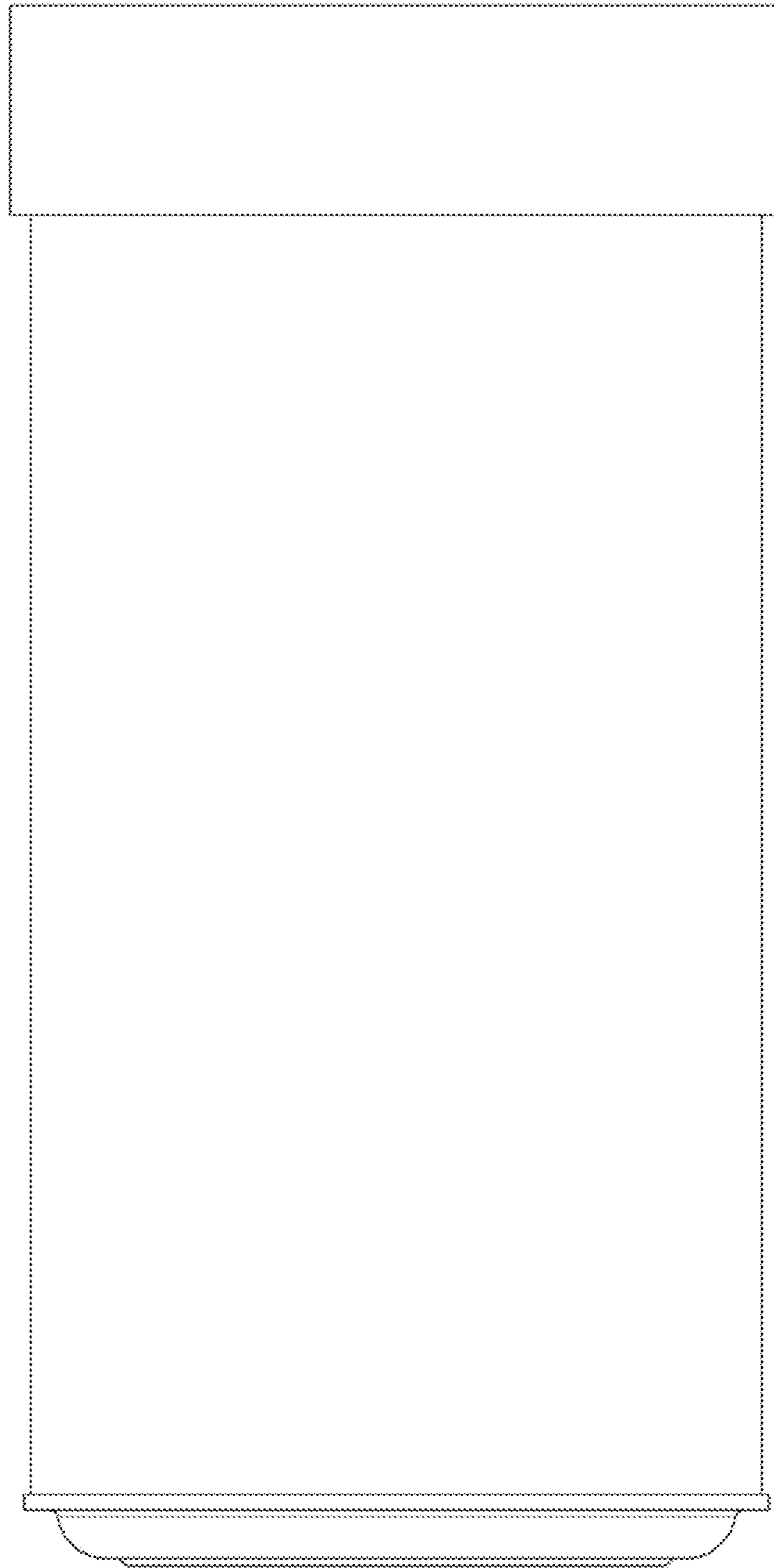


FIG. 4

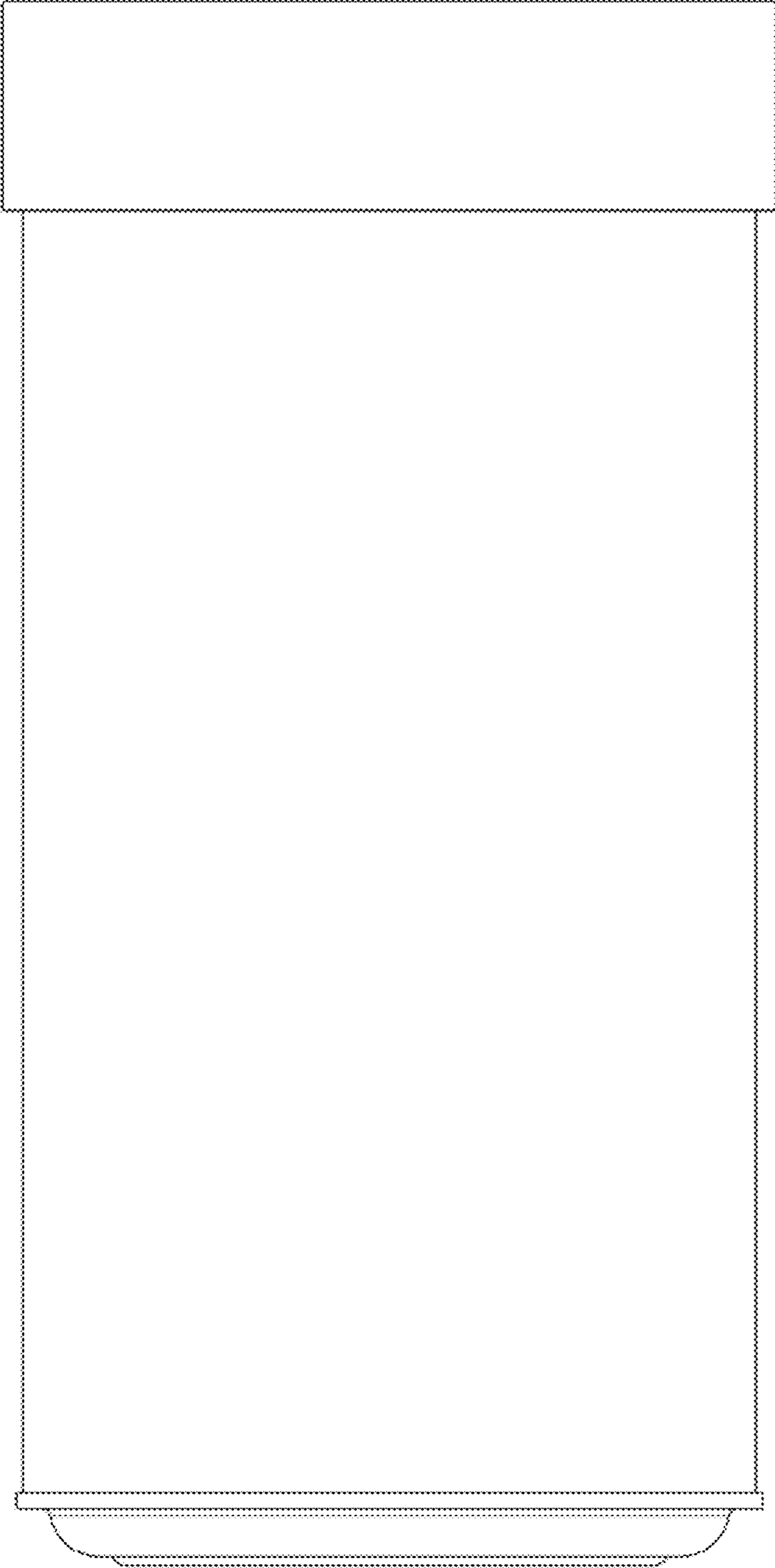


FIG.5

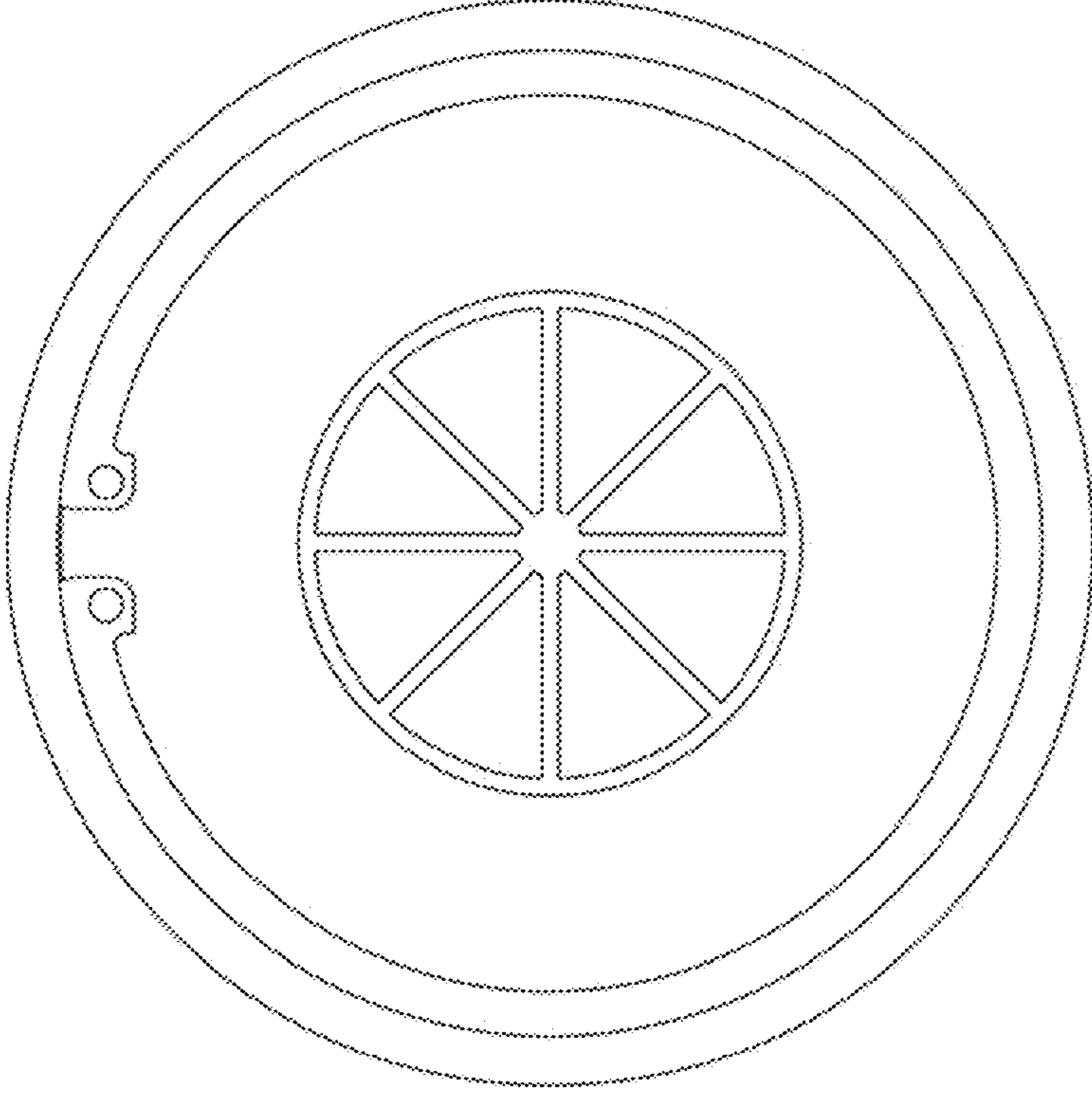


FIG.6

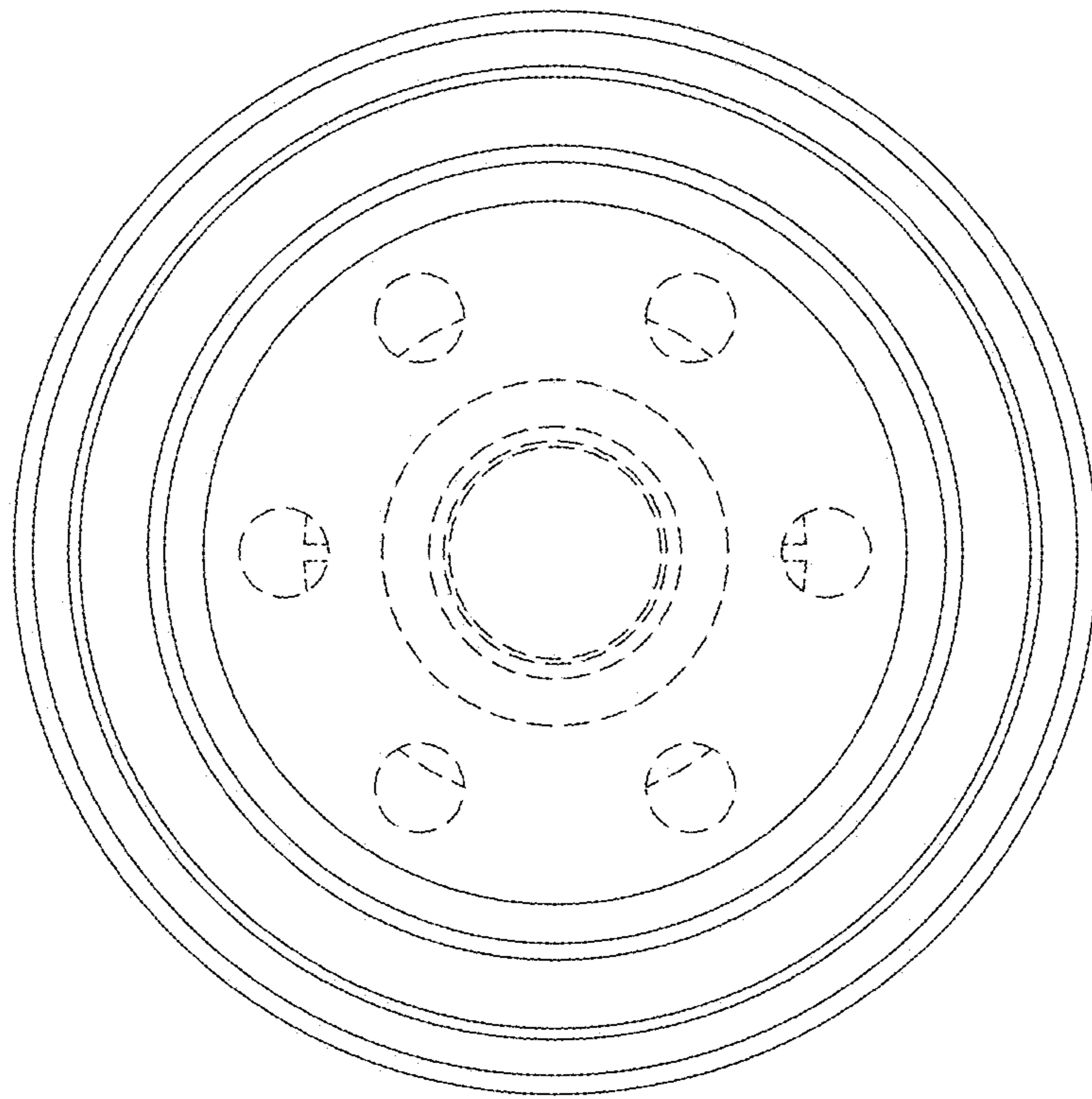


FIG.7