



US00D717911S

(12) **United States Design Patent**
Moon et al.

(10) **Patent No.:** **US D717,911 S**
(45) **Date of Patent:** **** Nov. 18, 2014**

(54) **WATER PURIFIER**

(71) Applicant: **Clover Co., Ltd.**, Gyeonggi-do (KR)

(72) Inventors: **Young Mu Moon**, Gyeonggi-do (KR);
Ki Jung Lim, Gyeonggi-do (KR); **Yoo Jin Hwang**, Busan (KR)

(73) Assignee: **Clover Co., Ltd.**, Gyeonggi-do (KR)

(**) Term: **14 Years**

(21) Appl. No.: **29/451,810**

(22) Filed: **Apr. 9, 2013**

(51) **LOC (10) Cl.** **23-01**

(52) **U.S. Cl.**
USPC **D23/207; D7/311**

(58) **Field of Classification Search**
USPC D23/207, 209; 210/241, 435;
D7/311-312
See application file for complete search history.

(56) **References Cited**

U.S. PATENT DOCUMENTS

D412,550 S * 8/1999 Bell D23/207
D473,281 S * 4/2003 Jansson et al. D23/207

D486,880 S * 2/2004 Gracias et al. D23/207
D506,525 S * 6/2005 Wang D23/207
D667,674 S * 9/2012 Wilder et al. D7/306
D669,154 S * 10/2012 Choi D23/207
D674,874 S * 1/2013 Mueller et al. D23/207
D683,421 S * 5/2013 Choi D23/207
D683,422 S * 5/2013 Choi D23/207
D703,477 S * 4/2014 Celli et al. D7/306
D703,991 S * 5/2014 Porat et al. D7/306

* cited by examiner

Primary Examiner — Robin V Webster

(74) *Attorney, Agent, or Firm* — Occhiuti & Rohlicek LLP

(57) **CLAIM**

The ornamental design for a water purifier, as shown and described.

DESCRIPTION

FIG. 1 is a perspective view of the water purifier.

FIG. 2 is a front view thereof.

FIG. 3 is a rear view thereof.

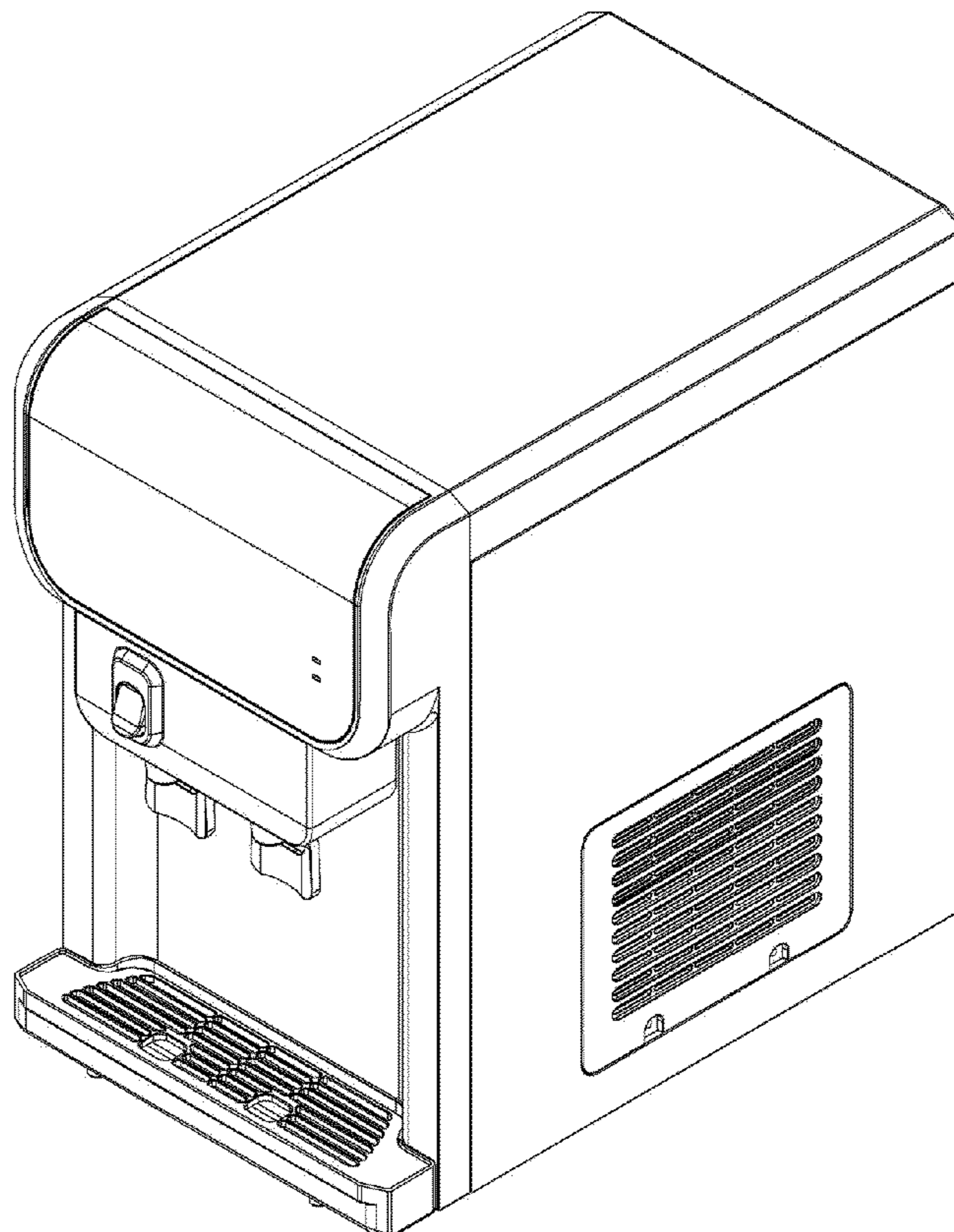
FIG. 4 is a side view thereof.

FIG. 5 is an opposite side view thereof.

FIG. 6 is a top view thereof; and,

FIG. 7 is a bottom view thereof.

1 Claim, 7 Drawing Sheets



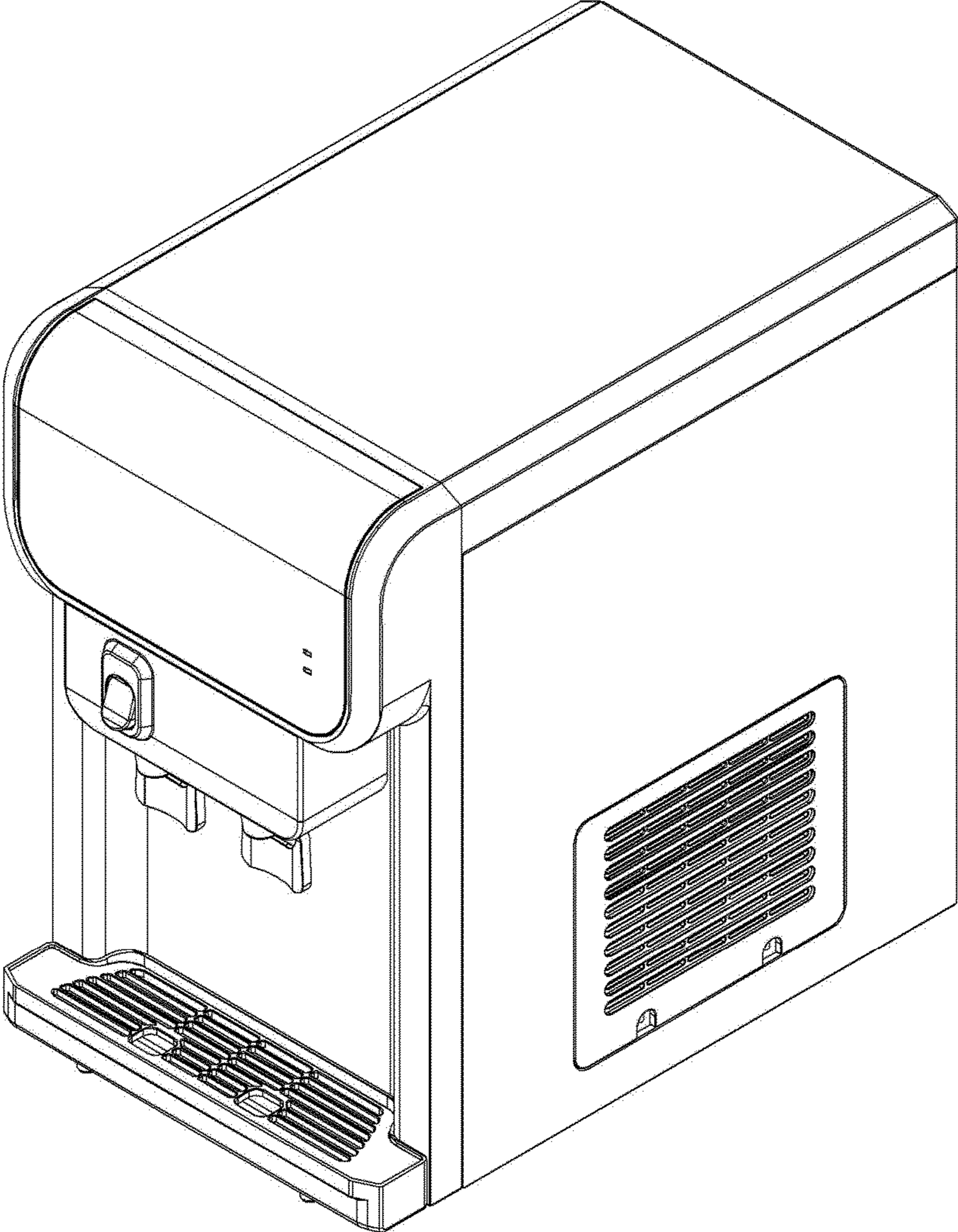


Fig. 1

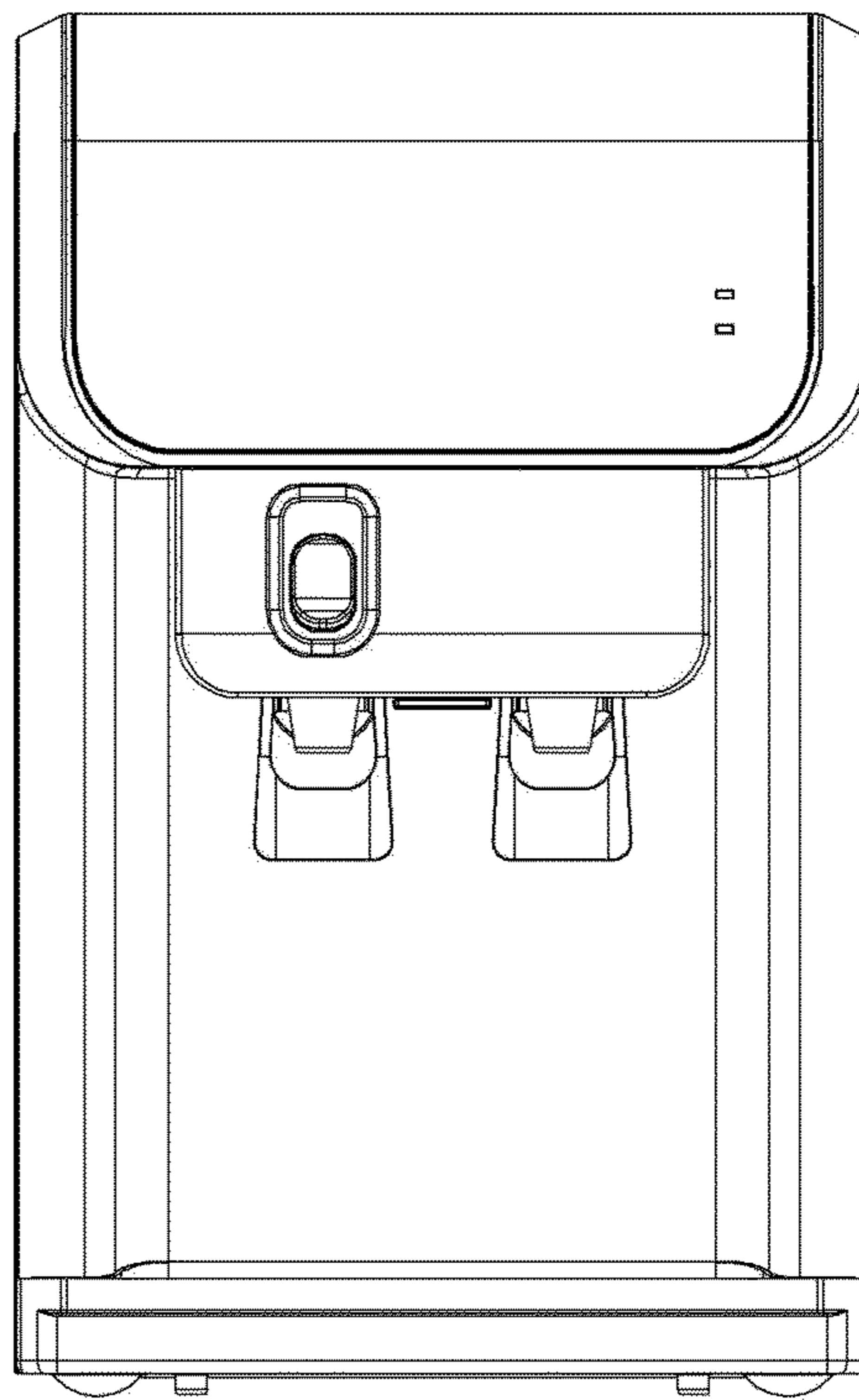


Fig. 2

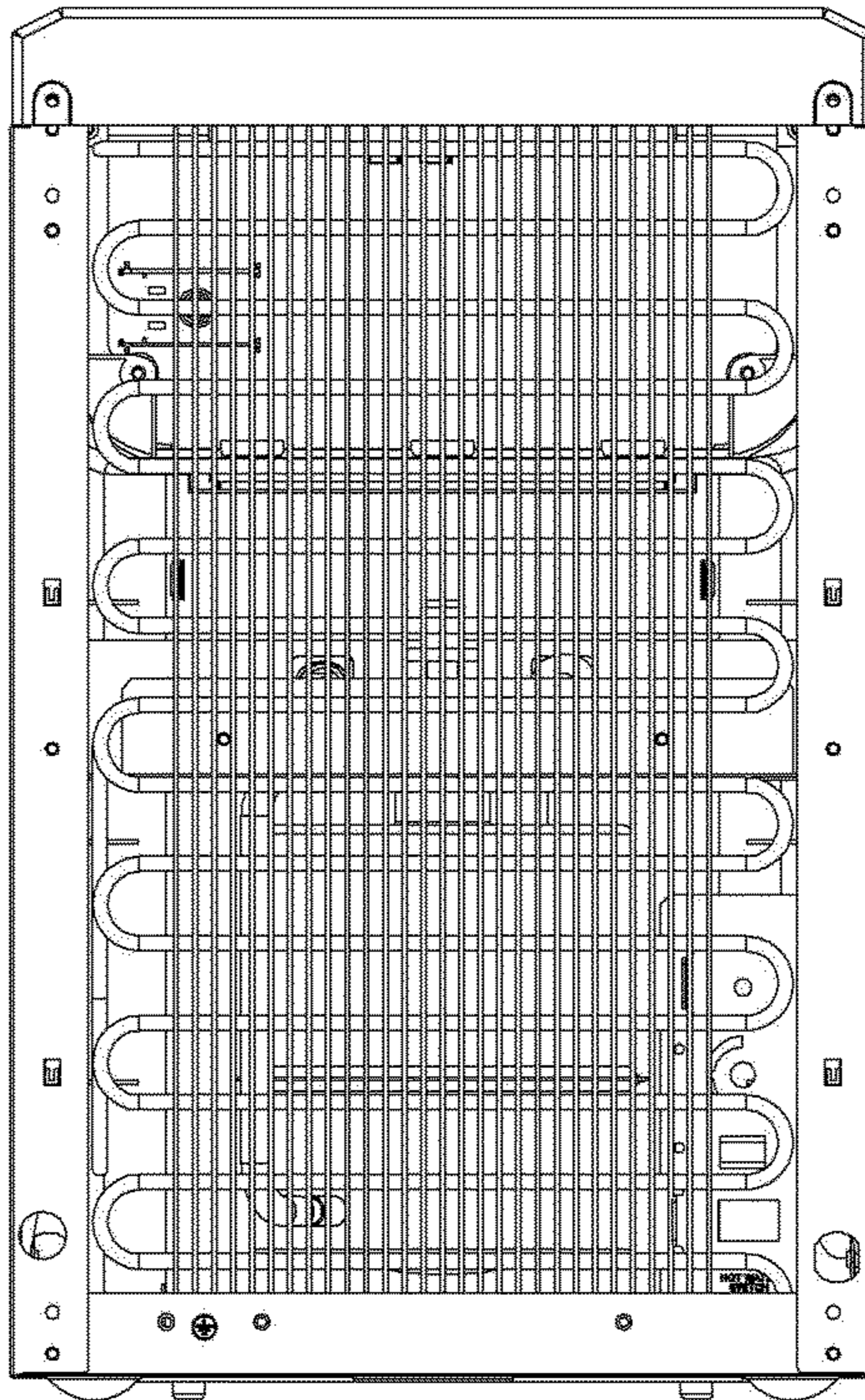


Fig. 3

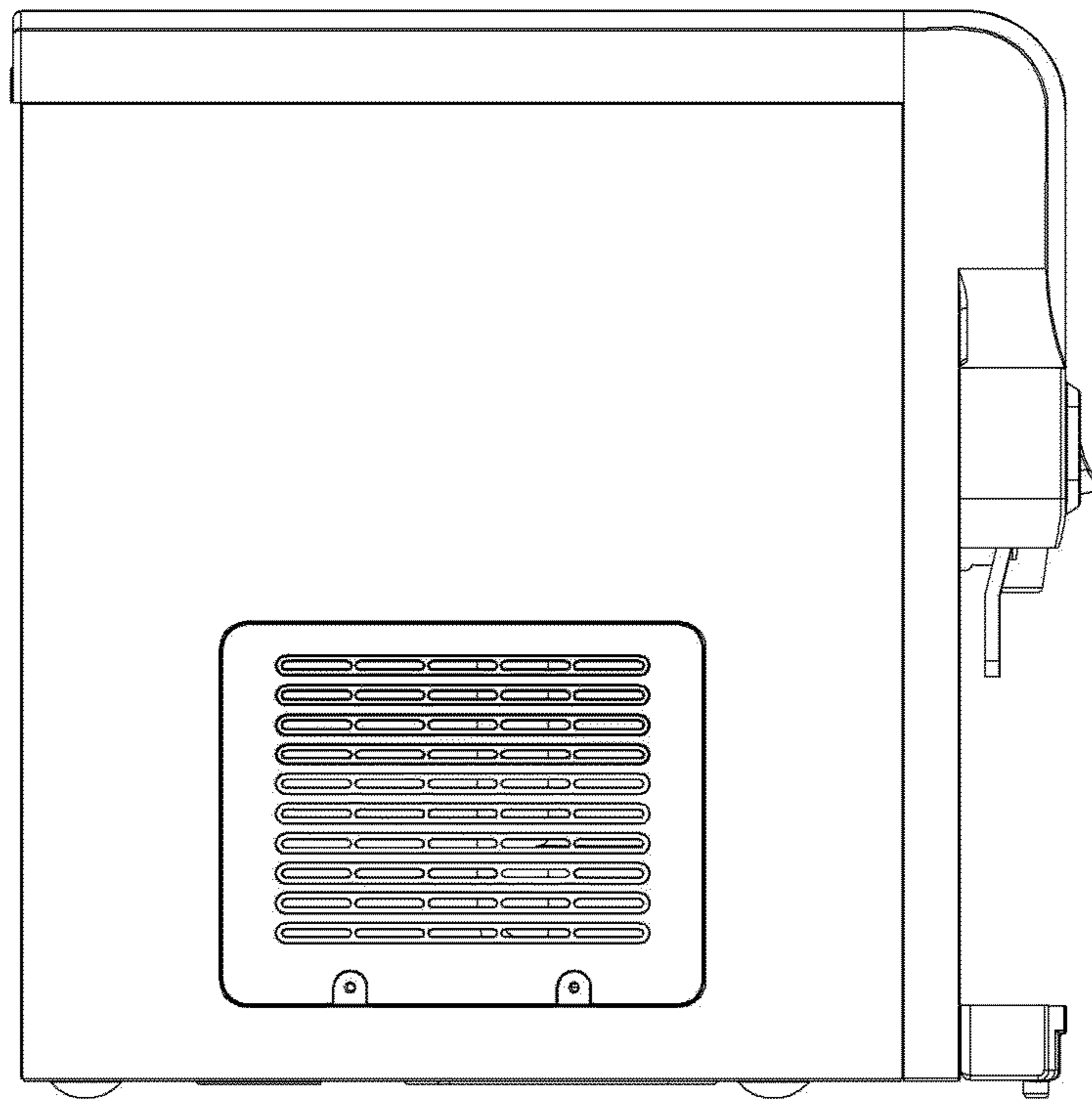


Fig. 4

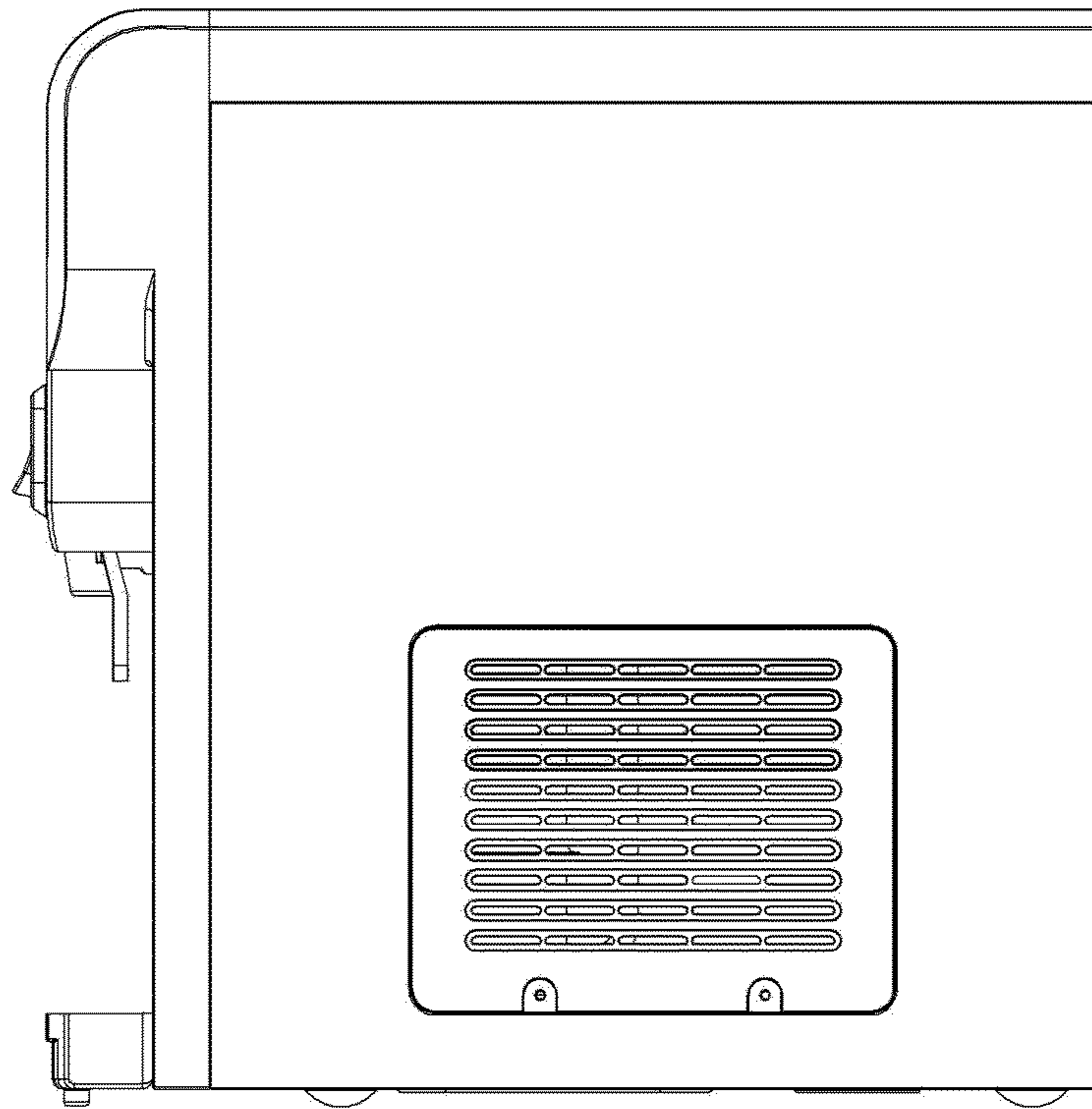


Fig. 5

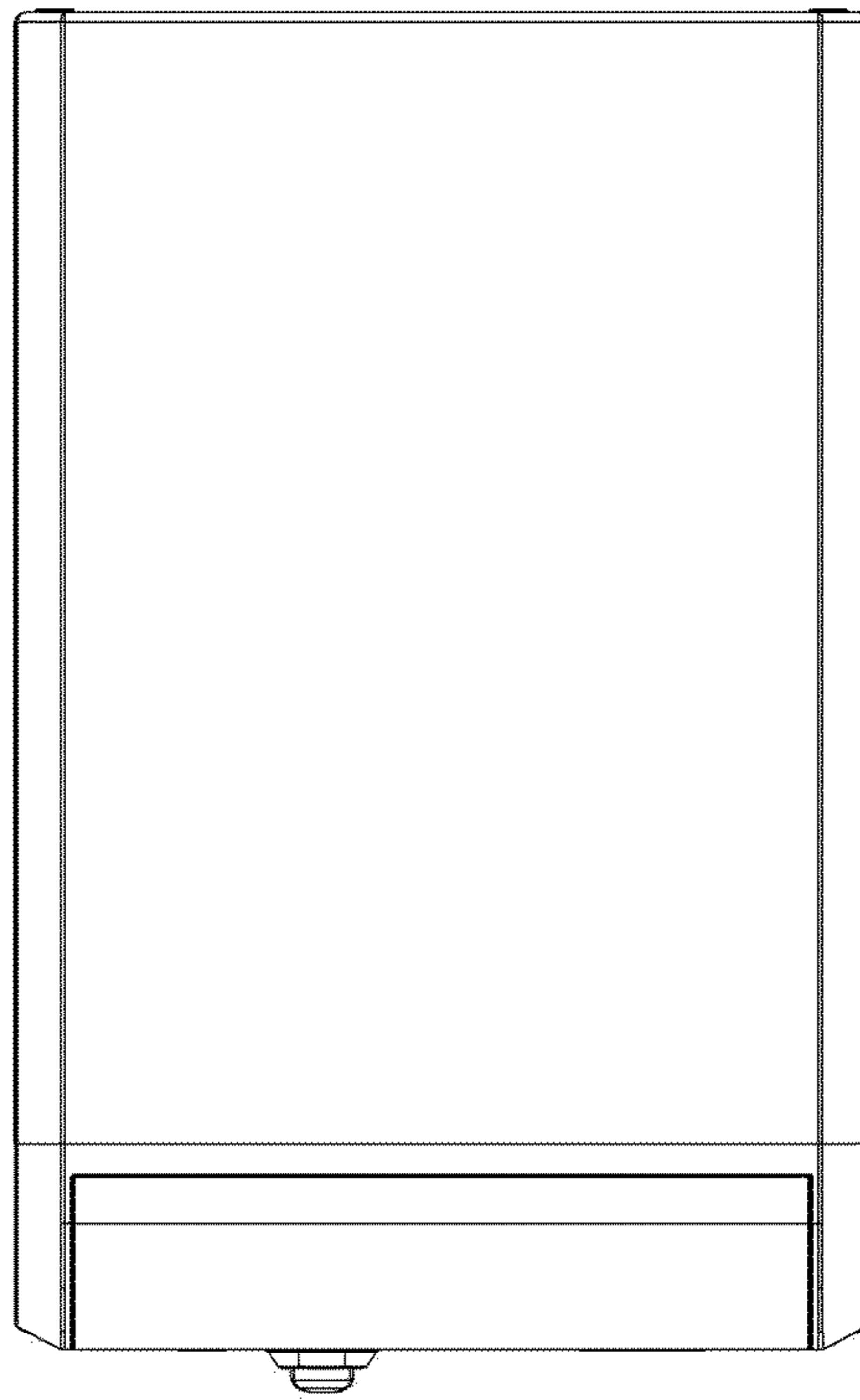


Fig. 6

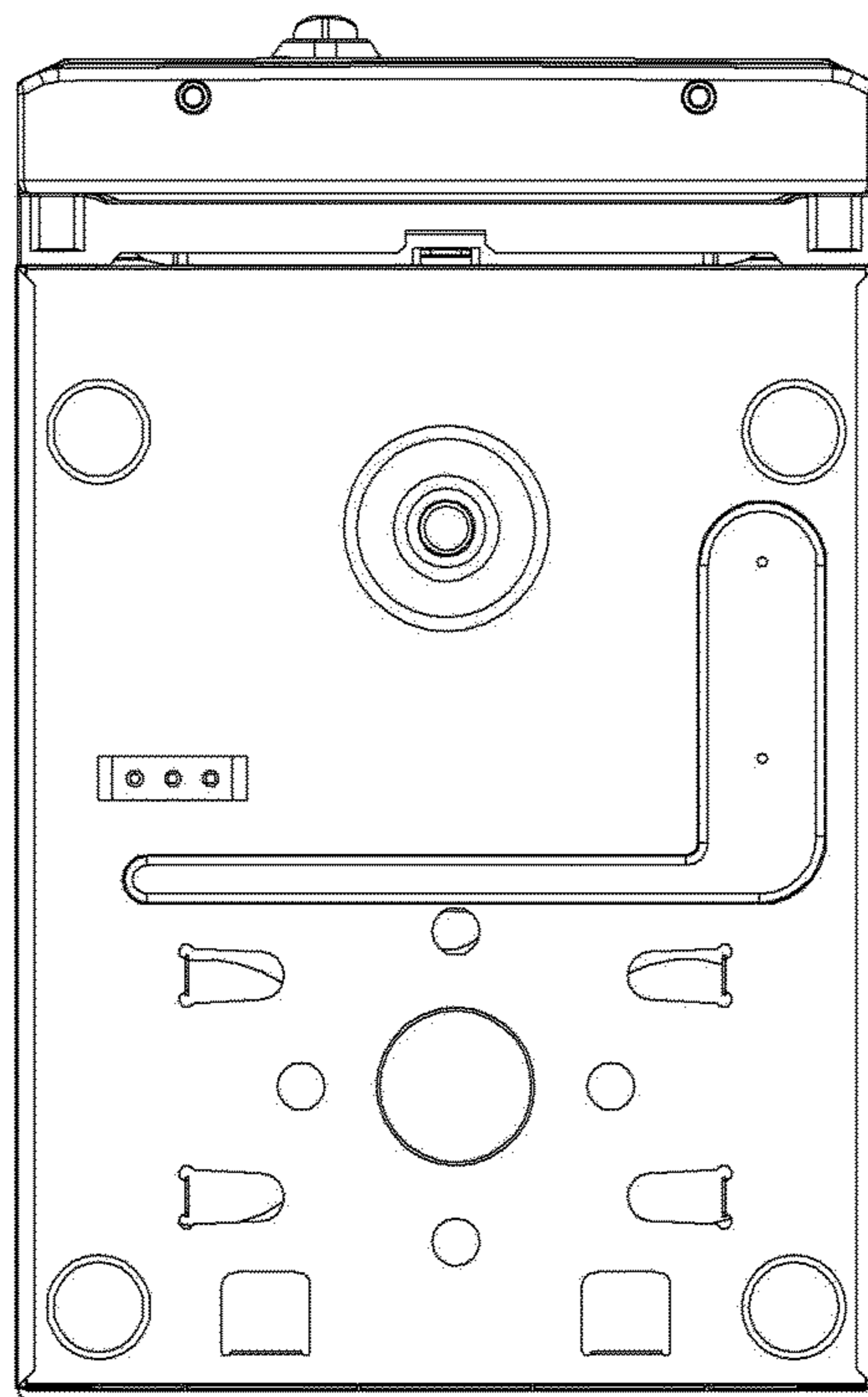


Fig. 7