

US00D717910S

(12) **United States Design Patent**
Mills

(10) **Patent No.:** **US D717,910 S**

(45) **Date of Patent:** **** Nov. 18, 2014**

(54) **GAME RACK**

(71) Applicant: **Stephen Mills**, Victoria, TX (US)

(72) Inventor: **Stephen Mills**, Victoria, TX (US)

(**) Term: **14 Years**

(21) Appl. No.: **29/453,544**

(22) Filed: **Apr. 30, 2013**

(51) **LOC (10) Cl.** **22-99**

(52) **U.S. Cl.**
USPC **D22/199**

(58) **Field of Classification Search**
USPC D22/199; 294/74, 81.2, 81.5, 81.56, 97,
294/146, 153; 224/103, 259-260, 638, 921;
452/192

See application file for complete search history.

(56) **References Cited**

U.S. PATENT DOCUMENTS

- 3,188,130 A * 6/1965 Pietrowicz 294/74
- 4,243,164 A * 1/1981 Burlison et al. 294/146
- 5,901,999 A * 5/1999 Brock 294/153

- D462,416 S * 9/2002 Dallas, Sr. D22/199
- D509,881 S * 9/2005 Waltrip D22/199
- D603,014 S * 10/2009 Rice D22/199
- 8,592,696 B2 * 11/2013 Garner et al. 294/81.5

* cited by examiner

Primary Examiner — Catheri Oliver-Garcia

(74) *Attorney, Agent, or Firm* — QuickPatents; Kevin Prince

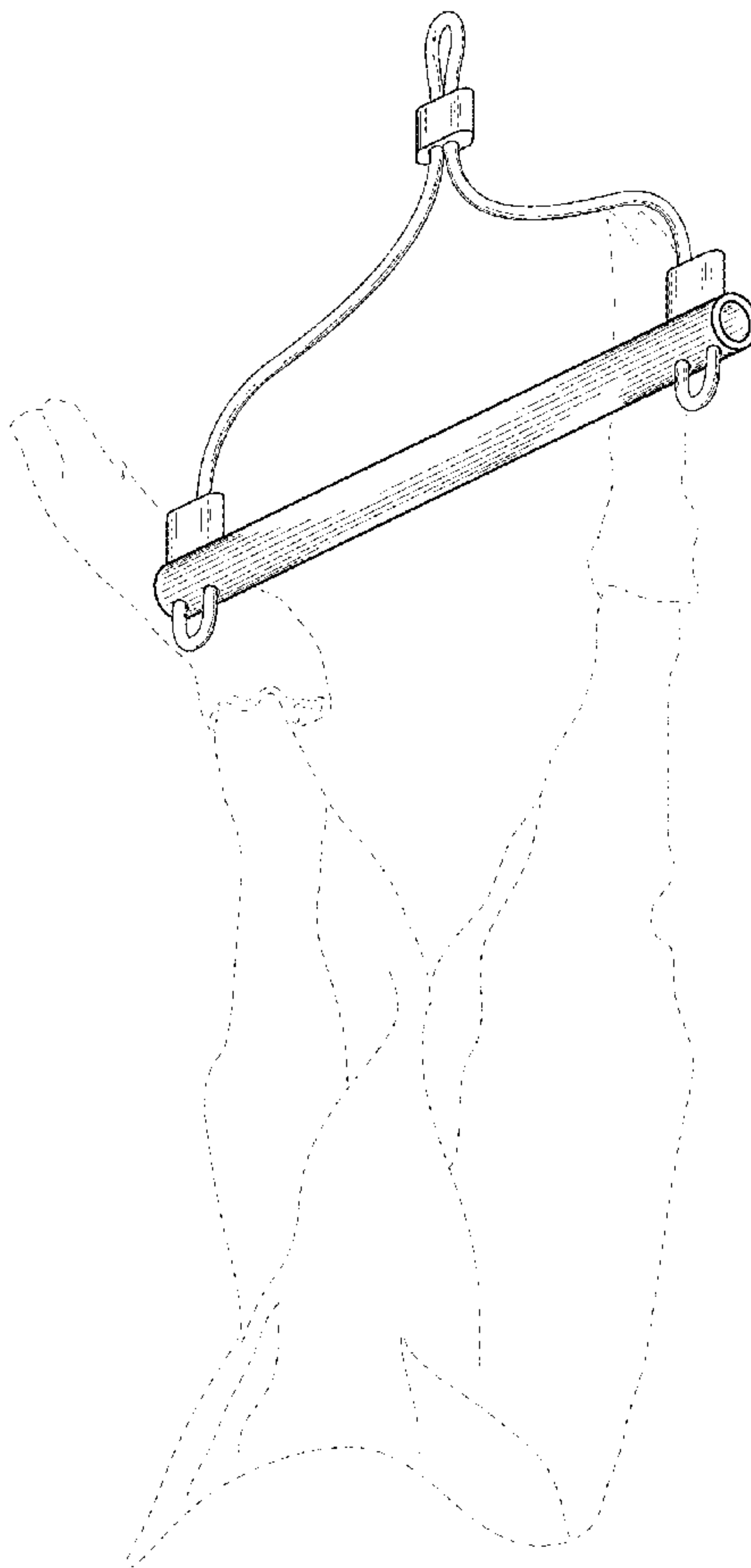
(57) **CLAIM**

I claim the ornamental design for a game rack, as shown and described.

DESCRIPTION

FIG. 1 is a perspective view of a game rack, showing my new design;
 FIG. 2 is a front elevational view thereof;
 FIG. 3 is a rear elevational view thereof;
 FIG. 4 is a left-side elevational view thereof;
 FIG. 5 is a right-side elevational view thereof;
 FIG. 6 is a top plan view thereof; and,
 FIG. 7 is a bottom plan view thereof.
 The broken lines showing a game animal in FIG. 1 depict environmental matter and form no part of the claimed design.

1 Claim, 3 Drawing Sheets



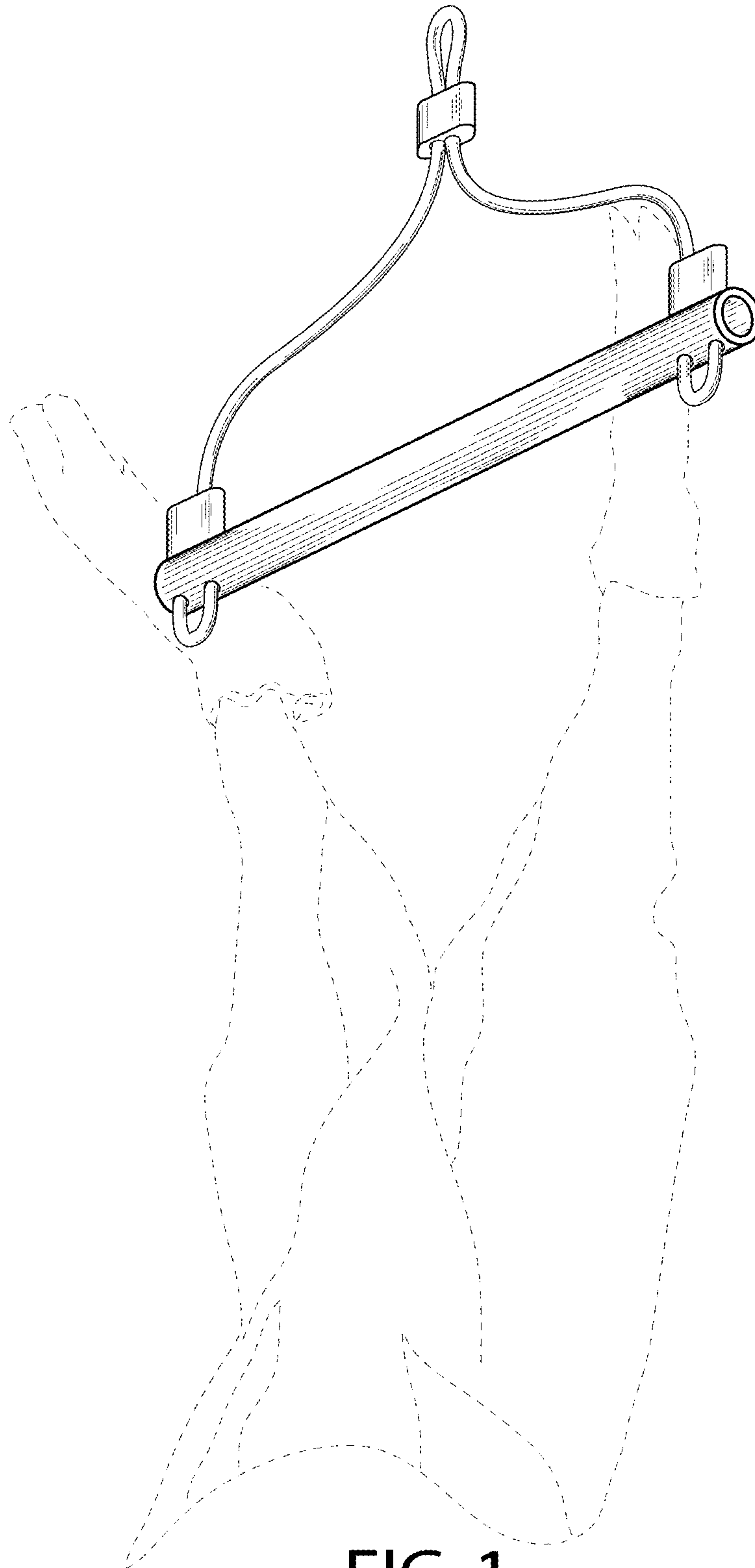


FIG. 1

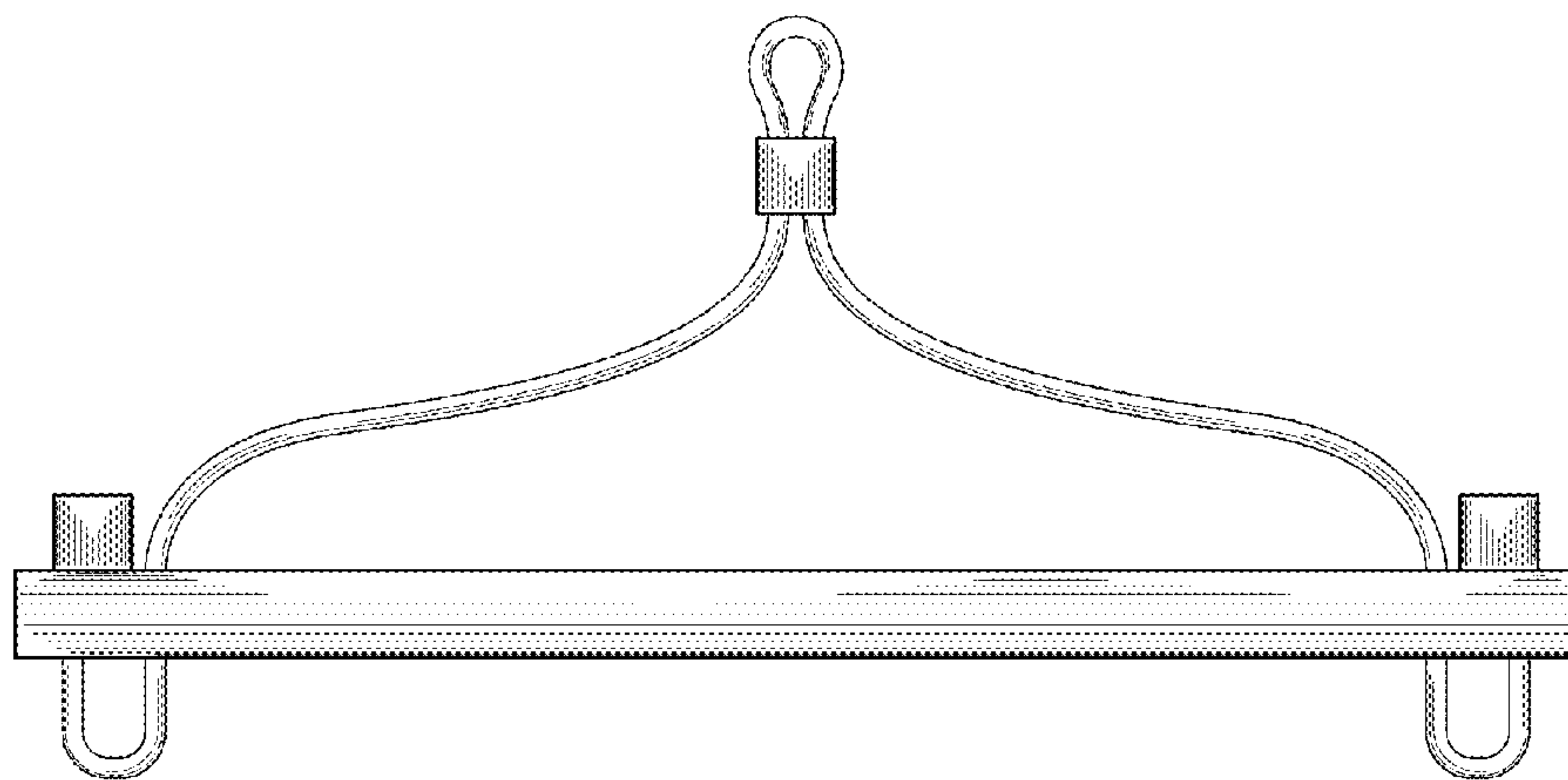


FIG. 2

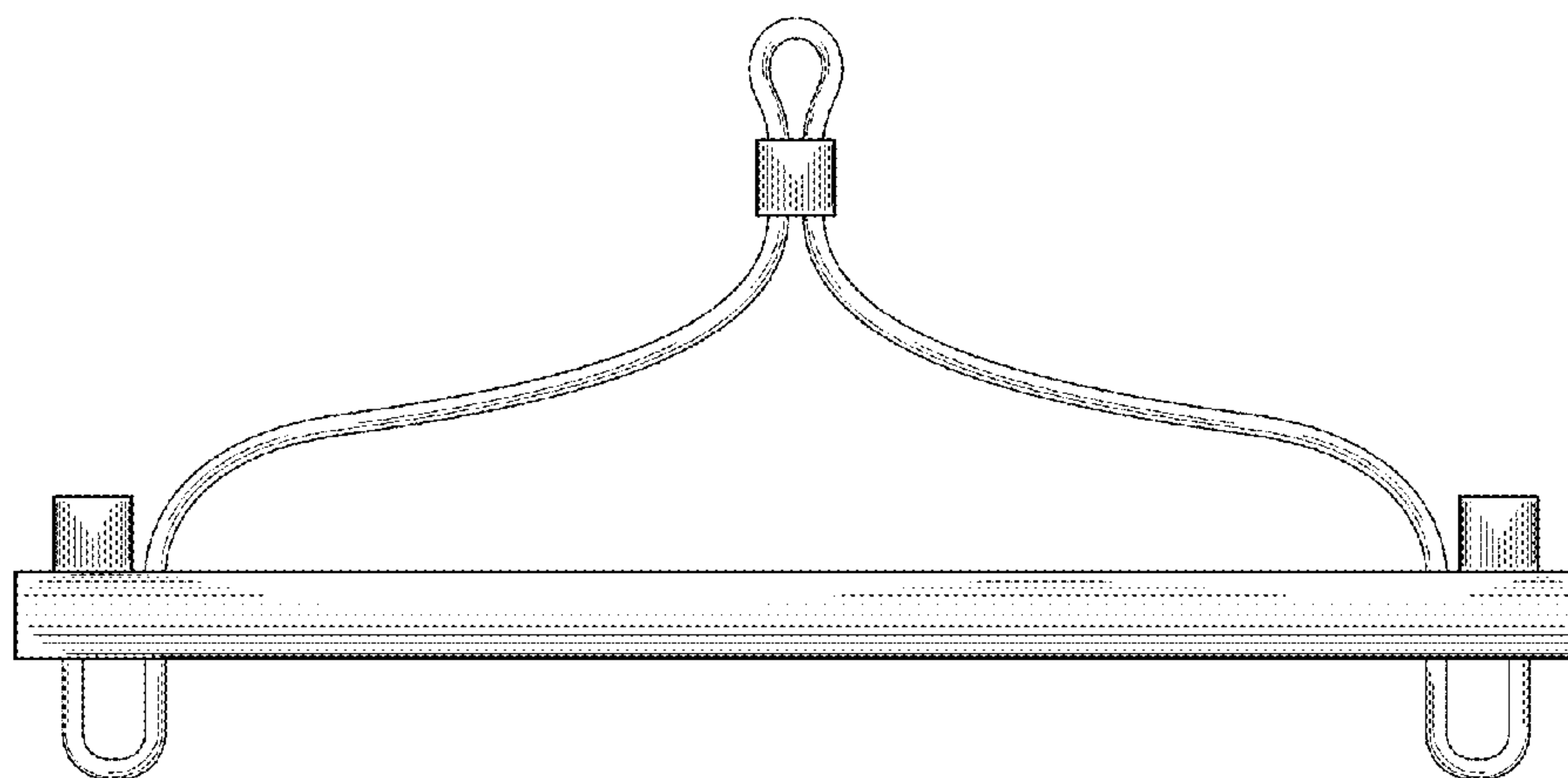


FIG. 3

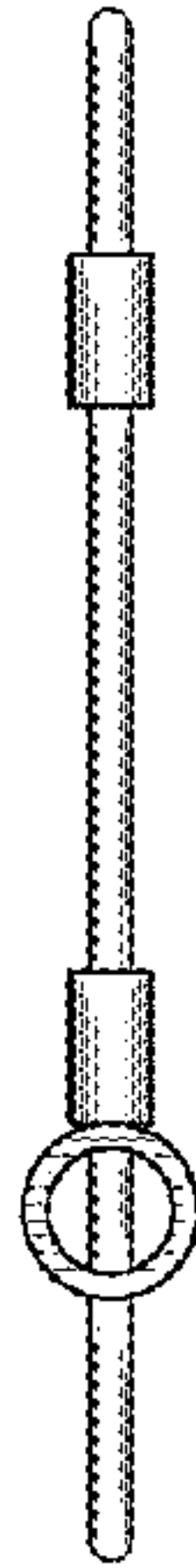


FIG. 4

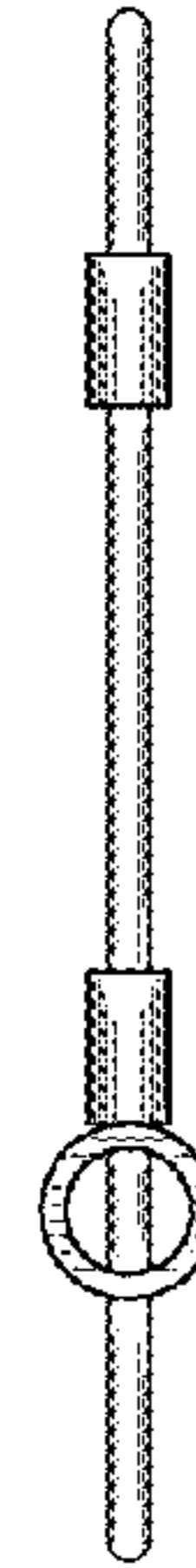


FIG. 5



FIG. 6

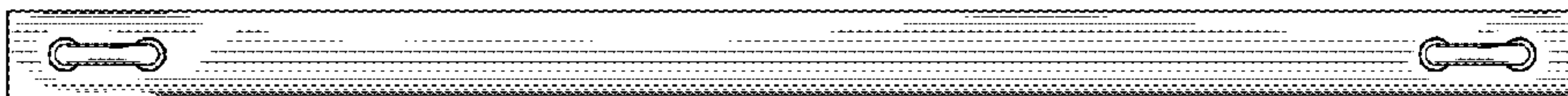


FIG. 7