



US00D717908S

(12) **United States Design Patent**
Montes

(10) **Patent No.:** **US D717,908 S**

(45) **Date of Patent:** **** Nov. 18, 2014**

- (54) **QUAD RAIL FOR A FIREARM**
- (71) Applicant: **Kenneth Montes**, Roseville, CA (US)
- (72) Inventor: **Kenneth Montes**, Roseville, CA (US)
- (73) Assignee: **Phase 5 Weapon Systems Inc.**,
Roseville, CA (US)
- (**) Term: **14 Years**

D616,521	S	*	5/2010	Starnes	D22/108
8,037,633	B1		10/2011	Troy		
D650,881	S		12/2011	Abbott et al.		
D656,215	S	*	3/2012	Fitzpatrick et al.	D22/108
8,230,634	B1		7/2012	Davies et al.		
D672,838	S	*	12/2012	Mayberry et al.	D22/108
D674,859	S	*	1/2013	Robbins et al.	D22/108
8,347,540	B2		1/2013	Sirois		
8,464,457	B2		6/2013	Troy et al.		
8,479,429	B2		7/2013	Barrett et al.		
8,528,246	B2		9/2013	Telles		
D709,582	S	*	7/2014	Geissele	D22/108

- (21) Appl. No.: **29/467,268**
- (22) Filed: **Sep. 17, 2013**
- (51) **LOC (10) Cl.** **22-01**
- (52) **U.S. Cl.**
USPC **D22/108**
- (58) **Field of Classification Search**
CPC F41C 23/10; F41C 23/14; F41C 23/16;
F41C 23/18; F41C 7/00; F41C 7/11; F41C
7/12
USPC D22/108; 362/109-114; 42/90, 94, 114,
42/117, 124-127, 131, 146; 89/40.06,
89/41.19, 37.04, 33.04, 191.01, 200-204;
124/67, 66, 72, 74
See application file for complete search history.

(56) **References Cited**

U.S. PATENT DOCUMENTS

6,836,990	B2		1/2005	Shiloni		
D606,155	S	*	12/2009	Swan	D22/108
D606,156	S	*	12/2009	Swan	D22/108
D607,958	S	*	1/2010	Swan	D22/108
D613,811	S	*	4/2010	Swan	D22/108
D616,520	S	*	5/2010	Starnes	D22/108

OTHER PUBLICATIONS

Montes, U.S. Appl. No. 29/467,262, filed Sep. 17, 2013.

* cited by examiner

Primary Examiner — Michael A Pratt

(74) *Attorney, Agent, or Firm* — Law Office of Andrei D Popovici, PC

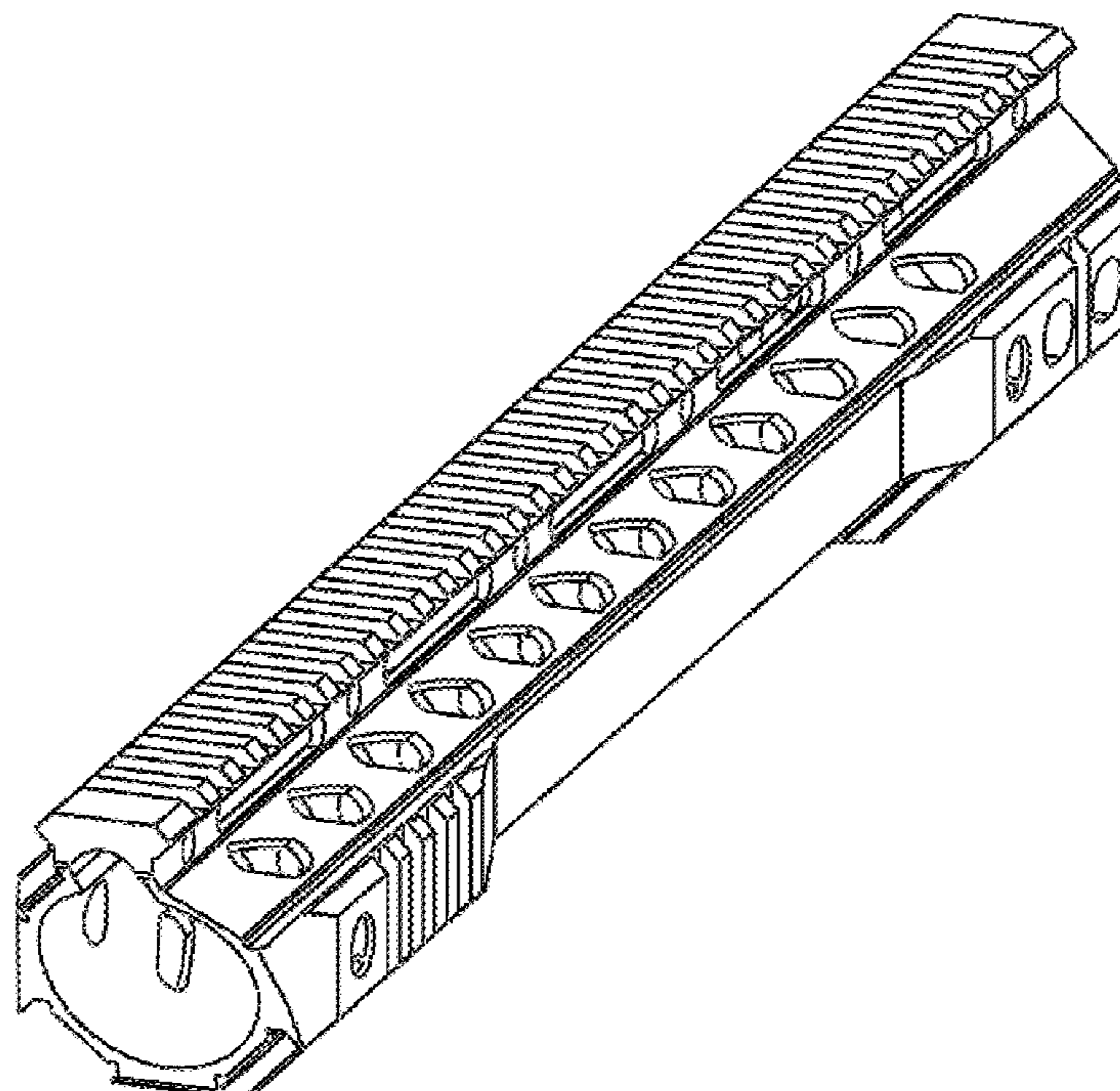
(57) **CLAIM**

What is claimed is the ornamental design for a quad rail for a firearm, as shown.

DESCRIPTION

FIG. 1 shows an isometric view of a quad rail for a firearm.
 FIG. 2 shows a bottom plan view of a quad rail for a firearm.
 FIG. 3 shows a top plan view of a quad rail for a firearm.
 FIG. 4 shows a rear plan view of a quad rail for a firearm.
 FIG. 5 shows a front plan view of a quad rail for a firearm.
 FIG. 6 shows a left side plan view of a quad rail for a firearm;
 and,
 FIG. 7 shows a right side plan view of a quad rail for a firearm.

1 Claim, 4 Drawing Sheets



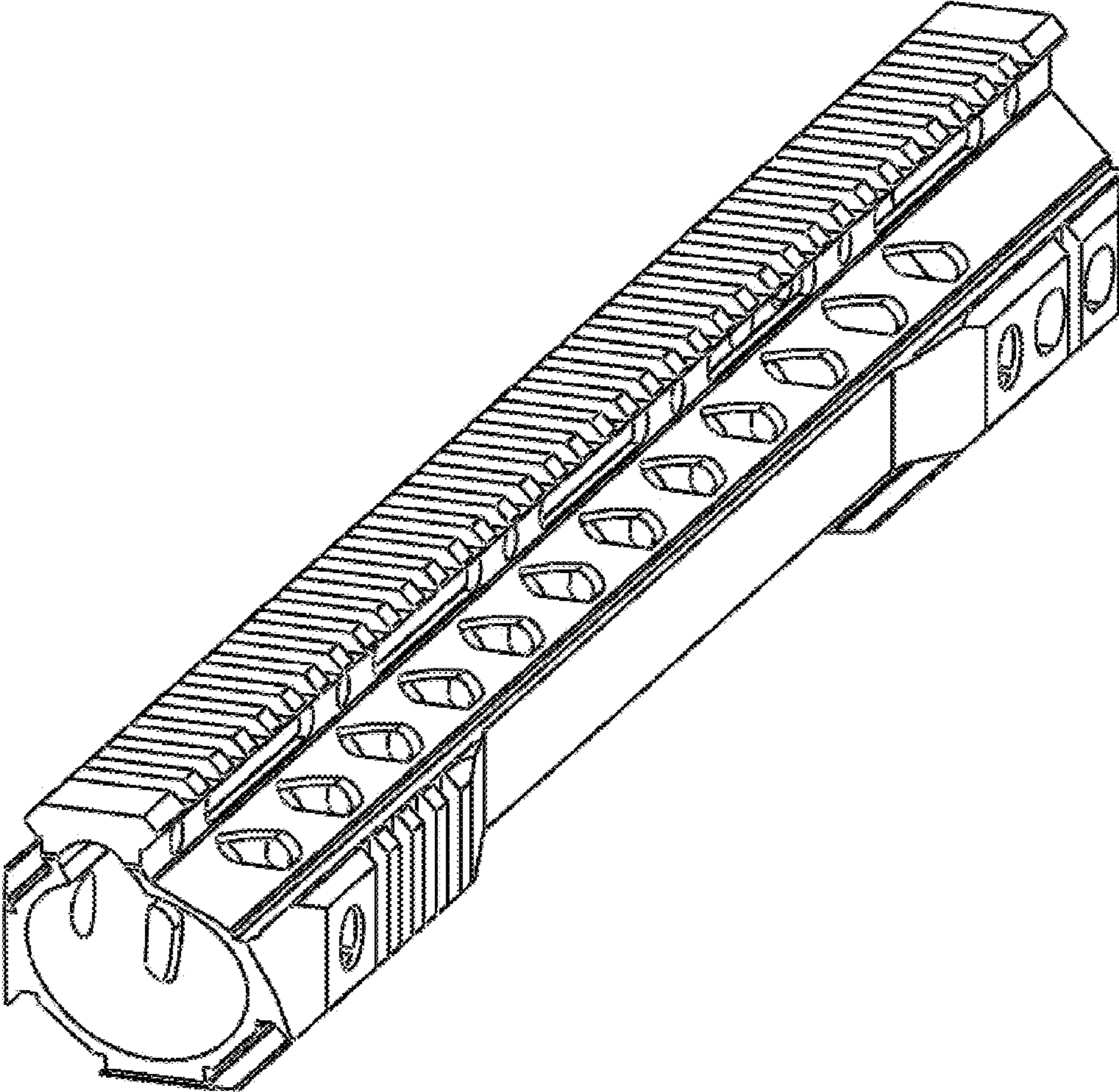


FIG. 1

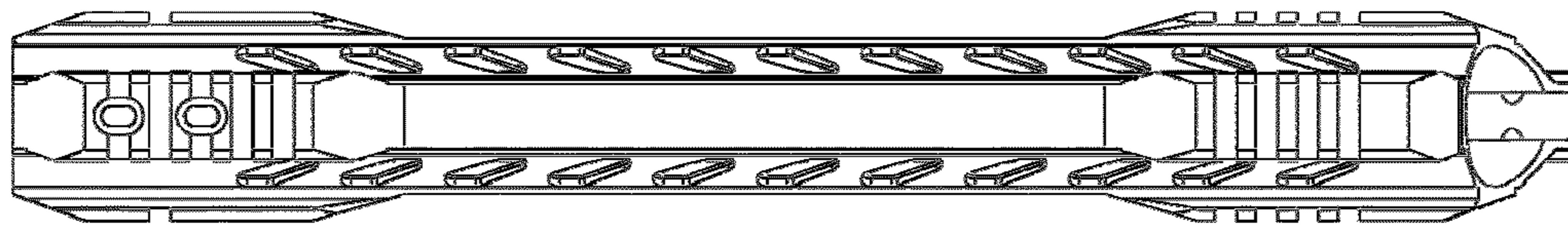


FIG. 2

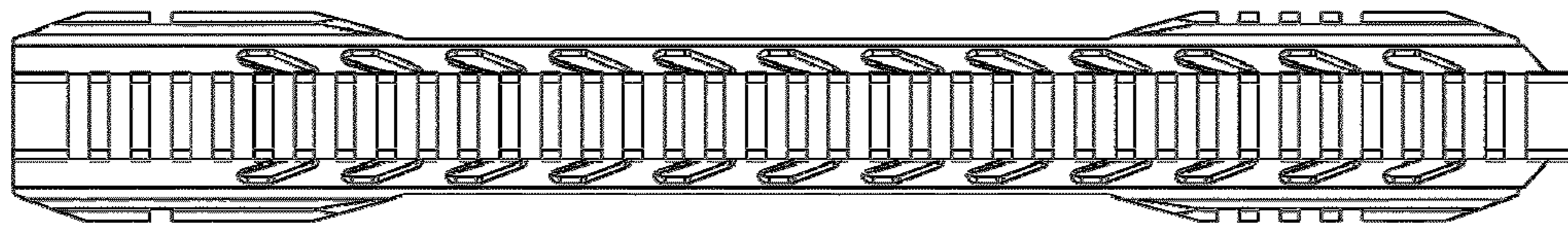


FIG. 3

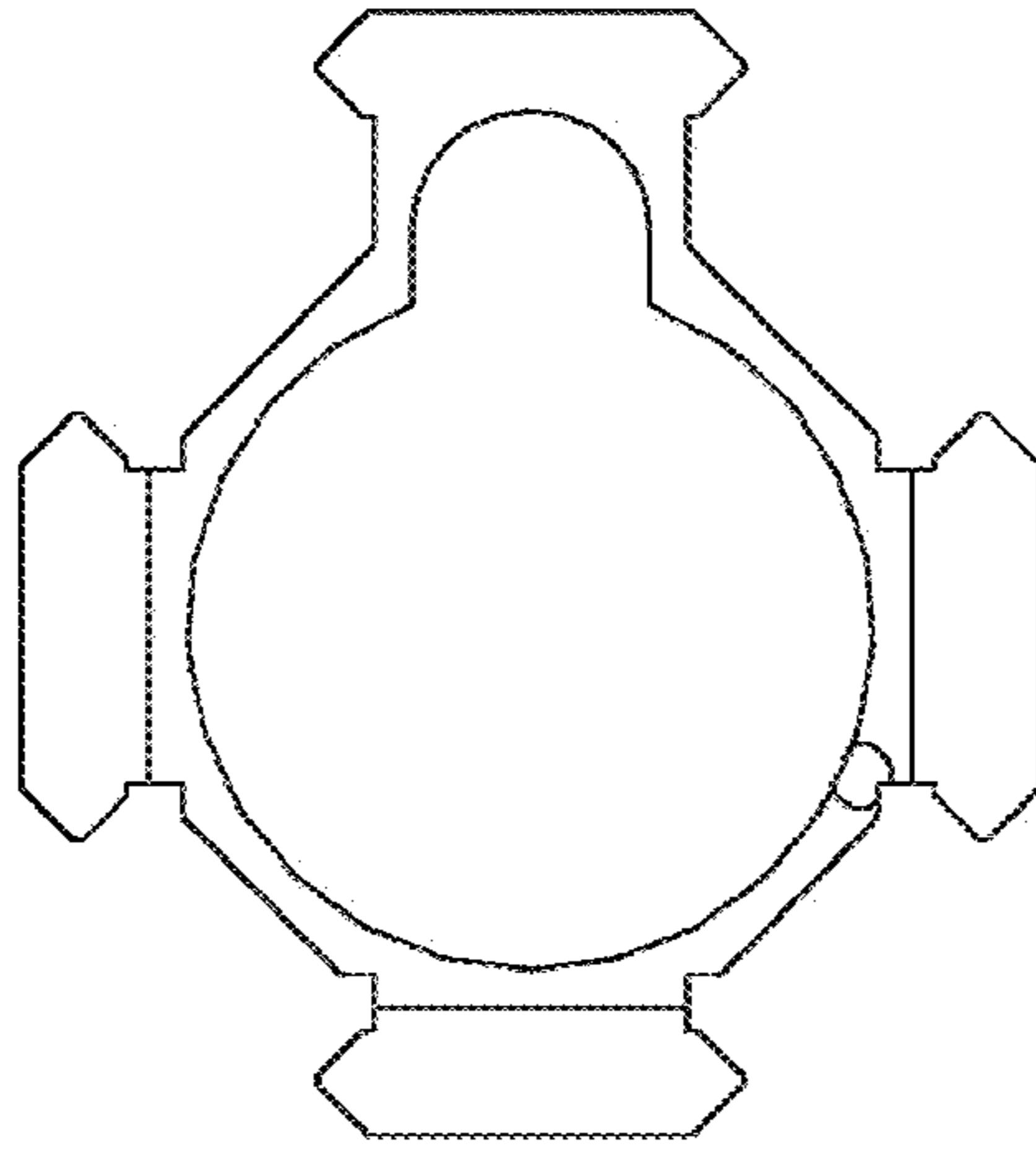


FIG. 4

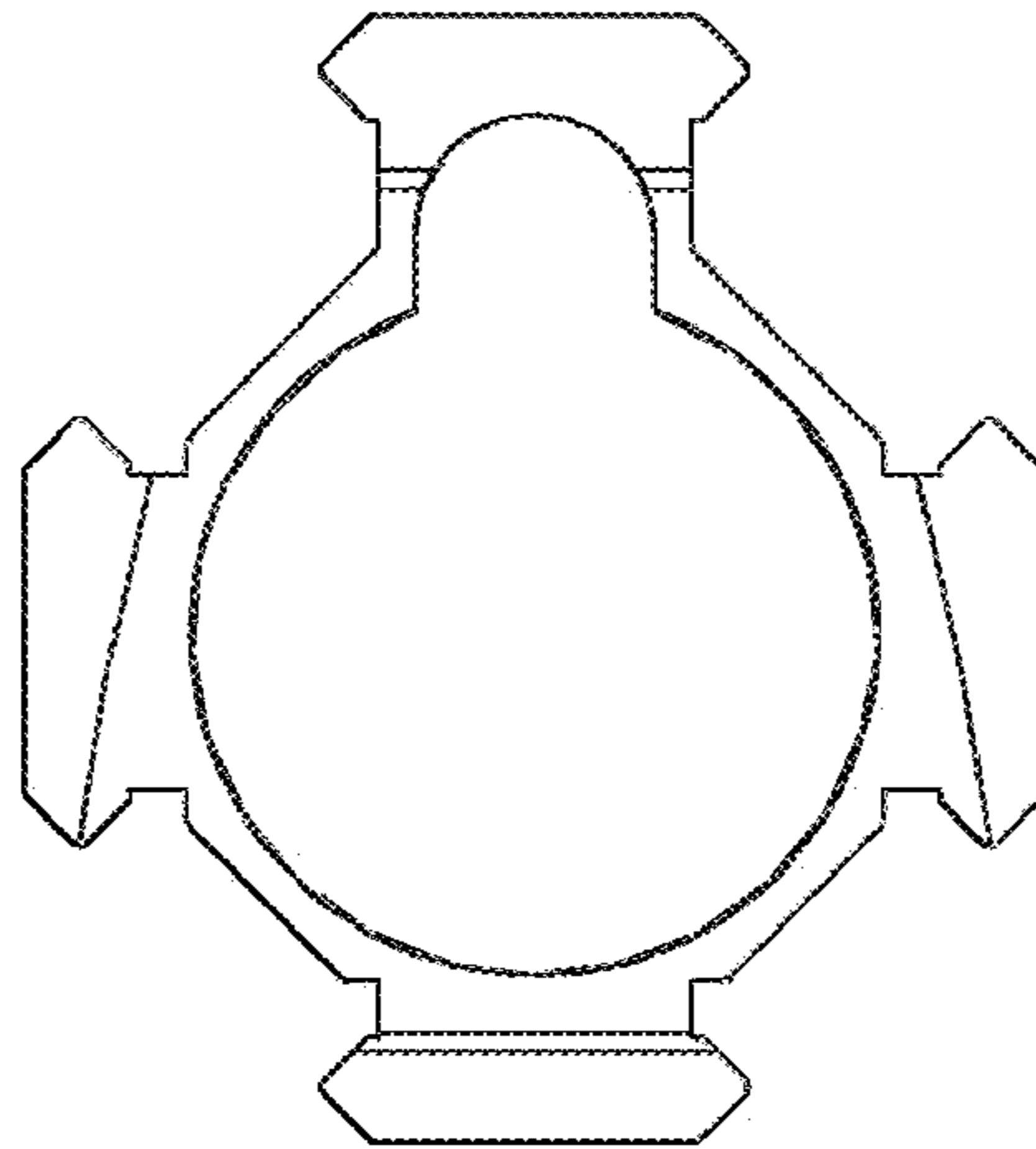


FIG. 5

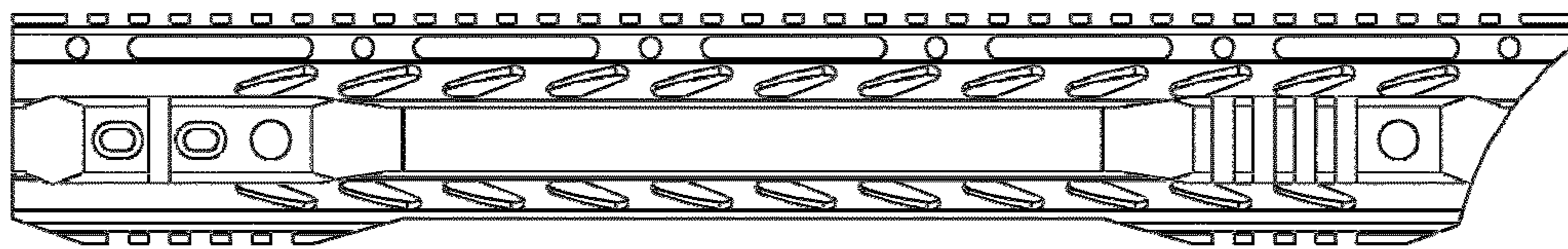


FIG. 6

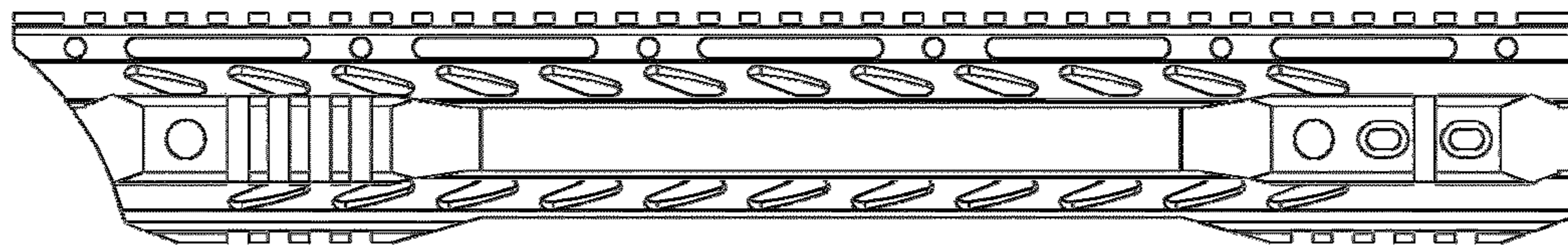


FIG. 7