



US00D717907S

(12) **United States Design Patent**
Montes

(10) **Patent No.:** **US D717,907 S**
(45) **Date of Patent:** **** Nov. 18, 2014**

(54) **QUAD RAIL FOR A FIREARM**
(71) Applicant: **Kenneth Montes**, Roseville, CA (US)
(72) Inventor: **Kenneth Montes**, Roseville, CA (US)
(73) Assignee: **Phase 5 Weapon Systems Inc.**,
Roseville, CA (US)
(**) Term: **14 Years**

D616,521 S * 5/2010 Starnes D22/108
8,037,633 B1 10/2011 Troy
D650,881 S 12/2011 Abbott et al.
D656,215 S * 3/2012 Fitzpatrick et al. D22/108
8,230,634 B1 7/2012 Davies et al.
D672,838 S * 12/2012 Mayberry et al. D22/108
D674,859 S * 1/2013 Robbins et al. D22/108
8,347,540 B2 1/2013 Sirois
8,464,457 B2 6/2013 Troy et al.
8,479,429 B2 7/2013 Barrett et al.
8,528,246 B2 9/2013 Telles
D709,582 S * 7/2014 Geissele D22/108

(21) Appl. No.: **29/467,262**
(22) Filed: **Sep. 17, 2013**
(51) **LOC (10) Cl.** **22-01**
(52) **U.S. Cl.**
USPC **D22/108**
(58) **Field of Classification Search**
CPC F41C 23/10; F41C 23/14; F41C 23/16;
F41C 23/18; F41C 7/00; F41C 7/11; F41C
7/12
USPC D22/108; 362/109-114; 42/90, 94, 114,
42/117, 124-127, 131, 146; 89/40.06,
89/41.19, 37.04, 33.04, 191.01, 200-204;
124/67, 66, 72, 74
See application file for complete search history.

OTHER PUBLICATIONS

Montes, U.S. Appl. No. 29/467,268, filed Sep. 17, 2013.

* cited by examiner

Primary Examiner — Michael A Pratt

(74) *Attorney, Agent, or Firm* — Law Office of Andrei D Popovici, PC

(57) **CLAIM**

What is claimed is the ornamental design for a quad rail for a firearm, as shown.

DESCRIPTION

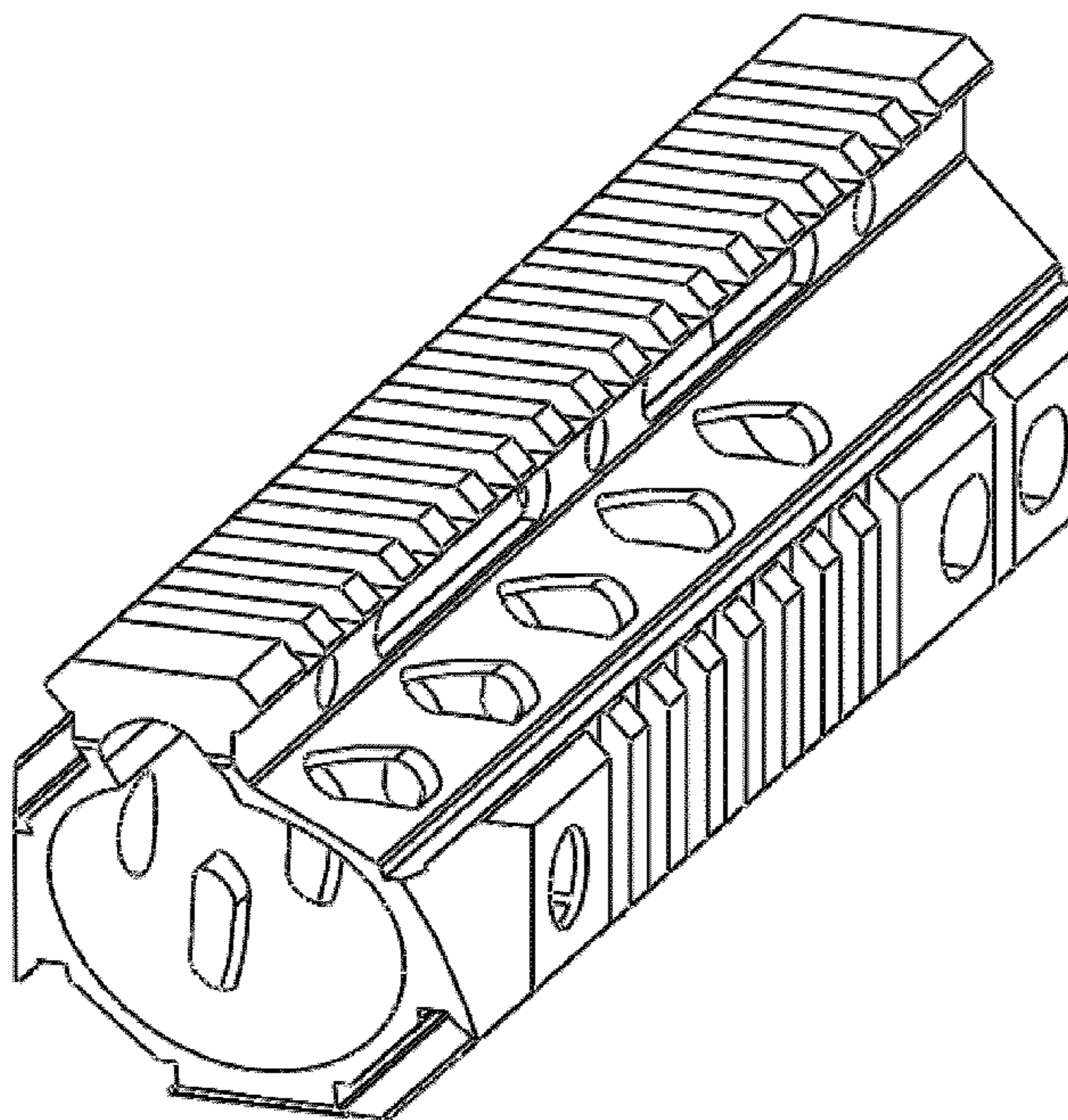
FIG. 1 shows an isometric view of a quad rail for a firearm.
FIG. 2 shows a bottom plan view of a quad rail for a firearm.
FIG. 3 shows a top plan view of a quad rail for a firearm.
FIG. 4 shows a rear plan view of a quad rail for a firearm.
FIG. 5 shows a front plan view of a quad rail for a firearm.
FIG. 6 shows a left side plan view of a quad rail for a firearm;
and,
FIG. 7 shows a right side plan view of a quad rail for a firearm.

(56) **References Cited**

U.S. PATENT DOCUMENTS

6,836,990 B2 1/2005 Shiloni
D606,155 S * 12/2009 Swan D22/108
D606,156 S * 12/2009 Swan D22/108
D607,958 S * 1/2010 Swan D22/108
D613,811 S * 4/2010 Swan D22/108
D616,520 S * 5/2010 Starnes D22/108

1 Claim, 4 Drawing Sheets



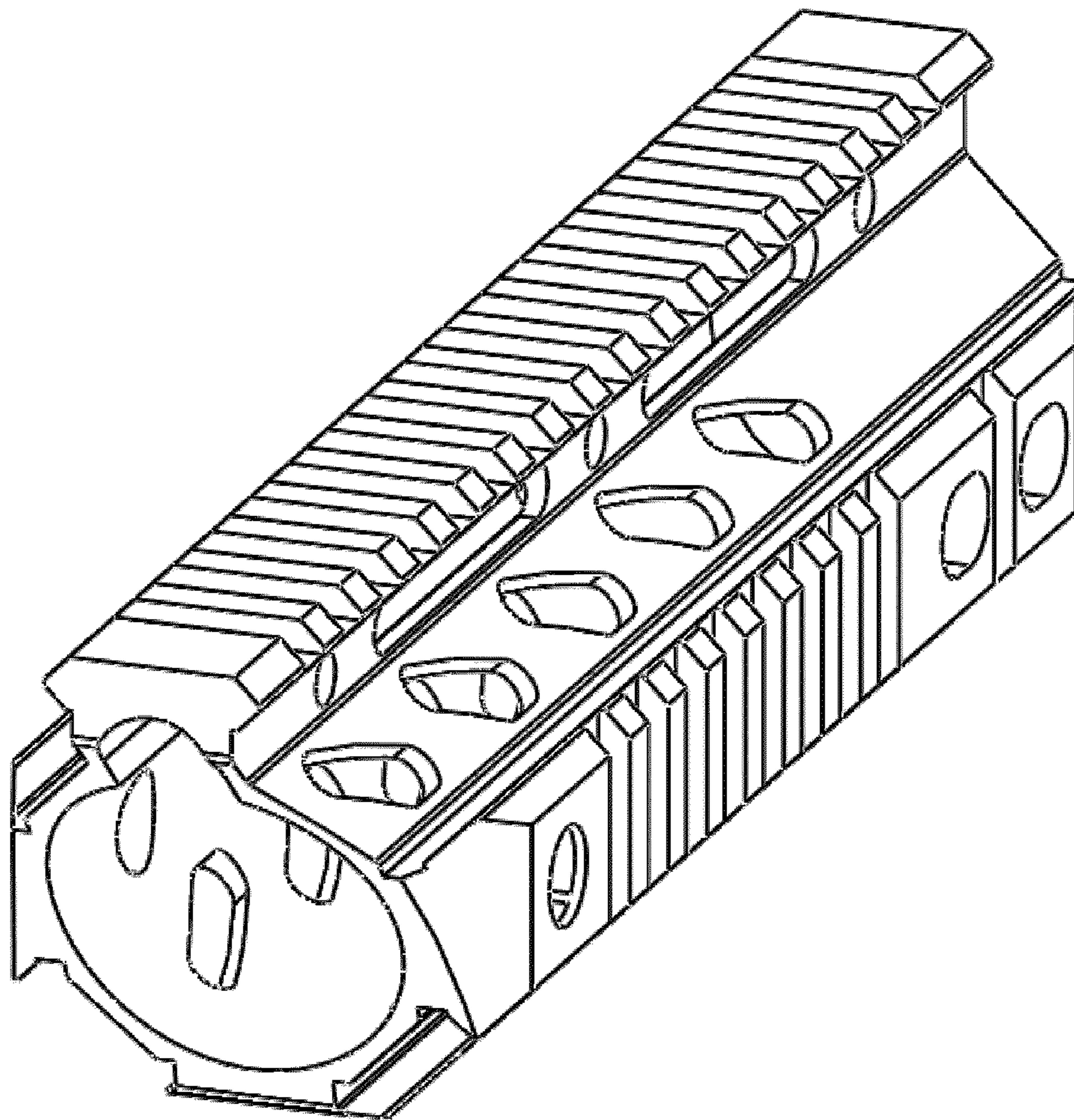


FIG. 1

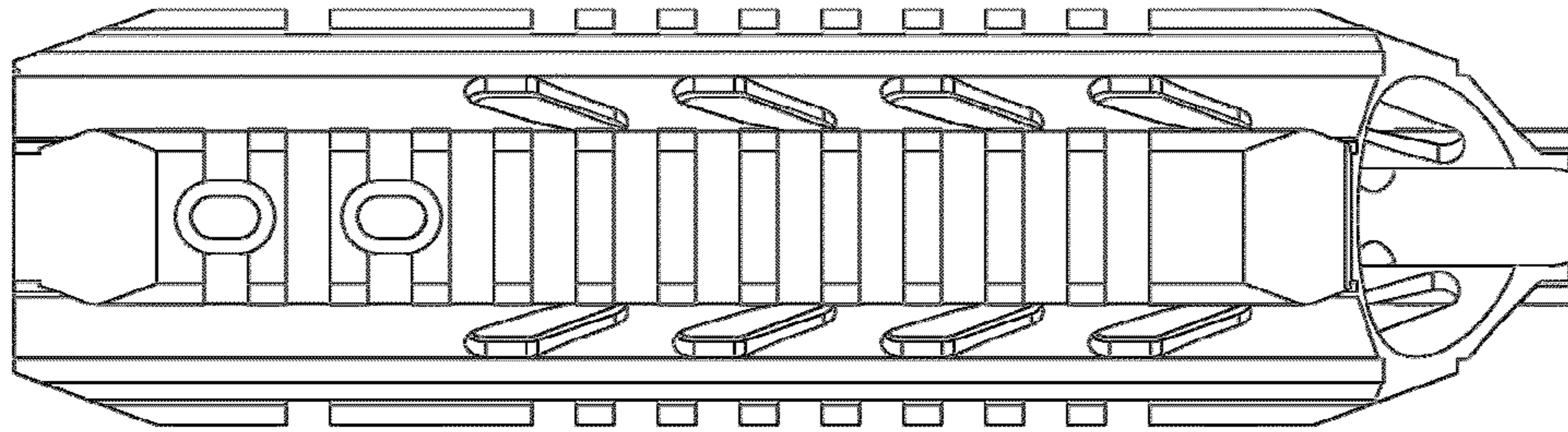


FIG. 2

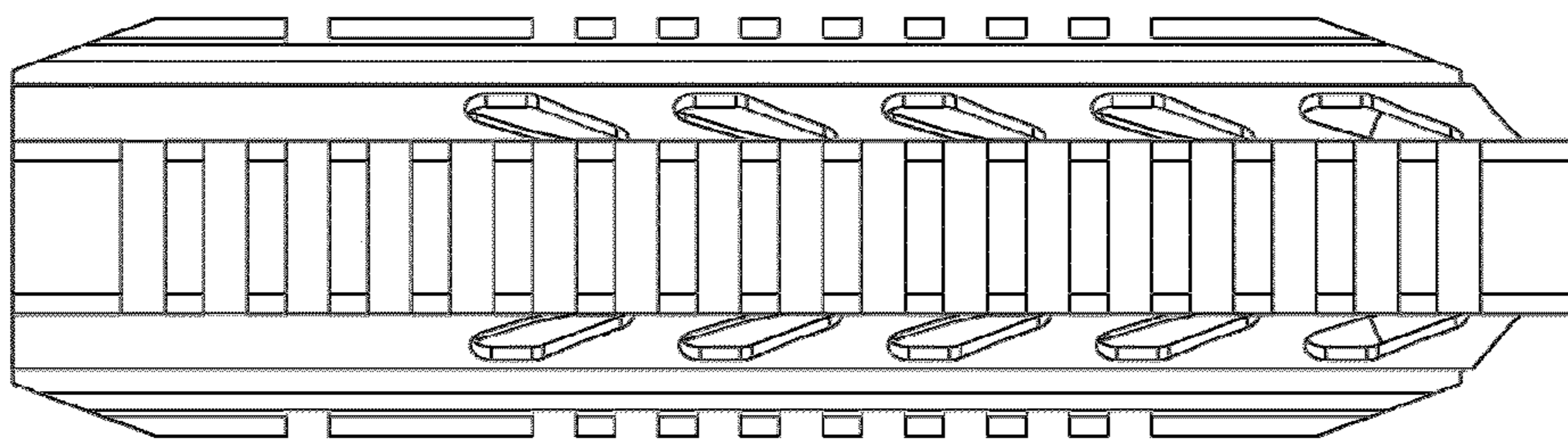


FIG. 3

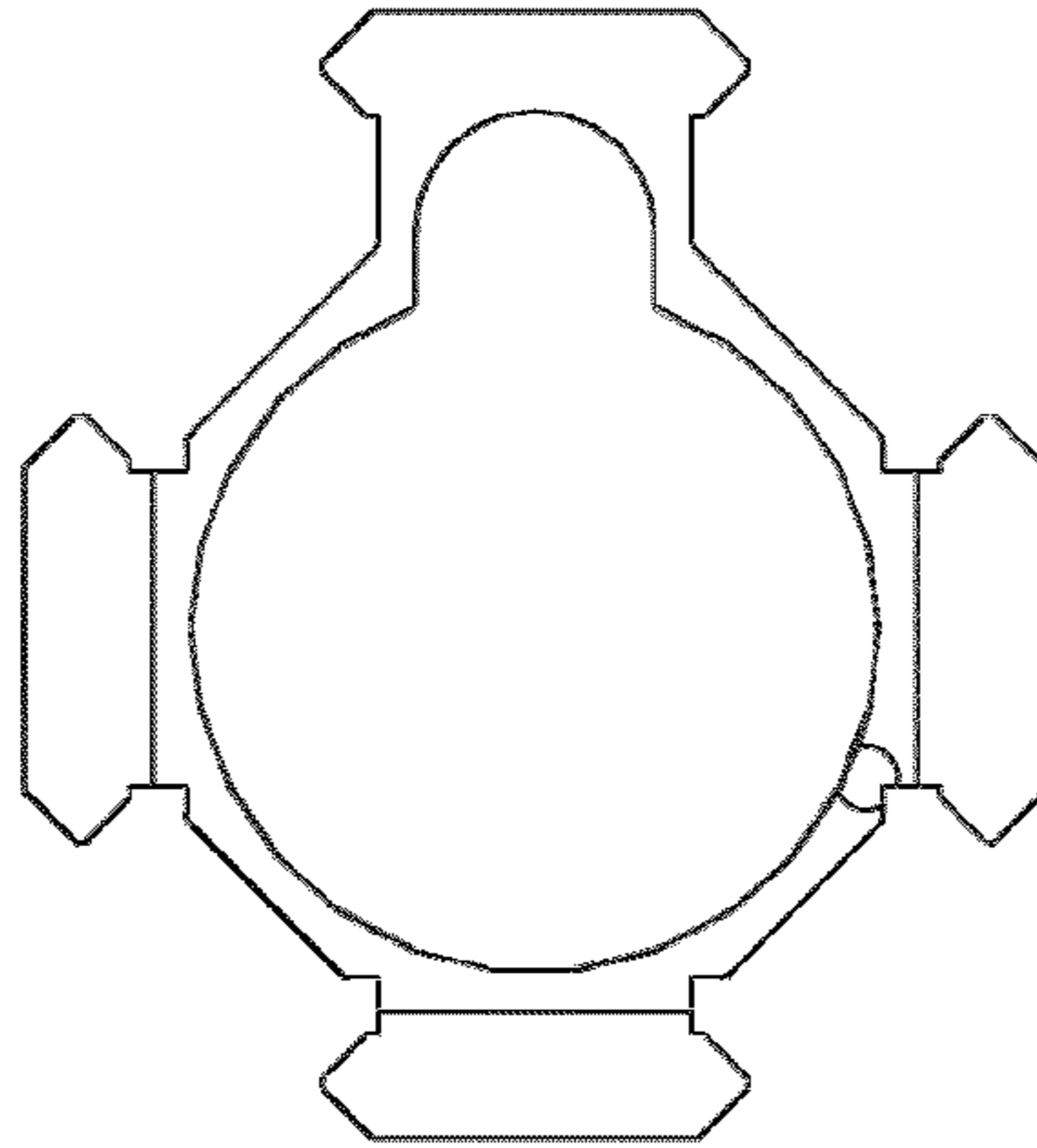


FIG. 4

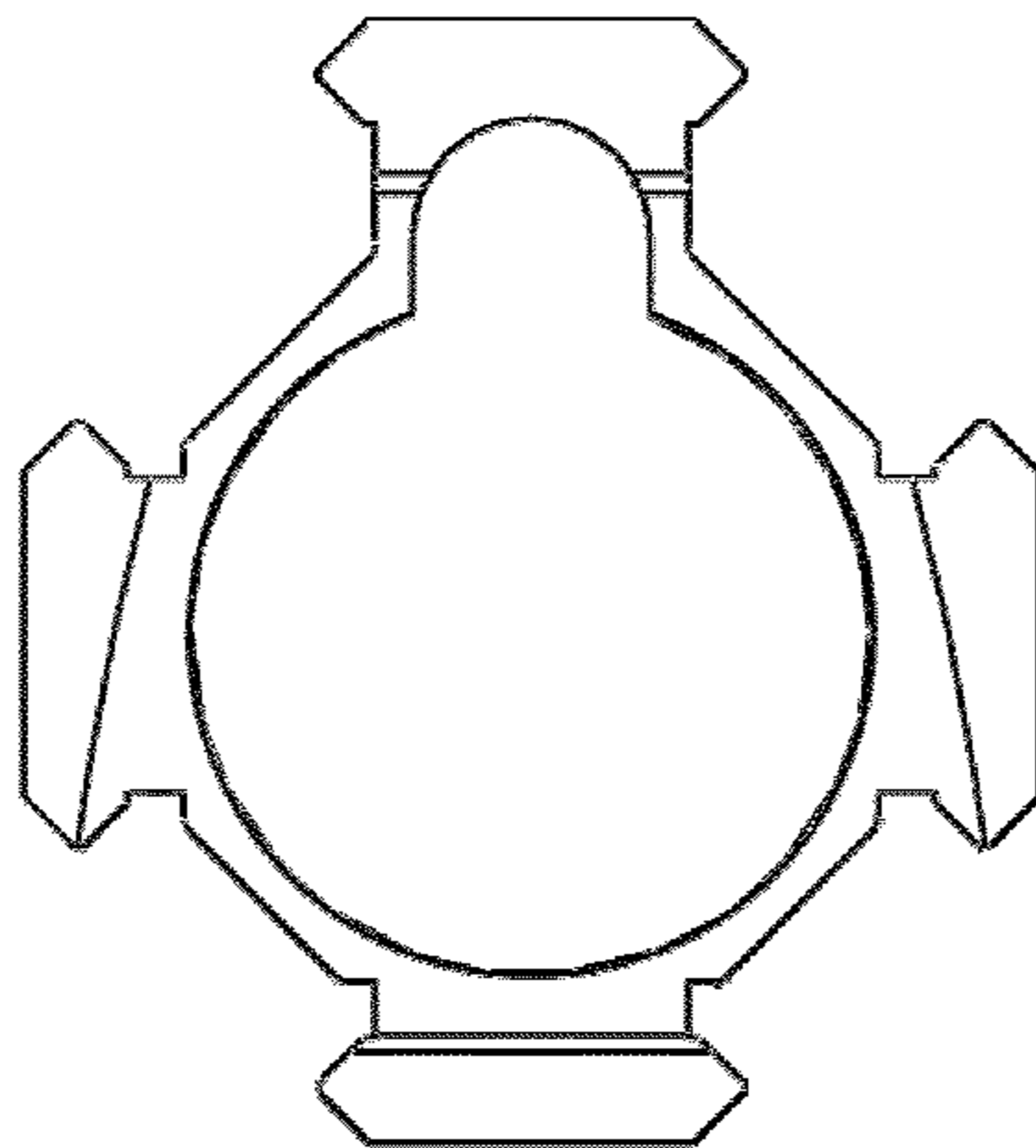


FIG. 5

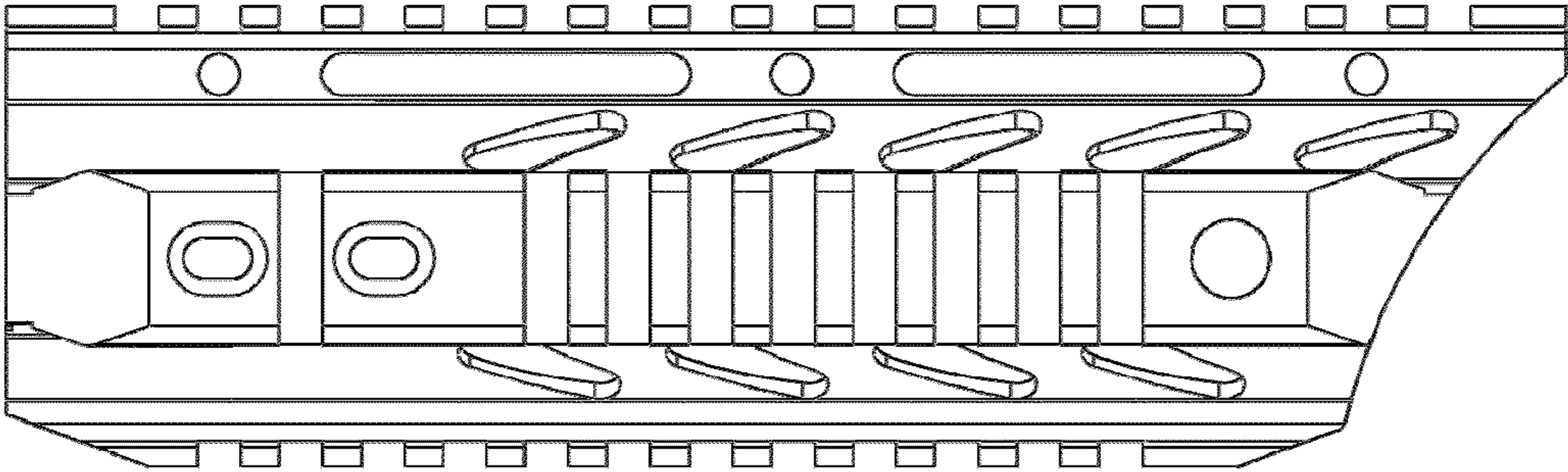


FIG. 6

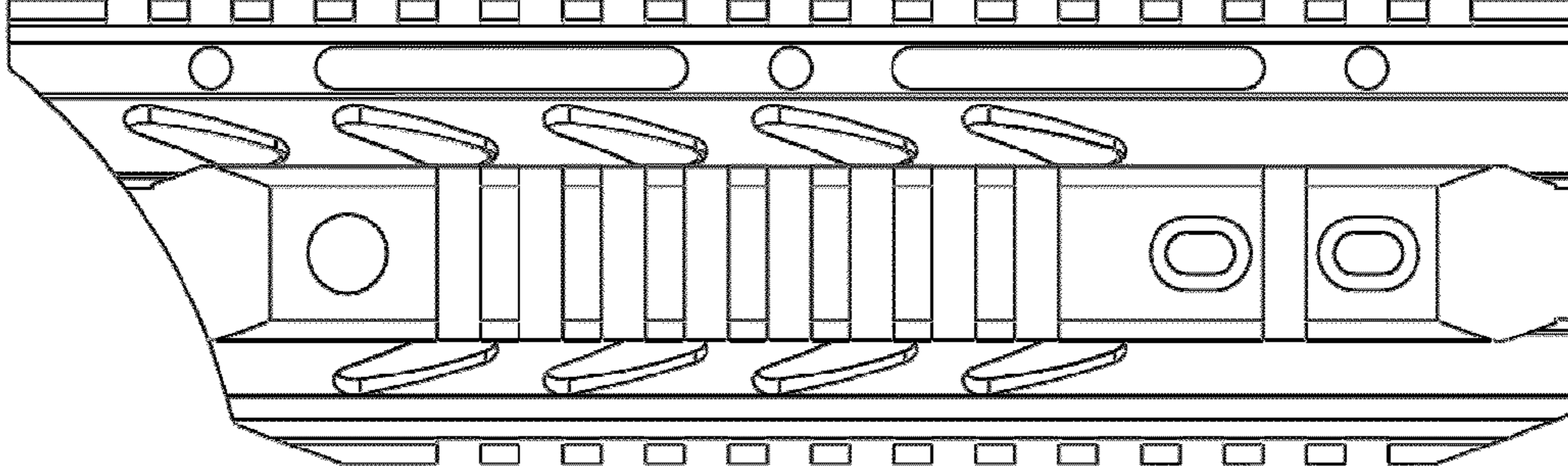


FIG. 7