



US00D717906S

(12) **United States Design Patent**  
**Montes**

(10) **Patent No.:** **US D717,906 S**

(45) **Date of Patent:** **\*\* Nov. 18, 2014**

- (54) **BUFFER TUBE FOR A PISTOL**
- (71) Applicant: **Kenneth Montes**, Roseville, CA (US)
- (72) Inventor: **Kenneth Montes**, Roseville, CA (US)
- (73) Assignee: **Phase 5 Weapon Systems Inc.**,  
Roseville, CA (US)
- (\*\*) Term: **14 Years**
- (21) Appl. No.: **29/467,253**
- (22) Filed: **Sep. 17, 2013**
- (51) **LOC (10) Cl.** ..... **22-01**
- (52) **U.S. Cl.**  
USPC ..... **D22/108**
- (58) **Field of Classification Search**  
CPC ..... F47C 7/00; F47C 7/11; F47C 7/12  
USPC ..... D22/104, 108; D21/572-575; 42/51,  
42/71.01, 75.01, 75.02, 90, 94, 134, 136,  
42/139, 125, 72, 111; 89/40.06, 41.19,  
89/37.04, 33.04, 191.01, 200-204;  
124/67, 66, 72, 74  
See application file for complete search history.

8,397,414	B2	3/2013	Walters	
8,430,015	B2	4/2013	Faifer	
8,468,729	B1	6/2013	Sylvester	
2009/0108589	A1 *	4/2009	Racho	290/1 R
2014/0075814	A1 *	3/2014	Larson et al.	42/72
2014/0090283	A1 *	4/2014	Gomez	42/25
2014/0260946	A1 *	9/2014	Gomez	89/191.01

**OTHER PUBLICATIONS**

<http://soldiersystems.net/2012/02/21/the-weapon-as-art/>.  
Montes, U.S. Appl. No. 61/878,955, filed Sep. 17, 2013.

\* cited by examiner

*Primary Examiner* — Michael A Pratt

(74) *Attorney, Agent, or Firm* — Law Office of Andrei D Popovici, PC

(57) **CLAIM**

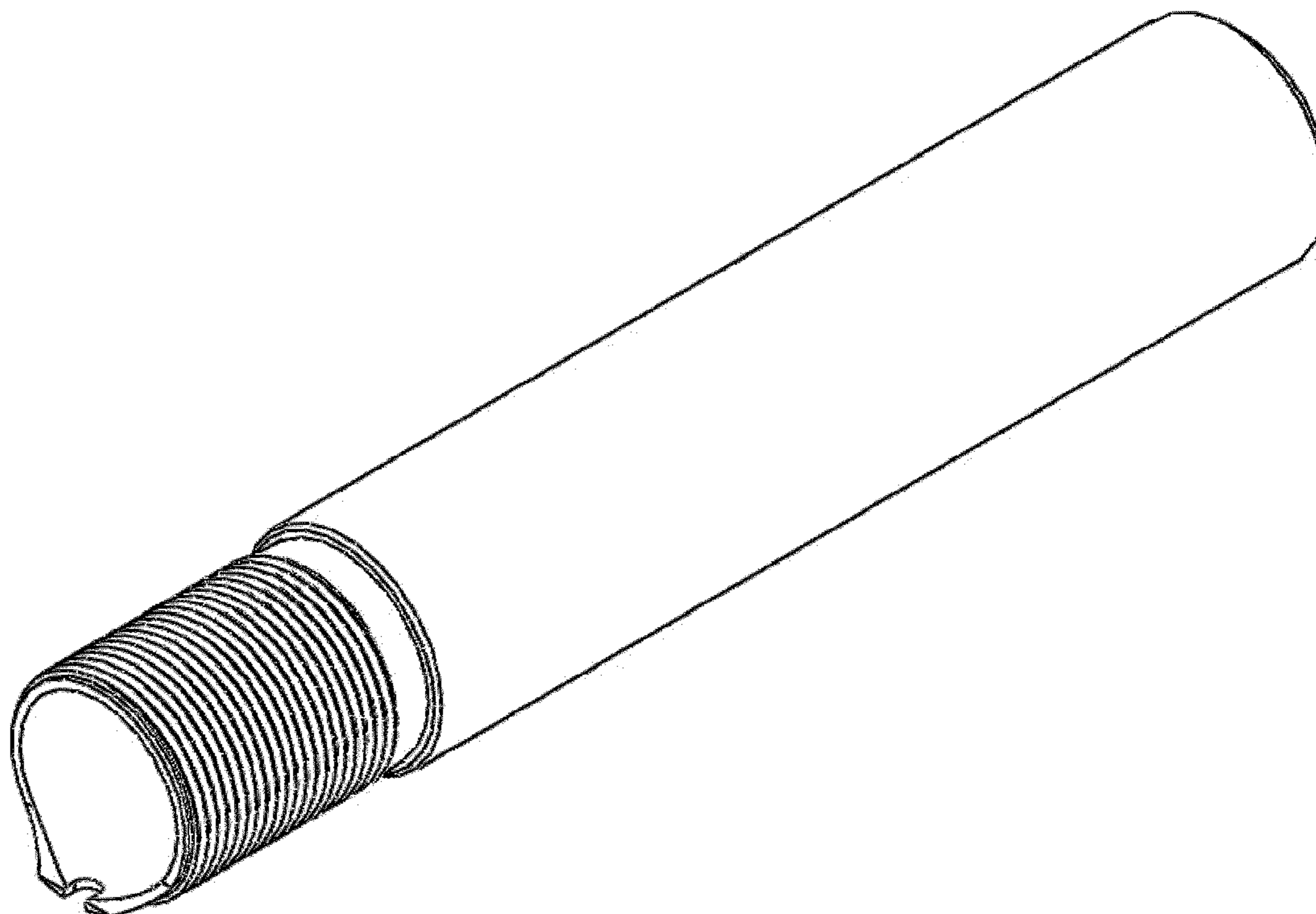
What is claimed is the ornamental design for a buffer tube for a pistol, as shown.

**DESCRIPTION**

FIG. 1 shows an isometric view of a buffer tube for a pistol.  
FIG. 2 shows a bottom plan view of a buffer tube for a pistol.  
FIG. 3 shows a top plan view of a buffer tube for a pistol.  
FIG. 4 shows a rear plan view of a buffer tube for a pistol.  
FIG. 5 shows a front plan view of a buffer tube for a pistol.  
FIG. 6 shows a left side plan view of a buffer tube for a pistol;  
and,  
FIG. 7 shows a right side plan view of a buffer tube for a pistol.

**1 Claim, 4 Drawing Sheets**

- (56) **References Cited**  
U.S. PATENT DOCUMENTS  
7,640,690 B2 1/2010 Hines  
8,342,075 B2 1/2013 Gomez



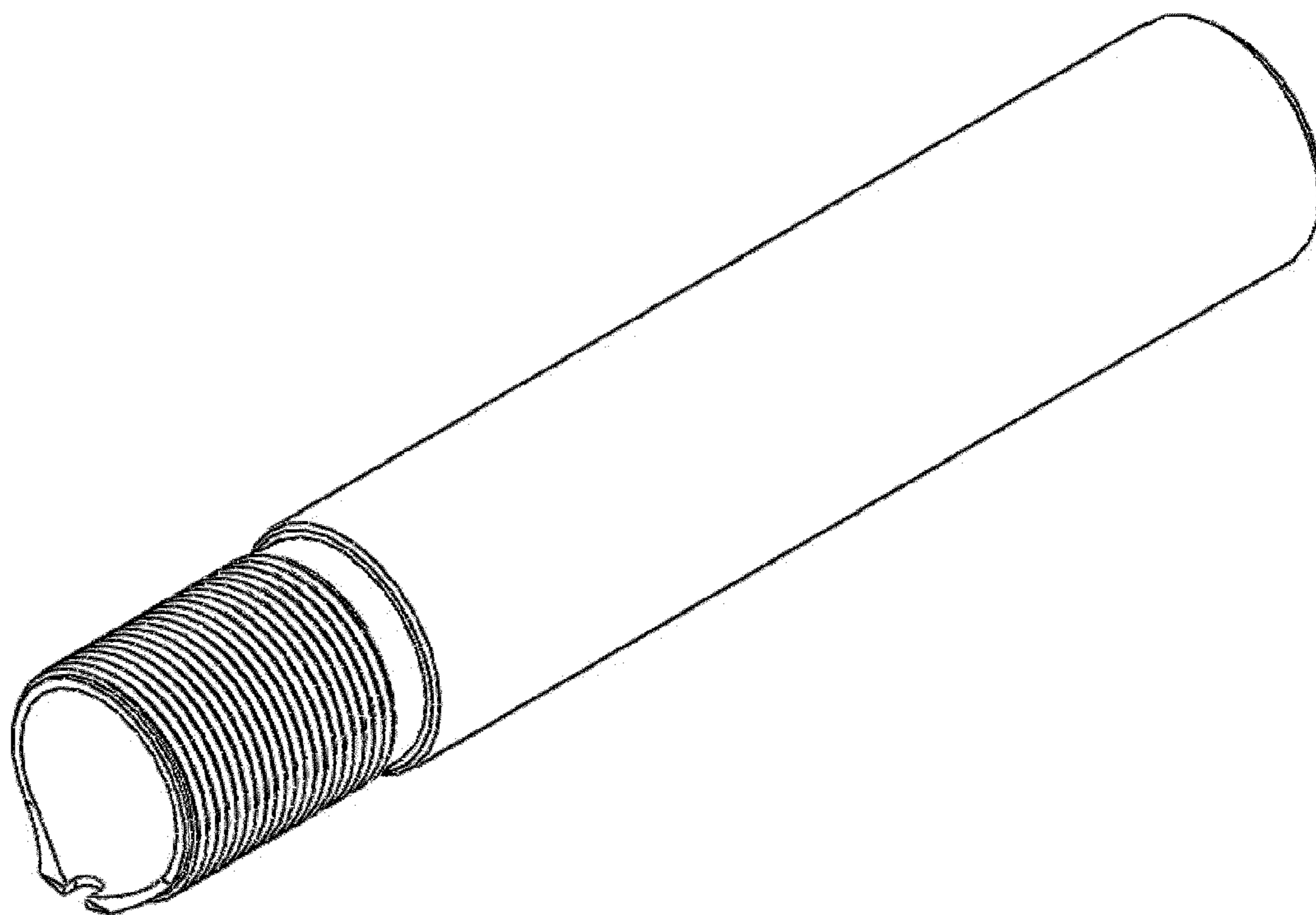


FIG. 1



FIG. 2

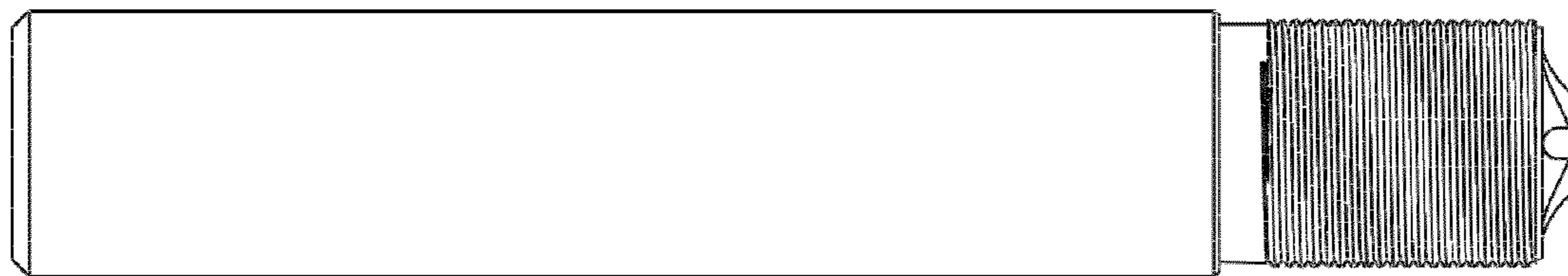


FIG. 3

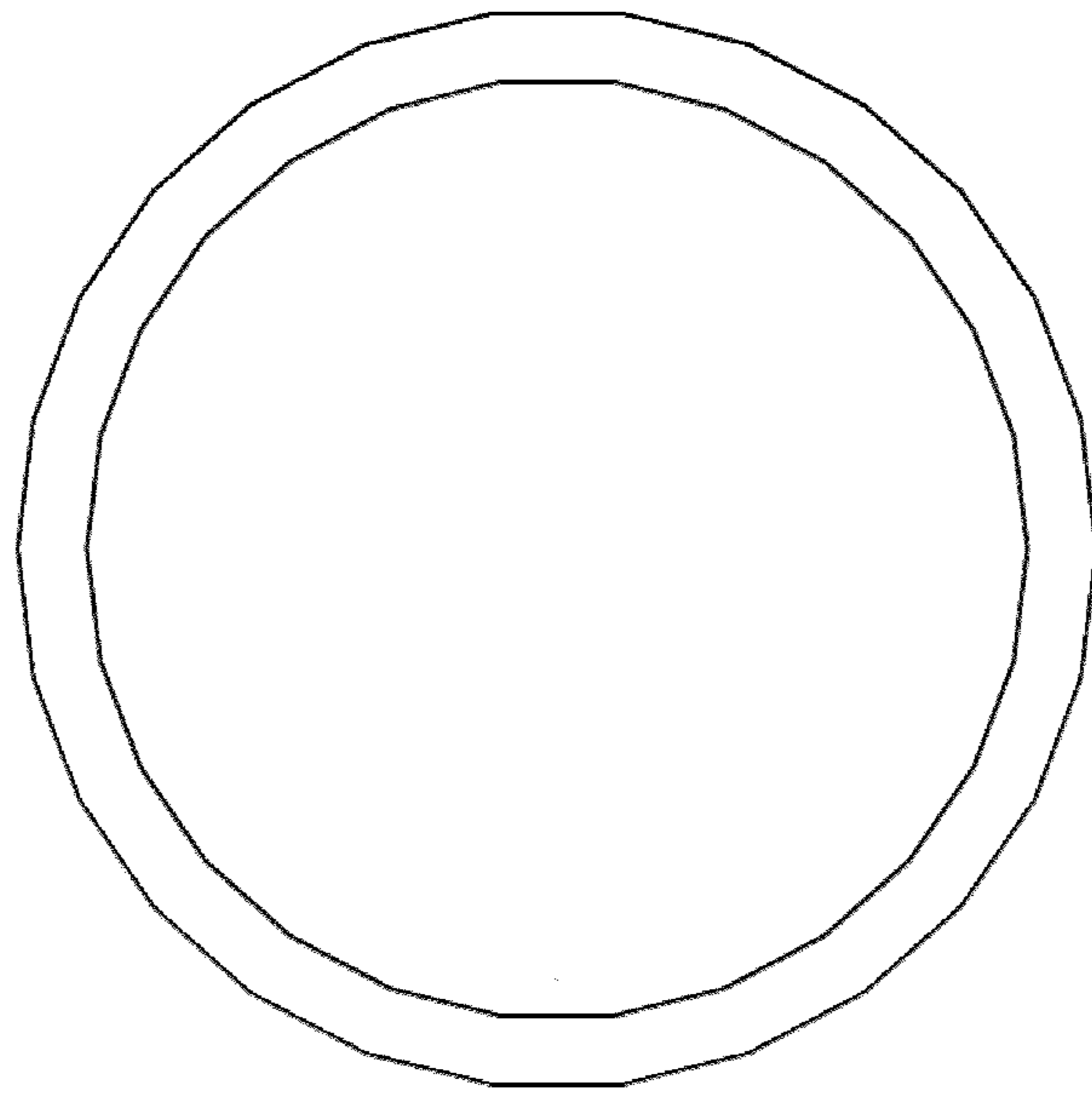


FIG. 4

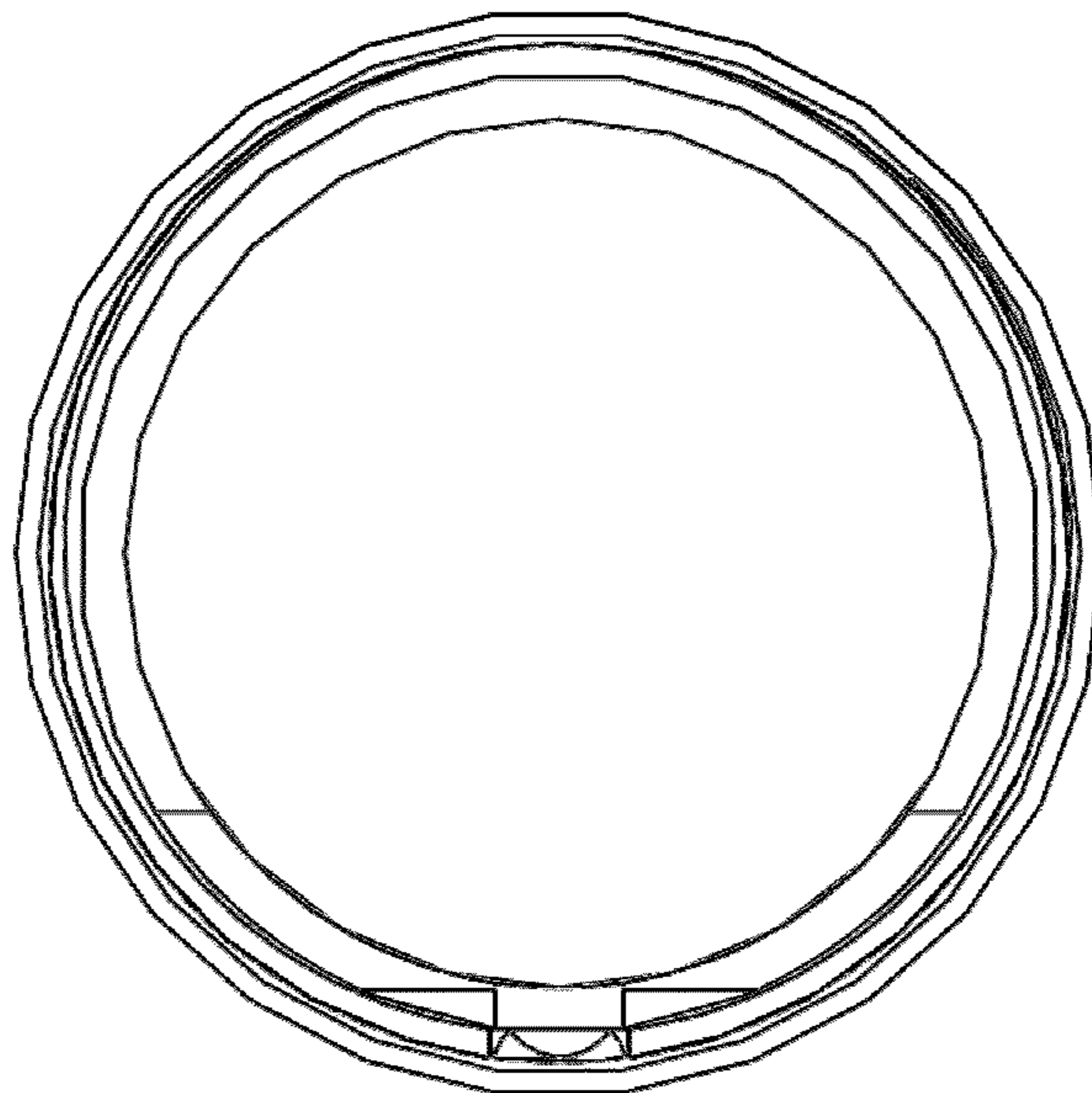


FIG. 5

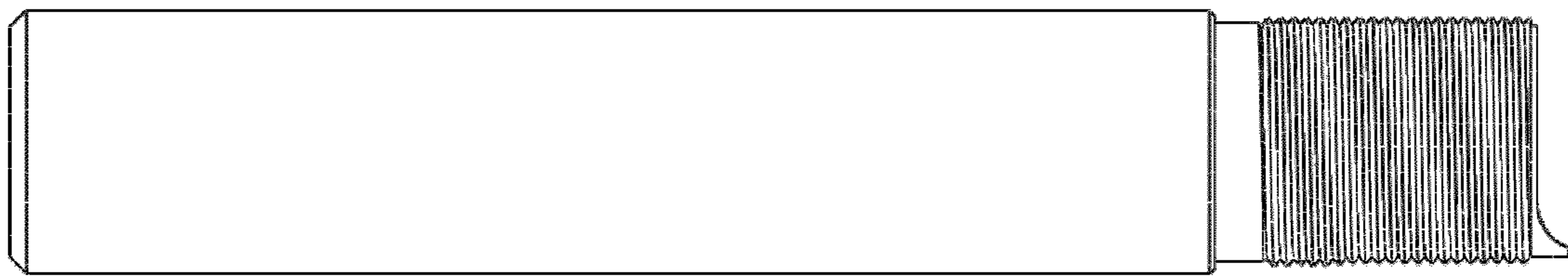


FIG. 6

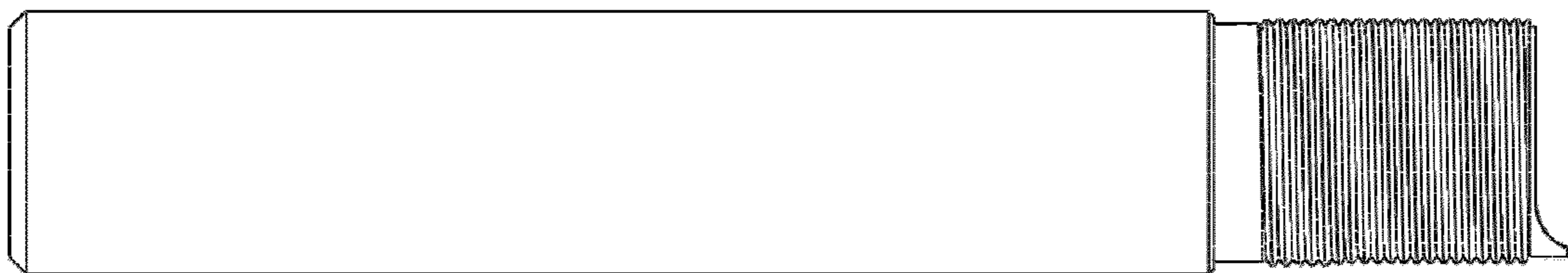


FIG. 7