



US00D717905S

(12) **United States Design Patent**
Prince

(10) **Patent No.:** **US D717,905 S**

(45) **Date of Patent:** **** Nov. 18, 2014**

(54) **AR-15 MAGAZINE RELEASE LOCK**

(71) Applicant: **Darin Prince**, Bonsall, CA (US)

(72) Inventor: **Darin Prince**, Bonsall, CA (US)

(**) Term: **14 Years**

(21) Appl. No.: **29/467,060**

(22) Filed: **Sep. 13, 2013**

Related U.S. Application Data

(63) Continuation-in-part of application No. 29/460,923, filed on Jul. 16, 2013.

(51) **LOC (10) Cl.** **22-01**

(52) **U.S. Cl.**
USPC **D22/108**

(58) **Field of Classification Search**

CPC F41A 9/61; F41A 9/62; F41A 9/63;
F41A 9/64; F41A 9/65; F41A 9/68; F41A
9/69; F41A 9/73; F41A 9/74; F41A 9/75;
F41A 9/79; F41A 9/86; F41A 17/20; F41A
17/22; F41A 17/24; F41A 17/26; F41A 17/28;
F41A 17/30; F41A 17/32; F41A 17/42;
F41A 17/44; F41A 17/46; F41A 17/48;
F41A 17/52; F41A 17/54
USPC D22/100, 108, 199; 42/44, 66, 70.02,
42/70.06, 70.07, 70.11, 150; 70/58, 63,
70/202, 211, 312

See application file for complete search history.

(56) **References Cited**

U.S. PATENT DOCUMENTS

3,676,946 A * 7/1972 Sibia 42/50
D288,279 S * 2/1987 Chesnut D8/349
4,759,144 A * 7/1988 Egan et al. 42/7
5,025,582 A * 6/1991 Mote, Sr. 42/70.06
5,519,954 A * 5/1996 Garrett 42/6
D428,101 S * 7/2000 Rost et al. D22/108

6,141,895 A * 11/2000 Rost et al. 42/6
6,173,519 B1 1/2001 Garrett
6,722,253 B2 * 4/2004 Johnson 89/1.42
7,921,587 B2 * 4/2011 Mayberry 42/6
8,713,832 B2 * 5/2014 Troy et al. 42/6
8,776,426 B1 * 7/2014 Symonds 42/90
2006/0123683 A1 * 6/2006 Garrett et al. 42/6
2009/0031605 A1 2/2009 Robinson
2014/0053444 A1 * 2/2014 Garrett 42/6
2014/0075810 A1 * 3/2014 Mikrouli 42/50

* cited by examiner

Primary Examiner — Michael A Pratt

(74) *Attorney, Agent, or Firm* — QuickPatents; Kevin Prince

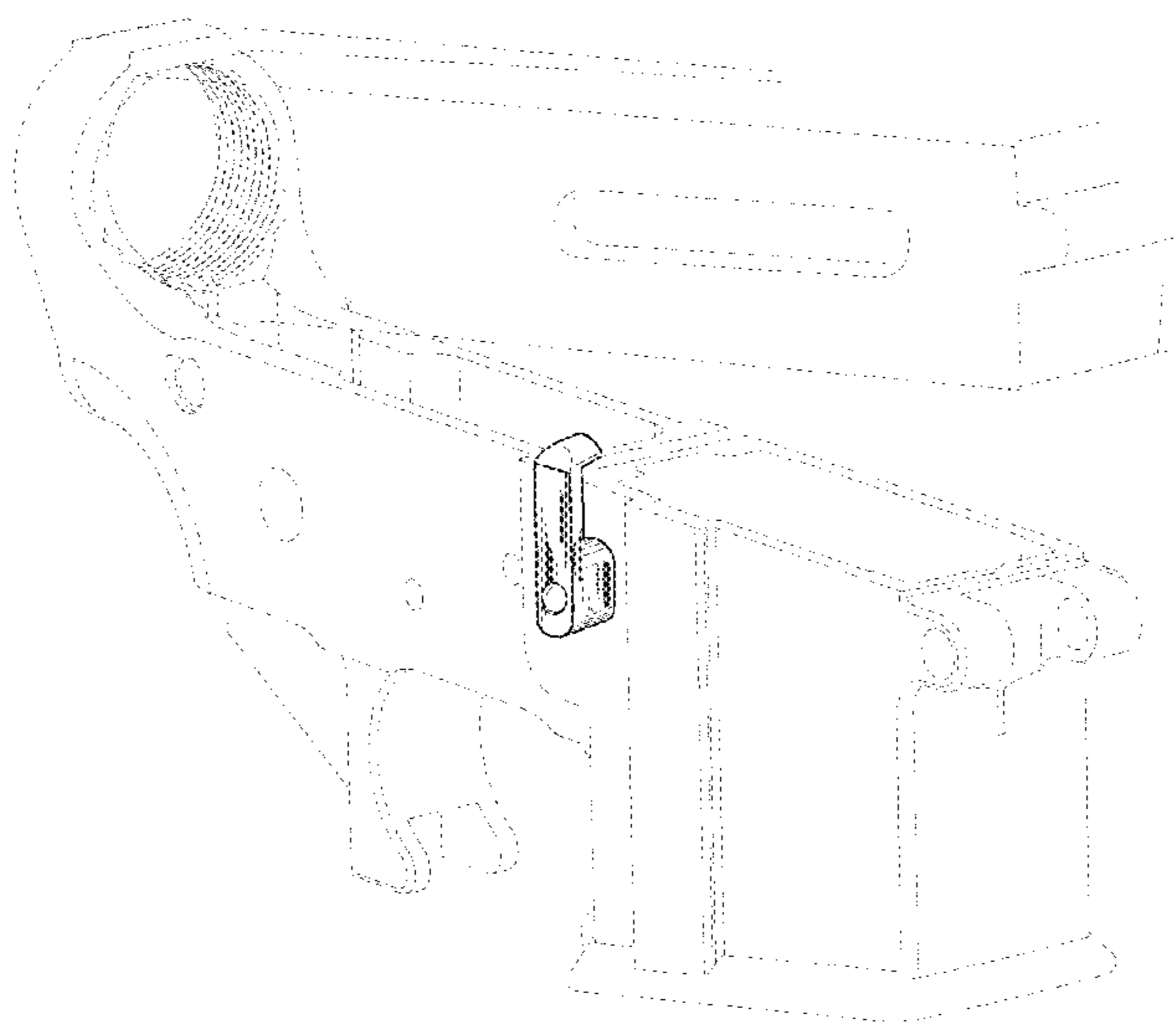
(57) **CLAIM**

I claim the ornamental design for a AR-15 magazine release lock, as shown and described.

DESCRIPTION

FIG. 1 is a front perspective view of a AR-15 magazine release lock, showing my new design;
FIG. 2 is a rear perspective view thereof, illustrating a body of the design with a screw insert and a plug omitted for clarity of illustration;
FIG. 3 is a front elevational view of FIG. 2;
FIG. 4 is a rear elevational view of FIG. 2;
FIG. 5 is a right-side elevational view of FIG. 2, the left-side elevational view being a mirror image thereof;
FIG. 6 is a top plan view of FIG. 2;
FIG. 7 is a bottom plan view of FIG. 2;
FIG. 8 is a cross-sectional view thereof, taken along lines 8-8 of FIG. 3 and including the screw insert and plug;
FIG. 9 is an exploded cross-sectional view of FIG. 8;
FIG. 10 is an exploded rear perspective view of FIG. 1; and, FIG. 11 is an exploded front perspective view of FIG. 1.
The broken lines showing a portion of an AR-15 firearm in FIG. 1 depict environmental matter and form no part of the claimed design.

1 Claim, 5 Drawing Sheets



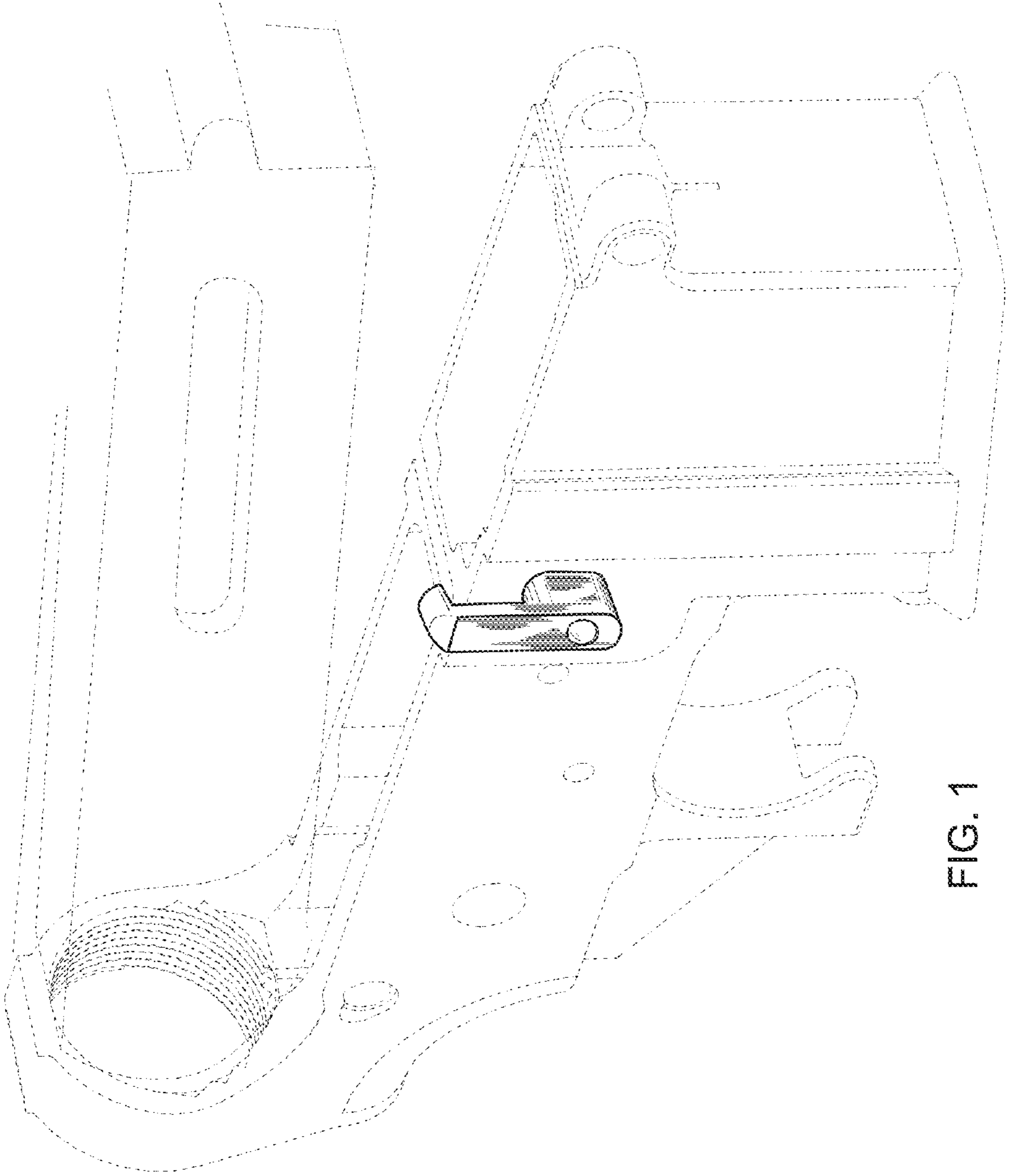


FIG. 1

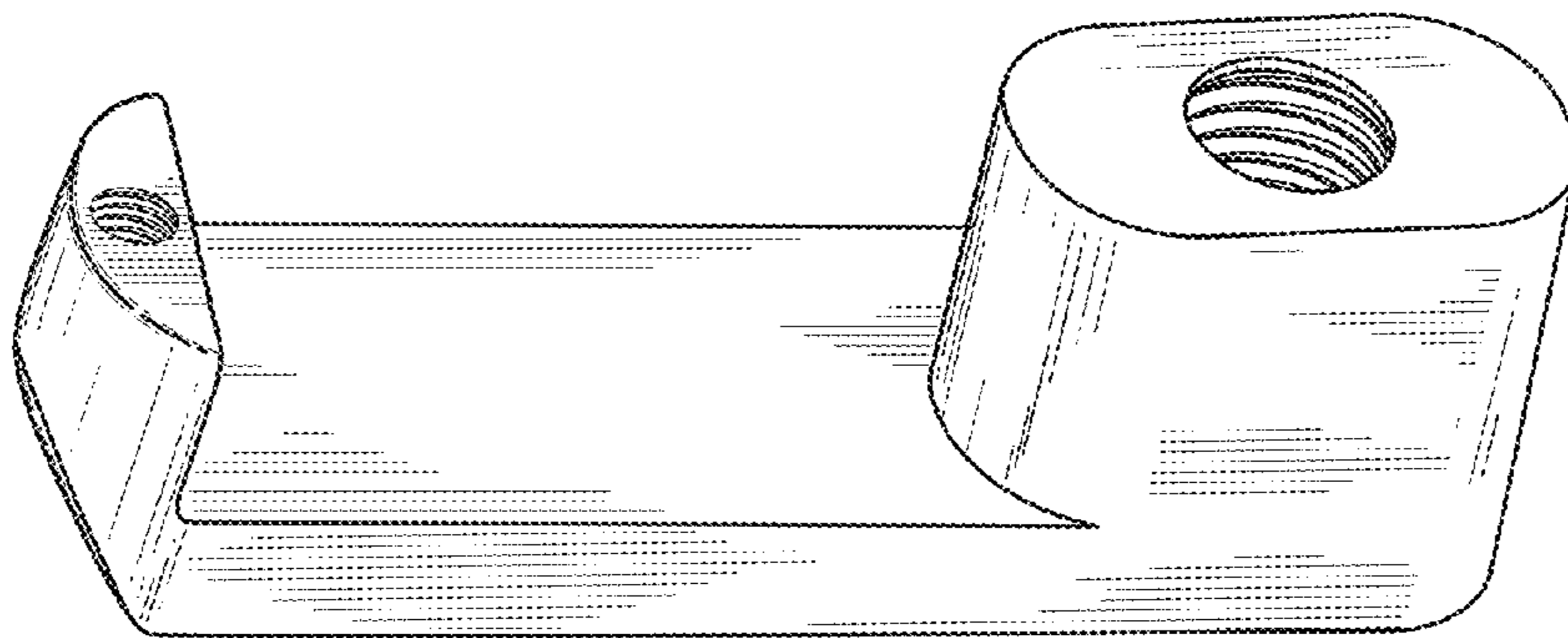


FIG. 2

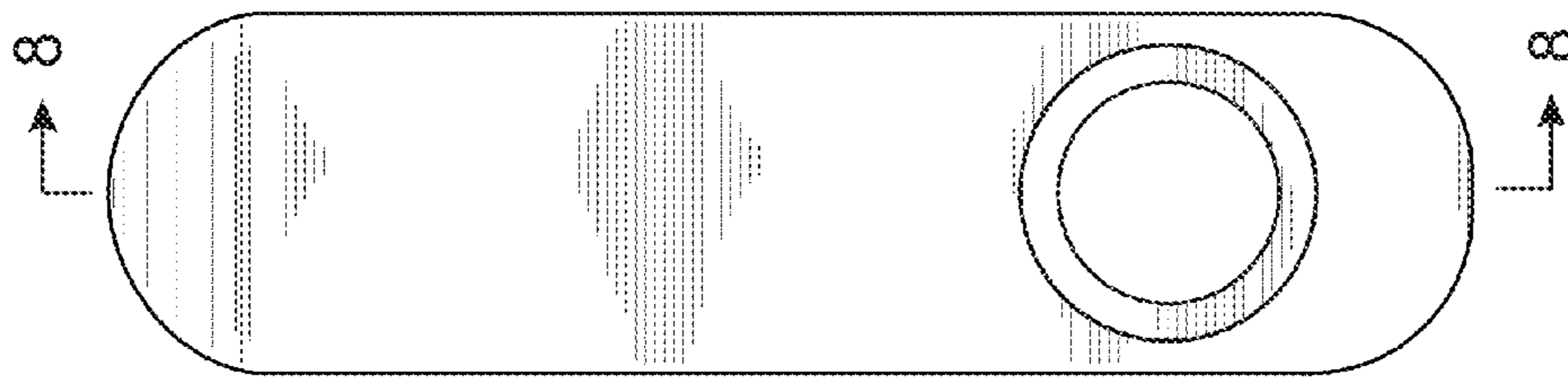


FIG. 3

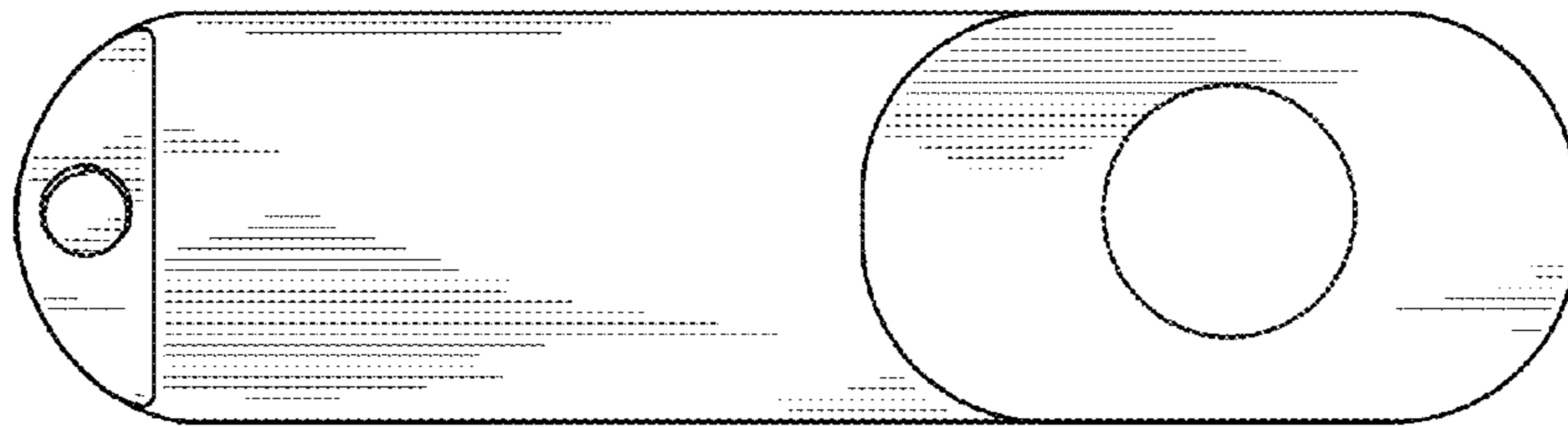


FIG. 4

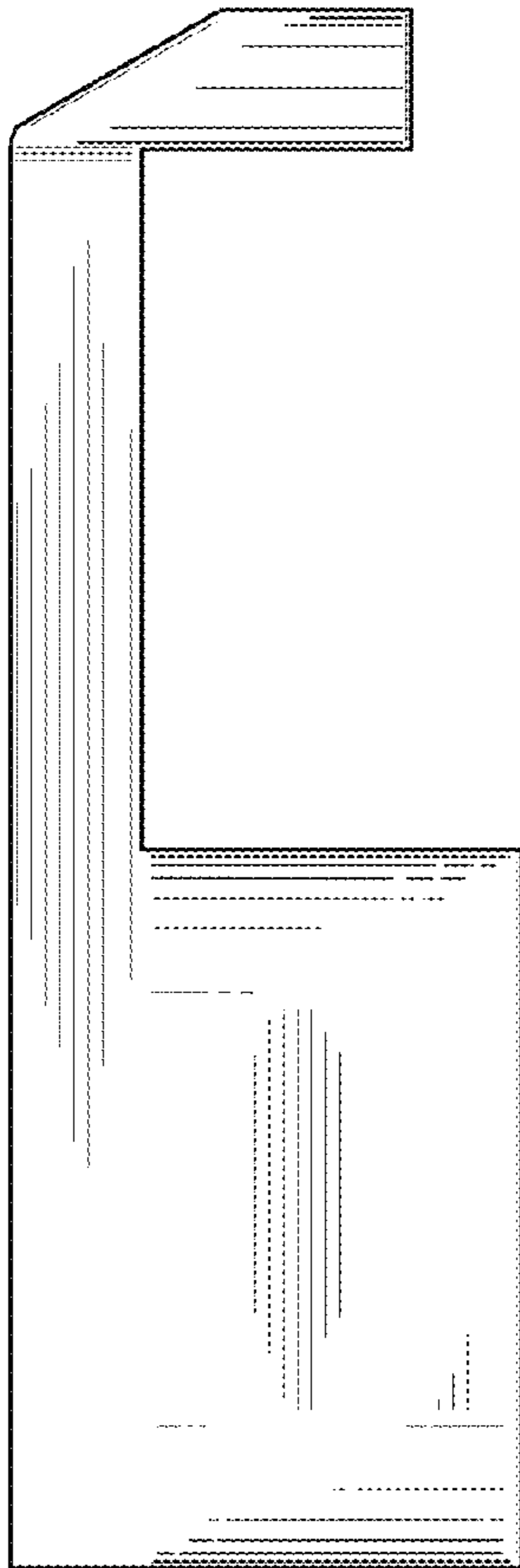


FIG. 5

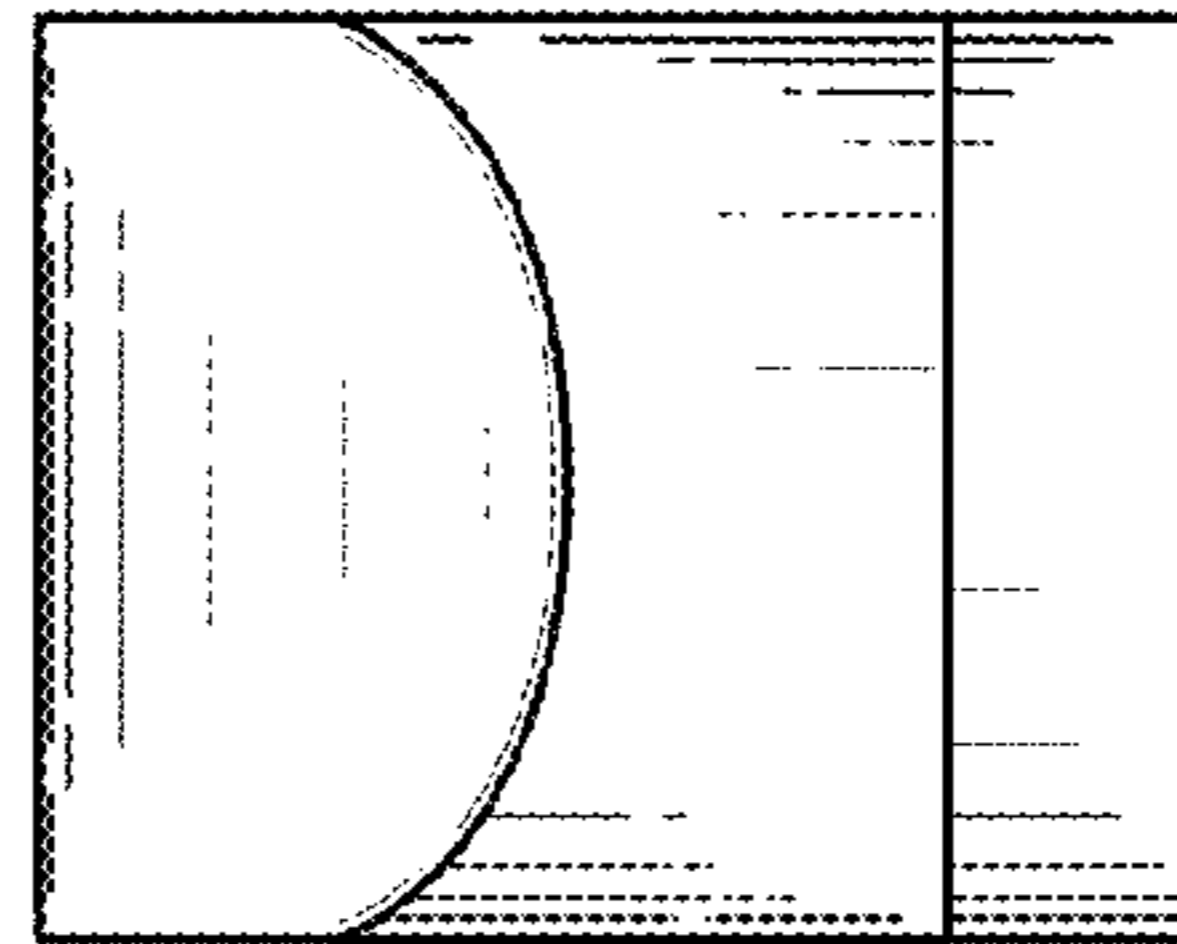


FIG. 6

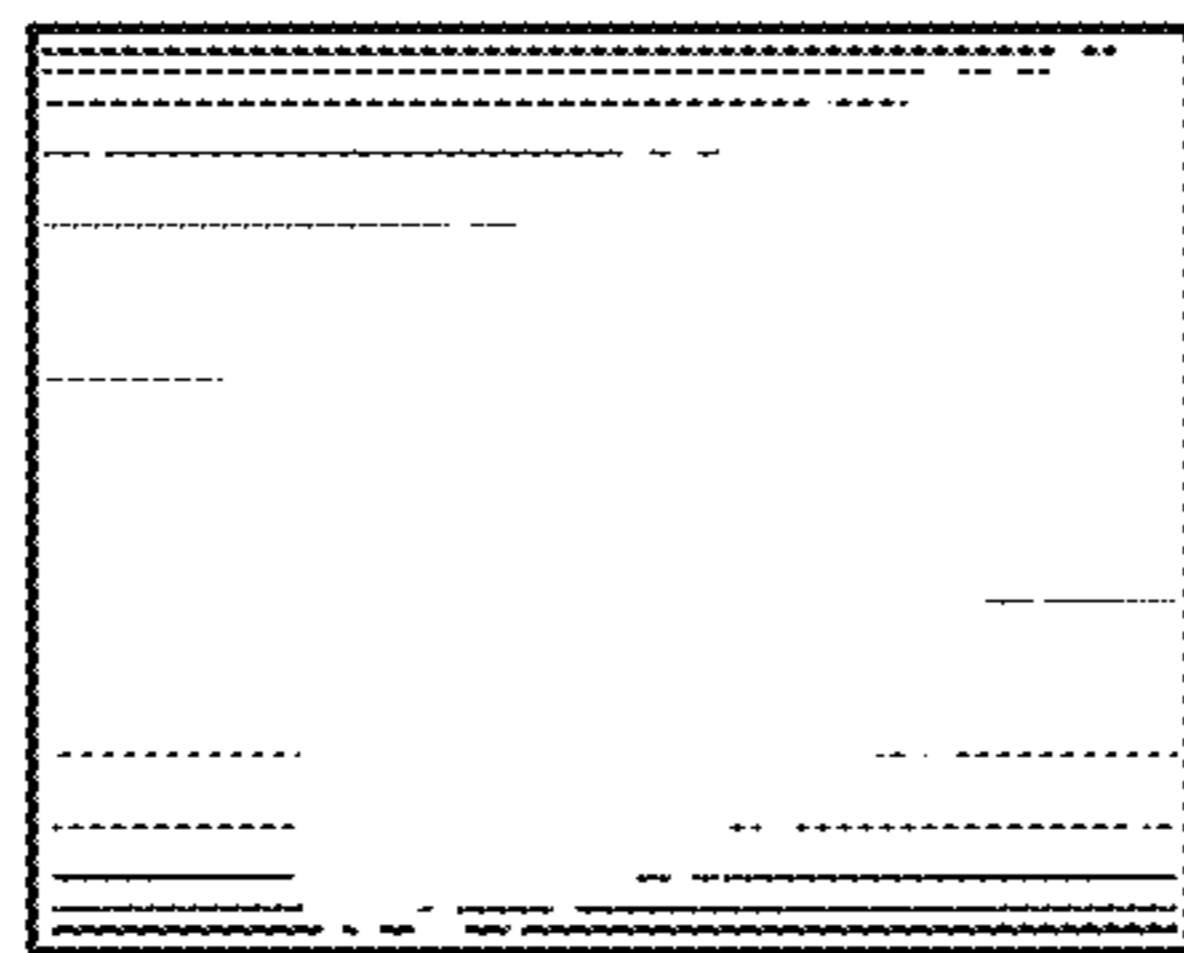


FIG. 7

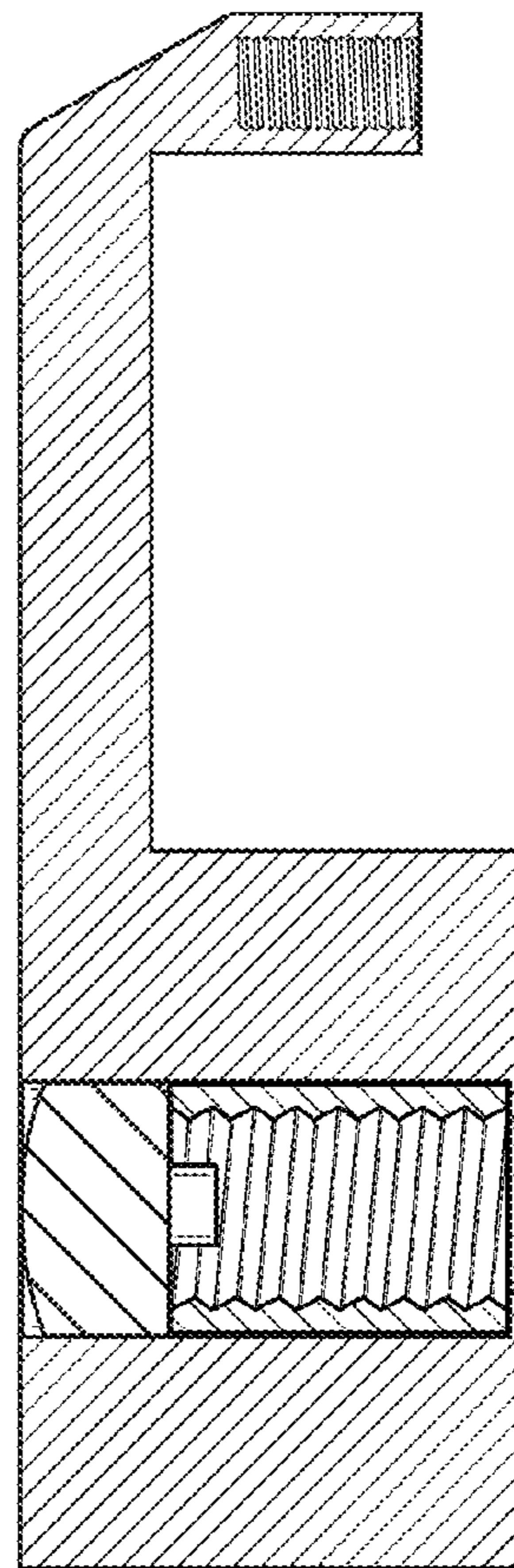


FIG. 8

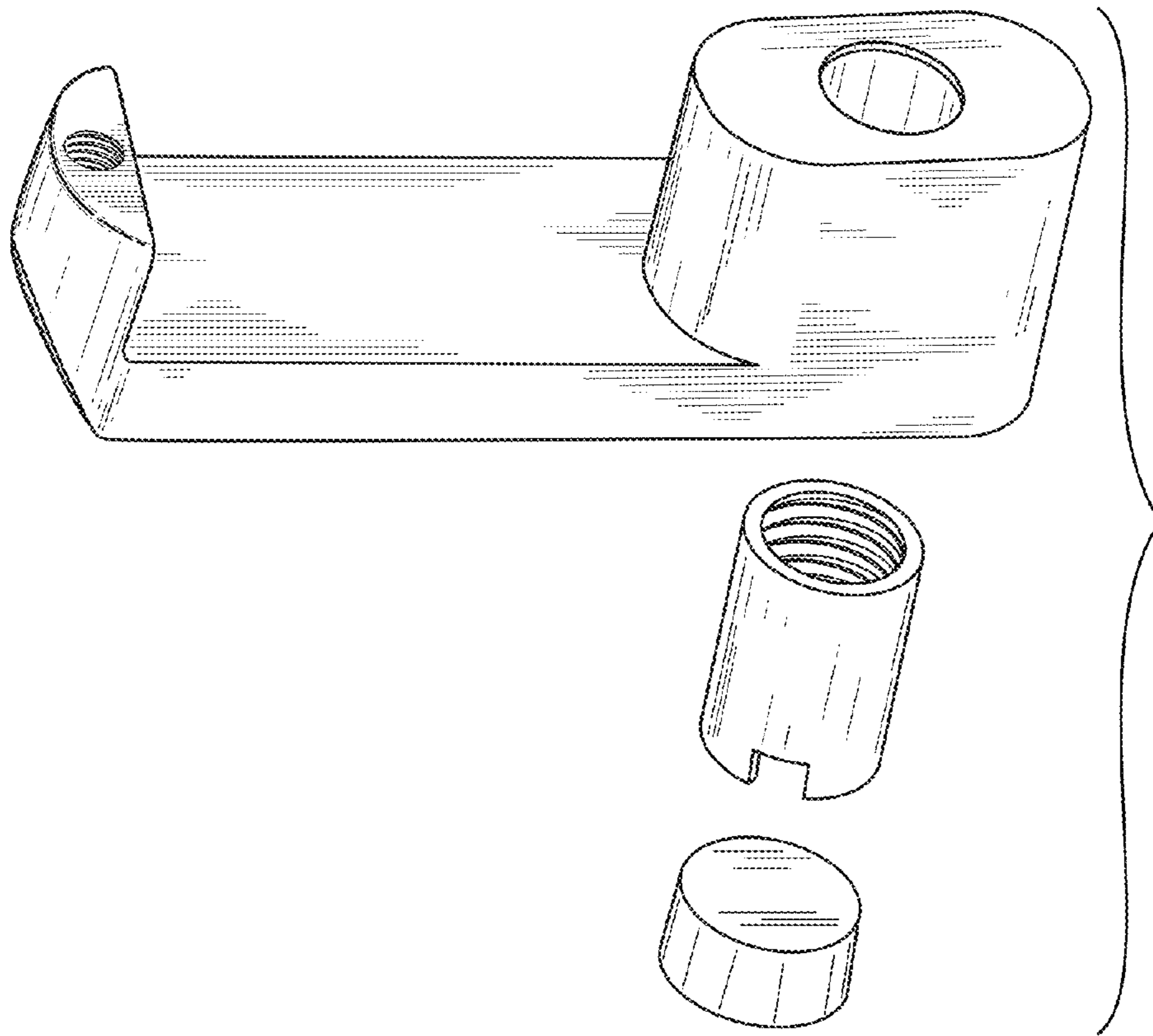


FIG. 10

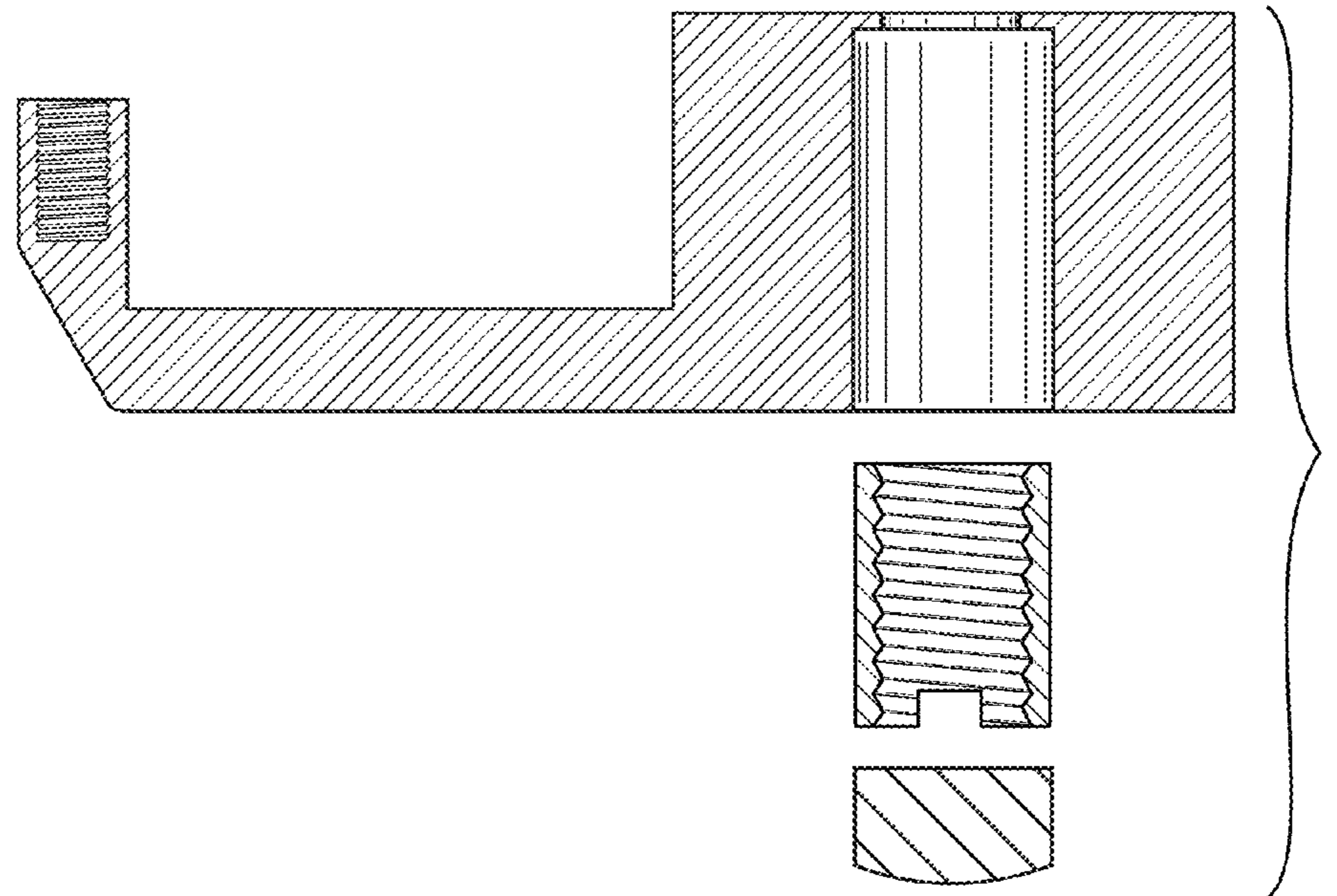


FIG. 9

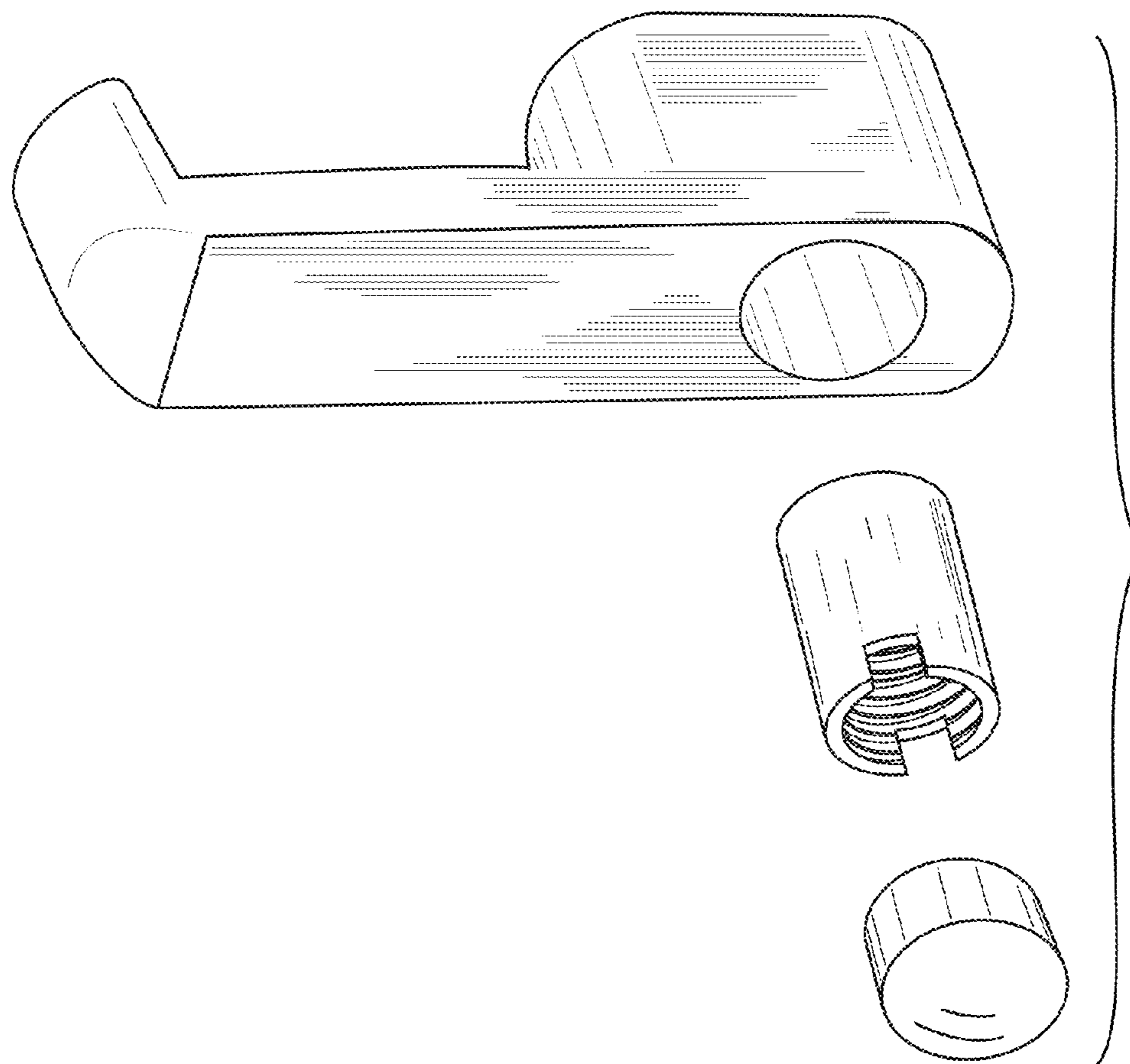


FIG. 11