



US00D717904S

(12) **United States Design Patent**  
**Oglesby**

(10) **Patent No.:** **US D717,904 S**

(45) **Date of Patent:** **\*\* Nov. 18, 2014**

(54) **UPPER RECEIVER FOR A FIREARM**

(71) Applicant: **Paul Oglesby, Darley (GB)**

(72) Inventor: **Paul Oglesby, Darley (GB)**

(\*\*) Term: **14 Years**

(21) Appl. No.: **29/464,940**

(22) Filed: **Aug. 22, 2013**

(51) **LOC (10) Cl.** ..... **22-01**

(52) **U.S. Cl.**  
USPC ..... **D22/108**

(58) **Field of Classification Search**  
CPC ..... F41C 7/00; F41C 7/11; F41C 7/12  
USPC ..... D22/100, 101, 103, 104, 108, 199;  
D21/572-575; 42/51, 71.01, 75.01,  
42/75.02, 90, 94, 134, 136, 139, 125, 72,  
42/111; 89/40.06, 41.19, 37.04, 33.04,  
89/191.01, 200-204; 124/67, 66, 72, 74  
See application file for complete search history.

(56) **References Cited**

**U.S. PATENT DOCUMENTS**

D285,236	S *	8/1986	Brunton	.....	D22/108
D503,959	S *	4/2005	Wardle	.....	D22/108
7,832,326	B1 *	11/2010	Barrett	.....	89/191.01
D631,933	S *	2/2011	Thompson	.....	D22/108
8,230,634	B1 *	7/2012	Davies et al.	.....	42/75.02
8,464,453	B1 *	6/2013	Ubl et al.	.....	42/16
2011/0214327	A1 *	9/2011	Desomma	.....	42/75.02
2012/0111183	A1 *	5/2012	Hochstrate et al.	.....	89/193
2012/0137562	A1 *	6/2012	Langevin et al.	.....	42/75.03

2012/0167424	A1 *	7/2012	Gomez	.....	42/14
2013/0068089	A1 *	3/2013	Brown	.....	89/193
2013/0174457	A1 *	7/2013	Gangl et al.	.....	42/16
2013/0219763	A1 *	8/2013	Nunes	.....	42/16

\* cited by examiner

*Primary Examiner* — Michael A Pratt

(74) *Attorney, Agent, or Firm* — Shaddock Law Group, PC

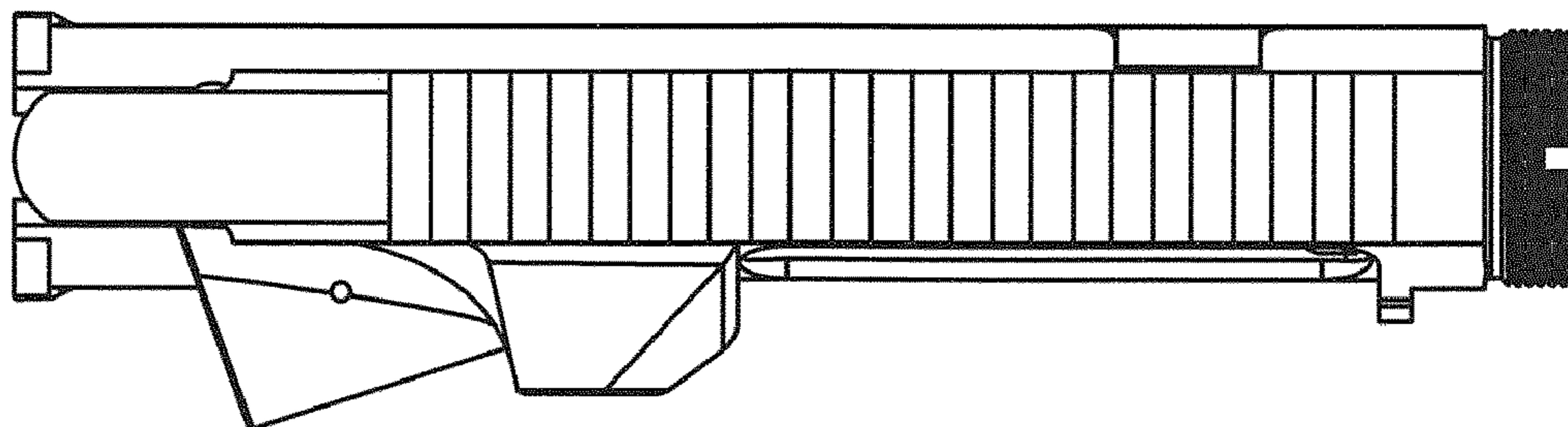
(57) **CLAIM**

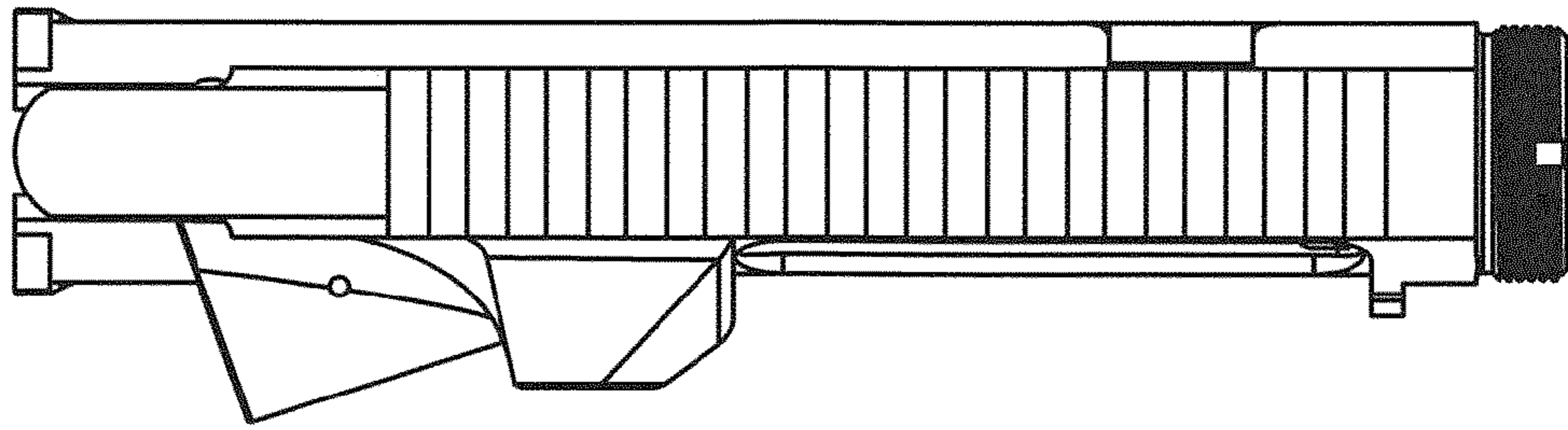
The ornamental design for an upper receiver for a firearm, substantially as shown and described.

**DESCRIPTION**

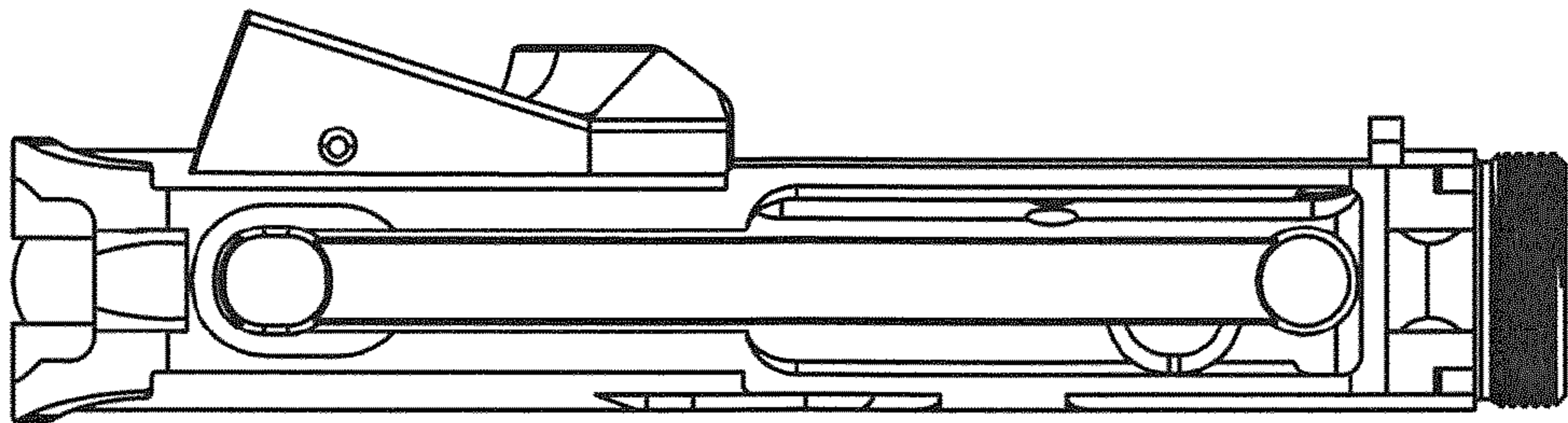
FIG. 1 is a top plan view of a first exemplary embodiment of the upper receiver for a firearm, showing my new design; FIG. 2 is a bottom plan view thereof; FIG. 3 is a right side view thereof; FIG. 4 is a left side view thereof; FIG. 5 is a front view thereof; FIG. 6 is a rear view thereof; FIG. 7 is an upper, right front perspective view thereof; FIG. 8 is an upper, right rear perspective view thereof; FIG. 9 is an upper, left front perspective view thereof; FIG. 10 is an upper, left rear perspective view thereof; FIG. 11 is a lower, right rear perspective view thereof; FIG. 12 is a lower, left rear perspective view thereof; FIG. 13 is an lower, left front perspective view thereof; and, FIG. 14 is a lower, right front perspective view thereof.

**1 Claim, 6 Drawing Sheets**

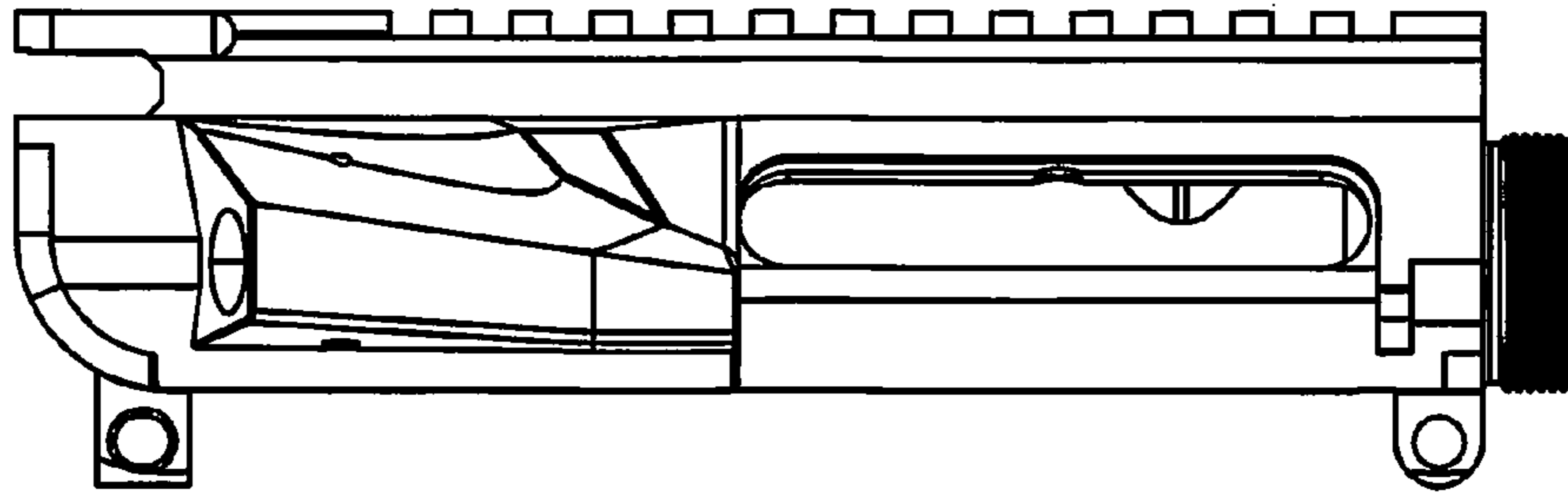




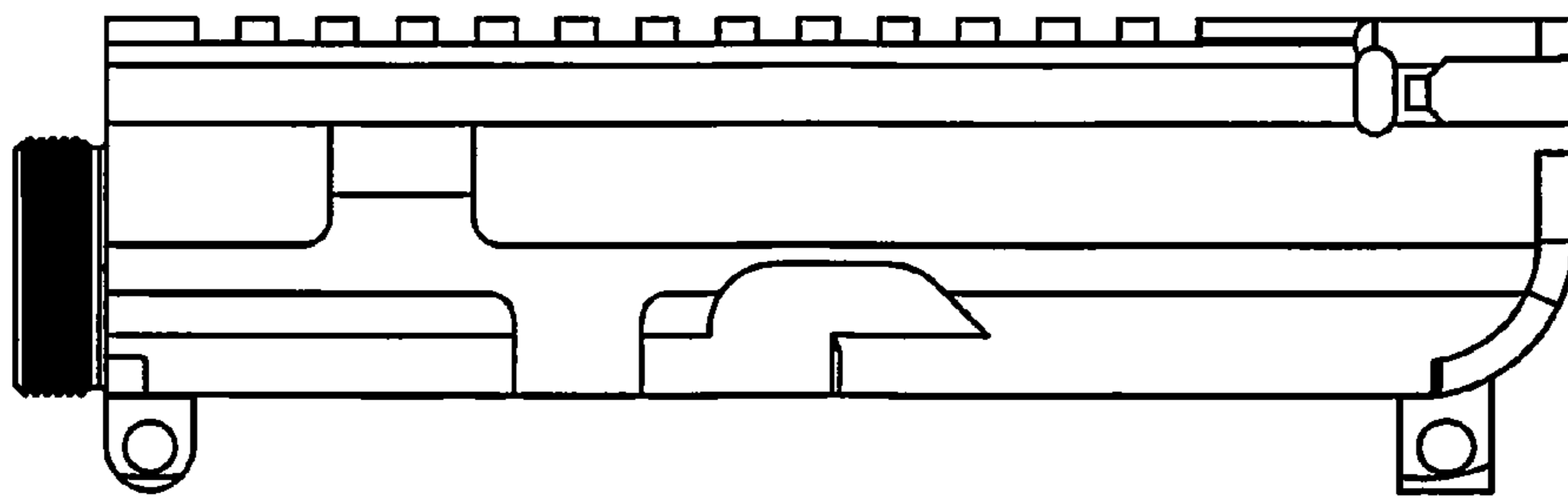
*FIG. 1*



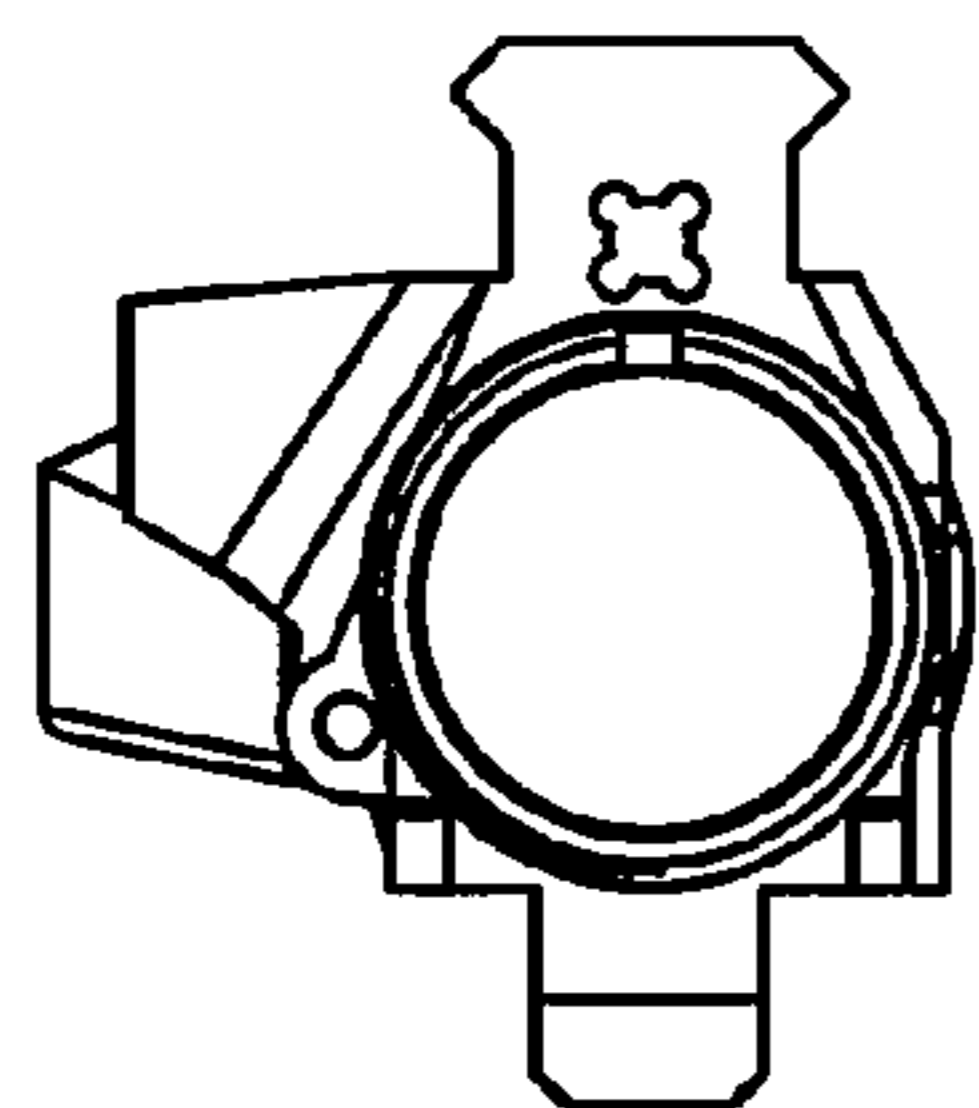
*FIG. 2*



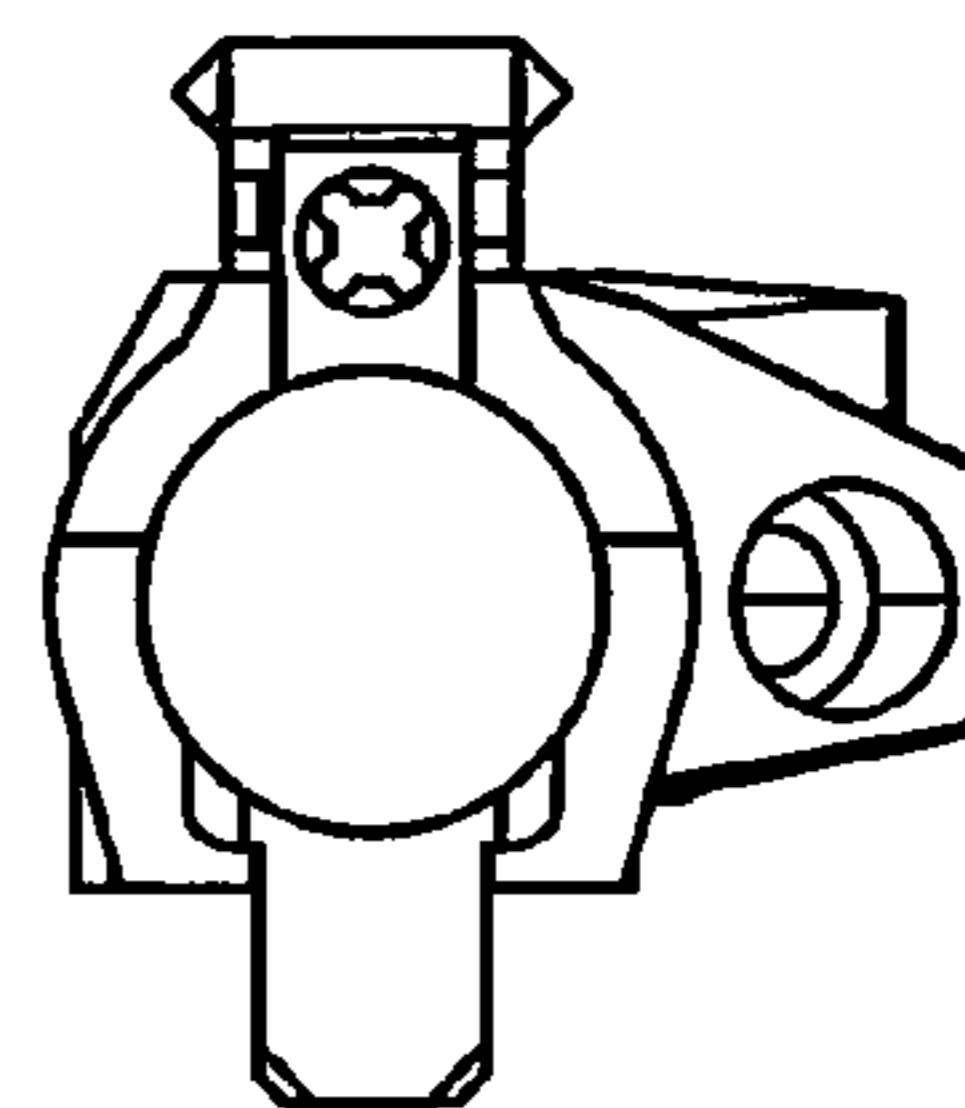
*FIG. 3*



*FIG. 4*

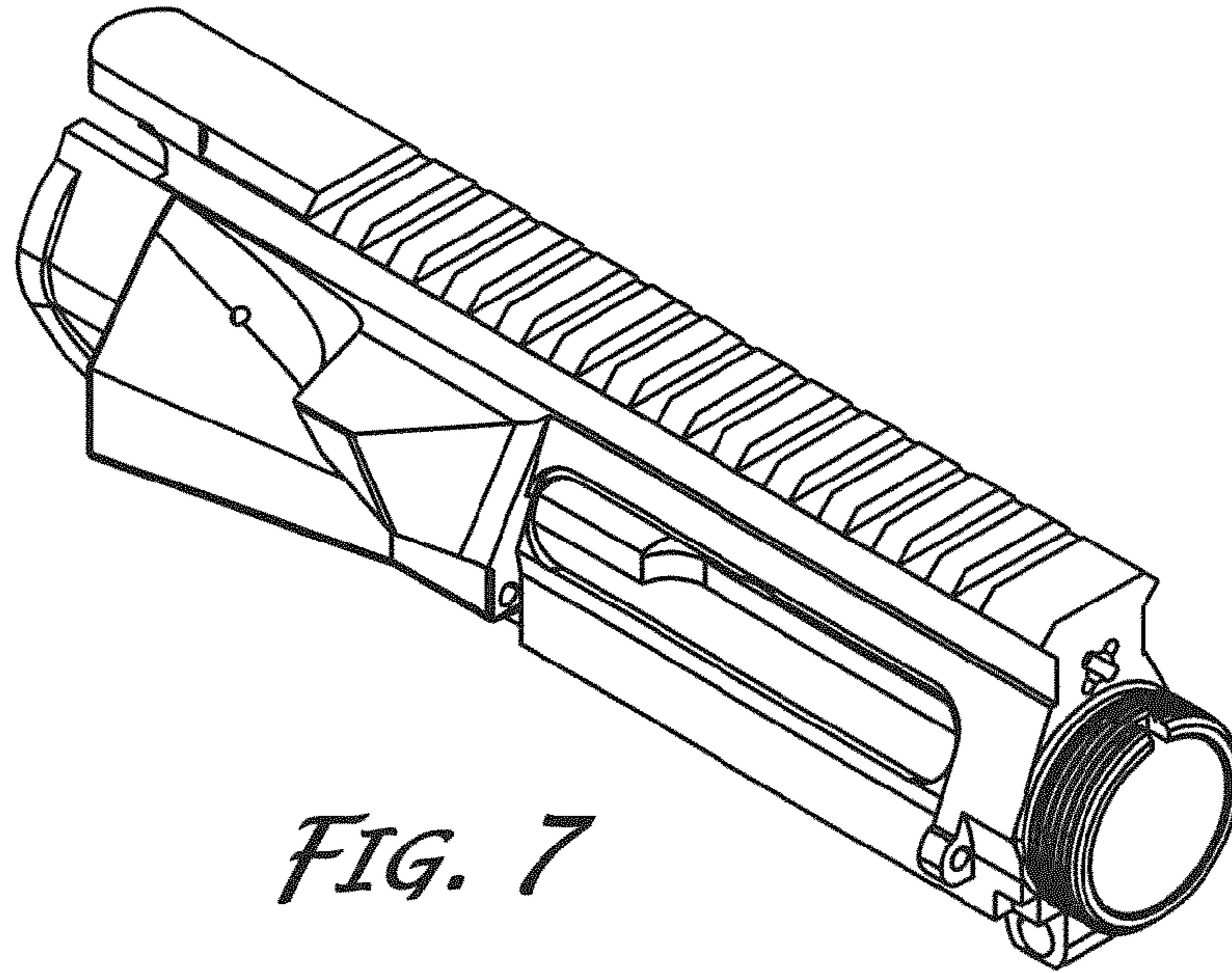


*FIG. 5*

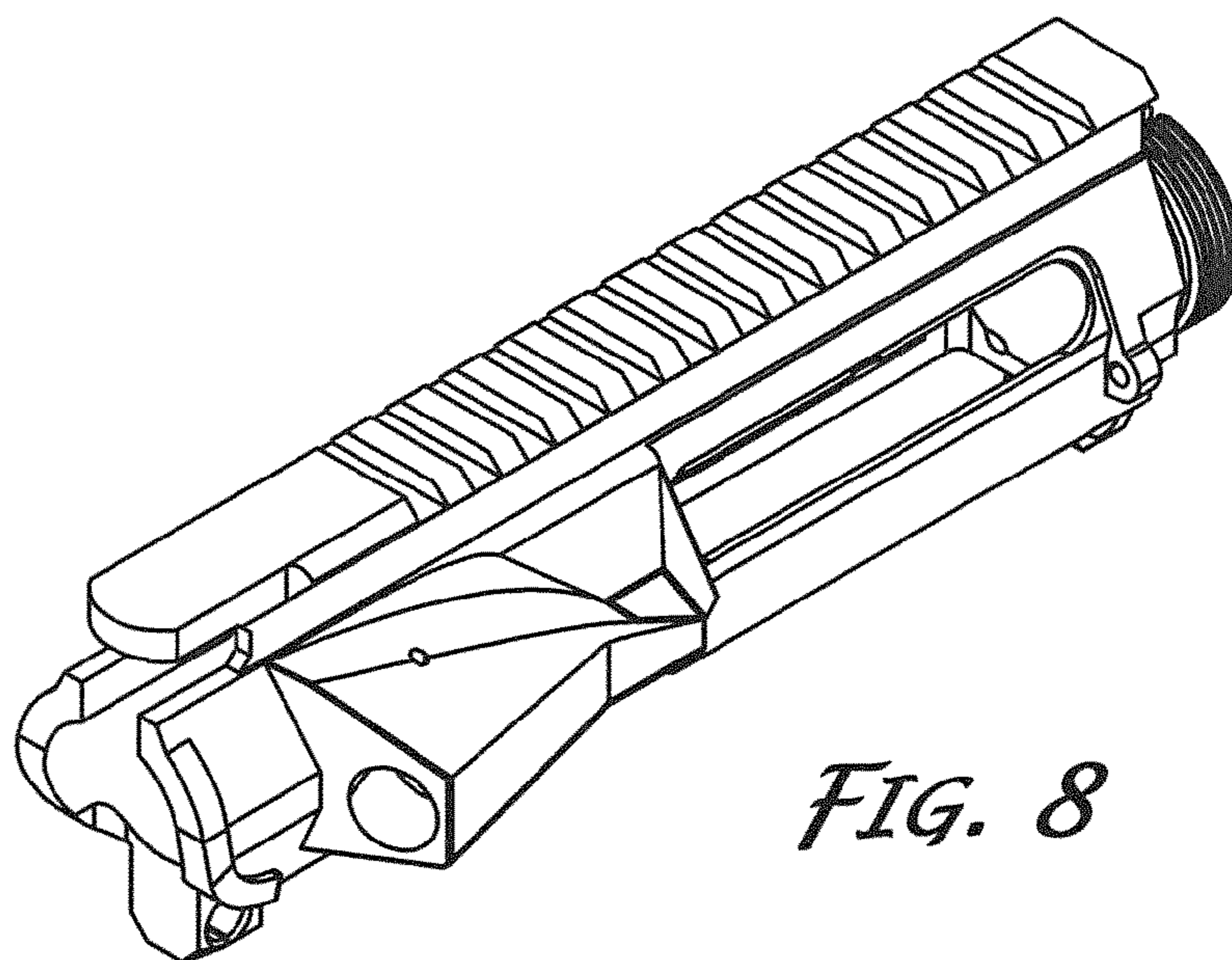


*FIG. 6*

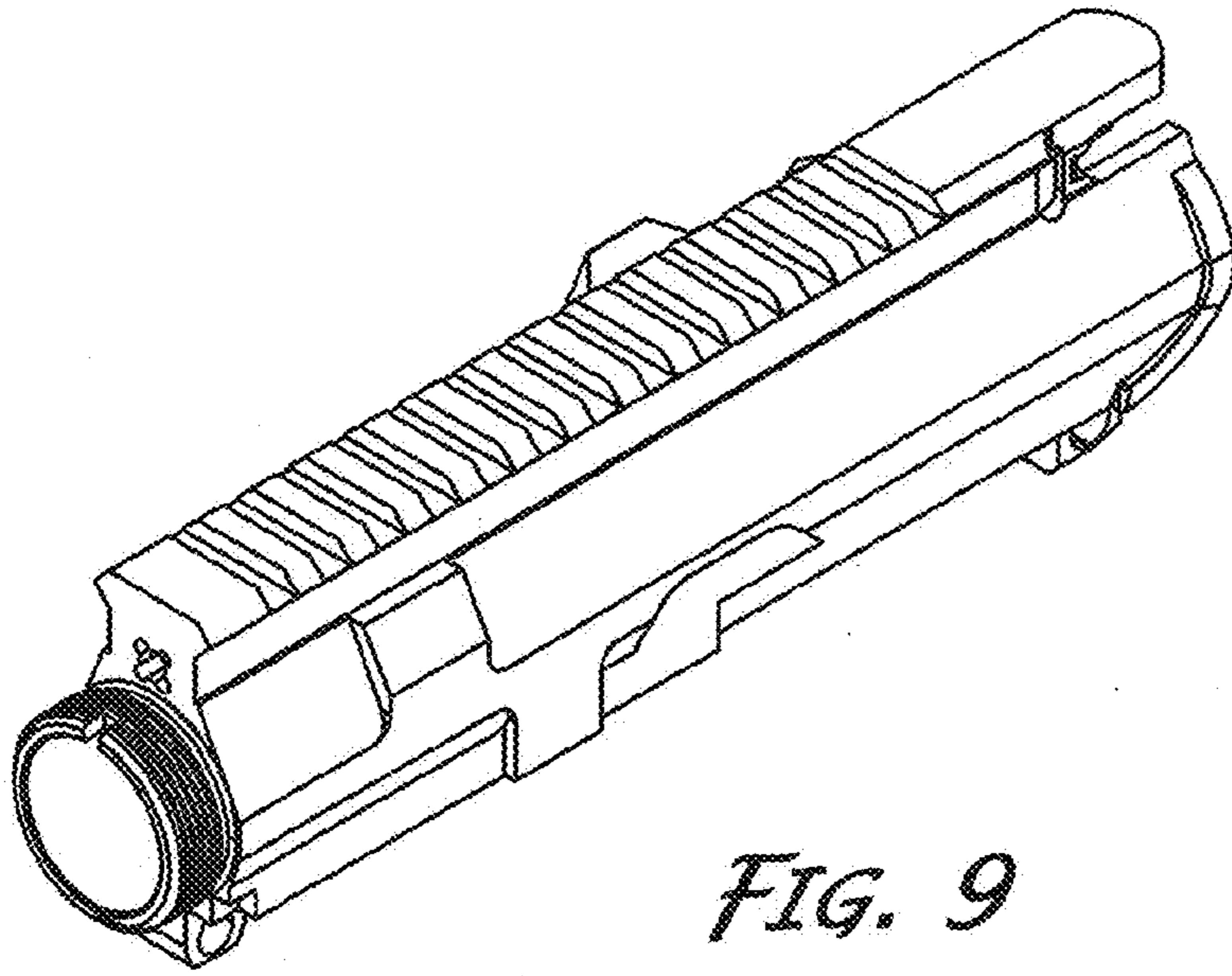




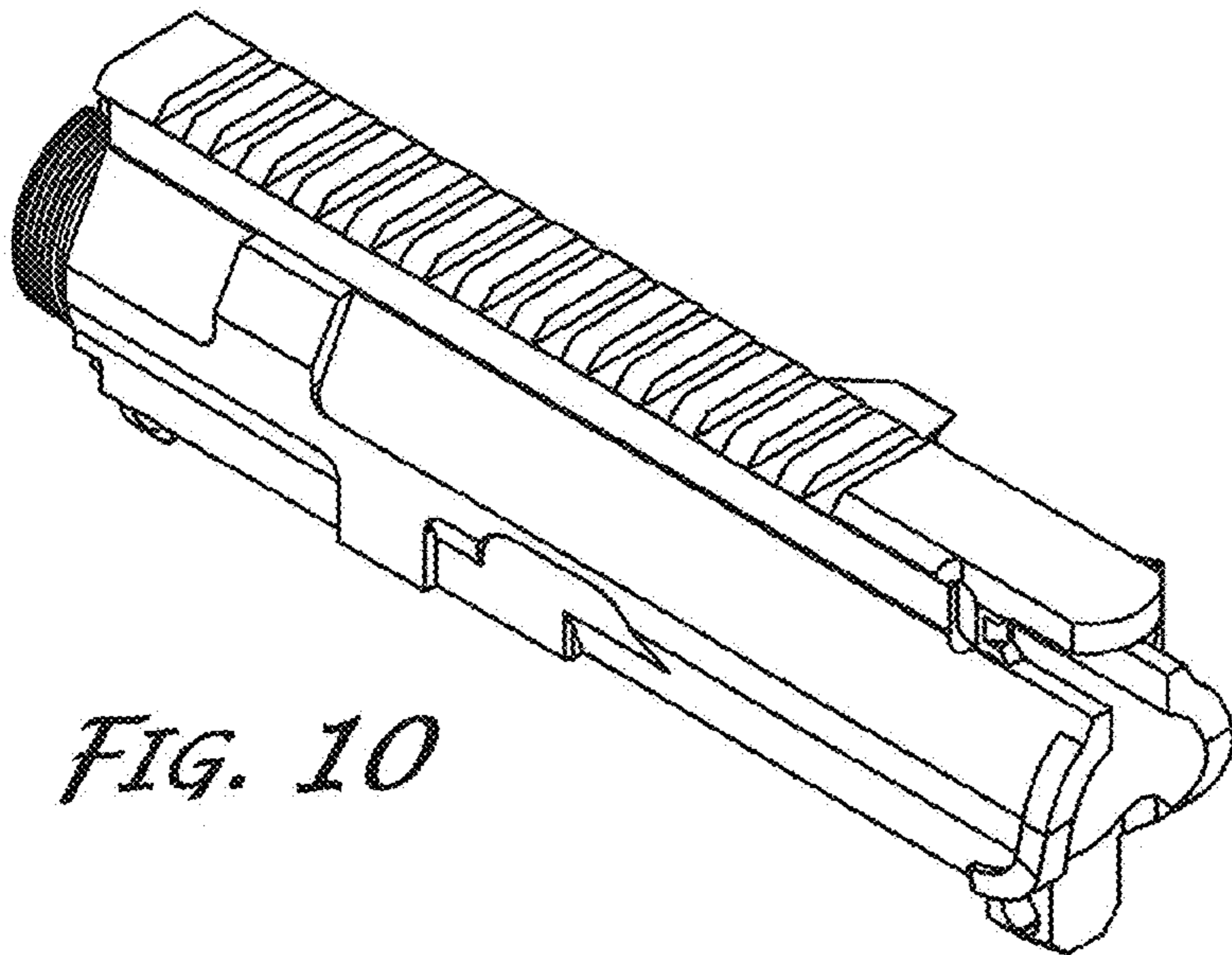
*FIG. 7*



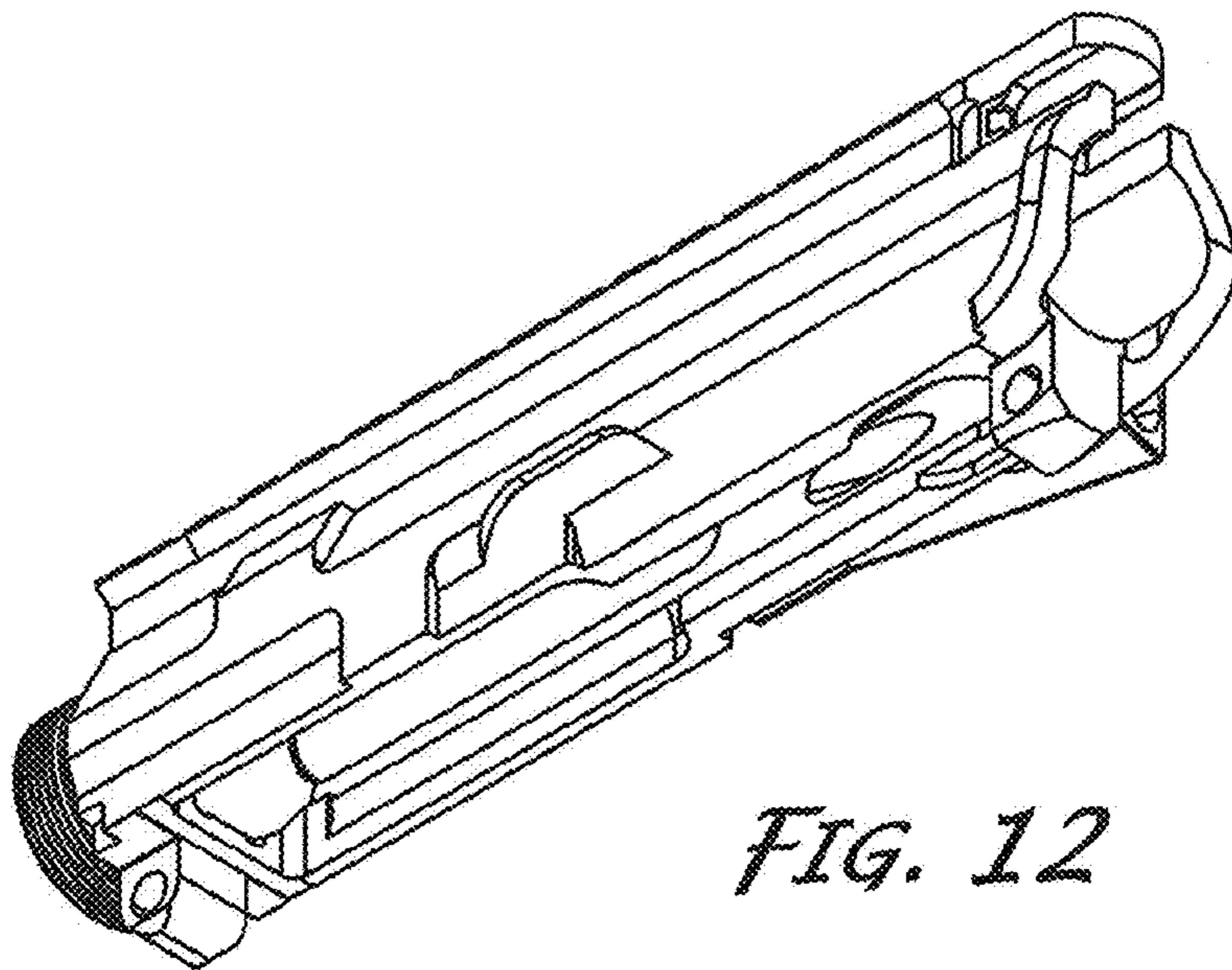
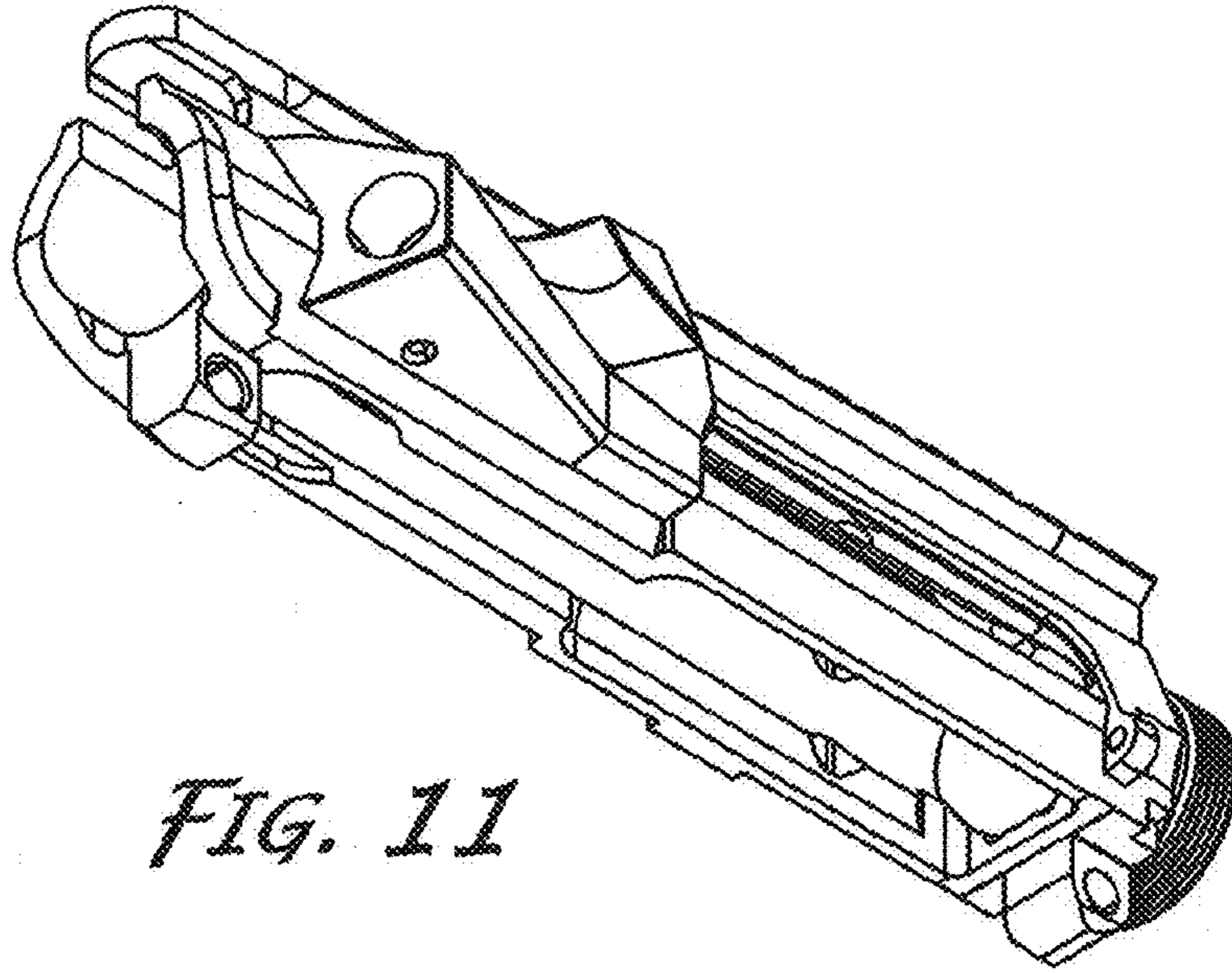
*FIG. 8*



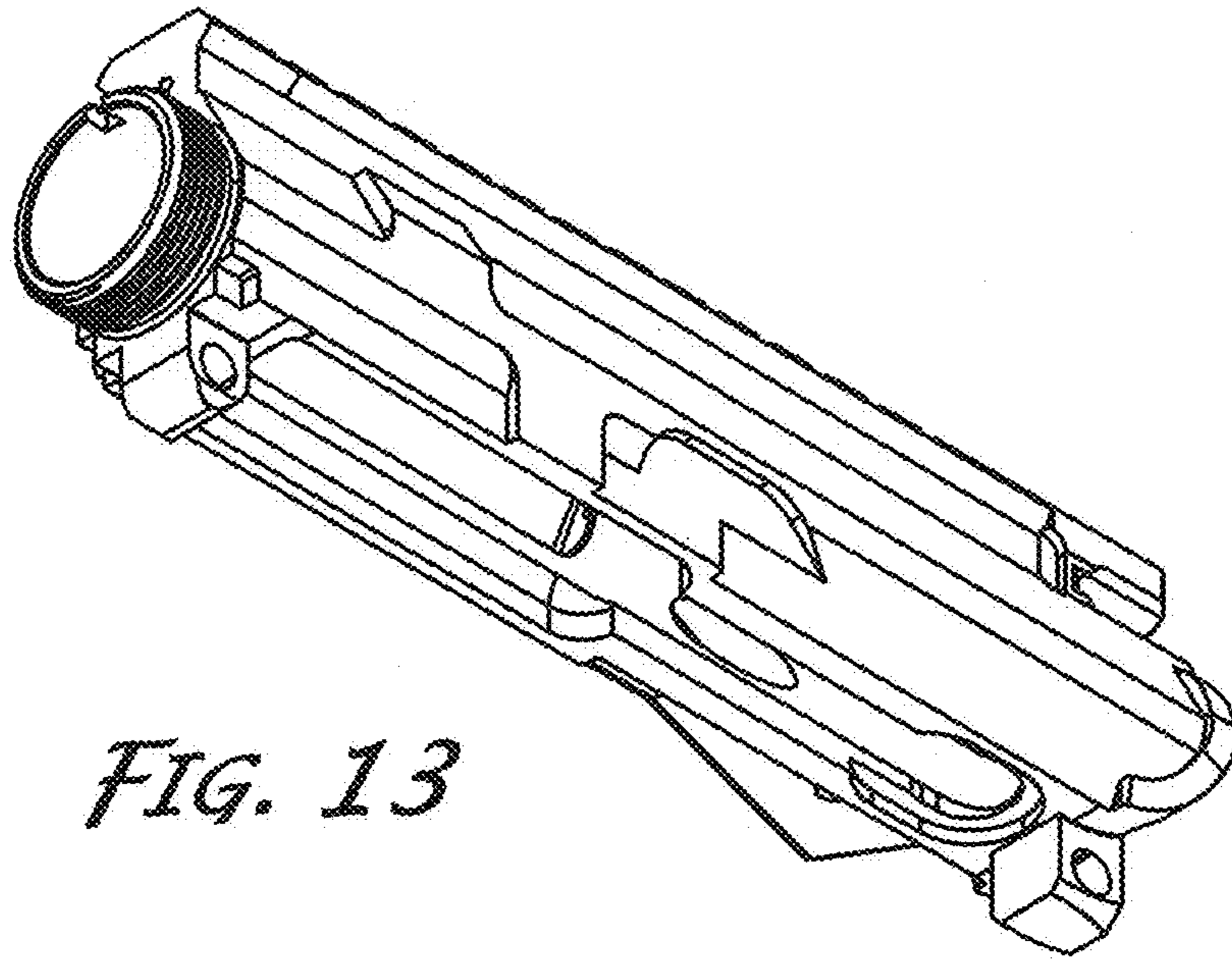
*FIG. 9*



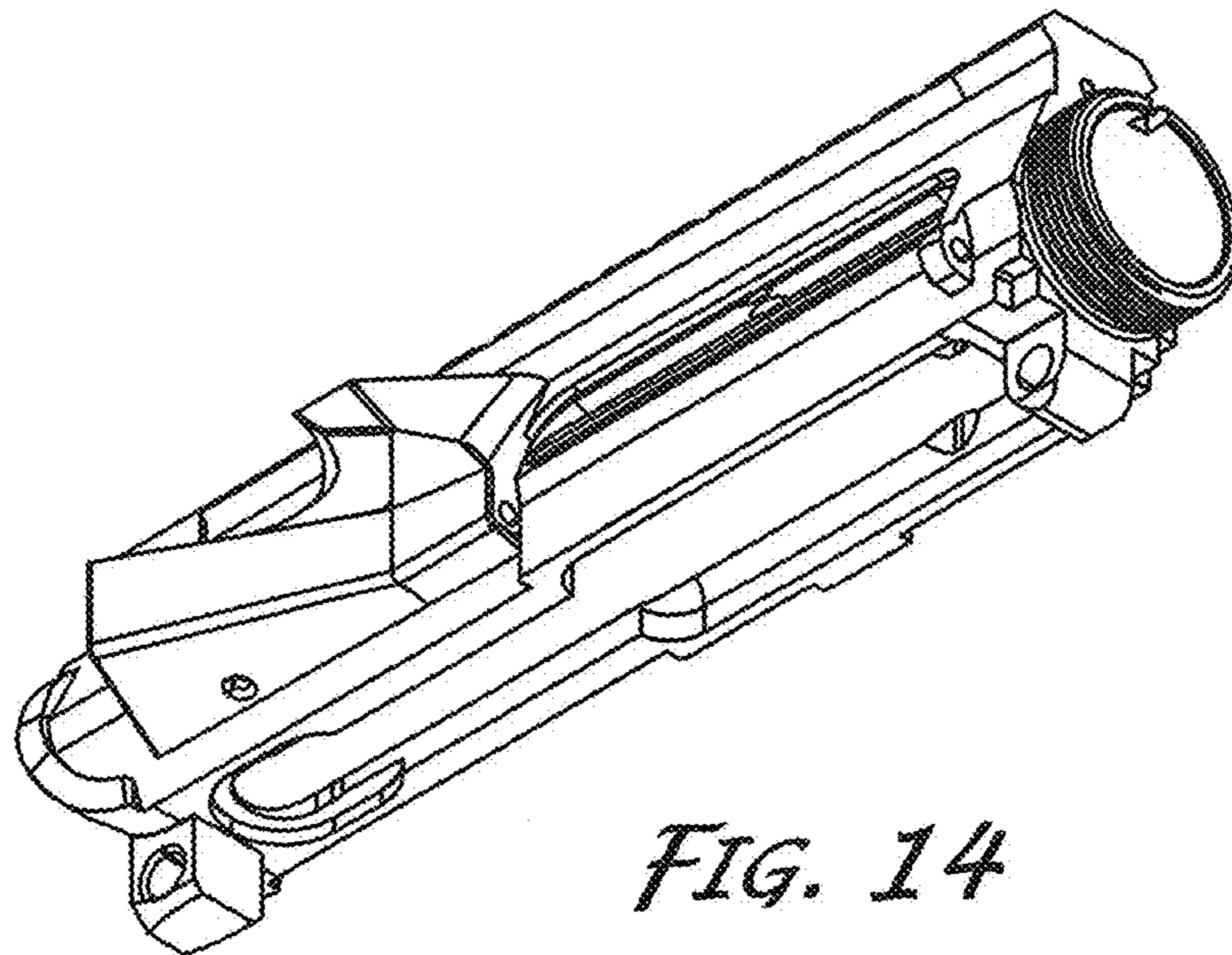
*FIG. 10*







*FIG. 13*



*FIG. 14*