



US00D717903S

(12) **United States Design Patent**
Prince

(10) **Patent No.:** **US D717,903 S**

(45) **Date of Patent:** **** Nov. 18, 2014**

(54) **FOLDING FIREARM HANDLE**

(71) Applicant: **Darin Prince**, Bonsall, CA (US)

(72) Inventor: **Darin Prince**, Bonsall, CA (US)

(**) Term: **14 Years**

(21) Appl. No.: **29/460,924**

(22) Filed: **Jul. 16, 2013**

(51) **LOC (10) Cl.** **22-01**

(52) **U.S. Cl.**
USPC **D22/108**

(58) **Field of Classification Search**
CPC F41C 23/10; F41C 23/14; F41C 23/16;
F41C 23/18

USPC D22/108; 362/109–114; 42/90, 94, 114,
42/117, 124–127, 131, 146

See application file for complete search history.

(56) **References Cited**

U.S. PATENT DOCUMENTS

3,890,729	A *	6/1975	Frisoli	42/7
5,048,215	A *	9/1991	Davis	42/72
5,417,002	A *	5/1995	Guerra	42/72
5,946,842	A *	9/1999	Nyzell et al.	42/72
6,173,519	B1	1/2001	Garrett		
6,234,058	B1 *	5/2001	Morgado	89/33.03
7,739,821	B1 *	6/2010	Hamme	42/8
8,051,594	B2 *	11/2011	Carr et al.	42/73
8,196,328	B2 *	6/2012	Simpkins	42/73
8,429,843	B2 *	4/2013	Yan	42/72

8,601,734	B1 *	12/2013	Hopkins et al.	42/73
2006/0123683	A1	6/2006	Garrett et al.		
2009/0031605	A1	2/2009	Robinson		
2009/0193702	A1 *	8/2009	Lin	42/72
2013/0205636	A1 *	8/2013	Shull	42/72

* cited by examiner

Primary Examiner — Michael A Pratt

(74) *Attorney, Agent, or Firm* — QuickPatents; Kevin Prince

(57) **CLAIM**

I claim the ornamental design for a folding firearm handle, as shown and described.

DESCRIPTION

FIG. 1 is a perspective view of a folding firearm handle, showing my new design;

FIG. 2 is a perspective view thereof;

FIG. 3 is a left-side elevational view of FIG. 2;

FIG. 4 is a right-side elevational view of FIG. 2;

FIG. 5 is a front elevational view of FIG. 2;

FIG. 6 is a rear elevational view of FIG. 2;

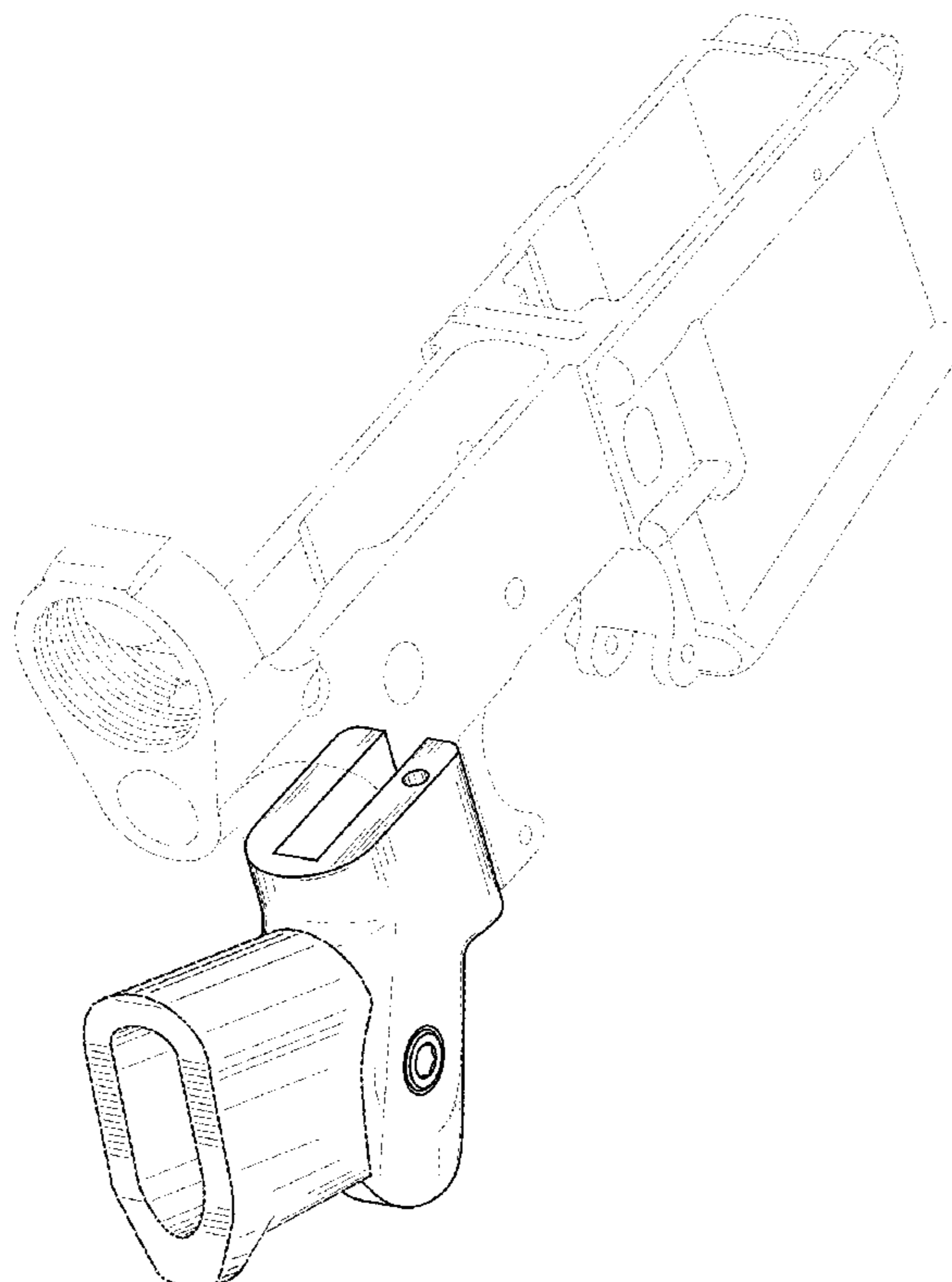
FIG. 7 is a top plan view thereof;

FIG. 8 is a bottom plan view thereof; and,

FIG. 9 is a cross-sectional view thereof, taken along line 9-9 of FIG. 6.

The broken lines showing a portion of a firearm in FIGS. 1 and 2 depict environmental matter and form no part of the claimed design.

1 Claim, 7 Drawing Sheets



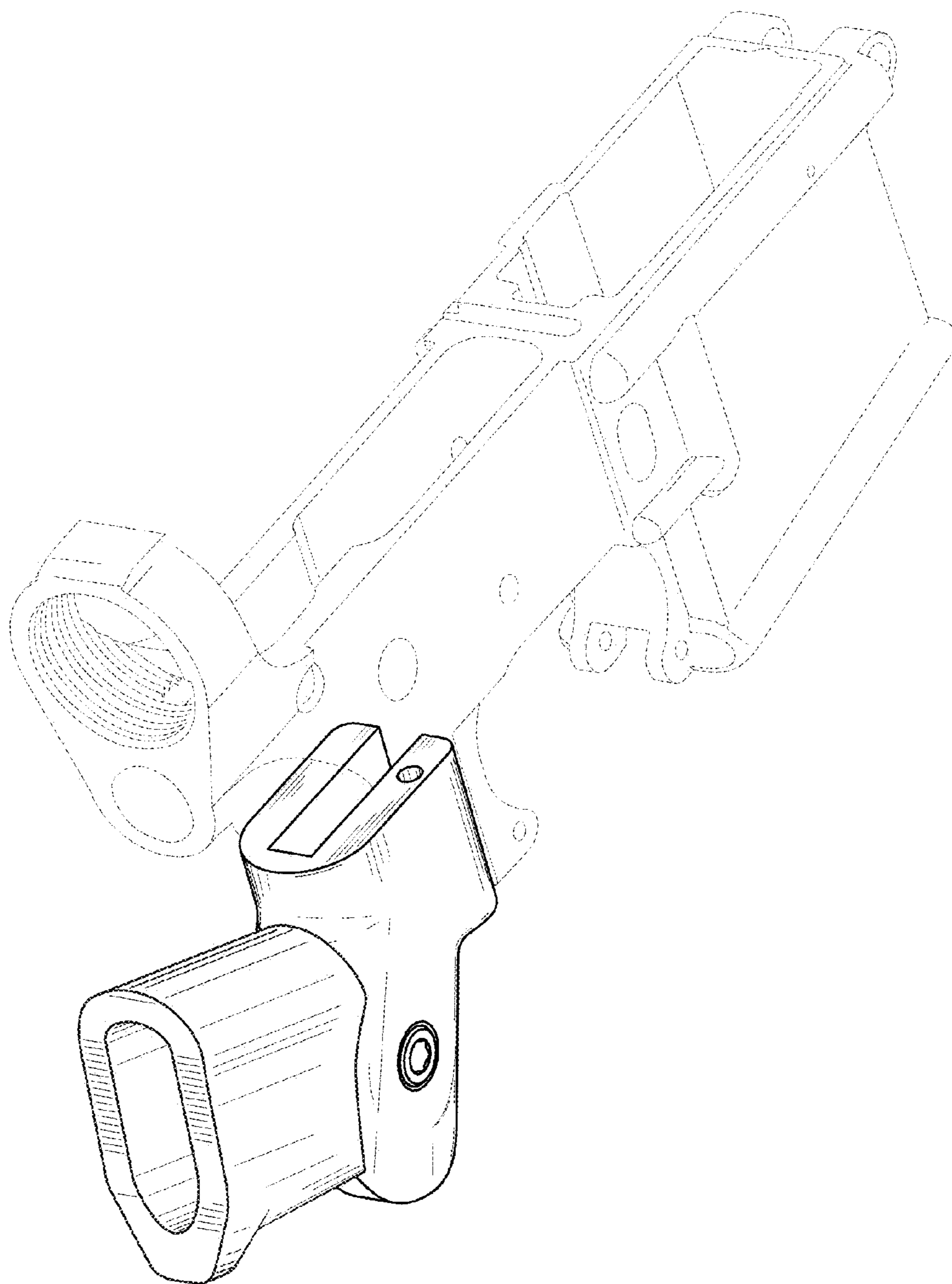


FIG. 1

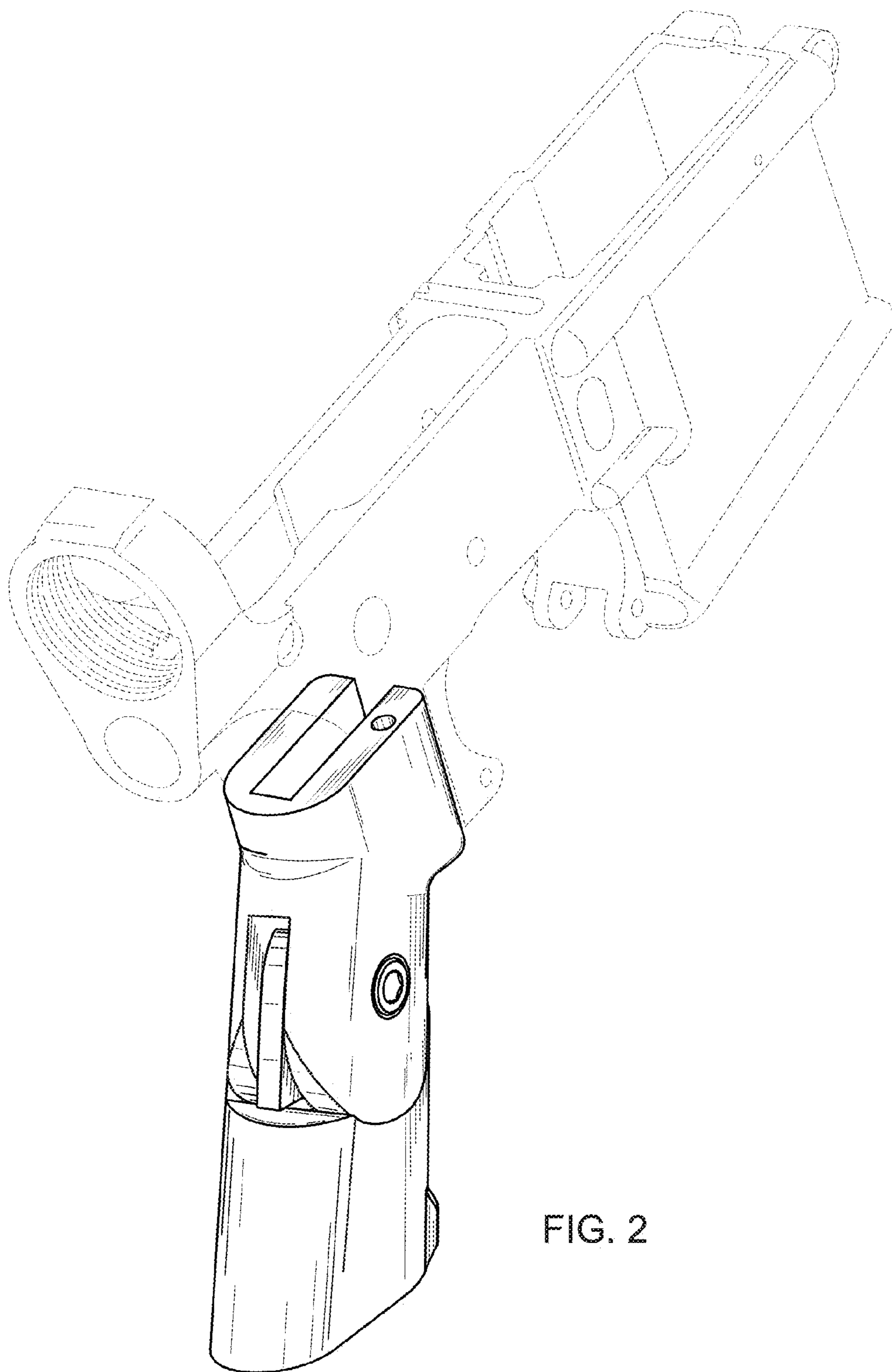


FIG. 2

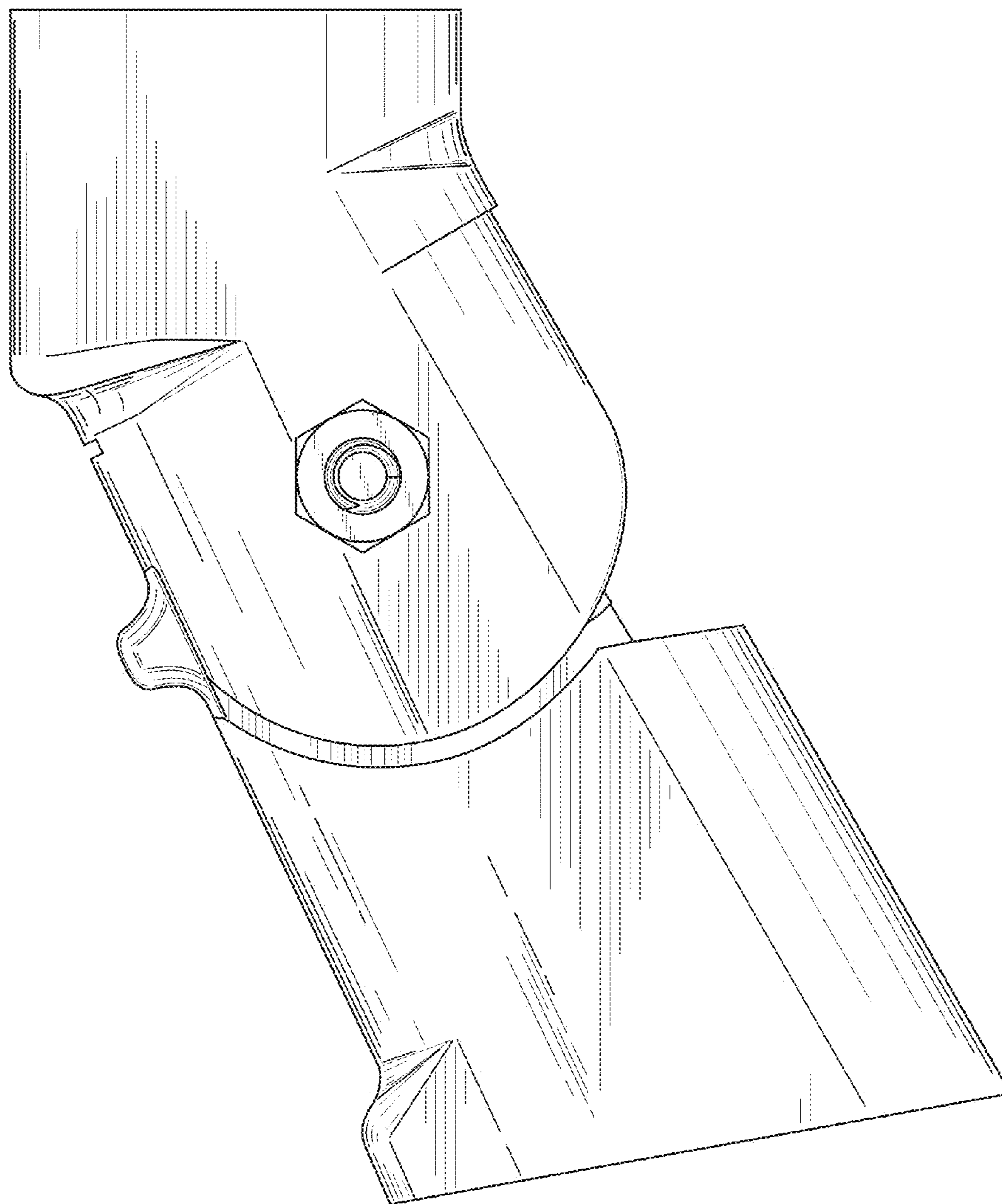


FIG. 3

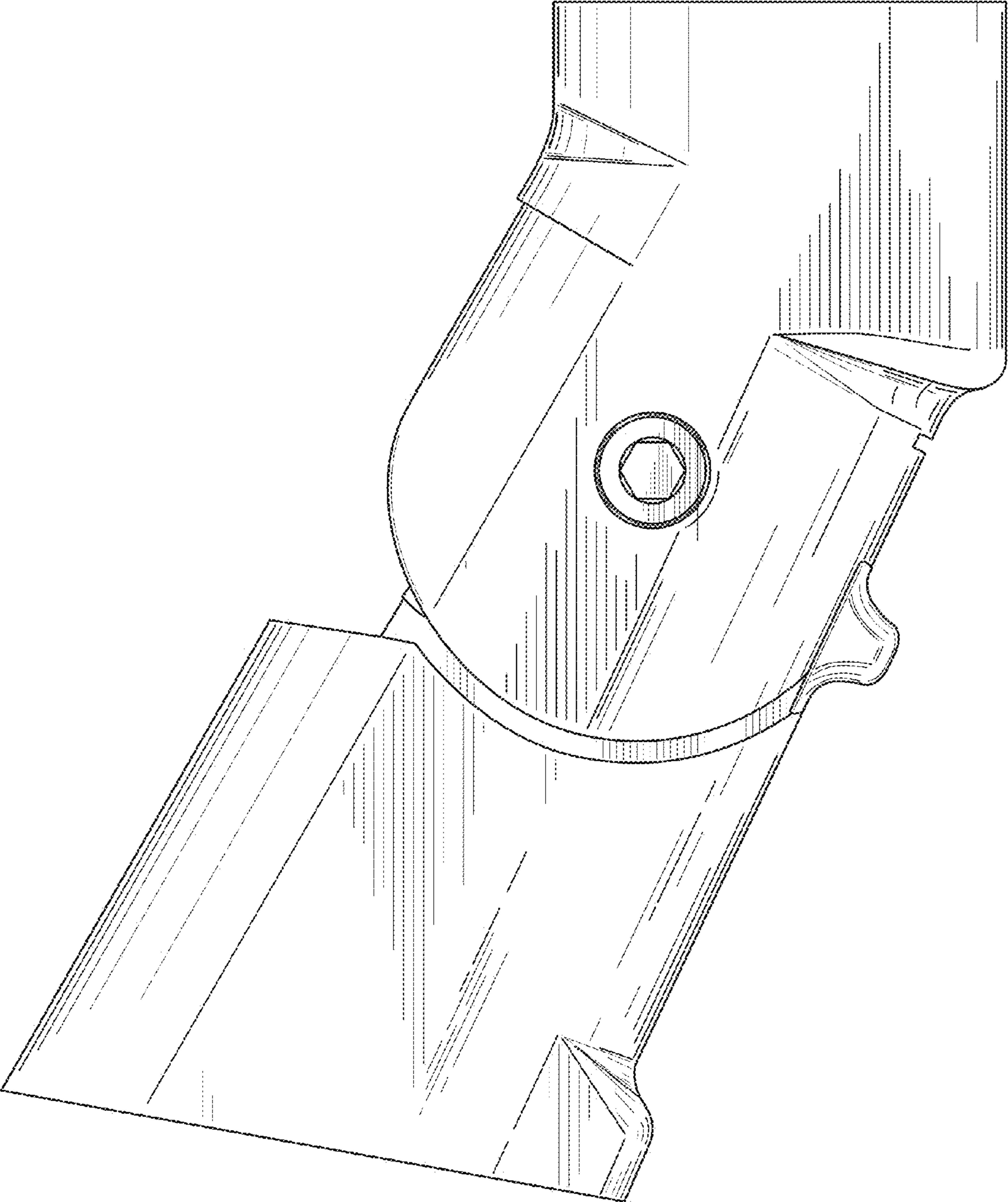


FIG. 4

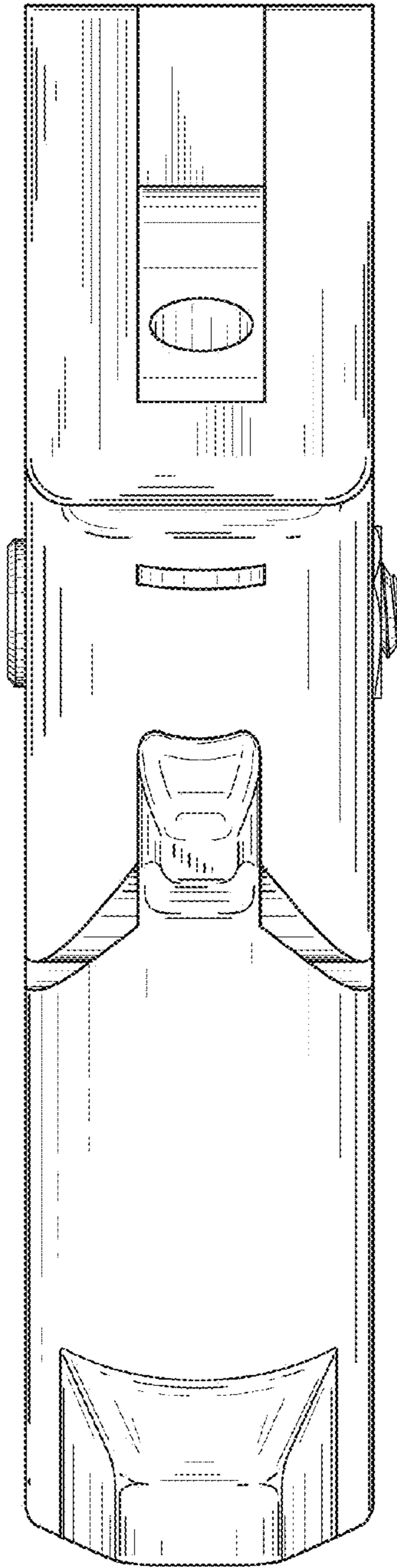


FIG. 5

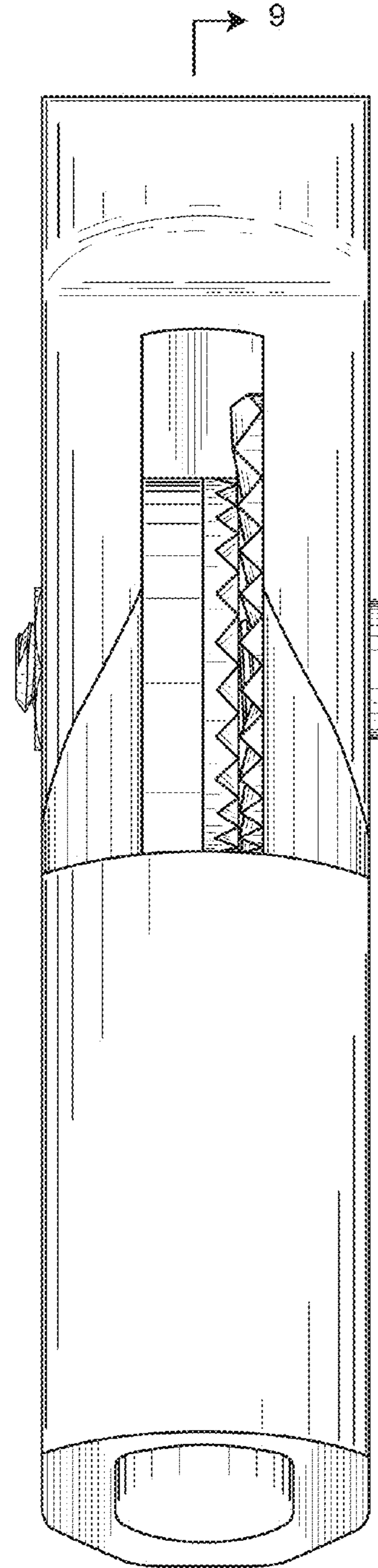


FIG. 6

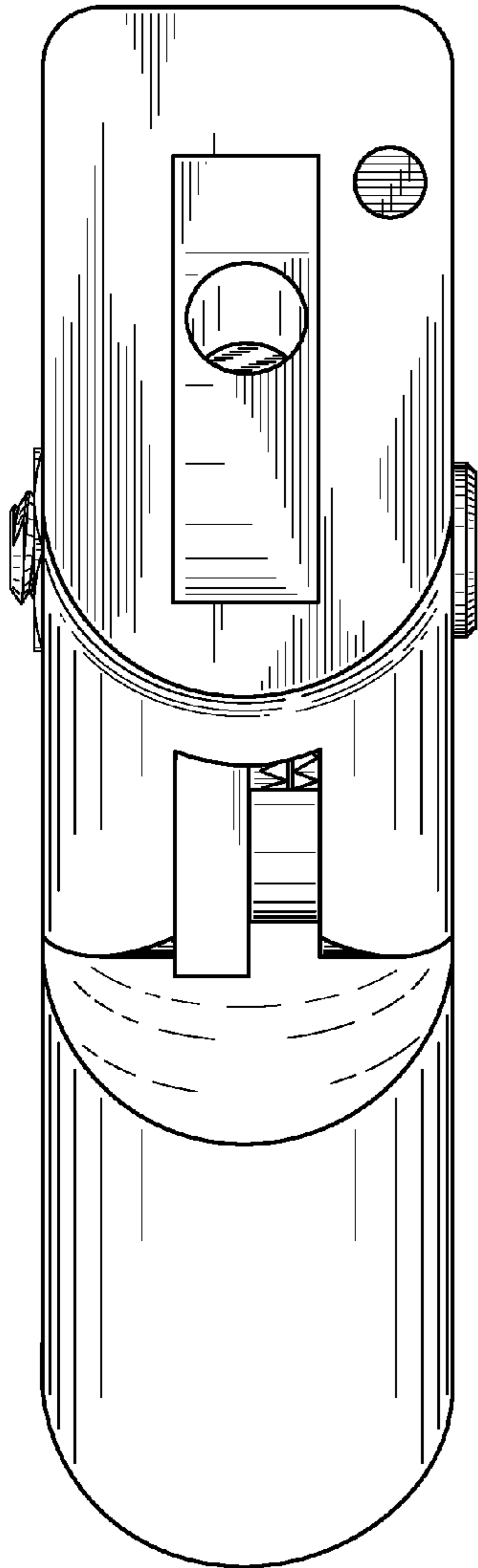


FIG. 7

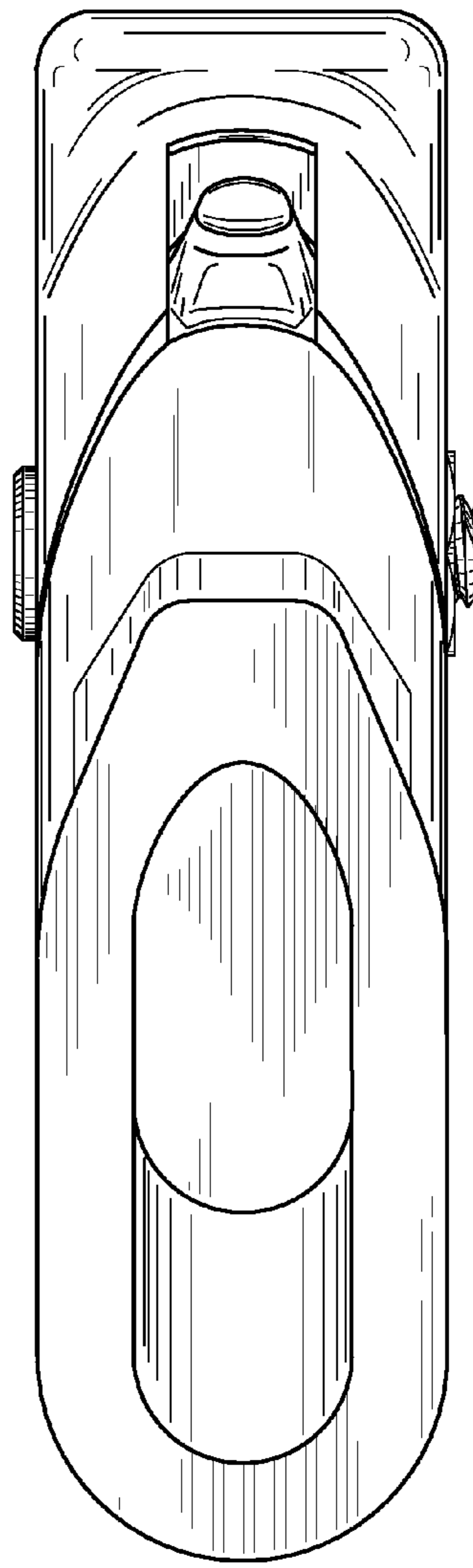


FIG. 8

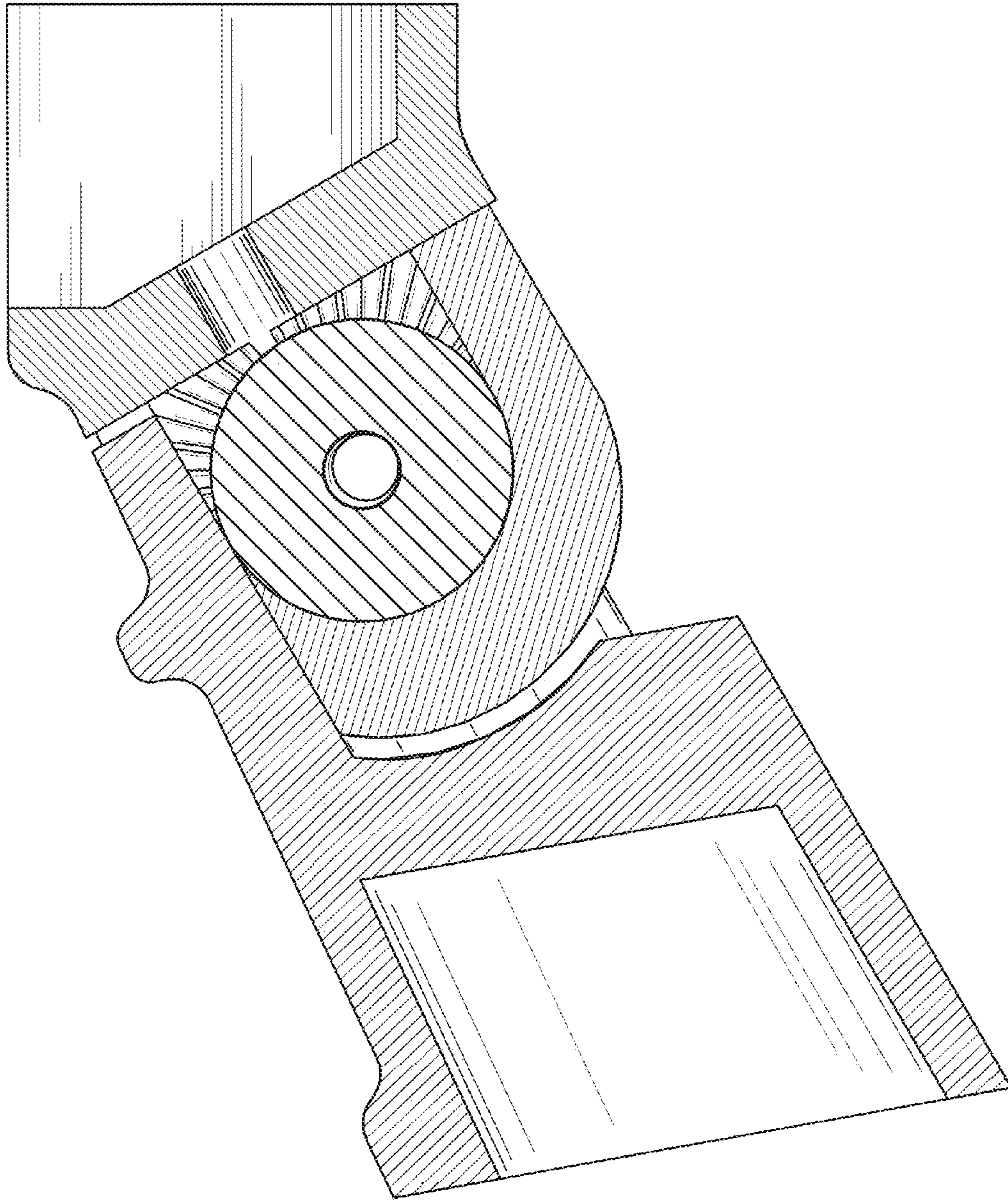


FIG. 9