



US00D717902S

(12) **United States Design Patent**  
**Filippi**

(10) **Patent No.:** **US D717,902 S**

(45) **Date of Patent:** **\*\* Nov. 18, 2014**

(54) **SPEAR TIP COVER**

(71) Applicant: **Jon Filippi**, Riviera Beach, FL (US)

(72) Inventor: **Jon Filippi**, Riviera Beach, FL (US)

(\*\*) Term: **14 Years**

(21) Appl. No.: **29/464,784**

(22) Filed: **Aug. 21, 2013**

(51) **LOC (10) Cl.** ..... **22-01**

(52) **U.S. Cl.**  
USPC ..... **D22/107**

(58) **Field of Classification Search**  
USPC ..... D22/107, 115, 199; 473/582, 578;  
D8/346; 124/25.5, 25.7, 86; 206/315.1,  
206/315.11; 43/6; 403/349  
See application file for complete search history.

(56) **References Cited**

**U.S. PATENT DOCUMENTS**

1,554,653	A *	9/1925	Poole	.....	473/585
3,110,336	A *	11/1963	Sukala, Jr.	.....	150/154
D419,765	S *	2/2000	Rodgers et al.	.....	D3/254
7,434,684	B1 *	10/2008	Mabra	.....	206/315.11
8,147,360	B2 *	4/2012	Simo et al.	.....	473/583

\* cited by examiner

*Primary Examiner* — Michael A Pratt

(74) *Attorney, Agent, or Firm* — McHale & Slavin, P.A.

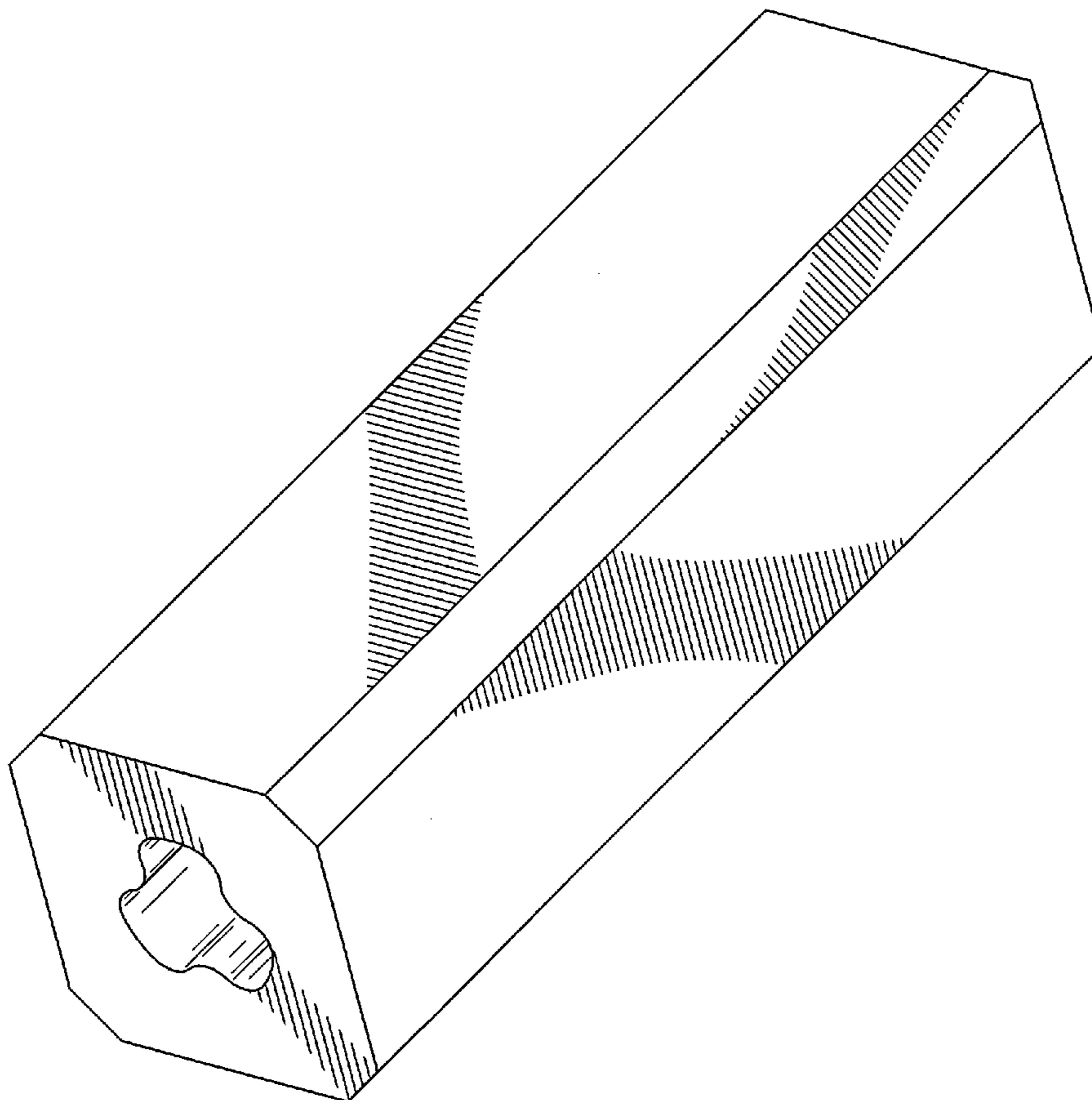
(57) **CLAIM**

The ornamental design for a spear tip cover, as shown and described.

**DESCRIPTION**

FIG. 1 is a rear left perspective view of the spear tip cover of the present invention;  
 FIG. 2 is a front right perspective view thereof;  
 FIG. 3 is a top view thereof;  
 FIG. 4 is a bottom view thereof;  
 FIG. 5 is a right side view thereof;  
 FIG. 6 is a left side view thereof;  
 FIG. 7 is a rear view thereof;  
 FIG. 8 is a front view thereof;  
 FIG. 9 is an environmental view illustrating the spear tip cover in cooperation with a spear; and,  
 FIG. 10 is a partial environmental view taken along lines 10-10 of FIG. 9 illustrating the spear tip cover in cooperation with a spear.  
 The portions of the Figures illustrated in broken lines form no part of the claimed subject matter.

**1 Claim, 9 Drawing Sheets**



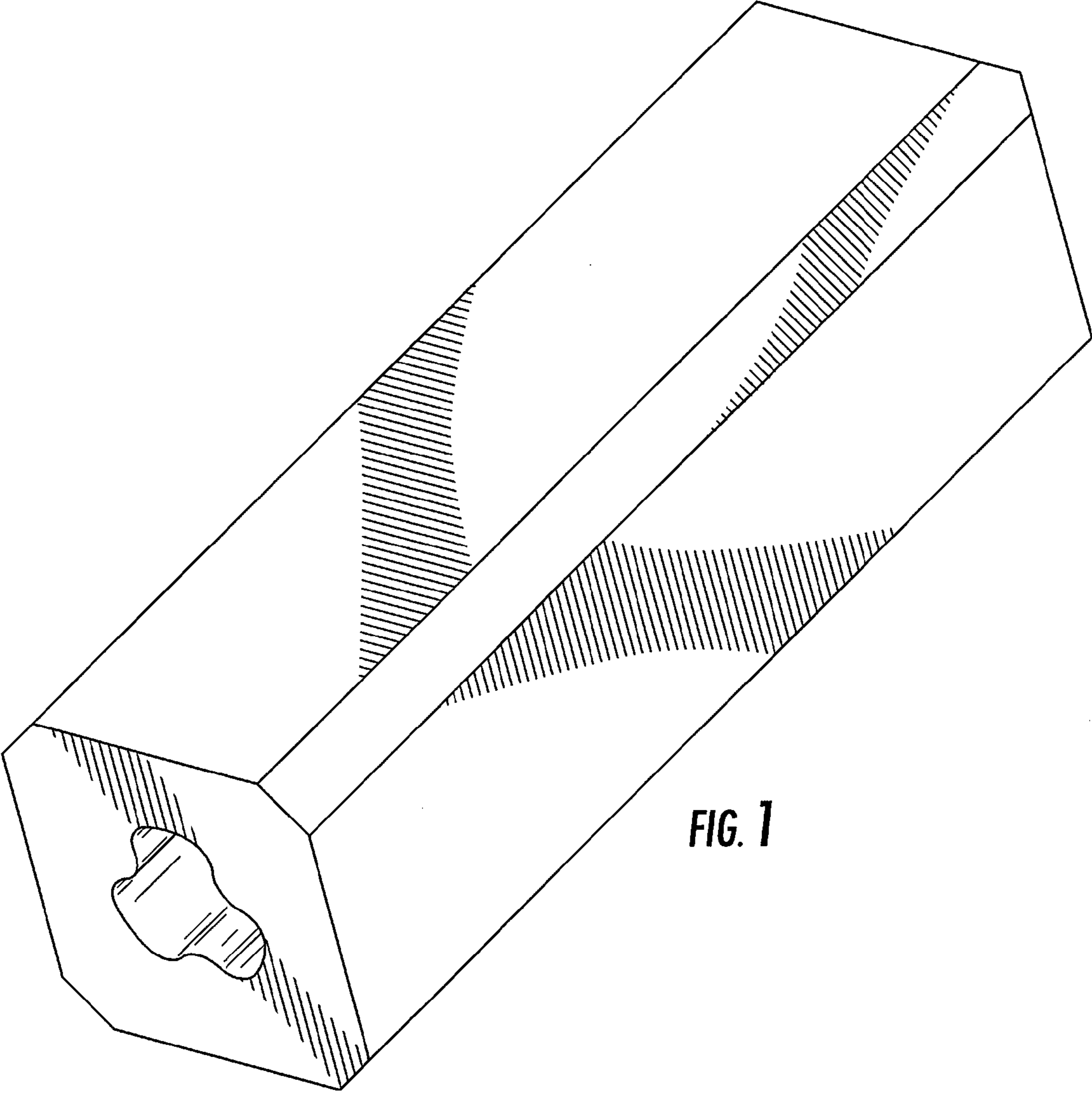


FIG. 1

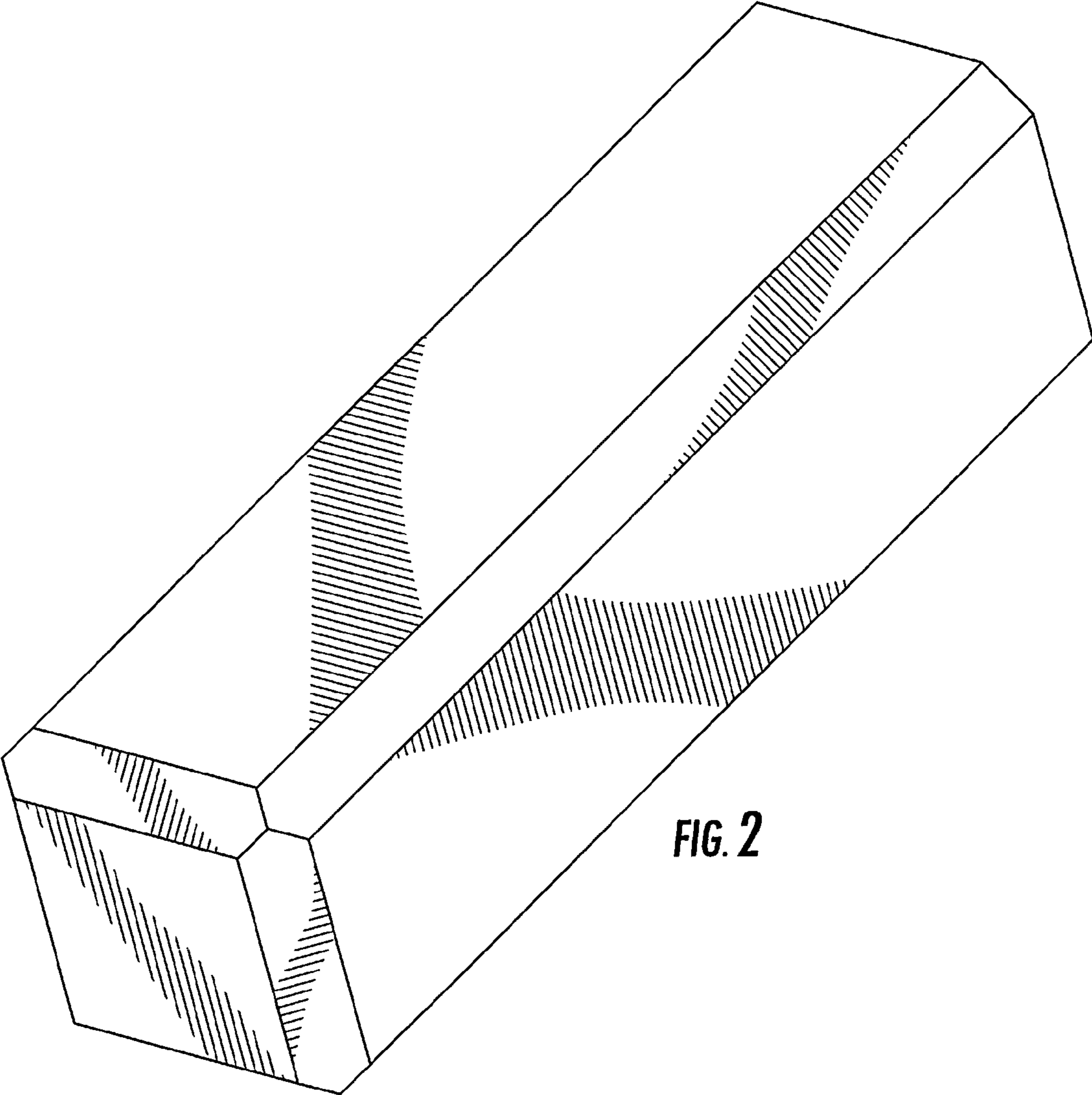


FIG. 2

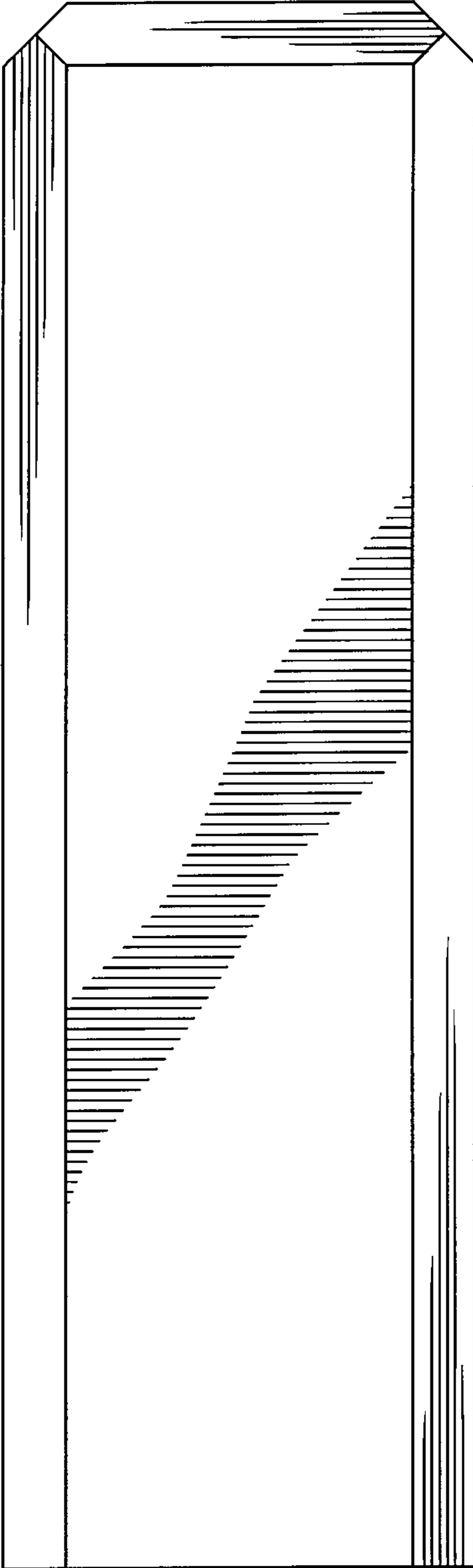


FIG. 3

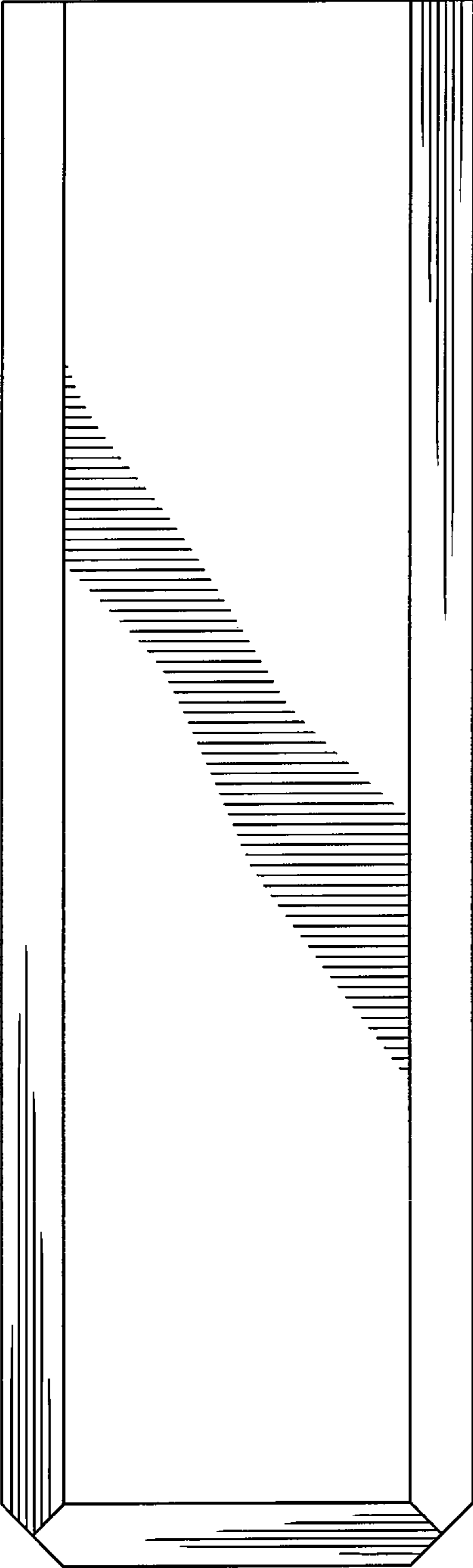


FIG. 4

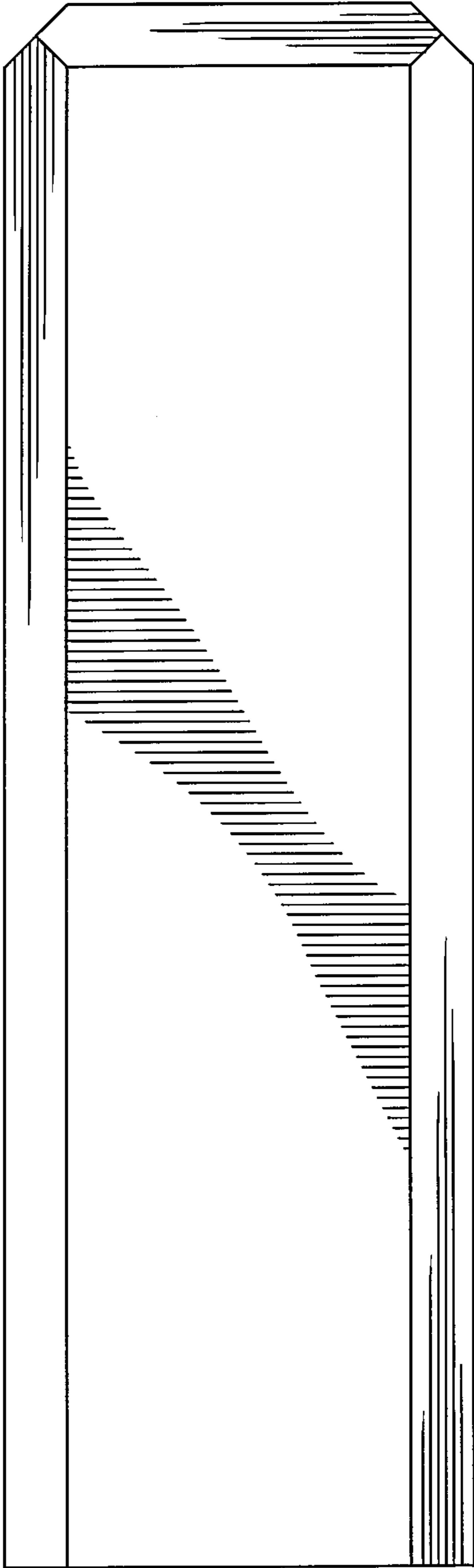


FIG. 5

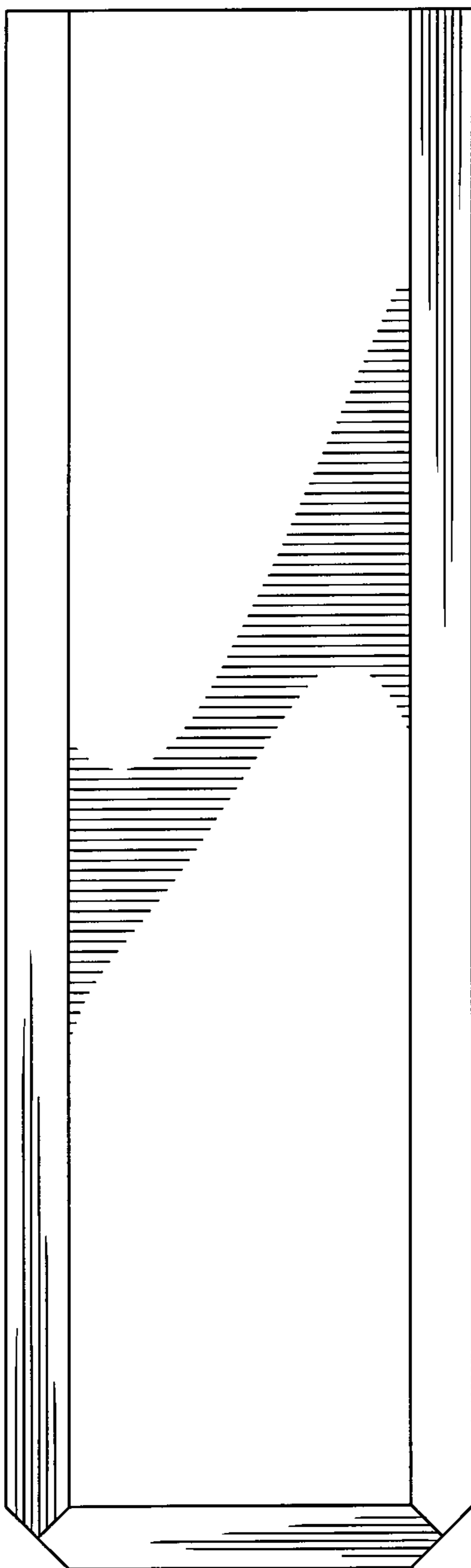
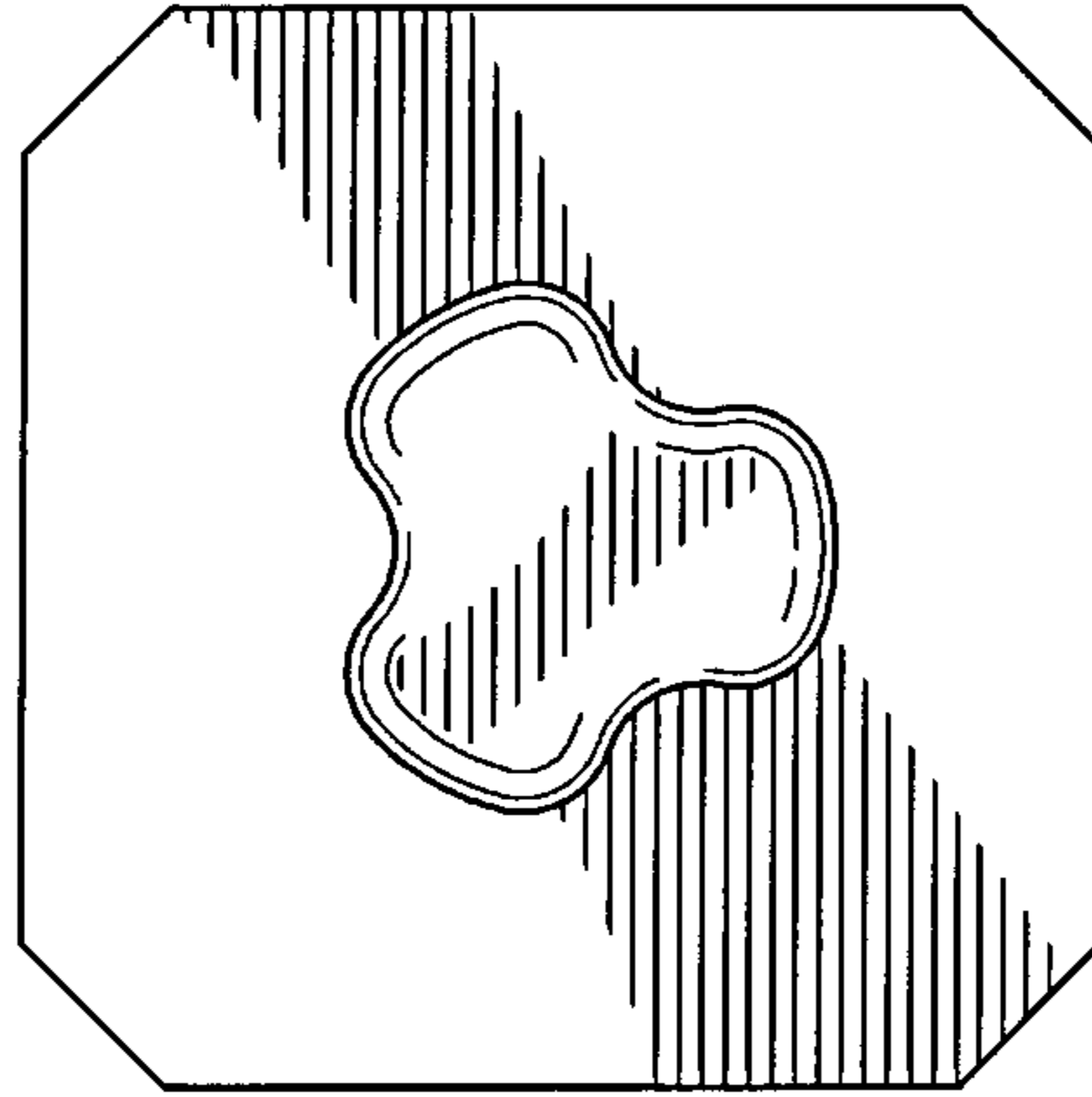
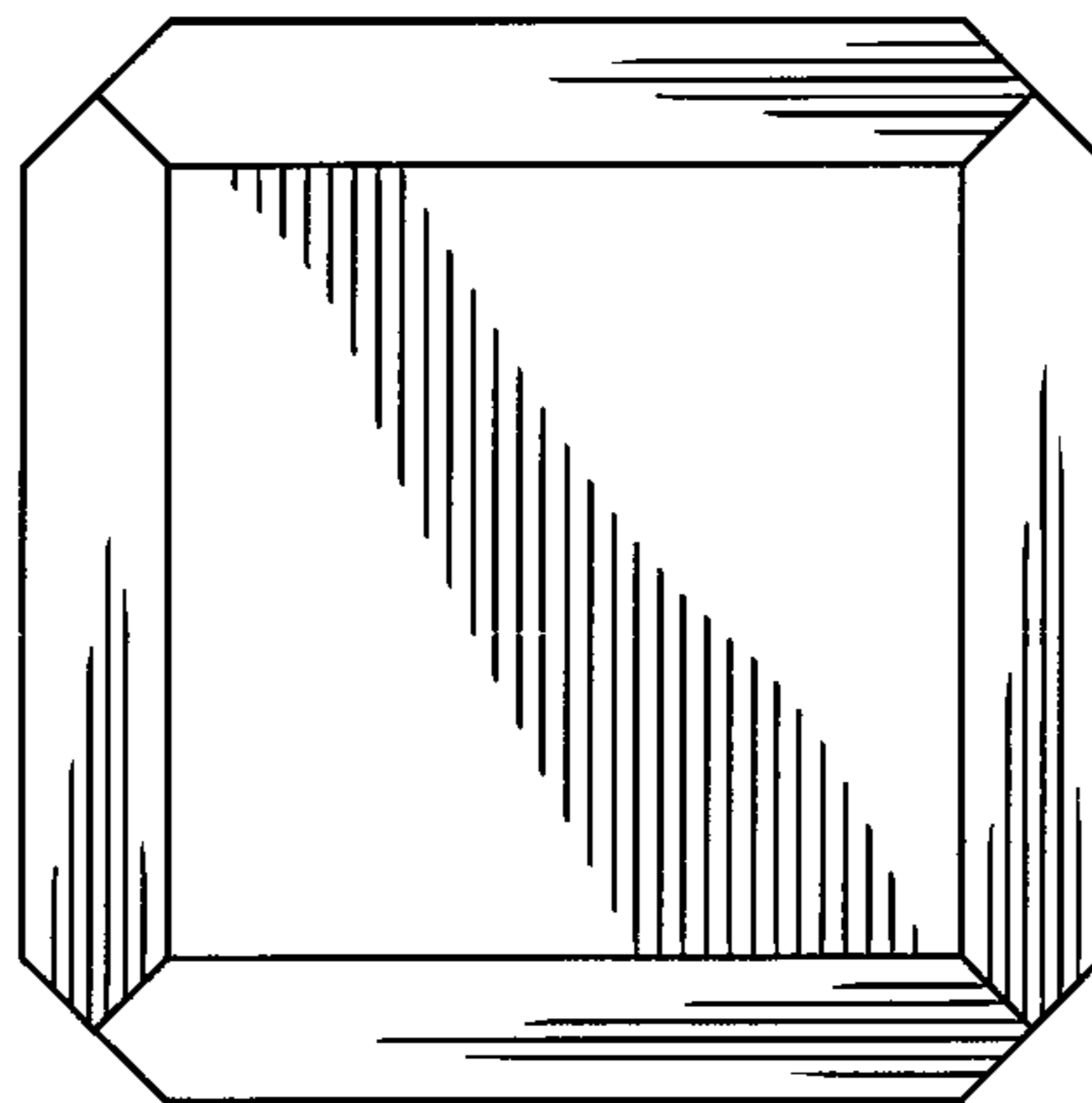


FIG. 6

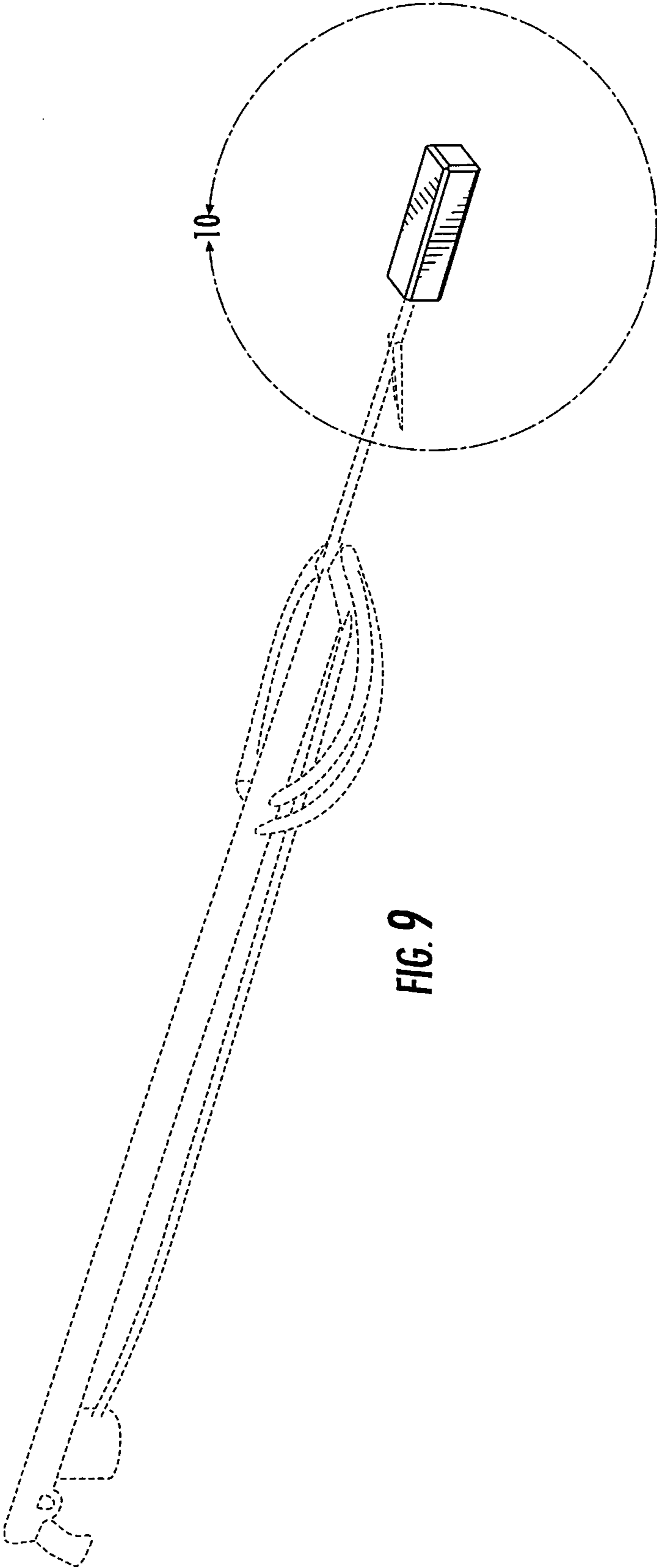


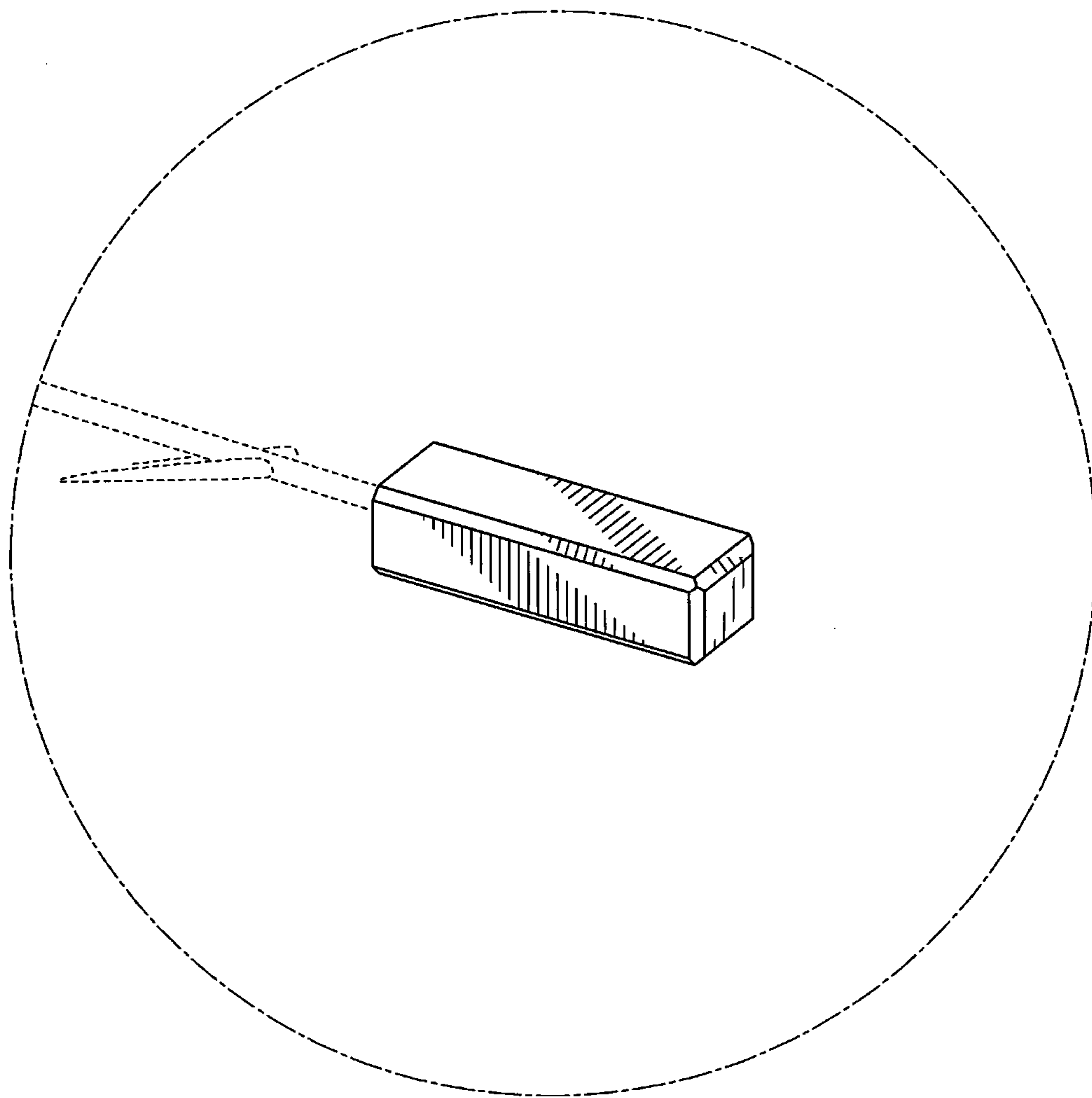
**FIG. 7**



**FIG. 8**







**FIG. 10**